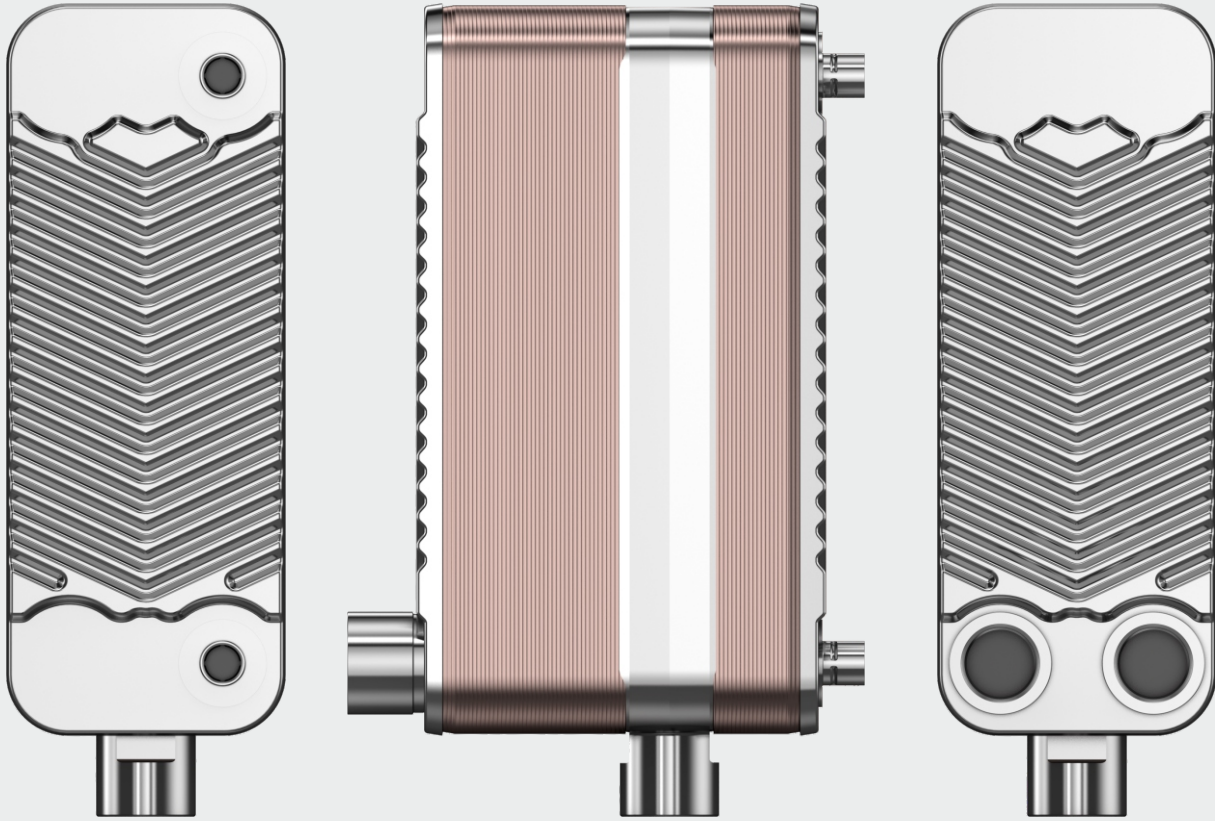


# ADWIS 5 | G2



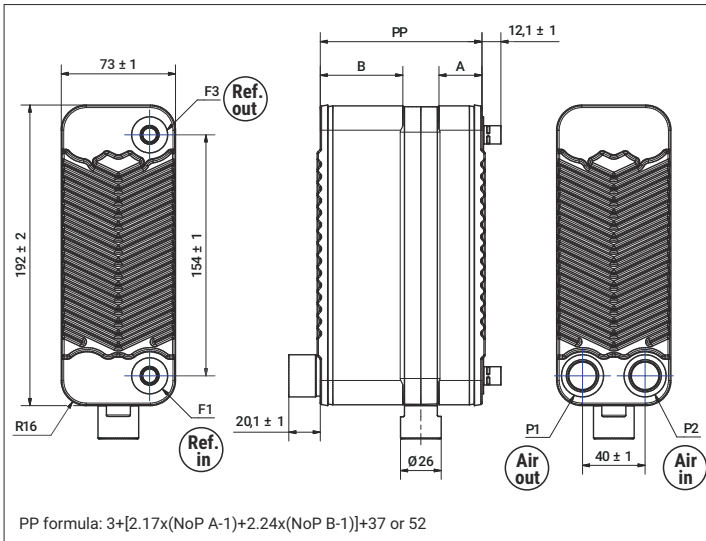
The original ADWIS just got greater: the new 5-series integrates AsyMatrix® technology on the refrigerant-to-air side, reducing the increasingly expensive refrigerant charge while maintaining a low pressure drop on the air-side. This robust yet cost-effective solution is suitable for flow rates of up to 100 Nm<sup>3</sup>/h in a very compact envelope. Other advantages include stable high performance, convenient drainage and high drying efficiency.

CHALLENGE EFFICIENCY

avrora-arm.ru  
+7 (495) 956-62-18

**SUPER**  
A DOVER COMPANY

# ADWIS 5 | G2



## Design specification (ISO class 4)

Air side:  $P = 7 \text{ bar(g)}$ ,  $T_{\text{dew}} = 3^\circ\text{C}$ ,  $\Delta P = 20 \text{ kPa}$ ,  
 $T_{\text{in}} = 35^\circ\text{C}$ ,  $T_{\text{out}} = 27^\circ\text{C}$   
 Refrigerant side: R134a,  $T_{\text{evap}} = 0^\circ\text{C}$ , SH = 5K

## Design specification (ISO class 5)

Air side:  $P = 7 \text{ bar(g)}$ ,  $T_{\text{dew}} = 7^\circ\text{C}$ ,  $\Delta P = 40 \text{ kPa}$ ,  
 $T_{\text{in}} = 35^\circ\text{C}$ ,  $T_{\text{out}} = 27^\circ\text{C}$   
 Refrigerant side: R134a,  $T_{\text{evap}} = 0^\circ\text{C}$ , SH = 5K

## Max working pressure

Air side: 18 bar(g) @ 20°C  
 Refrigerant side: 35 bar(g) @ 20°C  
 According to PED

Air side: 22 bar(g)  
 Refrigerant side: 22 bar(g)  
 According to UL

## Material specification

Main parts: Stainless steel  
 Brazing material: Copper

## Separator efficiency rate

Droplets size: 5 μm = 93%; 10 μm = 99,9 %

## Mounting

Stud-bolts available per standard article number: 21727

Article numbers	Air side connections	Refrigerant side connections	Drainage connections
18530*	ISO-G ½" INT	Solder 9,65(DD)	½" INT
18532*	NPT ½"-14 INT	Solder 9,65(DD)	½" INT
18533*	SOLDER 22U	Solder 9,65(DD)	½" INT
18534*	ISO-G ¾" A	Solder 9,65(DD)	½" INT

\* NoP available per each article number: 021, 027, 031, 037, 057

	Model	Flow rate (Nm³/h)	NoP A	NoP B	Refrigerant hold-up volume (dm³) ±3%	Total PP measurement (mm)
ISO class 4	ADWIS 35	- 35	8	13	0,066	82,1
	ADWIS 50	35 - 50	10	17	0,088	95,4
	ADWIS 60	50 - 60	10	21	0,088	104,3
	ADWIS 80	60 - 80	14	23	0,132	132,5
	ADWIS 100	80 - 100	20	37	0,198	176,9
ISO class 5	ADWIS 35	- 65	8	13	0,066	82,1
	ADWIS 50	65 - 85	10	17	0,088	95,4
	ADWIS 60	85 - 95	10	21	0,088	104,3
	ADWIS 80	95 - 115	14	23	0,132	132,5
	ADWIS 100	115 - 150	20	37	0,198	176,9

Flow rate in accordance with ISO 7183 - 20°C and 0 bar(g)

