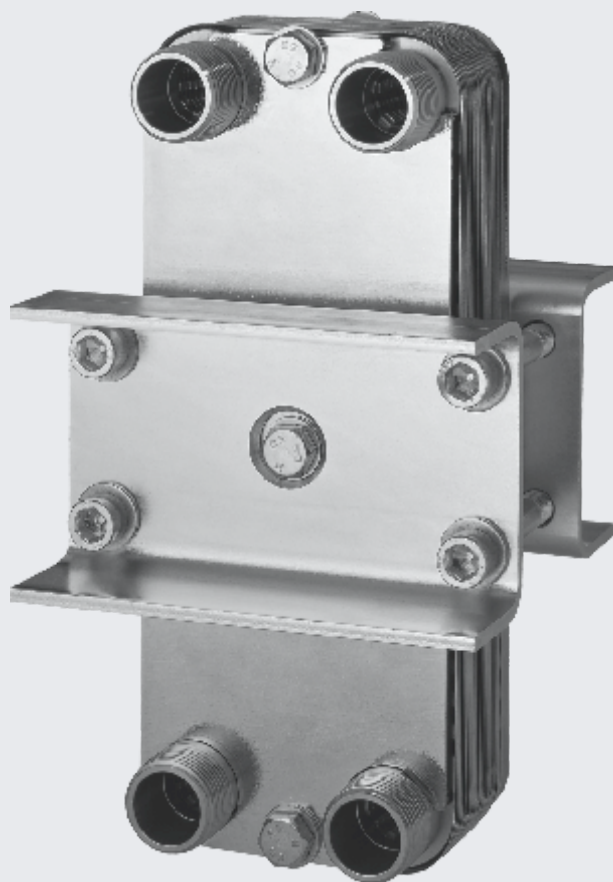


M10 | High-pressure

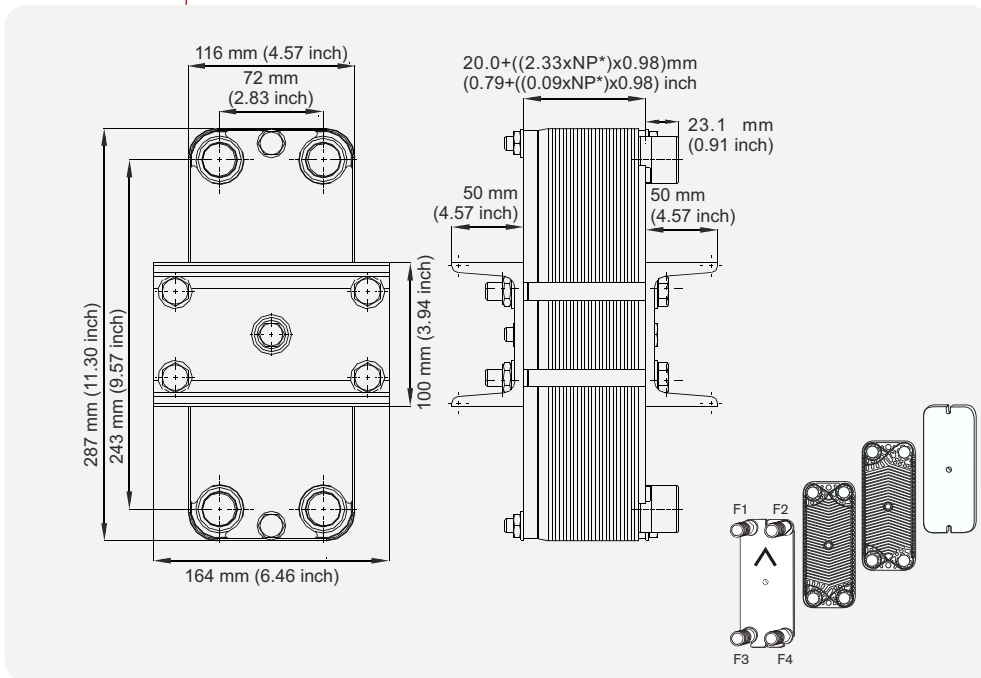


M10 High-pressure is approved for pressures up to 16 bar (232 psi). Thanks to an ingenious basic design, the product combines excellent heat transfer with a compact size despite the use of rubber gaskets. The product is equipped with racks, and the flexible design makes it an excellent choice for many different types of high-pressure applications.

SUPER
A **DOVER** COMPANY

avrorarm.ru
+7 (495) 956-62-18

M10 | High-Pressure



The Minex - our little hybrid

The Minex is a hybrid. It's not brazed like a BPHE. It has the gasket of a PHE (plate-and-frame heat exchanger), but it's small, so it does not need the typical support frame. The gaskets and the plates can be of various materials. Even if a costlier, high-performance metal is required for the heat transfer surface, the front and back plates can be made of baser material to cut costs. The snap-in-place connections allow the use of different metals without the risk of weld deterioration. They also allow easier assembly.

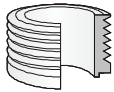
Easy to choose the right product solution

With SWEP's unique SSP BPHE, the SWEP Software Package, you can do advanced heat transfer calculations yourself, and choose the product solution that suits your application best. It's also easy to choose connections and generate drawings of the complete product. If you would like advice, or you would like to discuss different product solutions, SWEP offers all the service and support you need.

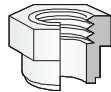
If you would like more information about M10 High Pressure or our other products, please contact your local SWEP representative.

Standard connections

For specific dimensions, or information about other types of connections, please contact your SWEP sales representative.



Externally threaded



Int. Threaded with Hex. Ext.

Technical data

Max flow rate	12 m ³ /h (53 usg/min.)
Max working pressure	16 bar (232 psi)
Max working temperature	100°C (212°F), 115°C (239°F) on water/water applications
Min working temperature	0°C (32°F)
Test pressure	25 bar (363 psi)
Max. Number of plates	60
BPHE weight dry (approx.)	9.6+0.11×NP* kg (21.16+0.243×NP* lb)
Hold-up volume: inner circuit	0.042×(NP*/2-1) litre (0.012×(NP*/2-1) gal.)
Hold-up volume: outer circuit	0.042×(NP*/2) litre (0.012×NP*/2-1 gal.)
Standard connection size	1"
Connection height	33 mm (1.30 inch) or 37 mm (1.46 inch)

*NP = Number of plates

Material

Frame material:	Stainless steel or corrosion protected Carbon steel
Plate material:	EN 10028/7-1.4401 (AISI 316) or Titanium
Gasket material:	Nitrile: NBR(p) or Peroxide cured: EPDM(p)
Connection material:	EN 10272-1.4401 (AISI 316), Carbon steel or Titanium
Reinforcement Beam material:	Stainless steel

For additional information please contact your local SWEP representative.
SWEP reserves the right to make changes without prior notice



avrorarm.ru
+7 (495) 956-62-18