

## Connection head with integrated digital display module

### Model DIH10, standard version

### Model DIH10-Ex, intrinsically safe version

WIKA data sheet AC 80.11



for further approvals  
see page 3

#### Applications

- Machine building and plant construction
- Chemical industry
- Petrochemical industry

#### Special features

- Universal application
- Robust, compact current loop display
- User-friendly configuration
- 7-segment LED display



Connection head with integrated digital display module model DIH10

#### Description

The model DIH10, DIH10-Ex integrated digital display module (digital indicator) is a universal, configurable, current loop display for fitting to electrical thermometers.

The robust, compact display is only applicable where a standard signal of 4 ... 20 mA is already available. When used with the housing versions, it can be an on-site display for the entire industrial sector.

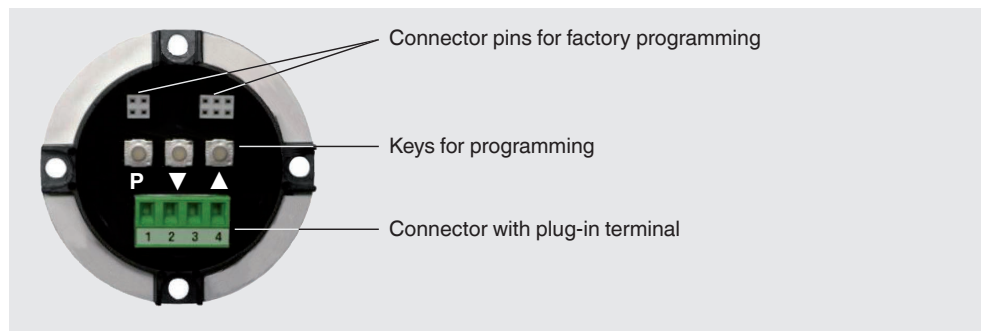
Combined with the ability to rotate the connection head and the large 4-digit, 7-segment LED display is easily readable from any direction. In order to make the electrical connection, the current loop display is simple and easy to open. Buttons provide a user-friendly configuration of the display range.

To operate the connection head with a model DIH10, DIH10-Ex digital display module, a transmitter (4 ... 20 mA) for the measuring point is a precondition.

## Specifications

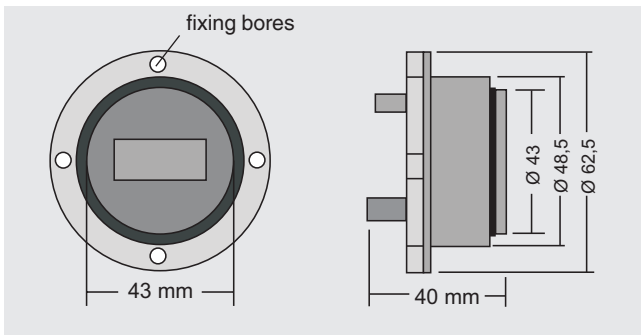
Specifications	Model DIH10, DIH10-Ex (display module)
Current loop	4 ... 20 mA
Input impedance $R_i$ with 20 mA	< 160 $\Omega$ ( $U \leq 3.2$ V)
Voltage drop	< DC 3.2 V at 20 mA Supply via current loop
Resolution	-999 ... 9999 digit
Measuring error	$\pm 0.2$ % measuring range, $\pm 1$ digit
Temperature drift	100 ppm/K
Display principle	LED, rotatable in 90° steps
Display measured value	7-segment, 8 mm high, red, 4-digit = display 9999
Overrange/Underrange	to HI / to LO
Display rate	0.1 s - 1 s - 10 s (adjustable)
Maximum voltage $U_i$	DC 30 V
Maximum current $I_i$	100 mA (only for model DIH10-Ex)
Maximum power $P_i$	1 W (only for model DIH10-Ex)
<b>Permissible temperatures</b>	
Operating temperature	
Model DIH10	0 ... 80 °C
Model DIH10-Ex	0 ... 60 °C
Storage temperature	-20 ... +80 °C
<b>Dimensions</b>	$\varnothing$ 43.0 / 48.5 / 62.5 mm x 37 mm
<b>Housing material</b>	Polycarbonate
<b>Ingress protection</b>	
Front	IP67
Connection	IP20 or IP00
<b>Weight</b>	approx. 55 g
<b>Electrical connection</b>	Plug-in terminal, up to 1.5 mm <sup>2</sup> open cable ends
<b>Programmable features</b>	<ul style="list-style-type: none"> <li>■ Scale range</li> <li>■ Display time</li> <li>■ Decimal point</li> <li>■ Unit (°C/°F)</li> <li>■ Zero point stabilisation</li> <li>■ Programming lock</li> <li>■ Interpolating points</li> <li>■ TAG number</li> </ul>

### Display module, operator side

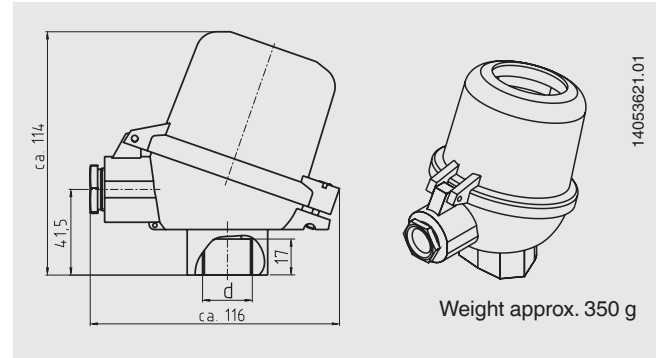


## Dimensions in mm

### Display module



### Connection head "Standard", connection head BSZ-H Model DIH10-Z-\*A (with DIH10), DIH10-Y-\*A (with DIH10-Ex)



#### Connection head BSZ-H (standard)

<b>Connection to thermometer d</b>	<ul style="list-style-type: none"> <li>■ M24 x 1.5</li> <li>■ ½ NPT</li> </ul>
<b>Material</b>	Aluminium blue, lacquered <sup>1)</sup>
<b>Cable gland</b>	<ul style="list-style-type: none"> <li>■ 1 x M20 x 1.5</li> <li>■ 1 x ½ NPT</li> </ul>
<b>Ingress protection</b>	IP65 (option: IP67)

1) RAL 5022

## Approvals

Logo	Description	Country
	<b>EU declaration of conformity</b> <ul style="list-style-type: none"> <li>■ EMC directive</li> <li>EN 61326 emission (group 1, class A) and interference immunity (industrial application)</li> <li>■ ATEX directive (model DIH10-Ex)</li> <li>Hazardous areas</li> </ul>	European Community
	<b>EAC (option)</b> <ul style="list-style-type: none"> <li>■ Electromagnetic compatibility</li> <li>■ Hazardous areas</li> </ul>	Eurasian Economic Community
	<b>KazInMetr (option)</b> Metrology, measurement technology	Kazakhstan
-	<b>MTSCHS (option)</b> Permission for commissioning	Kazakhstan

## Certificates (option)

- 2.2 test report
- 3.1 inspection certificate
- DKD/DAkkS calibration certificate

Approvals and certificates, see website