

OEM float switch

Miniature design, vertical installation

Model RLS-7000

WIKA data sheet LM 50.11

Applications

- Limit level measurement in machine building
- Dry run monitoring in mobile working machines
- Monitoring of hydraulic power packs and chillers
- Overfill measurement in water technology
- Specifically developed for OEM customers
(minimum lot size: 50 pieces)

Special features

- From customisation to design-in solution
- Low variance by local adjustment of the normally open/ normally closed switching function via rotation of the float
- Various materials and up to 10^9 switching cycles guarantee a long service life



OEM float switch, model RLS-7000

Description

The model RLS-7000 is a small and economical float switch with a single switch point, designed specifically for the needs of OEM customers. With its compact dimensions, it is particularly suitable for monitoring dry running or the overfilling of small tanks. The miniature float switch from plastic combines solid performance with high mechanical robustness and an attractive price.

Tailored to your machines

To ensure that the model RLS-7000 float switch is perfectly matched to the application on site, WIKA offers design-in solutions. Whether customer-specific tank connection, individualised electrical connections or designs: We adapt the model RLS-7000 for original equipment manufacturers to their respective requirements. This minimises the effort and cost of installation and maintenance, with maximum safety and compatibility.

Change of function through 180° rotation

The reduction of variance and thus logistical effort is central in OEM production. For this reason, the model RLS-7000 miniature float switch, by rotating it through 180°, can be alternated from a normally open into a normally closed contact. Thus there is no need to keep a second float switch in stock.

Maximum reliability at a minimum cost

The model RLS-7000 is available in a variety of chemically resistant and robust plastics with very low water absorption. In addition, high-quality reed contacts guarantee up to one billion switching cycles, depending on the application. The use of the float switch is highly efficient in a multitude of applications thanks to its long-term, reliable performance and low "total cost of ownership".

Specifications

| Float switch, model RLS-7000 | | |
|---|---|-----------------------------------|
| Measurement principle | Potential-free switching reed contact is triggered by a magnet in the float. | |
| Output signal | 1 switch point | |
| Switching function ¹⁾ | Normally open (NO) - on rising level Can be used as normally closed (NC) contact by a 180° rotation of the float | |
| Switching power | AC 230 V; 10 VA; 0.5 A; 50 ... 60 Hz DC 230 V; 10 W; 0.5 A | |
| Accuracy | ≤ 3 mm switch point accuracy incl. hysteresis, non-repeatability | |
| Mounting position | ±30° | |
| Material | | |
| Wetted | <ul style="list-style-type: none"> ■ Polypropylene (PP) ■ Polyamide PA6.6 ■ Polyamide PA12 | |
| Non-wetted | PVC | |
| Permissible temperatures | Polypropylene (PP) | Polyamide PA6.6 |
| Medium | -25 ... +80 °C [-13 ... +176 °F] | -25 ... +100 °C [-13 ... +212 °F] |
| Ambient | -25 ... +80 °C [-13 ... +176 °F] | -25 ... +100 °C [-13 ... +212 °F] |
| Storage | -25 ... +80 °C [-13 ... +176 °F] | -25 ... +80 °C [-13 ... +176 °F] |
| Operating pressure | ≤ 4 bar [≤ 58.0 psi] | |
| Density | | |
| Polypropylene (PP) | ≥ 700 kg/m ³ [43.7 lbs/ft ³] | |
| Polyamide PA6.6 | ≥ 750 kg/m ³ [46.8 lbs/ft ³] | |

1) Change-over contact on request

| Electrical connections | Ingress protection per IEC/EN 60529 | Protection class | Material | Cable length |
|------------------------|-------------------------------------|------------------|----------|--------------|
| Cable outlet | IP67 | II | PVC | 1 m [3.3 ft] |

Other lengths and materials as well as M8 x 1 connector on request

Connection diagram



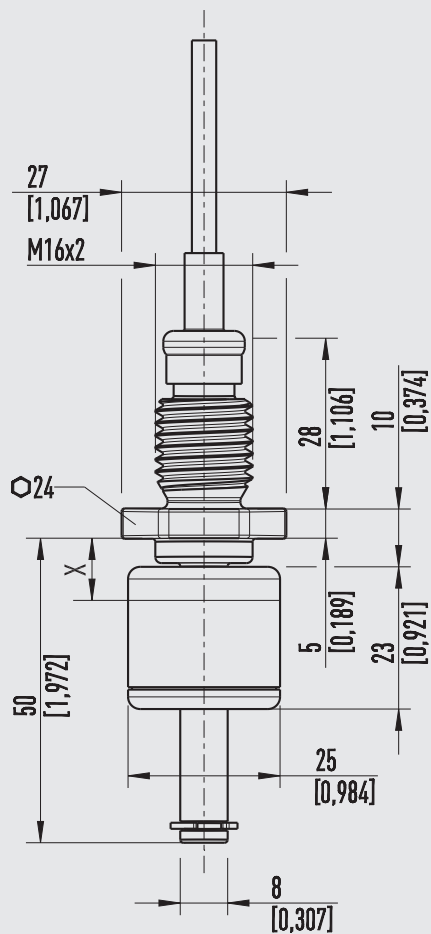
Legend

WH White

BN Brown

Dimensions in mm [in]

with M16 x 2 circular connector, installation from inside



Switch points

| Switching function | Medium | Switch point X |
|-------------------------------|--------|----------------|
| Normally open ¹⁾ | Water | Approx. 17 mm |
| | Oil | Approx. 12 mm |
| Normally closed ¹⁾ | Water | Approx. 28 mm |
| | Oil | Approx. 23 mm |

1) Normally closed/normally open switching function depends on the mounting direction of the mounted float

Option

Angled version on request



Approvals

| Logo | Description | Country |
|---|--|----------------|
|  | EU declaration of conformity <ul style="list-style-type: none">■ Low voltage directive■ RoHS directive | European Union |

Manufacturer's information and certificates

| Logo | Description |
|------|----------------------|
| - | China RoHS directive |

Approvals and certificates, see website

Order numbers

| Model | Order number |
|---|--------------|
| Float switch from polypropylene (PP) 1 m cable from PVC | 14319870 |
| Float switch from polyamide PA6.6 1 m cable from PVC | 14319872 |

Lot size: 50 pieces

Ordering information

To order the described product the order number is sufficient.