

Differential pressure gauge with electrical output signal

Model A2G-15

WIKA data sheet PV 17.40



for further approvals see
page 3



Applications

- Differential pressure monitoring for filters
- Pressure monitoring for ventilators
- Overpressure monitoring for clean rooms and also under- and overpressure monitoring for laboratories and operating rooms

Special features

- Electrical output signal DC 0 ... 10 V (3-wire) or 4 ... 20 mA (2-wire)
- Simple and fast mounting via threaded bezel
- Separated construction of measuring chamber and display area
- Integrated sealing element for direct mounting in a ventilation duct or instrument panel
- Available as a built-in or add-on version



Differential pressure gauge with electrical output signal, add-on version, model A2G-15

Description

The model A2G-15 differential pressure gauge with electrical output signal is used for monitoring the differential pressure in ventilation and air-conditioning applications. The measuring ranges cover from 0 ... 100 Pa to 0 ... 6,000 Pa. Plus/minus ranges can be fulfilled from -50 ... +50 Pa to -1,500 ... +1,500 Pa.

Electrical output signals for both measurands (DC 0 ... 10 V or 4 ... 20 mA) enable the direct connection to control systems or the building automation system.

The separated construction of the measuring chamber and display area ensures that impurities from the process air do not settle on the back of the window.

The differential pressure gauge is available in IP54 and IP65 ingress protection as well as two different mounting versions.

Built-in version

The built-in version with threaded bezel is notable for its fast and tool-free mounting. The built-in case features two back mount connections with a G 1/8 female thread, into which matching threaded pressure connections are screwed.

Add-on version

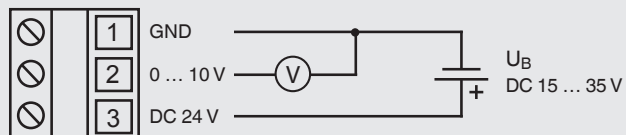
With the add-on version, the add-on case is attached with three screws and then the pressure measuring system is fitted into the case. The add-on case features two lower-mount connections with a G 1/8 female thread, into which matching threaded pressure connections are screwed. The position of each connection can be altered through 90° by rotating the add-on case.

Specifications

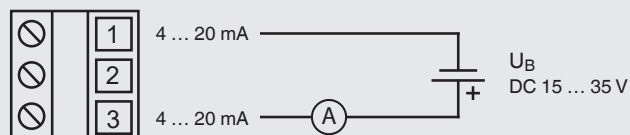
Differential pressure gauge with electrical output signal, model A2G-15	
Version	<ul style="list-style-type: none"> ■ Standard version ■ Silicone-free version
Nominal size in mm	110
Measuring range	<ul style="list-style-type: none"> ■ 0 ... 100 Pa to 0 ... 6,000 Pa ■ -50 ... +50 Pa to -1,500 ... +1,500 Pa Other plus/minus ranges on request
Unit	<ul style="list-style-type: none"> ■ Pa ■ kPa ■ inWC ■ mmWC ■ mbar
Scale	<ul style="list-style-type: none"> ■ Single scale ■ Dual scale
Accuracy class	
Span \geq 250 Pa	3.0
Span 101 ... 249 Pa	5.0
Span \leq 100 Pa	10.0
Process connection	G 1/8 female Threaded pressure connection for measuring hoses with inner diameter 4 ... 6 mm (see "Accessories")
Movement	Contact-free transmission (SWISS MOVEMENT)
Output signal	<ul style="list-style-type: none"> ■ DC 0 ... 10 V, 3-wire ■ 4 ... 20 mA, 2-wire
Supply voltage U_B	DC 15 ... 35 V
Electrical connection	Cable gland M12
Materials	
Case components	<ul style="list-style-type: none"> ■ Plastic, glass-fibre reinforced ■ Without
Separating diaphragm	<ul style="list-style-type: none"> ■ Silicone ■ EPDM (with silicone-free version)
Window	Polycarbonate (UV stabilised)
Dial	Aluminium
Pointer	Plastic, black
Mark pointer	<ul style="list-style-type: none"> ■ Without ■ Plastic, red
Medium	<ul style="list-style-type: none"> ■ Air ■ Non-flammable and non-aggressive gases
Permissible temperature	
Medium	-16 ... +50 °C [-3 ... +122 °F]
Ambient	-30 ... +80 °C [-22 ... +176 °F]
Max. working pressure (static pressure)	20 kPa
Ingress protection per IEC/EN 60529	<ul style="list-style-type: none"> ■ IP54 ■ IP65
Weight (pressure measuring system)	255 g

Electrical connection





DC 0 ... 10 V, 3-wire



4 ... 20 mA, 2-wire



Approvals (option)

Logo	Description	Country
	EAC Import certificate	Eurasian Economic Community
	GOST Metrology, measurement technology	Russia
	KazInMetr Metrology, measurement technology	Kazakhstan
-	MTSCHS Permission for commissioning	Kazakhstan
	UkrSEPRO Metrology, measurement technology	Ukraine

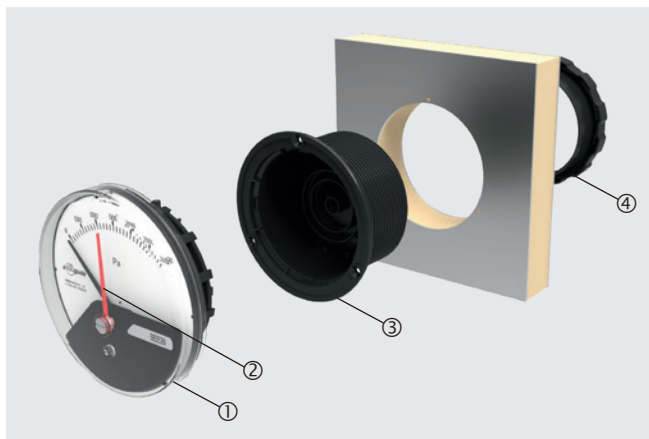
Certificates (option)

- Measurement report per EN 837
- 2.2 test report per EN 10204
- 3.1 inspection certificate per EN 10204

Approvals and certificates, see website

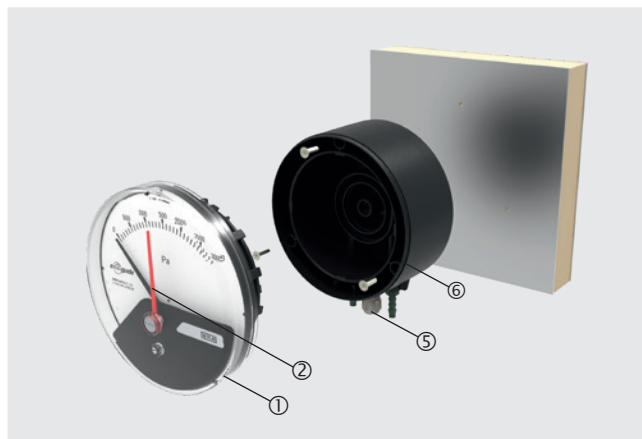
Mounting versions

Built-in version ¹⁾



1) For wall thicknesses 1 ... 70 mm

Add-on version

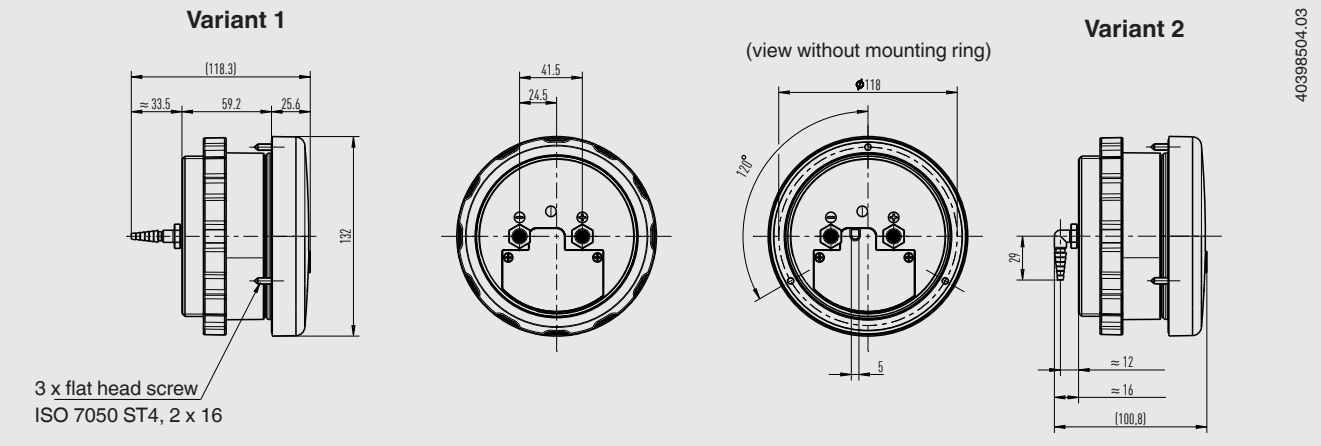


Legend

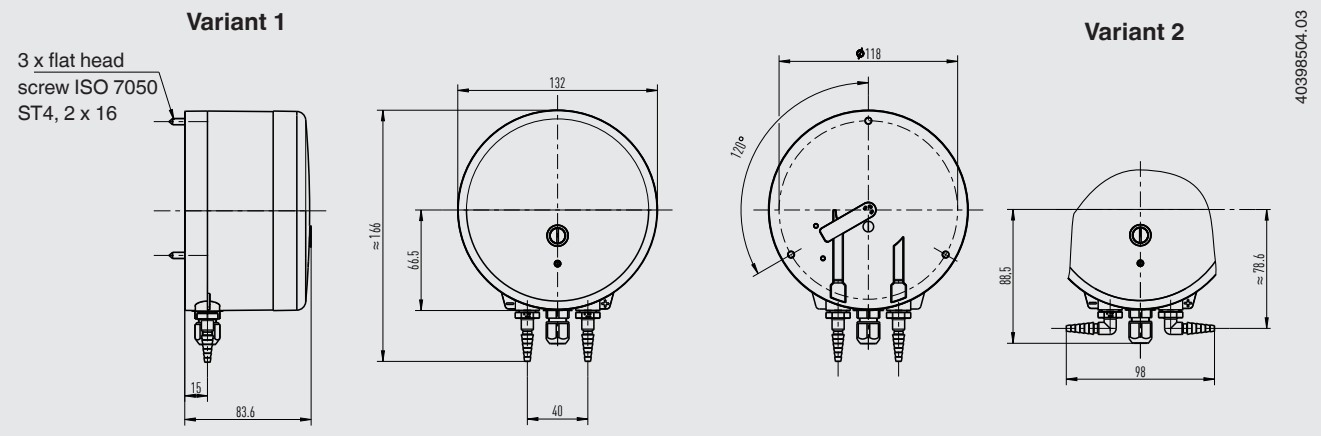
- ① Pressure measuring system
- ② Red mark pointer
- ③ Built-in case
- ④ Threaded bezel
- ⑤ Cable gland
- ⑥ Add-on case

Dimensions in mm

Built-in version with threaded bezel







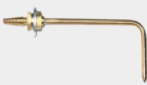



Add-on version



Legend

- Variant 1: With threaded pressure connection, straight, Ø 4 ... 6 mm
- Variant 2: With threaded pressure connection, angled, Ø 4 ... 6 mm

Accessories

Description		Order number
	Process connections	
	2 x threaded pressure connection, straight, Ø 4 ... 6 mm	40423607
	2 x threaded pressure connection, angled, Ø 4 ... 6 mm	40423526
	With mounting thread G 1/8 for pipes 6.35 mm/1/4"	40232867
	Combi hose connection for pressure measuring hoses Ø 4 ... 7 mm	40232484
	Static duct probes with combi hose connection for pressure measuring hoses Ø 4 ... 7 mm	
	Insertion length 100 mm	40232981
	Insertion length 150 mm	40232999
	Insertion length 200 mm	40233006
	Measuring hoses	
	PVC hose, inner diameter 4 mm, roll at 25 m	40217841
	PVC hose, inner diameter 6 mm, roll at 25 m	40217850
	Silicone hose, inner diameter 4 mm, roll at 25 m	40208940
	Silicone hose, inner diameter 6 mm, roll at 25 m	40208958
	Duct connectors for measuring hoses Ø 4 ... 6 mm	40217507
	Weather protection	40241564

Ordering information

Model / Version / Measuring range / Output signal / Unit / Scale / Ingress protection / Mark pointer / Mounting version / Accessories / Approvals / Certificates / Options