

Pressure gauges with output signal,
optional for hazardous areas

EN

Manometer mit Ausgangssignal,
optional für explosionsgefährdete Bereiche

DE

Manomètres avec signal de sortie,
en option pour zone explosive

FR

Manómetros con señal de salida,
opcionalmente para zonas peligrosas

ES



Examples for pressure gauges with output signal



Model PGT23.063



Model PGT23.100



Model PGT43.100



Model PGT63HR.100



Model APGT43.100



Model DPGT43.100



Model DPGT43HR.100

avrora-arm.ru
+7 (495) 956-62-18

WIKAI

Part of your business

| | | | |
|----|---|---------------|-----------------|
| EN | Operating instructions for pressure gauges with output signal, optional for hazardous areas | Page | 3 - 32 |
| DE | Betriebsanleitung für Manometer mit Ausgangssignal, optional für explosionsgefährdete Bereiche | Seite | 33 - 62 |
| FR | Mode d'emploi pour manomètres avec signal de sortie, en option pour zone explosive | Page | 63 - 92 |
| ES | Manual de instrucciones para manómetros con señal de salida, opcionalmente para zonas peligrosas | Página | 93 - 122 |

© 07/2019 WIKA Alexander Wiegand SE & Co. KG
 All rights reserved. / Alle Rechte vorbehalten.
 WIKA® is a registered trademark in various countries.
 WIKA® ist eine geschützte Marke in verschiedenen Ländern.

Prior to starting any work, read the operating instructions!
 Keep for later use!

Vor Beginn aller Arbeiten Betriebsanleitung lesen!
 Zum späteren Gebrauch aufbewahren!

Lire le mode d'emploi avant de commencer toute opération !
 A conserver pour une utilisation ultérieure !

¡Leer el manual de instrucciones antes de comenzar cualquier trabajo!
 ¡Guardar el manual para una eventual consulta!

Contents

| | |
|---|------------|
| 1. General information | 4 |
| 2. Design and function | 5 |
| 2.1 Overview | 5 |
| 2.2 Description. | 5 |
| 2.3 Scope of delivery | 5 |
| 3. Safety | 6 |
| 3.1 Explanation of symbols | 6 |
| 3.2 Intended use | 6 |
| 3.3 Improper use | 7 |
| 3.4 Responsibility of the operator | 7 |
| 3.5 Personnel qualification | 8 |
| 3.6 Skilled personnel | 8 |
| 3.7 Labelling, safety marks | 8 |
| 3.8 Ex marking (option) | 10 |
| 3.9 Specifications and temperature limits. | 10 |
| 3.10 Special conditions for safe use (X conditions) | 12 |
| 4. Transport, packaging and storage | 13 |
| 4.1 Transport | 13 |
| 4.2 Packaging and storage | 13 |
| 5. Commissioning, operation | 14 |
| 5.1 Mechanical connection | 14 |
| 5.2 Electrical connection | 17 |
| 5.3 Zero point setting (not for PGT23.063) | 19 |
| 5.4 Commissioning | 20 |
| 6. Faults | 21 |
| 7. Maintenance and cleaning | 22 |
| 7.1 Maintenance | 22 |
| 7.2 Cleaning | 23 |
| 8. Dismounting, return and disposal | 24 |
| 8.1 Dismounting | 24 |
| 8.2 Return | 24 |
| 8.3 Disposal | 25 |
| 9. Specifications | 26 |
| 9.1 Electrical connection | 26 |
| 9.2 Transmitter electronics for non-hazardous areas | 27 |
| 9.3 Transmitter electronics for hazardous areas | 27 |
| 9.4 Pressure gauges with output signal | 28 |
| Annex: EU declaration of conformity | 123 |

Declarations of conformity can be found online at www.wika.com.

1. General information

- The contact pressure gauge described in the operating instructions has been designed and manufactured using state-of-the-art technology. All components are subject to stringent quality and environmental criteria during production. Our management systems are certified to ISO 9001 and ISO 14001.
- These operating instructions contain important information on handling the instrument. Working safely requires that all safety instructions and work instructions are observed.
- Observe the relevant local accident prevention regulations and general safety regulations for the instrument's range of use.
- The operating instructions are part of the product and must be kept in the immediate vicinity of the instrument and readily accessible to skilled personnel at any time.
- Skilled personnel must have carefully read and understood the operating instructions prior to beginning any work.
- The manufacturer's liability is void in the case of any damage caused by using the product contrary to its intended use, non-compliance with these operating instructions, assignment of insufficiently qualified skilled personnel or unauthorised modifications to the instrument.
- The general terms and conditions contained in the sales documentation shall apply.
- Subject to technical modifications.
- Further information:
- Internet address: www.wika.de / www.wika.com

| Model | Transmitter electronics for non-hazardous areas | | Transmitter electronics for hazardous areas | | Data sheet |
|-----------------------------|---|-----------------------|---|-----------------------|------------|
| | Model | Variant ¹⁾ | Model | Variant ¹⁾ | |
| PGT23.063 | 891.44 | 1, 3, 4 | - | - | PV 12.03 |
| PGT23.1x0, PGT26.1x0 | 891.44 | 1, 3, 4 | 892.44 | 2 | PV 12.04 |
| PGT43 | 891.44 | 1, 3, 4 | 892.44 | 2 | PV 14.03 |
| PGT43HP | 891.44 | 1, 3, 4 | 892.44 | 2 | PV 14.07 |
| PGT63HP | 891.44 | 1, 3, 4 | 892.44 | 2 | PV 16.06 |
| APGT43 | 891.44 | 1, 3, 4 | 892.44 | 2 | PV 15.02 |
| DPGT43 | 891.44 | 1, 3, 4 | 892.44 | 2 | PV 17.05 |
| DPGT43HP | 891.44 | 1, 3, 4 | 892.44 | 2 | PV 17.13 |

1) Variant of the output signal

1: 4 ... 20 mA, 2-wire, passive, per NAMUR NE 43

2: 4 ... 20 mA, 2-wire, for hazardous areas

3: 0 ... 20 mA, 3-wire

4: 0 ... 10 V, 3-wire

For instruments which are additionally fitted with switch contact(s), the following operating instructions also apply:

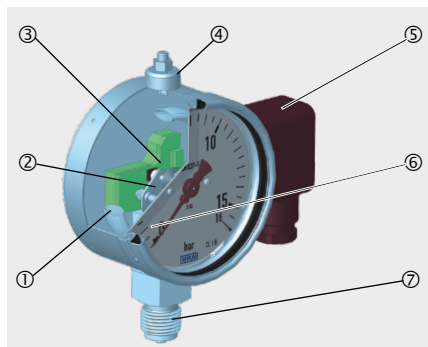
- "Pressure gauges with inductive contact model 831, for hazardous areas", article number 14320154
- "Pressure gauges with switch contact model 821, 851 or 830 E", article number 14057651

2. Design and function

2.1 Overview

Example model PGT23.100, version "S3" per EN 837

- ① Pressure element
- ② Movement
- ③ Transmitter electronics
- ④ Pressure compensating valve
- ⑤ Electrical connection with cable box
- ⑥ Laminated safety glass
- ⑦ Process connection



EN

2.2 Description

For the instruments described, because of their robustness and ease of use, Bourdon tube, diaphragm, capsule and corrugated steel measuring elements are widely used. Under the influence of pressure, the pressure elements deform within their elastic limits. A mechanical movement transfers this deformation into a rotational motion. A magnet on the pointer shaft rotates proportionally to the instrument pointer as a direct linear function of the process pressure. The angle sensor contained in the transmitter electronics measures the rotational motion of the magnet in the range 0 ... 270°. The angle change is registered without any contact and, thus, wear-free and is converted to an analogue output signal via an amplifier. The span of the output signal corresponds to the measuring span on the dial.

Safety version "S3" per EN 837

This version is made up of laminated safety glass, a solid baffle wall between measuring system and dial and a blow-out back. In the event of a failure, the operator is protected at the front side, as media or components can only be ejected via the back of the case.

Ex version

All instruments, except for the model PGT23.063, are also optionally available in a design for hazardous areas.

2.3 Scope of delivery

Cross-check scope of delivery with delivery note.

3. Safety

3.1 Explanation of symbols

EN



WARNING!

... indicates a potentially dangerous situation that can result in serious injury or death, if not avoided.



CAUTION!

... indicates a potentially dangerous situation that can result in light injuries or damage to property or the environment, if not avoided.



DANGER!

... identifies hazards caused by electrical power. Should the safety instructions not be observed, there is a risk of serious or fatal injury.



WARNING!

... indicates a potentially dangerous situation in the hazardous area that results in serious injury or death, if not avoided.



WARNING!

... indicates a potentially dangerous situation that can result in burns, caused by hot surfaces or liquids, if not avoided.



Information

... points out useful tips, recommendations and information for efficient and trouble-free operation.

3.2 Intended use

Pressure gauges with output signal combine a mechanical measuring system with electronic signal processing and are used to control process values as well as for plant monitoring in industrial applications. The instrument offers many application possibilities for gaseous and liquid aggressive media that are not highly viscous or crystallising.

Only use the instrument in applications that lie within its technical performance limits (e.g. temperature limits, material compatibility, ...).

→ For performance limits see chapter 9 “Specifications”.

The instrument has been designed and built solely for the intended use described here, and may only be used accordingly.

The manufacturer shall not be liable for claims of any type based on operation contrary to the intended use.

3.3 Improper use



WARNING!

Injuries through improper use

Improper use of the instrument can lead to hazardous situations and injuries.

- ▶ Refrain from unauthorised modifications to the instrument.
- ▶ Do not use the instrument with abrasive or viscous media.

Exceptions are diaphragm pressure gauges (models PGT43 and PGT43HP) with specially coated diaphragms (abrasive) or versions with open connecting flanges (viscous).

EN

Any use beyond or different to the intended use is considered as improper use.

3.4 Responsibility of the operator

The instrument is used in the industrial sector. The operator is therefore responsible for legal obligations regarding safety at work.

The safety instructions within these operating instructions, as well as the safety, accident prevention and environmental protection regulations for the application area must be maintained.

The operator is obliged to maintain the product label in a legible condition.

To ensure safe working on the instrument, the operating company must ensure

- that suitable first-aid equipment is available and aid is provided whenever required.
- that the operating personnel are regularly instructed in all topics regarding work safety, first aid and environmental protection and know the operating instructions and in particular, the safety instructions contained therein.
- that the instrument is suitable for the particular application in accordance with its intended use.
- that personal protective equipment is available.



On the wetted parts of the instrument, small residual amounts of the adjustment medium (e.g. compressed air, water, oil) can adhere from production. With increased requirements for technical cleanliness, suitability for the application must be checked by the operator before commissioning.



Liquid media with the property of changing the volume during solidification can damage the measuring system (e.g. water if it falls below the freezing point).

3. Safety

3.5 Personnel qualification



WARNING!

Risk of injury should qualification be insufficient!

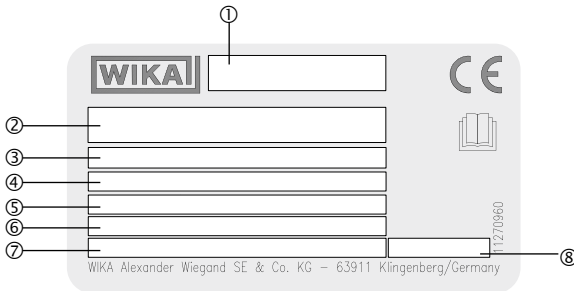
Improper handling can result in considerable injury and damage to equipment. The activities described in these operating instructions may only be carried out by skilled personnel who have the qualifications described below.

3.6 Skilled personnel

Skilled personnel are understood to be personnel who, based on their technical training, knowledge of measurement and control technology and on their experience and knowledge of country-specific regulations, current standards and directives, are capable of carrying out the work described and independently recognising potential hazards.

3.7 Labelling, safety marks

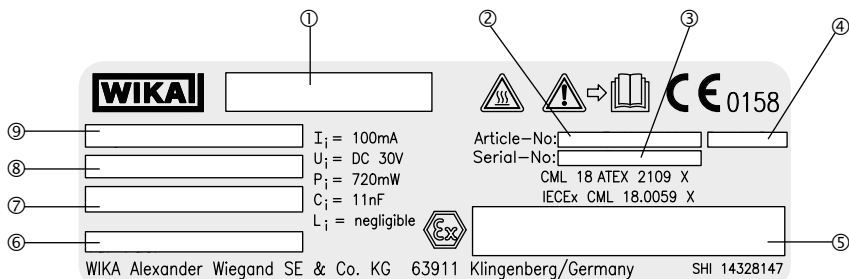
Product label Non-Ex version (example PGT23.063)



- | | |
|-----------------------------------|------------------------------------|
| ① Instrument type | ⑤ Supply voltage |
| ② Model + transmitter electronics | ⑥ Case filling |
| ③ Scale range | ⑦ Article number |
| ④ Output signal | ⑧ Date of manufacture (month/year) |

3. Safety

Product label Ex version (example)



- ① Model + transmitter electronics
- ② Article number
- ③ Serial number
- ④ Date of manufacture (month/year)
- ⑤ Ex marking
- ⑥ Case filling
- ⑦ Supply voltage
- ⑧ Output signal
- ⑨ Scale range



Before mounting and commissioning the instrument, ensure you read the operating instructions!



Risk of burns!

Potentially dangerous situation caused by hot surfaces.



The instrument bearing this mark is a safety pressure gauge with a solid baffle wall in accordance with EN 837, safety version “S3”.



Do not dispose of with household waste. Ensure a proper disposal in accordance with national regulations.

Additional label for Ex version

For instruments with PTFE lining and Ex marking: II 2G Ex ia IIC T6/T5/T4 Gb

WARNING – POTENTIAL
ELECTROSTATIC CHARGING
HAZARD IN THE PTFE LINED
PROCESS CONNECTION AREA

14306388

For instruments with PTFE lining, measures must be taken in the lining area, if necessary, in order to exclude electrostatic charging.

3.8 Ex marking (option)



DANGER!

Danger to life due to loss of explosion protection

Non-observance of these instructions and their contents may result in the loss of explosion protection.

- ▶ Observe the safety instructions in this chapter and further explosion protection instructions in these operating instructions.
- ▶ Observe the information given in the applicable type examination certificate and the relevant country-specific regulations for installation and use in hazardous areas (e.g. IEC 60079-14, NEC, CEC).

Check whether the classification is suitable for the application. Observe the relevant national regulations.

Instruments without PTFE lining

| Ex area | ATEX | IECEX |
|---------------------|-------|-----------------------------------|
| Zone 1 gas | II 2G | Ex ia IIC T6/T5/T4 Gb |
| Zone 21 dust | II 2D | Ex ia IIIB T85°C/T100°C/T135°C Db |

Instruments with PTFE lining

Option with models: PGT43, PGT43HP

| Ex area | ATEX | IECEX |
|-------------------|-------|--|
| Zone 1 gas | II 2G | Ex ia IIC T6/T5/T4 Gb (with additional label, see chapter 3.7) Ex ia IIA T6/T5/T4 Gb (optional) |

3.9 Specifications and temperature limits

Ingress protection per IEC/EN 60529

For information on the ingress protection of the respective instrument, see chapter 9 "Specifications". For the IECEx assessment, IP20 ingress protection was assumed.

Permissible temperature range

For determining the maximum temperature at the instrument, besides the medium temperature also other influences such as the ambient temperature and, if applicable, the solar irradiation must be taken into account.

3. Safety

Gas hazardous areas

| Required temperature class (ignition temperature) | Permissible temperature range at the instrument |
|---|---|
| T6 | -20 ... +45 °C |
| T5 | -20 ... +60 °C |
| T4 ... T1 | -20 ... +60 °C (+70 °C optional) |

EN

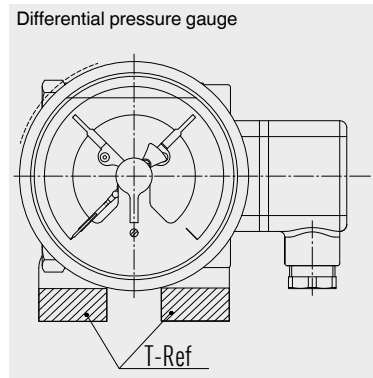
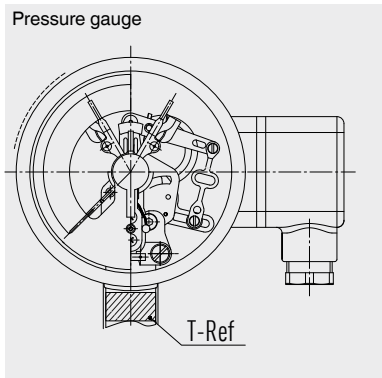
Dust hazardous areas

| Maximum surface temperature | Permissible temperature range at the instrument |
|-----------------------------|---|
| T85°C | -20 ... +45 °C |
| T100°C | -20 ... +60 °C |
| T135°C | -20 ... +60 °C (+70 °C optional) |

The installation should be made in such a way that the temperature range of the instrument, also considering the effects of convection and thermal radiation, neither exceeds nor falls below the permissible limits.

The permissible temperature ranges must not be exceeded at the instrument either. If necessary, measures for cooling (e.g. syphon, instrumentation valve) have to be taken.

Compliance with the permissible temperature range during operation must be ensured by the operator. The area shown in the following picture under "T-Ref" can be used for this purpose.



3.10 Special conditions for safe use (X conditions)

- i. The temperature class and permitted maximum ambient temperature, are dependent upon the options fitted within the equipment and may not be marked on the equipment label. The user shall refer to this certificate and to the equipment instructions for details of the applicable temperature class and ambient temperature range.
- ii. The user shall consider that heat may be transferred along the measuring instrument and the equipment shall not exceed the maximum permitted ambient temperature. For further information, refer to the user instructions.
- iii. Models which incorporate a PTFE lining may be marked for use in Group IIB only. The user shall ensure that such models marked as such are not used in Group IIC Gas nor Group III dust hazardous areas.
- iv. Models which incorporate a PTFE lining may be marked for use in Group IIC gas and Group IIIB dust hazardous area. Such models also incorporate a warning label advising the user of a potential electro-static hazard within the process connection area. The user shall take all necessary precautions to mitigate the risk of electro-static discharge within the process connection.
- v. The equipment may incorporate an integral cable. The user shall ensure that, when installed, the cable is fixed in place and is protected from mechanical damage.
- vi. For Group III applications, under certain extreme circumstances, the non-metallic coating of the enclosure of this equipment may generate an ignition-capable level of electrostatic charge. Therefore, the equipment shall not be installed in a location where the external conditions are conducive to the build-up of electrostatic charge on such surfaces. The user/installer shall implement precautions to prevent the build-up of electrostatic charge, e.g. locate the equipment where a charge-generating mechanism (such as wind-blown dust) is unlikely to be present and clean with a damp cloth.

4. Transport, packaging and storage

4.1 Transport

Check the instrument for any damage that may have been caused by transport. Obvious damage must be reported immediately.



CAUTION!

Damage through improper transport

With improper transport, a high level of damage to property can occur.

- ▶ When unloading packed goods upon delivery as well as during internal transport, proceed carefully and observe the symbols on the packaging.
- ▶ With internal transport, observe the instructions in chapter 4.2 "Packaging and storage".



Shocks can cause small bubbles to form in the fill fluid of filled instruments. This has no effect on the function of the instrument.

4.2 Packaging and storage

Do not remove packaging until just before mounting.

Keep the packaging as it will provide optimum protection during transport (e.g. change in installation site, sending for repair).

Permissible conditions at the place of storage:

Storage temperature: -20 ... +70 °C

Avoid exposure to the following factors:

- Direct sunlight or proximity to hot objects
- Mechanical vibration, mechanical shock (putting it down hard)
- Soot, vapour, dust and corrosive gases
- Hazardous environments, flammable atmospheres

Store the instrument in its original packaging in a location that fulfils the conditions listed above.

5. Commissioning, operation

Personnel: Skilled personnel

Before installation, commissioning and operation, ensure that the appropriate instrument has been selected in terms of scale range, design and specific measuring conditions.

EN



WARNING!

Physical injuries and damage to property and the environment caused by hazardous media

Upon contact with hazardous media (e.g. with flammable or toxic substances), harmful media (e.g. corrosive, toxic, carcinogenic, radioactive), there is a danger of physical injuries and damage to property and the environment.

Should a failure occur, aggressive media with extremely high temperature and under high pressure may be present at the instrument.

- ▶ For these media, in addition to all standard regulations, the appropriate existing codes or regulations must also be followed.
- ▶ Wear the requisite protective equipment.



WARNING!

Physical injuries and damage to property and the environment caused by media escaping under high pressure

With the pressurisation of the instrument, as a result of poor sealing of the process connection, media under high pressure can escape.

Due to the high energy of the media that can escape in the event of a failure, the possibility of physical injuries and damage to property exists.

- ▶ The sealing of the process connection must be carried out expertly and checked for leak tightness.

5.1 Mechanical connection

In accordance with the general technical regulations for pressure gauges (e.g. EN 837-2 "Selection and installation recommendations for pressure gauges").

Instruments must be grounded via the process connection. This is why electrically conductive sealing should be used at the process connection. Alternatively, take other measures for grounding. Measures for grounding applied ex works (e.g. welding spots or fuse plates) must therefore be used to integrate the instruments into the equipotential bonding system and must not be removed under any circumstances. Ensure that the measures for grounding are reinstalled after dismantling (e.g. replacing the instrument).

5. Commissioning, operation

When screwing the instruments in, the force required for sealing must not be applied through the case, but only through the spanner flats provided for this purpose, and using a suitable tool.



For parallel threads, use flat gaskets, lens-type sealing rings or WIKA profile sealings at the sealing face ①. With tapered threads (e.g. NPT threads), sealing is made in the threads ②, using a suitable sealing material (EN 837-2).



The tightening torque depends on the sealing used. In order to orientate the measuring instrument so that it can be read as well as possible, a connection with LH-RH union or union nut should be used. When a blow-out device is fitted to an instrument, it must be protected against being blocked by debris and dirt.

Installation

- Nominal position per EN 837-3 / 9.6.6 figure 7: 90° (⊥)
- Process connection lower mount
- With filled versions the vent valve at the top of the case must be opened before commissioning!
- For outdoor applications, the selected installation location has to be suitable for the specified ingress protection, so that the instrument is not exposed to impermissible weather conditions.
- In order to avoid any additional heating, the instruments must not be exposed to direct solar irradiation while in operation!
- To ensure that the pressure can be safely vented in the case of failure, due to the blow-out back, a minimum distance of 20 mm from any object must be maintained.

Requirements for the installation point

If the line to the measuring instrument is not adequately stable, an instrument mounting bracket should be used for fastening. If vibrations cannot be avoided by means of suitable installation, filled instruments should be used. The instruments should be protected against coarse dirt and wide fluctuations in ambient temperature.

5. Commissioning, operation

Permissible vibration load at the installation site

The instruments should always be installed in locations free from vibration. If necessary, it is possible to isolate the instrument from the mounting point, e.g. by installing a flexible connection line between the measuring point and the instrument and mounting the instrument on a suitable bracket.

EN

If this is not possible, the following limit values must not be exceeded:

Frequency range < 150 Hz
Acceleration < 0.5 g (5 m/s²)

Test connection

In specific applications (e.g. steam boilers) the shut-off devices must have a test connection, so that the instrument can be tested without being dismantled.

Temperature load

The installation of the instrument should be made in such a way that the permissible operating temperature, also considering the effects of convection and thermal radiation, neither exceeds nor falls below the permissible limits. Thus the instrument and the shut-off device must be protected by sufficiently long measuring lines or syphons.

The influence of temperature on the indication and measurement accuracy must be observed.



WARNING!

The actual maximum surface temperature depends not on the equipment itself, but mainly on the operating conditions. With gaseous substances, the temperature may increase as a result of compression warming. In these cases it may be necessary to throttle the rate of change of pressure or reduce the permissible medium temperature.

Commissioning of pressure compensating valve

Instruments which are fitted with a pressure compensating valve must, following installation, be vented for internal pressure compensation.

Tool: Open-ended spanner SW 9

1. Remove plastic cap
2. Loosen the threaded connection above the valve body
3. Screw the valve body tight, turned through 180°, with ≤ 4.5 Nm

Before commissioning



After commissioning



For information on the ingress protection, see Technical information IN 00.18

Protection of the pressure elements from overload

If the medium is subject to rapid changes in pressure, or pressure surges are expected, then these must not act directly on the pressure element. The action of the pressure surges must be dampened, for example with the fitting of a throttle section (reduction in cross-section in the pressure port) or through the addition of an adjustable snubber.

5. Commissioning, operation

Pressure tapping point

The pressure tapping point should be arranged with as large a bore as possible (≥ 6 mm) via a shut-off device, so that the pressure tap is not distorted by a flow in the medium. The measuring line between the pressure tapping points and the instrument should have a large enough internal diameter to prevent blockage and lag in the pressure transmission.

Measuring line





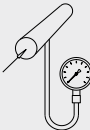

The measuring lines must be as short as possible and should be arranged without sharp radii in order to avoid any disruptive time lags. When routing these lines, a steady inclination of approx. 1:15 is recommended.

The measuring line should be designed and installed so that the loads occurring due to expansion, vibration and thermal effects can be absorbed. With gaseous media, a drain should be provided at the lowest point; with liquid media, a vent should be provided at the highest point.

The measuring instruments must be mounted in the common mounting position per EN 837-1, with a max. permissible incline of 5° on all sides.

Measuring assemblies

Proven measuring assemblies for various types of media.

| Filling of the measuring line | Liquid media | | | Gaseous media | | |
|--|--|--|---|---|---|--|
| | liquid | liquid with vapour | completely vapourised | gaseous | partially condensed (damp) | completely condensed |
| Examples | condensate | boiling liquids | "liquid gases" | dry air | moist air flue gases | steam |
| Pressure gauge above the tapping point | | |  |  |  | |
| Pressure gauge below the tapping point |  |  | | | |  |

5.2 Electrical connection

The electrical connection must only be made by qualified skilled personnel. The instrument must be connected to the equipotential bonding of the plant.

→ For performance data see chapter 9 „Specifications“

5. Commissioning, operation

Supply voltage non-Ex version

Suitable supply voltage

Model KFA6-STR-1.24.500, AC 115/230 V, for DIN rail, order number: 7305636

Supply voltage Ex version

The instrument must only be used in conjunction with a corresponding Ex repeater power supply.

Suitable Ex repeater power supply

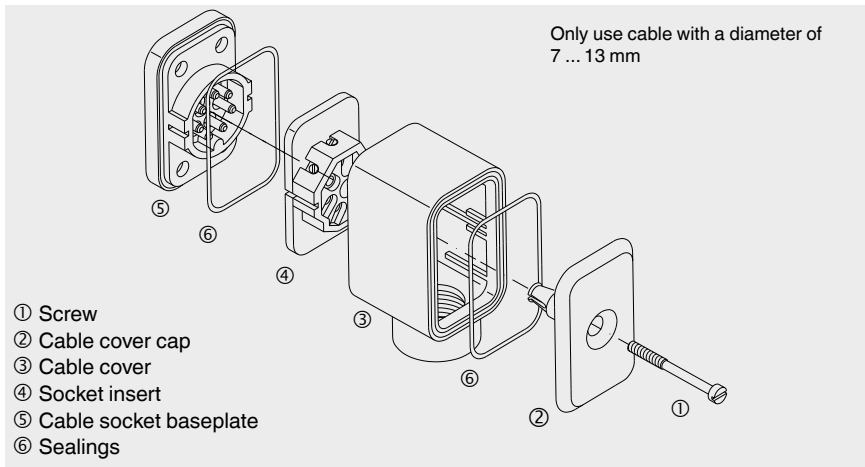
Model KFD2-STC4-Ex1, DC 20 ... 35 V, for DIN rail, order number: 2341268

Safety instructions for installation

- Install instruments in accordance with the manufacturer's instructions and the valid standards and regulations.
- Only connect circuits with the same voltage and type of protection to the connection cables of the instrument.
- Size the connection cables for the largest current strength in the circuits and ensure sufficient UV resistance and mechanical stability.
- With flexible connection cables, use isolated end splices. Max. permissible conductor cross-section 1.5 mm².
- Connection cables must be suited to the ambient temperature range of the application.
- The connection cables must also be suitable for the supplied cable gland (for diameter range, see below).
- Seal the cable entry with the appropriate approved cable glands.
- Install the connection cables securely.

Dismounting cable socket

The cable socket is prefitted and must be dismantled as described below.



5. Commissioning, operation

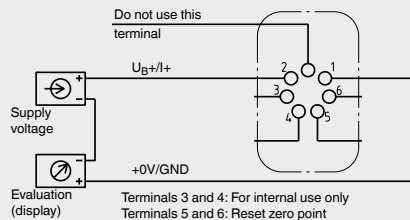
- Fully loosen the screws on the cable cover cap with a slotted screwdriver (0.6 x 3.5 mm) and remove them.
- Pull the cable cover, along with the socket insert, out from the cable socket baseplate (joined permanently with the instrument).
- Take the cable cover cap and push the socket insert out, downwards, completely through the cable cap.

EN

Pin assignment cable socket

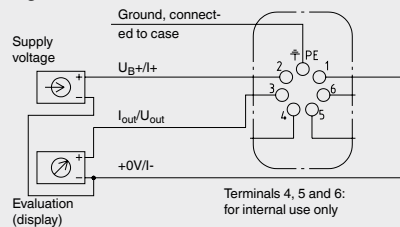
2-wire system

e.g. 4 ... 20 mA



3-wire system:

e.g. 0 ... 20 mA / 0 ... 10 V



Pin assignment model PGT23.063

| Cable | Connector | Assignment |
|-------|-----------|-------------|
| red | Pin 1 | $U_{G+}/I+$ |
| black | Pin 4 | 0 V/I- |
| brown | Pin 2 | n.c. |
| - - - | Pin 3 | n.c. |

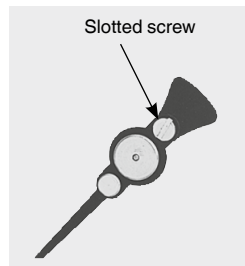
5.3 Zero point setting (not for PGT23.063)

In most cases, the zero point should only be checked and adjusted after the system has been depressurised. Instruments whose scale does not start at atmospheric pressure the pressure gauge must be pressurised with the pressure value of the scale start. With differential pressure gauges, the setting of the zero point should be made by opening the pressure equalisation valve under static load.

Mechanical zero point

If there is a deviation from the zero point (in depressurised condition), the zero point setting can be carried out via the built-in adjustable pointer. For this, remove the bayonet ring including the window and the seal from the case.

By turning the slotted screw of the adjustable pointer, a mechanical zero point setting can be carried out.



5. Commissioning, operation

Electrical zero point

If the mechanical zero point has been altered via the adjustable pointer, the electrical zero point must be matched to the mechanical one. To do this, apply the pressure value of the scale start. The scale start corresponds to the smallest electrical signal (depending on the variant either 0 mA, 4 mA or 0 V).

EN

With a small piece of stranded wire (maximum permissible resistance 30 Ω), stripped at both ends, bridge terminals 5 and 6 on the socket insert.

Installation cable socket

- Connect the socket insert to the cable cover and assemble the cable cover cap with the sealing and screw (see cable socket drawing).
- Insert the assembly, which has just been assembled, onto the cable socket baseplate with sealing.
- Screw the screws on the cable cover cap in fully with a slotted screwdriver (0.6 x 3.5 mm).



In order that the ingress protection is maintained, the seals must be refitted.

Store zero point in transmitter electronics

After switching on the supply voltage, within a max. 30 seconds, the new zero point will be saved in the transmitter electronics. As a check, during this time, a current increase to 9.5 mA can be measured in the current loop on a display unit (e.g. ammeter).

Removing the terminal bridge

- Switch off supply voltage and display unit.
- Carry out the "Dismounting cable socket" described above.
- Remove the stranded wire for bridging terminals 5 and 6 from the socket insert.
- Carry out the "Installation cable socket" described above.

The electrical output signal will once more match the display of the mechanical pointer. Close all valves opened for the zero point setting again.

5.4 Commissioning

Pressure surges must be avoided at all costs, open the shut-off valves slowly.

6. Faults



DANGER!

Danger to life from explosion

Through working in flammable atmospheres, there is a risk of explosion which can cause death.

- ▶ Only rectify faults in non-flammable atmospheres!



CAUTION!

Physical injuries and damage to property and the environment

If faults cannot be eliminated by means of the listed measures, the instrument must be taken out of operation immediately.

- ▶ Ensure that pressure or signal is no longer present and protect against accidental commissioning.
- ▶ Contact the manufacturer.
- ▶ If a return is needed, please follow the instructions given in chapter 8.2 "Return".



WARNING!

Physical injuries and damage to property and the environment caused by hazardous media

Upon contact with hazardous media (e.g. oxygen, acetylene, flammable or toxic substances), harmful media (e.g. corrosive, toxic, carcinogenic, radioactive), and also with refrigeration plants and compressors, there is a danger of physical injuries and damage to property and the environment.

Should a failure occur, aggressive media with extremely high temperature and under high pressure or vacuum may be present at the instrument.

- ▶ For these media, in addition to all standard regulations, the appropriate existing codes or regulations must also be followed.
- ▶ Wear the requisite protective equipment.



For contact details see chapter 1 "General information" or the back page of the operating instructions.

6. Faults / 7. Maintenance and cleaning

| Faults | Causes | Measures |
|--|---|--|
| No output signal. | Insufficient supply voltage or cable break. | Check voltage supply and cables. |
| | Wrong pin assignment. | Check pin assignment. |
| | Defective transmitter electronics due to overvoltage. | Replace instrument. |
| Constant output signal upon change in pressure. | Pressure port blocked at process connection. | Clean pressure port at process connection |
| | Supply voltage connected the wrong way. ($I = \text{ca. } 4.5 \text{ mA}$). | Check pin assignment. |
| | Defective transmitter electronics | Replace instrument. |
| Too high, constant output signal upon change in pressure. | Bridge on terminals 5 and 6 not removed ($I = \text{approx. } 9.5 \text{ mA}$). | Remove the terminal bridge. See chapter 5.3. "Zero point setting". |
| | Defective transmitter electronics due to overvoltage. | Replace instrument. |
| Signal span too small. | Insufficient supply voltage. | Check voltage supply and cables. |
| | Load too high. | Maintain permissible load. |
| | Zero point maladjusted. | See chapter 5.3. "Zero point setting". |
| Zero point signal too low or too high. | Zero point maladjusted. | See chapter 5.3. "Zero point setting". |

For the exchange of the instrument chapters 8 "Dismounting, return and disposal" and 5 "Commissioning, operation" must be observed.

7. Maintenance and cleaning

7.1 Maintenance

The instruments are maintenance-free.

The indicator and switching function should be checked once or twice every year. The test can be carried out separately from the process with a pressure testing device.

Testing of filled instruments

For filled instruments, the level must be checked once or twice every year.

The liquid level must not drop below 75 % of the instrument diameter.



WARNING!

Danger to life due to impermissible filling/refilling of the instrument with loss of explosion protection

The filling/refilling of instruments by non-authorized personnel leads to a loss of the explosion protection and can lead to damage to the instrument.

- ▶ Repair of the instruments may only be carried out by authorized bodies.
- ▶ If a return is needed, please follow the instructions given in chapter 8.2 "Return".

EN

Repairs must only be carried out by the manufacturer.

7.2 Cleaning



CAUTION!

Physical injuries and damage to property and the environment

Improper cleaning may lead to physical injuries and damage to property and the environment. Residual media in the dismantled instrument can result in a risk to persons, the environment and equipment.

- ▶ Carry out the cleaning process as described below.

1. Before cleaning, correctly disconnect the instrument from the pressure supply, switch it off and disconnect it from the mains.
2. Use the requisite protective equipment.
3. Clean the instrument with a moist cloth.
Electrical connections must not come into contact with moisture!



CAUTION!

Damage to the instrument

Improper cleaning may lead to damage to the instrument!

- ▶ Do not use any aggressive cleaning agents.
 - ▶ Do not use any hard or pointed objects for cleaning.
4. Wash or clean the dismantled instrument, in order to protect persons and the environment from exposure to residual media.

8. Dismounting, return and disposal



WARNING!

Physical injuries and damage to property and the environment through residual media

Residual media in the dismantled instrument can result in a risk to persons, the environment and equipment.

- ▶ Wear the requisite protective equipment.
- ▶ Observe the information in the material safety data sheet for the corresponding medium.
- ▶ Wash or clean the dismantled instrument, in order to protect persons and the environment from exposure to residual media.

8.1 Dismounting



WARNING!

Risk of burns

During dismantling there is a risk of dangerously hot media escaping.

- ▶ Let the instrument cool down sufficiently before dismantling it!



DANGER!

Danger to life caused by electric current

Upon contact with live parts, there is a direct danger to life.

- ▶ The dismantling of the instrument may only be carried out by skilled personnel.
- ▶ Remove the instrument once the system has been isolated from power sources.



WARNING!

Physical injury

When dismantling, there is a danger from aggressive media and high pressures.

- ▶ Observe the information in the material safety data sheet for the corresponding medium.
- ▶ Dismount the instrument when there is no pressure.

If necessary, the measuring line must have strain relief. For diaphragm pressure gauges, the clamping bolts of the upper and lower flange must not be loosened.

8.2 Return

Strictly observe the following when shipping the instrument:

All instruments delivered to WIKA must be free from any kind of hazardous substances (acids, bases, solutions, etc.) and must therefore be cleaned before being returned.

8. Dismounting, return and disposal



WARNING!

Physical injuries and damage to property and the environment through residual media

Residual media in the dismantled instrument can result in a risk to persons, the environment and equipment.

- ▶ With hazardous substances, include the material safety data sheet for the corresponding medium.
- ▶ Clean the instrument, see chapter 7.2 “Cleaning”.

EN

When returning the instrument, use the original packaging or a suitable transport packaging.



Information on returns can be found under the heading “Service” on our local website.

8.3 Disposal

Incorrect disposal can put the environment at risk. Dispose of instrument components and packaging materials in an environmentally compatible way and in accordance with the country-specific waste disposal regulations.



Do not dispose of with household waste. Ensure a proper disposal in accordance with national regulations.

9. Specifications



DANGER!

Danger to life due to loss of explosion protection

The non-observance of the instructions for use in hazardous areas can lead to the loss of the explosion protection.

- ▶ Adhere to the following limit values and instructions.
- ▶ The case contains parts made of non-metallic material, which could be adversely affected by environmental conditions. It must be ensured that the non-metallic parts are not damaged as a result of the environmental conditions.

Non-metallic parts of the case

PUR, TPU, PA 6, EPDM, NBR (option), FMQ (option)

9.1 Electrical connection

Standard cable socket

Cable socket, fitted on the right-hand side of the case.

Material: PA 6, black

Per VDE 0110 insulation group C/250 V

Cable gland M20 x 1.5 (facing downwards) with strain relief
6 screw terminals + PE for conductor cross-section 1.5 mm²

Cable outlet

Cable length 2 m or 5 m, facing downwards and to the right

Material: PVC

Miniature connector

Miniature connector M8 x 1, 4-pin

9. Specifications

9.2 Transmitter electronics for non-hazardous areas

| Model 891.44 | |
|--------------------------------------|---|
| Output signal | Variant 1: 4 ... 20 mA, 2-wire, passive, per NAMUR NE 43 Variant 3: 0 ... 20 mA, 3-wire Variant 4: 0 ... 10 V, 3-wire |
| Supply voltage U_B | Variant 1+3: DC 12 ... 30 V Variant 4: DC 15 ... 30 V |
| Influence of supply voltage | $\leq 0.1\%$ of full scale/10 V |
| Permissible residual ripple of U_B | $\leq 10\%$ ss |
| Permissible max. load R_A | Variant 1, 3: $R_A \leq (U_B - 12 \text{ V})/0.02 \text{ A}$ with R_A in Ohm and U_B in Volt, however max. 600 Ω Variant 4: $R_A = 100 \text{ k}\Omega$ |
| Effect of load (variant 1 + 3) | $\leq 0.1\%$ of full scale |
| Impedance at voltage output | 0.5 Ω |
| Long-term stability of electronics | $< 0.3\%$ of full scale per year |
| Electr. output signal | $\leq 1\%$ of measuring span |
| Linear error | $\leq 1\%$ of measuring span (terminal method) |
| Resolution | 0.13 % of full scale (10 bit resolution at 360°) |
| Refresh rate (measuring rate) | 600 ms |

EN

9.3 Transmitter electronics for hazardous areas

| Model 892.44 | |
|--------------------------------------|---|
| Output signal | Variant 2: 4 ... 20 mA, 2-wire, for hazardous areas |
| Supply voltage U_B | DC 14 ... 30 V |
| Influence of supply voltage | $\leq 0.1\%$ of full scale/10 V |
| Permissible residual ripple of U_B | $\leq 10\%$ ss |
| Permissible max. load R_A | $R_A \leq (U_B - 12 \text{ V})/0.02 \text{ A}$ with R_A in Ω and U_B in V, however max. 600 Ω |
| Effect of load | $\leq 0.1\%$ of full scale |
| Impedance at voltage output | 0.5 Ω |
| Long-term stability of electronics | $< 0.3\%$ of full scale per year |
| Electr. output signal | $\leq 1\%$ of measuring span |
| Linear error | $\leq 1\%$ of measuring span (terminal method) |
| Resolution | 0.13 % of full scale (10 bit resolution at 360°) |
| Refresh rate (measuring rate) | 600 ms |

Safety-related maximum values

| U_i | I_i | P_i | C_i | L_i |
|---------|--------|--------|-------|------------|
| DC 30 V | 100 mA | 720 mW | 11 nF | negligible |

For further information see Annex "EU declaration of conformity"

9. Specifications

9.4 Pressure gauges with output signal

Model PGT23.063

| | |
|--|--|
| Pressure limitation | |
| Steady | 3/4 x full scale value |
| Fluctuating | 2/3 x full scale value |
| Short time | Full scale value |
| Temperature effect | When the temperature of the measuring system deviates from the reference temperature (+20 °C): max. $\pm 0.8 \%$ /10 K of full scale value |
| Wetted materials | |
| Process connection, pressure element | Stainless steel 316L |
| Non-wetted materials | |
| Case, bayonet ring | Stainless steel |
| Movement | Brass |
| Dial | Aluminium, white, black lettering |
| Pointer | Aluminium, black |
| Window | Polycarbonate or laminated safety glass |
| Ingress protection per IEC/EN 60529 | IP54; option: IP65 |

For further specifications see data sheet PV 12.03

Models PGT23.100, PGT23.160, PGT26.100, PGT26.160

| | |
|--|--|
| Pressure limitation | |
| Steady | Full scale value |
| Fluctuating | 0.9 x full scale value |
| Short time | 1.3 x full scale value |
| Temperature effect | When the temperature of the measuring system deviates from the reference temperature (+20 °C): max. $\pm 0.4 \%$ /10 K of full scale value |
| Wetted materials | |
| Process connection, pressure element | PGT23.100, PGT23.160: Stainless steel 316L PGT26.100, PGT26.160: Monel |
| Non-wetted materials | |
| Case, bayonet ring | Stainless steel |
| Movement | Brass |
| Dial | Aluminium, white, black lettering |
| Instrument pointer | Aluminium, black |
| Pointer | Aluminium, red |
| Window | Laminated safety glass |
| Ingress protection per IEC/EN 60529 | IP65 ¹⁾ ; option: IP66 |

1) Ingress protection IP54 with lower back mount.

For further specifications see data sheet PV 12.04

9. Specifications

Models PGT43.100, PGT43.160

| | |
|--|---|
| Pressure limitation | |
| Steady | Full scale value |
| Fluctuating | 0.9 x full scale value |
| Overload safety | 5 x full scale value, however max. 40 bar |
| Temperature effect | When the temperature of the measuring system deviates from the reference temperature (+20 °C): max. $\pm 0.8\%$ /10 K of full scale value |
| Wetted materials | |
| Process connection with lower measuring flange | Stainless steel 316L |
| Pressure element | ≤ 0.25 bar: Stainless steel 316L > 0.25 bar: NiCr alloy (Inconel) |
| Sealing | FPM/FKM |
| Non-wetted materials | |
| Case, bayonet ring | Stainless steel |
| Movement | Brass |
| Dial | Aluminium, white, black lettering |
| Pointer | Aluminium, black |
| Window | Laminated safety glass |
| Ingress protection per IEC/EN 60529 | IP54; option: IP65 |

For further specifications see data sheet PV 14.03

Model PGT43HP

| | |
|--|---|
| Pressure limitation | |
| Steady | Full scale value |
| Fluctuating | 0.9 x full scale value |
| Overload safety | 40, 100 or 400 bar |
| Temperature effect | When the temperature of the measuring system deviates from the reference temperature (+20 °C): max. $\pm 0.8\%$ /10 K of full scale value |
| Wetted materials | |
| Process connection with lower measuring flange | Stainless steel 316L |
| Pressure element | ≤ 0.25 bar: Stainless steel 316L > 0.25 bar: NiCr alloy (Inconel) |
| Sealing | FPM/FKM |
| Non-wetted materials | |
| Case, bayonet ring | Stainless steel |
| Movement | Brass |
| Dial | Aluminium, white, black lettering |
| Pointer | Aluminium, black |
| Window | Laminated safety glass |
| Ingress protection per IEC/EN 60529 | IP54; option: IP65 |

For further specifications see data sheet PV 14.07

9. Specifications

Model PGT63HP

| | |
|--|--|
| Pressure limitation | |
| Steady | Full scale value |
| Fluctuating | 0.9 x full scale value |
| Overload safety | 50 x full scale value |
| Temperature effect | When the temperature of the measuring system deviates from the reference temperature (+20 °C): max. ± 0.6 %/10 K of full scale value |
| Wetted materials | |
| Process connection, pressure element | Stainless steel 316Ti (1.4571) |
| Sealing | PTFE |
| Non-wetted materials | |
| Case, bayonet ring | Stainless steel |
| Movement | Brass |
| Dial | Aluminium, white, black lettering |
| Pointer | Aluminium, black |
| Window | Laminated safety glass |
| Ingress protection per IEC/EN 60529 | IP54 |

For further specifications see data sheet PV 16.06

Model APGT43

| | |
|--|--|
| Pressure limitation | |
| Steady | Full scale value |
| Fluctuating | 0.9 x full scale value |
| Overload safety | at least 1 bar absolute pressure (atmospheric pressure), in addition 10 x full scale value, max. 25 bar absolute pressure |
| Temperature effect | When the temperature of the measuring system deviates from the reference temperature (+20 °C): max. ± 0.8 %/10 K of full scale value |
| Wetted materials | |
| Process connection | Stainless steel 316L |
| Pressure element | ≤ 0.25 bar: Stainless steel 316Ti (1.4571) > 0.25 bar: NiCr alloy (Inconel) |
| Non-wetted materials | |
| Case, bayonet ring | Stainless steel |
| Movement | Brass |
| Dial | Aluminium, white, black lettering |
| Pointer | Aluminium, black |
| Window | Laminated safety glass |
| Ingress protection per IEC/EN 60529 | IP54; option: IP65 |

For further specifications see data sheet PV 15.02

9. Specifications

Models DPGT43.100, DPGT43.160

| | |
|---|---|
| Pressure limitation | |
| Steady | Full scale value |
| Fluctuating | 0.9 x full scale value |
| Overload safety and max. working pressure | see the following table |
| Temperature effect | When the temperature of the measuring system deviates from the reference temperature (+20 °C): max. $\pm 0.5\%$ /10 K of full scale value |
| Wetted materials | |
| Media chamber with process connection, venting of the media chambers, bellows | Stainless steel 316Ti (1.4571) |
| Pressure element | ≤ 0.25 bar: Stainless steel 316L > 0.25 bar: NiCr alloy (Inconel) |
| Non-wetted materials | |
| Case, bayonet ring | Stainless steel |
| Movement | Brass |
| Dial | Aluminium, white, black lettering |
| Pointer | Aluminium, black |
| Window | Laminated safety glass |
| Ingress protection per IEC/EN 60529 | IP54; option: IP65 |

EN

Overload safety and max. working pressure

| Scale ranges | Overload safety in bar Either side max. | | max. working pressure in bar (static pressure) | |
|----------------------------|--|--------|---|--------|
| | Standard | Option | Standard | Option |
| 0 ... 16 to 0 ... 40 mbar | 2.5 | - | 2.5 | 6 |
| 0 ... 60 to 0 ... 250 mbar | 2.5 | 6 | 6 | 10 |
| 0 ... 400 mbar | 4 | 40 | 25 | 40 |
| 0 ... 0.6 bar | 6 | 40 | 25 | 40 |
| 0 ... 1 bar | 10 | 40 | 25 | 40 |
| 0 ... 1.6 bar | 16 | 40 | 25 | 40 |
| 0 ... 2.5 to 0 ... 25 bar | 25 | 40 | 25 | 40 |

For further specifications see data sheet PV 17.05

9. Specifications

Models DPGT43HP.100, DPGT43HP.160

| | |
|---|---|
| Pressure limitation | |
| Steady | Full scale value |
| Fluctuating | 0.9 x full scale value |
| Overload safety and max. working pressure | Either side max. 40, 100, 250 or 400 bar |
| Temperature effect | When the temperature of the measuring system deviates from the reference temperature (+20 °C): max. $\pm 0.5\%$ /10 K of full scale value |
| Wetted materials | |
| Media chamber with process connection, venting of the media chambers, bellows | Stainless steel 316Ti (1.4571) |
| Pressure element | ≤ 0.25 bar: Stainless steel 316L > 0.25 bar: Stainless steel 316L/Inconel |
| Non-wetted materials | |
| System fill fluid measuring cell | Silicone oil |
| Case, movement, bayonet ring | Stainless steel |
| Dial | Aluminium, white, black lettering |
| Pointer | Aluminium, black |
| Window | Laminated safety glass |
| Ingress protection per IEC/EN 60529 | IP54; option: IP65 |

For further specifications see data sheet PV 17.13

EN

Inhalt

| | |
|--|------------|
| 1. Allgemeines | 34 |
| 2. Aufbau und Funktion | 35 |
| 2.1 Überblick | 35 |
| 2.2 Beschreibung | 35 |
| 2.3 Lieferumfang | 35 |
| 3. Sicherheit | 36 |
| 3.1 Symbolerklärung | 36 |
| 3.2 Bestimmungsgemäße Verwendung | 36 |
| 3.3 Fehlgebrauch | 37 |
| 3.4 Verantwortung des Betreibers | 37 |
| 3.5 Personalqualifikation | 38 |
| 3.6 Fachpersonal | 38 |
| 3.7 Beschilderung, Sicherheitskennzeichnungen | 38 |
| 3.8 Ex-Kennzeichnung (Option) | 40 |
| 3.9 Spezifikation und Temperaturgrenzen | 40 |
| 3.10 Besondere Bedingungen für die sichere Verwendung (X-Conditions) | 42 |
| 4. Transport, Verpackung und Lagerung | 43 |
| 4.1 Transport | 43 |
| 4.2 Verpackung und Lagerung | 43 |
| 5. Inbetriebnahme, Betrieb | 44 |
| 5.1 Mechanischer Anschluss | 44 |
| 5.2 Elektrischer Anschluss | 47 |
| 5.3 Nullpunkteinstellung (nicht für PGT23.063) | 49 |
| 5.4 Inbetriebnahme | 50 |
| 6. Störungen | 51 |
| 7. Wartung und Reinigung | 53 |
| 7.1 Wartung | 53 |
| 7.2 Reinigung | 53 |
| 8. Demontage, Rücksendung und Entsorgung | 54 |
| 8.1 Demontage | 54 |
| 8.2 Rücksendung | 55 |
| 8.3 Entsorgung | 55 |
| 9. Technische Daten | 56 |
| 9.1 Elektrischer Anschluss | 56 |
| 9.2 Transmitterelektronik für Nicht-Ex-Bereiche | 57 |
| 9.3 Transmitterelektronik für Ex-Bereiche | 57 |
| 9.4 Manometer mit Ausgangssignal | 58 |
| Anlage: EU-Konformitätserklärung | 123 |

Konformitätserklärungen finden Sie online unter www.wika.de.

1. Allgemeines

- Das in der Betriebsanleitung beschriebene Kontaktmanometer wird nach den neuesten Erkenntnissen konstruiert und gefertigt. Alle Komponenten unterliegen während der Fertigung strengen Qualitäts- und Umweltkriterien. Unsere Managementsysteme sind nach ISO 9001 und ISO 14001 zertifiziert.
- Diese Betriebsanleitung gibt wichtige Hinweise zum Umgang mit dem Gerät. Voraussetzung für sicheres Arbeiten ist die Einhaltung aller angegebenen Sicherheitshinweise und Handlungsanweisungen.
- Die für den Einsatzbereich des Gerätes geltenden örtlichen Unfallverhütungsvorschriften und allgemeinen Sicherheitsbestimmungen einhalten.
- Die Betriebsanleitung ist Produktbestandteil und muss in unmittelbarer Nähe des Gerätes für das Fachpersonal jederzeit zugänglich aufbewahrt werden.
- Das Fachpersonal muss die Betriebsanleitung vor Beginn aller Arbeiten sorgfältig durchgelesen und verstanden haben.
- Die Haftung des Herstellers erlischt bei Schäden durch bestimmungswidrige Verwendung, Nichtbeachten dieser Betriebsanleitung, Einsatz ungenügend qualifizierten Fachpersonals sowie eigenmächtiger Veränderung am Gerät.
- Es gelten die allgemeinen Geschäftsbedingungen in den Verkaufsunterlagen.
- Technische Änderungen vorbehalten.
- Weitere Informationen:
- Internet-Adresse: www.wika.de / www.wika.com

| Typ | Transmitterelektronik für Nicht-Ex-Bereiche | | Transmitterelektronik für Ex-Bereiche | | Datenblatt |
|----------------------|---|------------------------|---------------------------------------|------------------------|------------|
| | Typ | Variante ¹⁾ | Typ | Variante ¹⁾ | |
| PGT23.063 | 891.44 | 1, 3, 4 | - | - | PV 12.03 |
| PGT23.1x0, PGT26.1x0 | 891.44 | 1, 3, 4 | 892.44 | 2 | PV 12.04 |
| PGT43 | 891.44 | 1, 3, 4 | 892.44 | 2 | PV 14.03 |
| PGT43HP | 891.44 | 1, 3, 4 | 892.44 | 2 | PV 14.07 |
| PGT63HP | 891.44 | 1, 3, 4 | 892.44 | 2 | PV 16.06 |
| APGT43 | 891.44 | 1, 3, 4 | 892.44 | 2 | PV 15.02 |
| DPGT43 | 891.44 | 1, 3, 4 | 892.44 | 2 | PV 17.05 |
| DPGT43HP | 891.44 | 1, 3, 4 | 892.44 | 2 | PV 17.13 |

1) Variante des Ausgangssignals

1: 4 ... 20 mA, 2-Leiter, passiv, nach NAMUR NE 43

2: 4 ... 20 mA, 2-Leiter, für explosionsgefährdete Bereiche

3: 0 ... 20 mA, 3-Leiter

4: 0 ... 10 V, 3-Leiter

Für Geräte die zusätzlich mit Schaltkontakte(n) ausgestattet sind, gelten außerdem folgende Betriebsanleitungen:

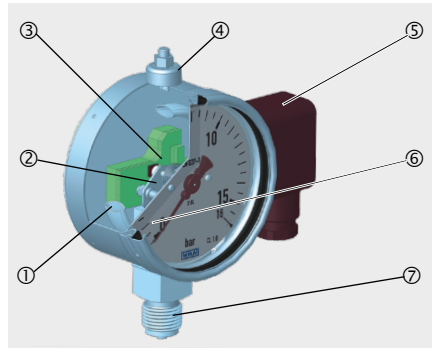
- „Manometer mit Induktivkontakt Typ 831, für explosionsgefährdete Bereiche“, Artikelnummer 14320154
- „Manometer mit Schaltkontakt Typ 821, 851 oder 830 E“, Artikelnummer 14057651

2. Aufbau und Funktion

2.1 Überblick

Beispiel Typ PGT23.100, Ausführung „S3“ nach EN 837

- ① Messglied
- ② Zeigerwerk
- ③ Transmitterelektronik
- ④ Druckausgleichsventil
- ⑤ Elektrischer Anschluss mit Kabelbox
- ⑥ Mehrschichten-Sicherheitsglas
- ⑦ Prozessanschluss



DE

2.2 Beschreibung

Für die beschriebenen Geräte werden wegen ihrer Robustheit und einfachen Handhabung weit verbreitete Rohr-, Platten-, Kapselfeder- und Wellrohrfedermessglieder verwendet. Die Messglieder verformen sich unter Druckeinfluss im elastischen Bereich. Ein mechanisches Zeigerwerk überträgt diese Verformung in eine Drehbewegung. Ein auf der Zeigerwelle aufgesetzter Magnet dreht sich proportional mit dem Instrumentenzeiger in direkter linearer Abhängigkeit zum Prozessdruck. Der auf der Transmitterelektronik enthaltene Winkelsensor erfasst die Drehbewegung des Magneten im Bereich von 0 ... 270°. Die Winkeländerung wird berührungslos und daher verschleißfrei registriert und über einen Verstärker in ein analoges Ausgangssignal umgesetzt. Die Spanne des Ausgangssignals entspricht der Messspanne auf dem Zifferblatt.

Sicherheitsausführung „S3“ nach EN 837

Diese Ausführung besteht aus Mehrschichten-Sicherheitsglas, einer bruchsicheren Trennwand zwischen Messsystem und Zifferblatt sowie einer ausblasbaren Rückwand. Im Fehlerfall ist der Bediener an der Frontseite geschützt, da Messstoffe und Bauteile nur über die Rückseite des Gehäuses austreten können.

Ex-Ausführung

Alle Geräte außer Typ PGT23.063 sind optional auch in einer Ausführung für explosionsgefährdete Bereiche lieferbar.

2.3 Lieferumfang

Lieferumfang mit dem Lieferschein abgleichen.

3. Sicherheit

3.1 Symbolerklärung



WARNUNG!

... weist auf eine möglicherweise gefährliche Situation hin, die zum Tod oder zu schweren Verletzungen führen kann, wenn sie nicht gemieden wird.



VORSICHT!

... weist auf eine möglicherweise gefährliche Situation hin, die zu geringfügigen oder leichten Verletzungen bzw. Sach- und Umweltschäden führen kann, wenn sie nicht gemieden wird.



GEFAHR!

... kennzeichnet Gefährdungen durch elektrischen Strom. Bei Nichtbeachtung der Sicherheitshinweise besteht die Gefahr schwerer oder tödlicher Verletzungen.



WARNUNG!

... weist auf eine möglicherweise gefährliche Situation im explosionsgefährdeten Bereich hin, die zum Tod oder zu schweren Verletzungen führt, wenn sie nicht gemieden wird.



WARNUNG!

... weist auf eine möglicherweise gefährliche Situation hin, die durch heiße Oberflächen oder Flüssigkeiten zu Verbrennungen führen kann, wenn sie nicht gemieden wird.



Information

... hebt nützliche Tipps und Empfehlungen sowie Informationen für einen effizienten und störungsfreien Betrieb hervor.

3.2 Bestimmungsgemäße Verwendung

Manometer mit Ausgangssignal vereinen mechanisches Messsystem mit elektronischer Signalverarbeitung und dienen zum Steuern und Regeln von Prozesswerten sowie zur Anlagenüberwachung in industriellen Anwendungen. Das Gerät bietet viele Anwendungsmöglichkeiten für gasförmige und flüssige, aggressive, nicht hochviskose und nicht kristallisierende Messstoffe.

Das Gerät nur in Anwendungen verwenden, die innerhalb seiner technischen Leistungsgrenzen liegen (z. B. Temperaturgrenzen, Materialverträglichkeit, ...).

→ Leistungsgrenzen siehe Kapitel 9 „Technische Daten“.

Das Gerät ist ausschließlich für den hier beschriebenen bestimmungsgemäßen Verwendungszweck konzipiert und konstruiert und darf nur dementsprechend verwendet werden. Ansprüche jeglicher Art aufgrund von nicht bestimmungsgemäßer Verwendung sind ausgeschlossen.

3.3 Fehlgebrauch



WARNUNG!

Verletzungen durch Fehlgebrauch

Fehlgebrauch des Gerätes kann zu gefährlichen Situationen und Verletzungen führen.

- ▶ Eigenmächtige Umbauten am Gerät unterlassen.
- ▶ Gerät nicht für abrasive und viskose Messstoffe verwenden. Ausnahmen hierbei sind Plattenfedermanometer (Typen PGT43, PGT43HP) mit speziell beschichteten Membranen (abrasiv) oder Ausführungen mit offenem Anschlussflansch (viskos).

Jede über die bestimmungsgemäße Verwendung hinausgehende oder andersartige Benutzung gilt als Fehlgebrauch.

3.4 Verantwortung des Betreibers

Das Gerät wird im gewerblichen Bereich eingesetzt. Der Betreiber unterliegt daher den gesetzlichen Pflichten zur Arbeitssicherheit.

Die Sicherheitshinweise dieser Betriebsanleitung, sowie die für den Einsatzbereich des Gerätes gültigen Sicherheits-, Unfallverhütungs- und Umweltschutzvorschriften einhalten.

Der Betreiber ist verpflichtet das Typenschild lesbar zu halten.

Für ein sicheres Arbeiten am Gerät muss der Betreiber sicherstellen,

- dass eine entsprechende Erste-Hilfe-Ausrüstung vorhanden ist und bei Bedarf jederzeit Hilfe zur Stelle ist.
- dass das Bedienpersonal regelmäßig in allen zutreffenden Fragen von Arbeitssicherheit, Erste Hilfe und Umweltschutz unterwiesen wird, sowie die Betriebsanleitung und insbesondere die darin enthaltenen Sicherheitshinweise kennt.
- dass das Gerät gemäß der bestimmungsgemäßen Verwendung für den Anwendungsfall geeignet ist.
- dass die persönliche Schutzausrüstung verfügbar ist.



An den messstoffberührten Teilen des Gerätes können herstellungsbedingt geringe Restmengen des Justagemediums (z. B. Druckluft, Wasser, Öl) anhaften. Bei erhöhten Anforderungen an die technische Sauberkeit muss die Eignung für den Anwendungsfall vor Inbetriebnahme vom Betreiber geprüft sein.



Flüssige Messstoffe mit der Eigenschaft bei Erstarrung das Volumen zu verändern können das Messsystem schädigen (z. B. Wasser bei Unterschreiten des Gefrierpunktes).

3.5 Personalqualifikation



WARNUNG!

Verletzungsgefahr bei unzureichender Qualifikation!

Unsachgemäßer Umgang kann zu erheblichen Personen- und Sachschäden führen.

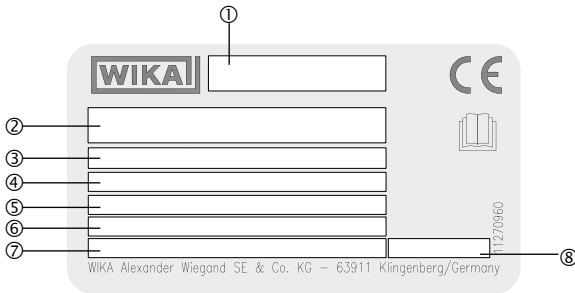
Die in dieser Betriebsanleitung beschriebenen Tätigkeiten nur durch Fachpersonal nachfolgend beschriebener Qualifikation durchführen lassen.

3.6 Fachpersonal

Das Fachpersonal ist aufgrund seiner fachlichen Ausbildung, seiner Kenntnisse der Mess- und Regelungstechnik und seiner Erfahrungen sowie Kenntnis der landesspezifischen Vorschriften, geltenden Normen und Richtlinien in der Lage, die beschriebenen Arbeiten auszuführen und mögliche Gefahren selbstständig zu erkennen.

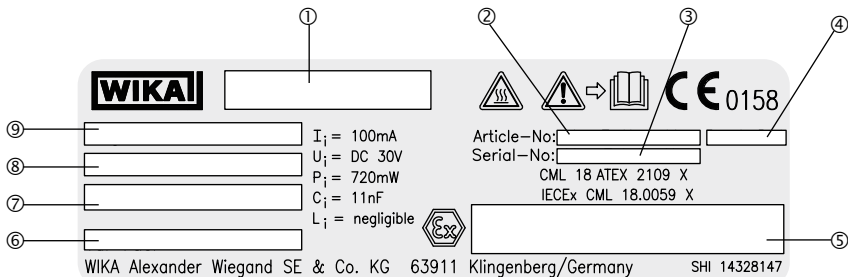
3.7 Beschilderung, Sicherheitskennzeichnungen

Typenschild Nicht-Ex-Ausführung (Beispiel PGT23.063)






- | | | | |
|---|-----------------------------|---|--------------------------------|
| ① | Geräteart | ⑤ | Hilfsenergie |
| ② | Typ + Transmitterelektronik | ⑥ | Gehäusefüllung |
| ③ | Anzeigebereich | ⑦ | Artikelnummer |
| ④ | Ausgangssignal | ⑧ | Herstellungsdatum (Monat/Jahr) |


Typenschild Ex-Ausführung (Beispiel)




- | | |
|----------------------------------|------------------|
| ① Typ + Transmitterelektronik | ⑥ Gehäusefüllung |
| ② Artikelnummer | ⑦ Hilfsenergie |
| ③ Seriennummer | ⑧ Ausgangssignal |
| ④ Herstellungsdatum (Monat/Jahr) | ⑨ Anzeigebereich |
| ⑤ Ex-Kennzeichnung | |

  Vor Montage und Inbetriebnahme des Gerätes unbedingt die Betriebsanleitung lesen!

 **Verbrennungsgefahr!**
Möglicherweise gefährliche Situation durch heiße Oberflächen.

 Das Gerät mit dieser Kennzeichnung ist ein Sicherheitsdruckmessgerät mit bruchsicherer Trennwand nach EN 837, Sicherheitsausführung „S3“.

 Nicht mit dem Hausmüll entsorgen. Für eine geordnete Entsorgung gemäß nationaler Vorgaben sorgen.

Zusatzschild Ex-Ausführung

Für Geräte mit PTFE-Auskleidung und Ex-Kennzeichnung: II 2G Ex ia IIC T6/T5/T4 Gb

WARNING – POTENTIAL
ELECTROSTATIC CHARGING
HAZARD IN THE PTFE LINED
PROCESS CONNECTION AREA

14306388

Bei Geräten mit PTFE-Auskleidung müssen im Bereich der Auskleidung gegebenenfalls Maßnahmen getroffen werden, um elektrostatische Aufladung auszuschließen.

3.8 Ex-Kennzeichnung (Option)



GEFAHR!

Lebensgefahr durch Verlust des Explosionsschutzes

Die Nichtbeachtung dieser Inhalte und Anweisungen kann zum Verlust des Explosionsschutzes führen.

- ▶ Sicherheitshinweise in diesem Kapitel sowie weitere Explosionsschutzhinweise in dieser Betriebsanleitung beachten.
- ▶ Die Angaben der geltenden Baumusterprüfbescheinigung sowie die jeweiligen landesspezifischen Vorschriften zur Installation und Einsatz in explosionsgefährdeten Bereichen (z. B. IEC 60079-14, NEC, CEC) einhalten.

Überprüfen, ob die Klassifizierung für den Einsatzfall geeignet ist. Die jeweiligen nationalen Vorschriften und Bestimmungen beachten.

Geräte ohne PTFE-Auskleidung

| Ex-Bereich | ATEX | IECEx |
|----------------------|-------|-----------------------------------|
| Zone 1 Gas | II 2G | Ex ia IIC T6/T5/T4 Gb |
| Zone 21 Staub | II 2D | Ex ia IIIB T85°C/T100°C/T135°C Db |

Geräte mit PTFE-Auskleidung

Option bei Typen: PGT43, PGT43HP

| Ex-Bereich | ATEX | IECEx |
|-------------------|-------|---|
| Zone 1 Gas | II 2G | Ex ia IIC T6/T5/T4 Gb (mit Zusatzschild, siehe Kapitel 3.7) Ex ia IIA T6/T5/T4 Gb (optional) |

3.9 Spezifikation und Temperaturgrenzen

Schutzart nach IEC/EN 60529

Informationen zur Schutzart des jeweiligen Gerätes siehe Kapitel 9 „Technische Daten“. Für die IECEx-Bewertung wurde die Schutzart IP20 angenommen.

Zulässiger Temperaturbereich

Für die Ermittlung der maximalen Temperatur am Gerät sind außer der Messstofftemperatur noch andere Einflüsse wie z. B. die Umgebungstemperatur und gegebenenfalls die Sonneneinstrahlung zu berücksichtigen.

3. Sicherheit

Gasexplosionsgefährdeter Bereich

| Geforderte Temperaturklasse (Zündtemperatur) | Zulässiger Temperaturbereich am Gerät |
|--|---------------------------------------|
| T6 | -20 ... +45 °C |
| T5 | -20 ... +60 °C |
| T4 ... T1 | -20 ... +60 °C (+70 °C optional) |

DE

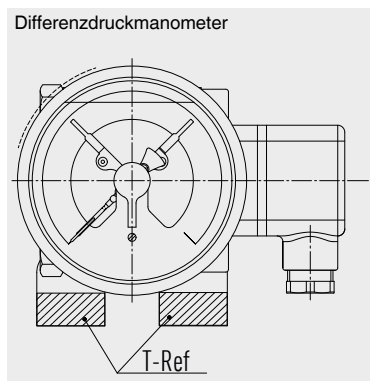
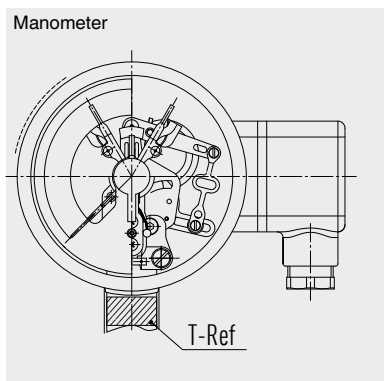
Staubexplosionsgefährdeter Bereich

| Maximale Oberflächentemperatur | Zulässiger Temperaturbereich am Gerät |
|--------------------------------|---------------------------------------|
| T85°C | -20 ... +45 °C |
| T100°C | -20 ... +60 °C |
| T135°C | -20 ... +60 °C (+70 °C optional) |

Die Montage ist so auszuführen, dass der zulässige Temperaturbereich des Gerätes, auch unter Berücksichtigung des Einflusses von Konvektion und Wärmestrahlung, weder unter- noch überschritten wird.

Die zulässigen Temperaturbereiche dürfen auch am Gerät nicht überschritten werden. Gegebenenfalls sind Maßnahmen zur Kühlung (wie z. B. Wassersackrohr, Instrumentierungsventil) zu ergreifen.

Die Einhaltung des zulässigen Temperaturbereiches ist vom Betreiber während des Betriebes sicherzustellen. Die im folgenden Bild unter „T-Ref“ dargestellte Fläche kann hierzu genutzt werden.



3.10 Besondere Bedingungen für die sichere Verwendung (X-Conditions)

- i. Die Temperaturklasse und die zulässige maximale Umgebungstemperatur richten sich nach den im Gerät installierten Optionen und dürfen auf dem Geräte-Schild nicht angegeben sein. Einzelheiten zur anwendbaren Temperaturklasse und zum Umgebungstemperaturbereich sind aus dem vorliegenden Zertifikat und der Betriebsanleitung ersichtlich.
- ii. Der Benutzer muss beachten, dass Wärme entlang des Messgerätes übertragen werden kann und darauf achten, dass das Gerät die maximal zulässige Umgebungstemperatur nicht überschreitet. Näheres ist der Betriebsanleitung zu entnehmen.
- iii. Typen mit einer PTFE-Auskleidung dürfen nur für den Einsatz in Gruppe IIB gekennzeichnet sein. Der Benutzer muss dafür sorgen, dass Typen, die so gekennzeichnet sind, nicht in gasexplosionsgefährdeten Bereichen der Gruppe IIC oder in staubexplosionsgefährdeten Bereichen der Gruppe III verwendet werden.
- iv. Typen mit PTFE-Auskleidung dürfen nur für den Einsatz in gasexplosionsgefährdeten Bereichen der Gruppe IIC und in staubexplosionsgefährdeten Bereichen der Gruppe IIIB gekennzeichnet sein. Derartige Typen sind auch mit einem Warnetikett versehen, das den Benutzer auf eine mögliche elektrostatische Gefährdung innerhalb des Prozessanschlussbereichs hinweist. Der Benutzer muss alle notwendigen Sicherheitsvorkehrungen ergreifen, damit die Gefahr einer elektrostatischen Entladung innerhalb des Prozessanschlusses minimiert wird.
- v. Im Gerät kann ein Kabel integriert sein. Ist dies der Fall, muss der Benutzer dafür sorgen, dass dieses gut befestigt und gegen mechanische Beschädigung geschützt ist.
- vi. Bei Anwendungen der Gruppe III kann die nichtmetallische Beschichtung des Gerätegehäuses unter bestimmten extremen Bedingungen eine zündfähige elektrostatische Ladung erzeugen. Aus diesem Grunde darf das Gerät nicht an einem Ort installiert werden, an dem durch die äußeren Bedingungen der Aufbau elektrostatischer Ladung an solchen Oberflächen begünstigt wird. Der Benutzer/Installateur muss Vorsichtsmaßnahmen ergreifen, um einen Aufbau elektrostatischer Ladung zu verhindern, indem er das Gerät z. B. an einem Ort aufstellt, an dem ein ladungserzeugender Mechanismus (wie z. B. vom Wind verwehter Staub) wenig wahrscheinlich ist, und das Gerät mit einem feuchten Tuch abwischt.

4. Transport, Verpackung und Lagerung

4.1 Transport

Gerät auf eventuell vorhandene Transportschäden untersuchen.

Offensichtliche Schäden unverzüglich mitteilen.



VORSICHT!

Beschädigungen durch unsachgemäßen Transport

Bei unsachgemäßem Transport können Sachschäden in erheblicher Höhe entstehen.

- ▶ Beim Abladen der Packstücke bei Anlieferung sowie innerbetrieblichem Transport vorsichtig vorgehen und die Symbole auf der Verpackung beachten.
- ▶ Bei innerbetrieblichem Transport die Hinweise unter Kapitel 4.2 „Verpackung und Lagerung“ beachten.



Durch Erschütterungen können sich bei gefüllten Geräten in der Füllflüssigkeit kleine Bläschen bilden. Dies hat keinen Einfluss auf die Funktion des Gerätes.

4.2 Verpackung und Lagerung

Verpackung erst unmittelbar vor der Montage entfernen.

Die Verpackung aufbewahren, denn diese bietet bei einem Transport einen optimalen Schutz (z. B. wechselnder Einbauort, Reparatursendung).

Zulässige Bedingungen am Lagerort:

Lagertemperatur: -20 ... +70 °C

Folgende Einflüsse vermeiden:

- Direktes Sonnenlicht oder Nähe zu heißen Gegenständen
- Mechanische Vibration, mechanischer Schock (hartes Aufstellen)
- Ruß, Dampf, Staub und korrosive Gase
- Explosionsgefährdete Umgebung, entzündliche Atmosphären

Das Gerät in der Originalverpackung an einem Ort lagern, der die oben gelisteten Bedingungen erfüllt.

5. Inbetriebnahme, Betrieb

Personal: Fachpersonal

Vor Montage, Inbetriebnahme und Betrieb sicherstellen, dass das richtige Gerät hinsichtlich Anzeigebereich, Ausführung und spezifischen Messbedingungen ausgewählt wurde.

DE



WARNUNG!

Körperverletzungen, Sach- und Umweltschäden durch gefährliche Messstoffe

Bei Kontakt mit gefährlichen Messstoffen (z. B. bei brennbaren oder giftigen Stoffen), gesundheitsgefährdenden Messstoffen (z. B. ätzend, giftig, krebserregend, radioaktiv) besteht die Gefahr von Körperverletzungen, Sach- und Umweltschäden. Am Gerät können im Fehlerfall aggressive Messstoffe mit extremer Temperatur und unter hohem Druck anliegen.

- ▶ Bei diesen Messstoffen müssen über die gesamten allgemeinen Regeln hinaus die einschlägigen Vorschriften beachtet werden.
- ▶ Notwendige Schutzausrüstung tragen.



WARNUNG!

Körperverletzungen, Sach- und Umweltschäden durch unter hohem Druck austretende Messstoffe

Bei der Druckbeaufschlagung des Gerätes kann aufgrund schlechter Abdichtung des Prozessanschlusses Messstoff unter hohem Druck entweichen. Durch die hohe Energie des im Fehlerfall austretenden Messstoffes besteht die Gefahr von Körperverletzungen und Sachschäden.

- ▶ Die Abdichtung des Prozessanschlusses muss fachgerecht ausgeführt und auf Dichtheit überprüft werden.

5.1 Mechanischer Anschluss

Entsprechend den allgemeinen technischen Regeln für Manometer (z. B. EN 837-2 „Auswahl- und Einbauempfehlungen für Druckmessgeräte“).

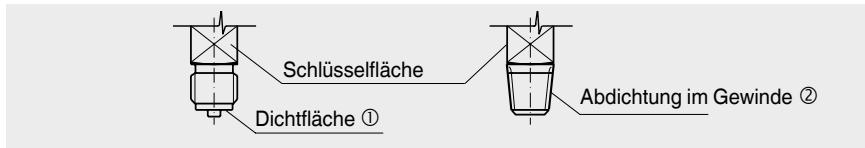
Geräte müssen über den Prozessanschluss geerdet sein. Deshalb sollten am Prozessanschluss elektrisch leitende Dichtungen verwendet werden. Alternativ sind andere Maßnahmen zur Erdung zu ergreifen. Ab Werk angebrachte Maßnahmen zur Erdung (z. B. Schweißpunkte oder Sicherungsplättchen) sind deshalb zur Einbindung der Geräte in den Potentialausgleich zu nutzen und dürfen keinesfalls entfernt werden. Darauf achten, dass nach einer Demontage (z. B. Geräte austausch) die Maßnahmen zur Erdung wieder installiert werden.

5. Inbetriebnahme, Betrieb

Beim Einschrauben der Geräte darf die zum Abdichten erforderliche Kraft nicht über das Gehäuse aufgebracht werden, sondern mit geeignetem Werkzeug nur über die dafür vorgesehenen Schlüsselflächen.



Für zylindrische Gewinde sind an der Dichtfläche ① Flachdichtungen, Dichtlinsen oder WIKA-Profilabdichtungen einzusetzen. Bei kegeligen Gewinden (z. B. NPT-Gewinde) erfolgt die Abdichtung im Gewinde ②, mit geeignetem Dichtungswerkstoff (EN 837-2).



Das Anzugsmoment ist von der eingesetzten Dichtung abhängig. Um das Messgerät in die Stellung zu bringen, in der es sich am besten ablesen lässt, ist ein Anschluss mit Spannmuffe oder Überwurfmutter zu empfehlen. Sofern ein Gerät eine Entlastungsöffnung besitzt, muss diese vor Blockierung durch Geräteteile oder Schmutz geschützt sein.

Installation

- Nennlage nach EN 837-3 / 9.6.6 Bild 7: 90° (⊥)
- Prozessanschluss unten
- Bei gefüllten Ausführungen muss vor Inbetriebnahme das Entlüftungsventil an der Oberseite des Gehäuses geöffnet werden!
- Bei Anwendungen im Freien ist ein für die angegebene Schutzart geeigneter Aufstellort zu wählen, damit das Gerät keinen unzulässigen Witterungseinflüssen ausgesetzt ist.
- Um zusätzliche Aufheizung zu vermeiden, dürfen die Geräte im Betrieb keiner direkten Sonneneinstrahlung ausgesetzt werden!
- Für eine sichere Druckentlastung im Fehlerfall muss aufgrund der ausblasbaren Rückwand ein Abstand von mindestens 20 mm zu jedem Gegenstand eingehalten werden.

Anforderungen an die Einbaustelle

Ist die Leitung zum Messgerät für eine erschütterungsfreie Anbringung nicht stabil genug, sollte die Befestigung mittels Messgeräthealterung erfolgen. Können Erschütterungen nicht durch geeignete Installationen vermieden werden, dann sollten gefüllte Geräte eingesetzt werden. Die Geräte sind vor grober Verschmutzung und starken Schwankungen der Umgebungstemperatur zu schützen.

5. Inbetriebnahme, Betrieb

Zulässige Schwingungsbelastung am Einbauort

Die Geräte sollten grundsätzlich nur an Stellen ohne Schwingungsbelastung eingebaut werden. Gegebenenfalls kann z. B. durch eine flexible Verbindungsleitung von der Messstelle zum Gerät und die Befestigung über eine Messgerätehalterung eine Entkopplung vom Einbauort erreicht werden.

DE

Falls dies nicht möglich ist, dürfen folgende Grenzwerte nicht überschritten werden:

Frequenzbereich < 150 Hz

Beschleunigung < 0,5 g (5 m/s²)

Prüfanschluss

In bestimmten Anwendungsfällen (z. B. Dampfkessel) müssen die Absperrarmaturen einen Prüfanschluss besitzen, damit das Gerät ohne Ausbau überprüft werden kann.

Temperaturbelastung

Die Anbringung des Gerätes ist so auszuführen, dass die zulässige Betriebstemperatur, auch unter Berücksichtigung des Einflusses von Konvektion und Wärmestrahlung, weder unter noch überschritten wird. Dazu sind Gerät und Absperrarmatur durch ausreichend lange Messleitungen oder Wassersackrohre zu schützen.

Der Temperatureinfluss auf die Anzeige- bzw. Messgenauigkeit ist zu beachten.



WARNUNG!

Die tatsächliche maximale Oberflächentemperatur hängt nicht vom Gerät selbst ab, sondern hauptsächlich von den Betriebsbedingungen. Bei gasförmigen Stoffen kann sich die Temperatur durch Kompressionswärme erhöhen. In solchen Fällen muss ggf. die Druckänderungsgeschwindigkeit gedrosselt bzw. die zulässige Messstofftemperatur reduziert werden.

Inbetriebnahme Druckausgleichsventil

Geräte, die mit einem Druckausgleichsventil ausgestattet sind, müssen nach der Installation zur Innendruckkompensation belüftet werden.

Werkzeug: Gabelschlüssel SW 9

1. Kunststoffkappe entfernen
2. Verschraubung oberhalb des Ventilgehäuses lösen
3. Ventilgehäuse um 180° gedreht mit $\leq 4,5$ Nm festschrauben



Informationen zur Schutzart siehe Technische Information IN 00.18

Schutz der Messglieder vor Überlastung

Unterliegt der Messstoff schnellen Druckänderungen oder ist mit Druckstößen zu rechnen, dürfen diese nicht direkt auf das Messglied einwirken. Die Druckstöße müssen in ihrer Wirkung gedämpft werden, z. B. durch Einbau einer Drosselstrecke (Verringerung des Querschnittes im Druckkanal) oder durch Vorschaltung einer einstellbaren Drosselvorrichtung.

Druckentnahmestutzen

Der Druckentnahmestutzen soll mit einer genügend großen Bohrung ($\geq 6 \text{ mm}$) möglichst über ein Absperrorgan so angeordnet werden, dass die Druckentnahme nicht durch eine Strömung des Messstoffes verfälscht wird. Die Messleitung zwischen Druckentnahmestutzen und Gerät soll zur Vermeidung von Verstopfung und Verzögerungen bei der Druckübertragung einen genügend großen Innendurchmesser besitzen.

Messleitung

Die Messleitungen sind möglichst kurz zu halten und ohne scharfe Krümmungen zu verlegen, um das Auftreten störender Verzögerungen zu vermeiden. Bei der Verlegung wird eine stetige Neigung von ca. 1:15 empfohlen.

Die Messleitung ist so auszuführen und zu montieren, dass sie die auftretenden Belastungen durch Dehnung, Schwingung und Wärmeeinwirkung aufnehmen kann. Bei Gasen als Messstoff ist an der tiefsten Stelle eine Entwässerung, bei flüssigen Messstoffen an der höchsten Stelle eine Entlüftung vorzusehen.

Die Messgeräte müssen gemäß EN 837-1 in der üblichen Einbaulage, mit einer max. zulässigen Neigung von 5° zu allen Seiten, montiert werden.

Messanordnungen

Bewährte Messanordnungen für verschiedene Messstoffarten.

| Füllung der Messleitung | Flüssige Messstoffe | | | Gasförmige Messstoffe | | |
|--|---------------------|------------------------|-----------------------|-----------------------|-------------------------------|-------------------------|
| | flüssig | zum Teil ausgasend | vollständig verdampft | gasförmig | zum Teil kondensiert (feucht) | vollständig kondensiert |
| Beispiele | Kondensat | siedende Flüssigkeiten | „Flüssiggase“ | trockene Luft | feuchte Luft Rauchgase | Wasserdampf |
| Manometer oberhalb des Entnahmestutzens | | | | | | |
| Manometer unterhalb des Entnahmestutzens | | | | | | |

5.2 Elektrischer Anschluss

Der elektrische Anschluss darf nur durch qualifiziertes Fachpersonal erfolgen. Das Gerät muss in den Potentialausgleich der Anlage eingebunden werden.

→ Leistungsdaten siehe Kapitel 9 „Technische Daten“

5. Inbetriebnahme, Betrieb

Hilfsenergie Nicht-Ex-Ausführung

Passende Stromversorgung:

Typ KFA6-STR-1.24.500, AC 115/230 V, für Hutschiene, Bestellnummer: 7305636

Hilfsenergie Ex-Ausführung

Das Gerät darf nur in Verbindung mit einem entsprechenden Ex-Speisetrenner betrieben werden.

Zum Beispiel:

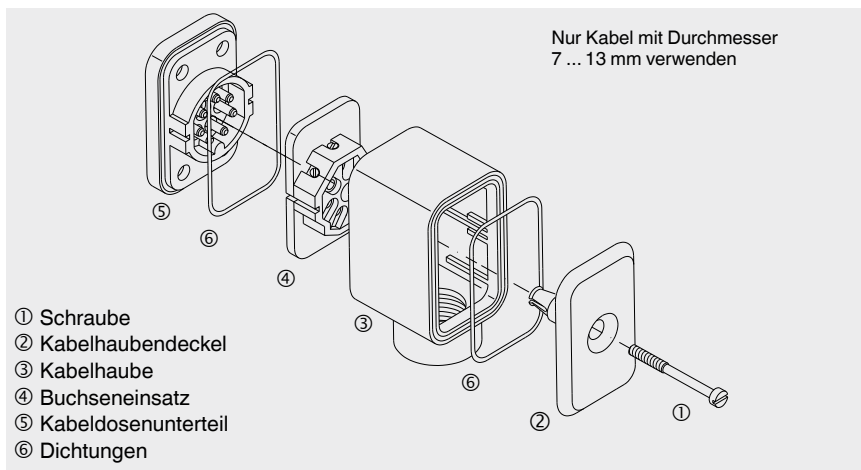
Typ KFD2-STC4-Ex1, DC 20 ... 35 V, für Hutschiene, Bestellnummer: 2341268

Sicherheitshinweise bei Installation

- Geräte gemäß Herstellerangaben und den gültigen Normen und Regeln installieren.
- An die Anschlussleitungen des Gerätes nur Stromkreise mit gleicher Spannung bzw. von gleicher Schutzart anschließen.
- Anschlussleitungen für die größte Stromstärke in den Stromkreisen bemessen und auf ausreichende UV- und mechanische Beständigkeit achten.
- Bei flexiblen Anschlussleitungen isolierte Aderendhülsen verwenden. Max. zulässiger Leitungsquerschnitt 1,5 mm².
- Anschlussleitungen müssen für den Umgebungstemperaturbereich der Applikation geeignet sein.
- Die Anschlussleitungen müssen auch für die mitgelieferte Kabelverschraubung geeignet sein (Durchmesserbereich siehe unten).
- Kabeleinführung mit den entsprechend zugelassenen verschließbaren Kabelverschraubungen dicht verschließen.
- Anschlusskabel fest verlegen.

Demontage Kabeldose

Die Kabeldose ist vormontiert und muss wie nachfolgend beschrieben zerlegt werden.



5. Inbetriebnahme, Betrieb

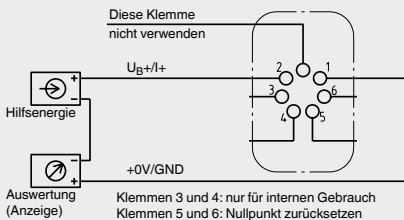
- Mit einem Schlitzschraubendreher (0,6 x 3,5 mm) die Schraube am Kabelhaubendeckel vollständig lösen und entnehmen.
- Die Kabelhaube samt Buchseneinsatz vom Kabellosenunterteil (fest mit Gerät verbunden) abziehen.
- Kabelhaubendeckel entfernen und den Buchseneinsatz ganz durch die Kabelhaube nach unten herausdrücken.

DE

Anschlussbelegung Kabeldose

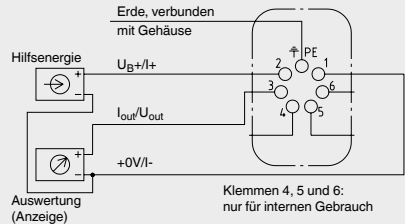
2-Leiter-Ausführung

z. B. 4 ... 20 mA



3-Leiter-Ausführung:

z. B. 0 ... 20 mA / 0 ... 10 V



Anschlussbelegung Typ PGT23.063

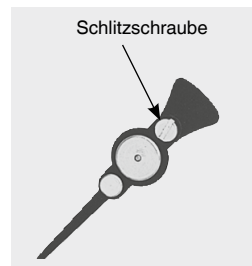
| Kabel | Stecker | Belegung |
|---------|---------|----------|
| rot | Pin 1 | UB+/I+ |
| schwarz | Pin 4 | 0 V/I- |
| braun | Pin 2 | n.c. |
| - - - | Pin 3 | n.c. |

5.3 Nullpunkteinstellung (nicht für PGT23.063)

Meist kann die Überprüfung und Einstellung des Nullpunktes im drucklosen Zustand erfolgen. Geräte deren Skalenanfang nicht bei Atmosphärendruck liegt müssen mit dem Druckwert des Skalenanfangs beaufschlagt werden. Bei Differenzdruckmanometern sollte die Einstellung des Nullpunktes durch Öffnen des Druckausgleichventils unter statischer Last erfolgen.

Mechanischer Nullpunkt

Bei Abweichung des Zeigers vom Nullpunkt (im drucklosen Zustand), kann die Nullpunkteinstellung über den eingebauten Verstellzeiger erfolgen. Hierzu den Bajonettring inklusive der Sichtscheibe und der Dichtung vom Gehäuse entfernen. Durch Drehen an der Schlitzschraube des Verstellzeigers kann eine mechanische Nullpunkteinstellung durchgeführt werden.



Elektrischer Nullpunkt

Wurde der mechanische Nullpunkt über den Verstellzeiger verändert, muss der elektrische Nullpunkt dem mechanischen angepasst werden. Dazu den Druckwert des Skalenanfangs anfahren. Der Skalenanfang entspricht dem kleinsten elektrischen Signal (je nach Variante entweder 0 mA, 4 mA oder 0 V).

DE

Mit einem kurzen, an beiden Enden abisolierten Stück Litzen Draht (maximal zulässiger Widerstand 30 Ω) Klemmen 5 und 6 am Buchseneinsatz überbrücken.

Montage Kabeldose

- Buchseneinsatz mit Kabelhaube verbinden und Kabelhaubendeckel mit Dichtung und Schraube zusammensetzen (siehe Zeichnung Kabeldose).
- Die gerade montierte Baugruppe auf das Kabeldosenunterteil mit Dichtung stecken.
- Mit einem Schlitzschraubendreher (0,6 x 3,5 mm) die Schraube am Kabelhaubendeckel vollständig einschrauben.



Damit die Schutzart erhalten bleibt, unbedingt die Dichtungen wieder montieren.

Nullpunkt in Transmitterelektronik speichern

Nach Einschalten der Hilfsenergie wird innerhalb von max. 30 Sekunden der neue Nullpunkt in der Transmitterelektronik gespeichert. Zur Kontrolle kann an einer Anzeigeeinheit (z. B. Strommessgerät) während dieser Zeit ein Stromanstieg in der Stromschleife auf 9,5 mA gemessen werden.

Überbrückung der Klemmen entfernen

- Hilfsenergie und Anzeigeeinheit ausschalten.
- Die oben beschriebene „Demontage Kabeldose“ durchführen.
- Den Litzen Draht zur Überbrückung der Klemmen 5 und 6 am Buchseneinsatz entfernen.
- Die oben beschriebene „Montage Kabeldose“ durchführen.

Das elektrische Ausgangssignal ist nun wieder deckungsgleich mit der Anzeige des mechanischen Zeigers.

Alle zur Nullpunkteinstellung geöffneten Ventile wieder schließen.

5.4 Inbetriebnahme

Druckstöße unbedingt vermeiden, Absperrventile langsam öffnen.

6. Störungen



GEFAHR!

Lebensgefahr durch Explosion

Durch Arbeiten in entzündlichen Atmosphären besteht Explosionsgefahr, die zum Tod führen kann.

- ▶ Störungen nur in nicht-entzündlichen Atmosphären beseitigen!



VORSICHT!

Körperverletzungen, Sach- und Umweltschäden

Können Störungen mit Hilfe der aufgeführten Maßnahmen nicht beseitigt werden, Gerät unverzüglich außer Betrieb setzen.

- ▶ Sicherstellen, dass kein Druck bzw. Signal mehr anliegt und gegen versehentliche Inbetriebnahme schützen.
- ▶ Kontakt mit dem Hersteller aufnehmen.
- ▶ Bei notwendiger Rücksendung die Hinweise unter Kapitel 8.2 „Rücksendung“ beachten.



WARNUNG!

Körperverletzungen, Sach- und Umweltschäden durch gefährliche Messstoffe

Bei Kontakt mit gefährlichen Messstoffen (z. B. Sauerstoff, Acetylen, brennbaren oder giftigen Stoffen), gesundheitsgefährdenden Messstoffen (z. B. ätzend, giftig, krebserregend, radioaktiv) sowie bei Kälteanlagen, Kompressoren besteht die Gefahr von Körperverletzungen, Sach- und Umweltschäden.

Am Gerät können im Fehlerfall aggressive Messstoffe mit extremer Temperatur und unter hohem Druck oder Vakuum anliegen.

- ▶ Bei diesen Messstoffen müssen über die gesamten allgemeinen Regeln hinaus die einschlägigen Vorschriften beachtet werden.
- ▶ Notwendige Schutzausrüstung tragen.



Kontaktdaten siehe Kapitel 1 „Allgemeines“ oder Rückseite der Betriebsanleitung.

6. Störungen

| Störungen | Ursachen | Maßnahmen |
|---|---|--|
| Kein Ausgangssignal. | Hilfsenergie unzureichend oder Leitungsbruch. | Spannungsversorgung und Leitungen prüfen. |
| | Falsche Anschlussbelegung. | Anschlussbelegung prüfen. |
| | Defekte Transmitterelektronik durch Überspannung. | Gerät austauschen. |
| Gleichbleibendes Ausgangssignal bei Druckänderung. | Druckkanal am Prozessanschluss verstopft. | Druckkanal am Prozessanschluss reinigen. |
| | Hilfsenergie verpolt angeschlossen. ($I = \text{ca. } 4,5 \text{ mA}$). | Anschlussbelegung prüfen. |
| | Defekte Transmitterelektronik | Gerät austauschen. |
| Zu hohes, bei Druckänderung gleichbleibendes Ausgangssignal. | Überbrückung der Klemmen 5 und 6 nicht entfernt ($I = \text{ca. } 9,5 \text{ mA}$). | Überbrückung der Klemmen entfernen. Siehe Kapitel 5.3. „Nullpunkt-einstellung“. |
| | Defekte Transmitterelektronik durch Überspannung. | Gerät austauschen. |
| Signalspanne zu klein. | Hilfsenergie unzureichend. | Spannungsversorgung und Leitungen prüfen. |
| | Bürde zu hoch. | Zulässige Bürde einhalten. |
| | Nullpunkt verstellt. | Siehe Kapitel 5.3. „Nullpunkt-einstellung“. |
| Nullpunktsignal zu klein oder zu groß. | Nullpunkt verstellt. | Siehe Kapitel 5.3. „Nullpunkt-einstellung“. |

Für den Austausch des Gerätes die Kapitel 8 „Demontage, Rücksendung und Entsorgung“ und 5 „Inbetriebnahme, Betrieb“ beachten.

7. Wartung und Reinigung

7.1 Wartung

Die Geräte sind wartungsfrei.

Eine Überprüfung der Anzeige und der Schaltfunktion sollte etwa 1- bis 2-mal pro Jahr erfolgen. Die Überprüfung kann getrennt vom Prozess mit einer Druckprüfvorrichtung durchgeführt werden.

Prüfung gefüllter Geräte

Für gefüllte Geräte ist der Füllstand etwa 1- bis 2-mal pro Jahr zu überprüfen.

Der Flüssigkeitsspiegel darf nicht unter 75 % des Gerätedurchmessers fallen.



WARNUNG!

Lebensgefahr durch unzulässiges Füllen/Nachfüllen des Gerätes mit Verlust des Explosionsschutzes

Das Füllen/Nachfüllen von Geräten von nicht-autorisierten Personen führt zum Verlust des Explosionsschutzes und kann zur Beschädigung des Gerätes führen.

- ▶ Instandsetzung der Geräte nur durch autorisierte Stellen durchführen lassen.
- ▶ Bei notwendiger Rücksendung die Hinweise unter Kapitel 8.2 „Rücksendung“ beachten.

Reparaturen sind ausschließlich vom Hersteller durchzuführen.

7.2 Reinigung



VORSICHT!

Körperverletzungen, Sach- und Umweltschäden

Eine unsachgemäße Reinigung führt zu Körperverletzungen, Sach- und Umweltschäden. Messstoffreste im ausgebauten Gerät können zur Gefährdung von Personen, Umwelt und Einrichtung führen.

- ▶ Reinigungsvorgang wie folgt beschrieben durchführen.

1. Vor der Reinigung das Gerät ordnungsgemäß von der Druckversorgung trennen, ausschalten und vom Netz trennen.
2. Notwendige Schutzausrüstung verwenden.
3. Das Gerät mit einem feuchten Tuch reinigen.
Elektrische Anschlüsse nicht mit Feuchtigkeit in Berührung bringen!



VORSICHT!

Beschädigung des Gerätes

Eine unsachgemäße Reinigung führt zur Beschädigung des Gerätes!

- ▶ Keine aggressiven Reinigungsmittel verwenden.
- ▶ Keine harten und spitzen Gegenstände zur Reinigung verwenden.

4. Ausgebautes Gerät spülen bzw. säubern, um Personen und Umwelt vor Gefährdung durch anhaftende Messstoffreste zu schützen.

8. Demontage, Rücksendung und Entsorgung



WARNUNG!

Körperverletzungen, Sach- und Umweltschäden durch Messstoffreste
Messstoffreste im ausgebauten Gerät können zur Gefährdung von Personen, Umwelt und Einrichtung führen.

- ▶ Notwendige Schutzausrüstung tragen.
- ▶ Angaben im Sicherheitsdatenblatt für den entsprechenden Messstoff beachten.
- ▶ Ausgebautes Gerät spülen bzw. säubern, um Personen und Umwelt vor Gefährdung durch anhaftende Messstoffreste zu schützen.

DE

8.1 Demontage



WARNUNG!

Verbrennungsgefahr

Beim Ausbau besteht Gefahr durch austretende, gefährlich heiße Messstoffe.

- ▶ Vor dem Ausbau das Gerät ausreichend abkühlen lassen!



GEFAHR!

Lebensgefahr durch elektrischen Strom

Bei Berührung mit spannungsführenden Teilen besteht unmittelbare Lebensgefahr.

- ▶ Die Demontage des Gerätes darf nur durch Fachpersonal erfolgen.
- ▶ Gerät im stromlosen Zustand demontieren.



WARNUNG!

Körperverletzung

Bei der Demontage besteht Gefahr durch aggressive Messstoffe und hohe Drücke.

- ▶ Angaben im Sicherheitsdatenblatt für den entsprechenden Messstoff beachten.
- ▶ Gerät im drucklosen Zustand demontieren.

Gegebenenfalls muss die Messleitung entspannt werden. Bei Plattenfedermanometern dürfen die Spanschrauben des Ober- und Unterflansches nicht gelöst werden.

8.2 Rücksendung

Beim Versand des Gerätes unbedingt beachten:

Alle an WIKA gelieferten Geräte müssen frei von Gefahrstoffen (Säuren, Laugen, Lösungen, etc.) sein und sind daher vor der Rücksendung zu reinigen.



WARNUNG!

Körperverletzungen, Sach- und Umweltschäden durch Messstoffreste
Messstoffreste im ausgebauten Gerät können zur Gefährdung von Personen, Umwelt und Einrichtung führen.

- ▶ Bei Gefahrstoffen das Sicherheitsdatenblatt für den entsprechenden Messstoff beilegen.
- ▶ Gerät reinigen, siehe Kapitel 7.2 „Reinigung“.

DE

Zur Rücksendung des Gerätes die Originalverpackung oder eine geeignete Transportverpackung verwenden.



Hinweise zur Rücksendung befinden sich in der Rubrik „Service“ auf unserer lokalen Internetseite.

8.3 Entsorgung

Durch falsche Entsorgung können Gefahren für die Umwelt entstehen. Gerätekomponenten und Verpackungsmaterialien entsprechend den landesspezifischen Abfallbehandlungs- und Entsorgungsvorschriften umweltgerecht entsorgen.



Nicht mit dem Hausmüll entsorgen. Für eine geordnete Entsorgung gemäß nationaler Vorgaben sorgen.

9. Technische Daten



GEFAHR!

Lebensgefahr durch Verlust des Explosionsschutzes

Das Nichtbeachten der Angaben für den Einsatz in explosionsgefährdeten Bereichen führt zum Verlust des Explosionsschutzes.

- ▶ Nachfolgende Grenzwerte und technische Angaben einhalten.
- ▶ Das Gehäuse enthält Teile aus nichtmetallischem Werkstoff, die aufgrund von Umgebungsbedingungen negativ beeinflusst werden können. Es muss sichergestellt werden, dass die nichtmetallischen Teile durch die Umgebungsbedingungen keinen Schaden nehmen.

Nichtmetallische Teile des Gehäuses

PUR, TPU, PA 6, EPDM, NBR (Option), FMQ (Option)

9.1 Elektrischer Anschluss

Standard-Kabeldose

Kabeldose, rechts am Gehäuse montiert.

Werkstoff: PA 6, schwarz

Nach VDE 0110 Isolationsgruppe C/250 V

Kabelverschraubung M20 x 1,5 (nach unten abgehend) mit Zugentlastung

6 Schraubklemmen + PE für Leiterquerschnitt 1,5 mm²

Kabelausgang

Kabellänge 2 m oder 5 m, nach rechts unten abgehend

Werkstoff: PVC

Miniaturstecker

Miniaturstecker M8 x 1, 4-polig

9. Technische Daten

9.2 Transmitterelektronik für Nicht-Ex-Bereiche

| Typ 891.44 | |
|--|---|
| Ausgangssignal | Variante 1: 4 ... 20 mA, 2-Leiter, passiv, nach NAMUR NE 43 Variante 3: 0 ... 20 mA, 3-Leiter Variante 4: 0 ... 10 V, 3-Leiter |
| Hilfsenergie U_B | Variante 1+3: DC 12 ... 30 V Variante 4: DC 15 ... 30 V |
| Einfluss der Hilfsenergie | $\leq 0,1\%$ vom Endwert/10 V |
| Zulässige Restwelligkeit von U_B | $\leq 10\%$ ss |
| Zulässige max. Bürde R_A | Variante 1, 3: $R_A \leq (U_B - 12 V)/0,02 A$ mit R_A in Ohm und U_B in Volt, jedoch max. 600 Ω Variante 4: $R_A = 100 k\Omega$ |
| Bürdeneinfluss (Variante 1 + 3) | $\leq 0,1\%$ vom Endwert |
| Impedanz am Spannungsausgang | 0,5 Ω |
| Langzeitstabilität Elektronik | $< 0,3\%$ vom Endwert pro Jahr |
| Elektr. Ausgangssignal | $\leq 1\%$ der Messspanne |
| Kennlinienabweichung | $\leq 1\%$ der Messspanne (Grenzpunkteinstellung) |
| Auflösung | 0,13 % vom Endwert (10 Bit Auflösung bei 360°) |
| Aktualisierungsrate (Messrate) | 600 ms |

DE

9.3 Transmitterelektronik für Ex-Bereiche

| Typ 892.44 | |
|--|---|
| Ausgangssignal | Variante 2: 4 ... 20 mA, 2-Leiter, für explosionsgefährdete Bereiche |
| Hilfsenergie U_B | DC 14 ... 30 V |
| Einfluss der Hilfsenergie | $\leq 0,1\%$ vom Endwert/10 V |
| Zulässige Restwelligkeit von U_B | $\leq 10\%$ ss |
| Zulässige max. Bürde R_A | $R_A \leq (U_B - 12 V)/0,02 A$ mit R_A in Ohm und U_B in Volt, jedoch max. 600 Ω |
| Bürdeneinfluss | $\leq 0,1\%$ vom Endwert |
| Impedanz am Spannungsausgang | 0,5 Ω |
| Langzeitstabilität Elektronik | $< 0,3\%$ vom Endwert pro Jahr |
| Elektr. Ausgangssignal | $\leq 1\%$ der Messspanne |
| Kennlinienabweichung | $\leq 1\%$ der Messspanne (Grenzpunkteinstellung) |
| Auflösung | 0,13 % vom Endwert (10 Bit Auflösung bei 360°) |
| Aktualisierungsrate (Messrate) | 600 ms |

Sicherheitstechnische Höchstwerte

| U_i | I_i | P_i | C_i | L_i |
|---------|--------|--------|-------|------------------|
| DC 30 V | 100 mA | 720 mW | 11 nF | vernachlässigbar |

Weitere Informationen siehe Anhang „EU-Konformitätserklärung“

9. Technische Daten

9.4 Manometer mit Ausgangssignal

Typ PGT23.063

| Druckbelastbarkeit | |
|--|---|
| Ruhebelastung | 3/4 x Skalenendwert |
| Wechselbelastung | 2/3 x Skalenendwert |
| Kurzzeitig | Skalenendwert |
| Temperatureinfluss | |
| Bei Abweichung von der Referenztemperatur (+20 °C) am Messsystem: max. $\pm 0,8 \%$ /10 K vom jeweiligen Skalenendwert | |
| Werkstoffe messstoffberührt | |
| Prozessanschluss, Messglied | CrNi-Stahl 316L |
| Werkstoffe nicht-messstoffberührt | |
| Gehäuse, Bajonettring | CrNi-Stahl |
| Zeigerwerk | Messing |
| Zifferblatt | Aluminium, weiß, Skalierung schwarz |
| Zeiger | Aluminium, schwarz |
| Sichtscheibe | Polycarbonat oder Mehrschichten-Sicherheitsglas |
| Schutzart nach IEC/EN 60529 | |
| IP54; Option: IP65 | |

Weitere technische Daten siehe Datenblatt PV 12.03

Typen PGT23.100, PGT23.160, PGT26.100, PGT26.160

| Druckbelastbarkeit | |
|--|--|
| Ruhebelastung | Skalenendwert |
| Wechselbelastung | 0,9 x Skalenendwert |
| Kurzzeitig | 1,3 x Skalenendwert |
| Temperatureinfluss | |
| Bei Abweichung von der Referenztemperatur (+20 °C) am Messsystem: max. $\pm 0,4 \%$ /10 K vom jeweiligen Skalenendwert | |
| Werkstoffe messstoffberührt | |
| Prozessanschluss, Messglied | PGT23.100, PGT23.160: CrNi-Stahl 316L PGT26.100, PGT26.160: Monel |
| Werkstoffe nicht-messstoffberührt | |
| Gehäuse, Bajonettring | CrNi-Stahl |
| Zeigerwerk | Messing |
| Zifferblatt | Aluminium, weiß, Skalierung schwarz |
| Instrumentenzeiger | Aluminium, schwarz |
| Zeiger | Aluminium, rot |
| Sichtscheibe | Mehrschichten-Sicherheitsglas |
| Schutzart nach IEC/EN 60529 | |
| IP65 ¹⁾ ; Option: IP66 | |

1) Schutzart IP54 bei Anschlusslage rückseitig exzentrisch unten.

Weitere technische Daten siehe Datenblatt PV 12.04

9. Technische Daten

Typen PGT43.100, PGT43.160

| | |
|--|--|
| Druckbelastbarkeit | |
| Ruhebelastung | Skalenendwert |
| Wechselbelastung | 0,9 x Skalenendwert |
| Überlastsicherheit | 5 x Skalenendwert, jedoch max. 40 bar |
| Temperatureinfluss | Bei Abweichung von der Referenztemperatur (+20 °C) am Messsystem: max. $\pm 0,8 \%$ /10 K vom jeweiligen Skalenendwert |
| Werkstoffe messstoffberührt | |
| Prozessanschluss mit unterem Messflansch | CrNi-Stahl 316L |
| Messglied | $\leq 0,25$ bar: CrNi-Stahl 316L > 0,25 bar: NiCr-Legierung (Inconel) |
| Dichtung | FPM/FKM |
| Werkstoffe nicht-messstoffberührt | |
| Gehäuse, Bajonettring | CrNi-Stahl |
| Zeigerwerk | Messing |
| Zifferblatt | Aluminium, weiß, Skalierung schwarz |
| Zeiger | Aluminium, schwarz |
| Sichtscheibe | Mehrschichten-Sicherheitsglas |
| Schutzart nach IEC/EN 60529 | IP54; Option: IP65 |

Weitere technische Daten siehe Datenblatt PV 14.03

Typ PGT43HP

| | |
|--|--|
| Druckbelastbarkeit | |
| Ruhebelastung | Skalenendwert |
| Wechselbelastung | 0,9 x Skalenendwert |
| Überlastsicherheit | 40, 100 oder 400 bar |
| Temperatureinfluss | Bei Abweichung von der Referenztemperatur (+20 °C) am Messsystem: max. $\pm 0,8 \%$ /10 K vom jeweiligen Skalenendwert |
| Werkstoffe messstoffberührt | |
| Prozessanschluss mit unterem Messflansch | CrNi-Stahl 316L |
| Messglied | $\leq 0,25$ bar: CrNi-Stahl 316L > 0,25 bar: NiCr-Legierung (Inconel) |
| Dichtung | FPM/FKM |
| Werkstoffe nicht-messstoffberührt | |
| Gehäuse, Bajonettring | CrNi-Stahl |
| Zeigerwerk | Messing |
| Zifferblatt | Aluminium, weiß, Skalierung schwarz |
| Zeiger | Aluminium, schwarz |
| Sichtscheibe | Mehrschichten-Sicherheitsglas |
| Schutzart nach IEC/EN 60529 | IP54; Option: IP65 |

Weitere technische Daten siehe Datenblatt PV 14.07

9. Technische Daten

Typ PGT63HP

| | |
|--|--|
| Druckbelastbarkeit | |
| Ruhebelastung | Skalenendwert |
| Wechselbelastung | 0,9 x Skalenendwert |
| Überlastsicherheit | 50 x Skalenendwert |
| Temperatureinfluss | Bei Abweichung von der Referenztemperatur (+20 °C) am Messsystem: max. $\pm 0,6 \%$ /10 K vom jeweiligen Skalenendwert |
| Werkstoffe messstoffberührt | |
| Prozessanschluss, Messglied | CrNi-Stahl 316Ti (1.4571) |
| Dichtung | PTFE |
| Werkstoffe nicht-messstoffberührt | |
| Gehäuse, Bajonettring | CrNi-Stahl |
| Zeigerwerk | Messing |
| Zifferblatt | Aluminium, weiß, Skalierung schwarz |
| Zeiger | Aluminium, schwarz |
| Sichtscheibe | Mehrschichten-Sicherheitsglas |
| Schutzart nach IEC/EN 60529 | IP54 |

Weitere technische Daten siehe Datenblatt PV 16.06

Typ APTG43

| | |
|--|--|
| Druckbelastbarkeit | |
| Ruhebelastung | Skalenendwert |
| Wechselbelastung | 0,9 x Skalenendwert |
| Überlastsicherheit | mindestens 1 bar Absolutdruck (Atmosphärendruck), darüber hinaus 10 x Skalenendwert, max. 25 bar Absolutdruck |
| Temperatureinfluss | Bei Abweichung von der Referenztemperatur (+20 °C) am Messsystem: max. $\pm 0,8 \%$ /10 K vom jeweiligen Skalenendwert |
| Werkstoffe messstoffberührt | |
| Prozessanschluss | CrNi-Stahl 316L |
| Messglied | $\leq 0,25$ bar: CrNi-Stahl 316Ti (1.4571) > 0,25 bar: NiCr-Legierung (Inconel) |
| Werkstoffe nicht-messstoffberührt | |
| Gehäuse, Bajonettring | CrNi-Stahl |
| Zeigerwerk | Messing |
| Zifferblatt | Aluminium, weiß, Skalierung schwarz |
| Zeiger | Aluminium, schwarz |
| Sichtscheibe | Mehrschichten-Sicherheitsglas |
| Schutzart nach IEC/EN 60529 | IP54; Option: IP65 |

Weitere technische Daten siehe Datenblatt PV 15.02

9. Technische Daten

Typen DPGT43.100, DPGT43.160

| | |
|--|--|
| Druckbelastbarkeit | |
| Ruhebelastung | Skalenendwert |
| Wechselbelastung | 0,9 x Skalenendwert |
| Überlastsicherheit und max. Betriebsdruck | siehe nachfolgende Tabelle |
| Temperatureinfluss | Bei Abweichung von der Referenztemperatur (+20 °C) am Messsystem: max. $\pm 0,5 \%$ /10 K vom jeweiligen Skalenendwert |
| Werkstoffe messstoffberührt | |
| Messstoffraum mit Prozessanschluss, Entlüftung der Messstoffräume, Faltenbälge | CrNi-Stahl 316Ti (1.4571) |
| Messglied | $\leq 0,25$ bar: CrNi-Stahl 316L $> 0,25$ bar: NiCr-Legierung (Inconel) |
| Werkstoffe nicht-messstoffberührt | |
| Gehäuse, Bajonettring | CrNi-Stahl |
| Zeigerwerk | Messing |
| Zifferblatt | Aluminium, weiß, Skalierung schwarz |
| Zeiger | Aluminium, schwarz |
| Sichtscheibe | Mehrschichten-Sicherheitsglas |
| Schutzart nach IEC/EN 60529 | IP54; Option: IP65 |

DE

Überlastsicherheit und max. Betriebsdruck

| Anzeigebereiche | Überlastsicherheit in bar ein-, beid-, und wechselseitig max. | | Max. Betriebsdruck in bar (statischer Druck) | |
|-----------------------------|---|--------|--|--------|
| | Standard | Option | Standard | Option |
| 0 ... 16 bis 0 ... 40 mbar | 2,5 | - | 2,5 | 6 |
| 0 ... 60 bis 0 ... 250 mbar | 2,5 | 6 | 6 | 10 |
| 0 ... 400 mbar | 4 | 40 | 25 | 40 |
| 0 ... 0,6 bar | 6 | 40 | 25 | 40 |
| 0 ... 1 bar | 10 | 40 | 25 | 40 |
| 0 ... 1,6 bar | 16 | 40 | 25 | 40 |
| 0 ... 2,5 bis 0 ... 25 bar | 25 | 40 | 25 | 40 |

Weitere technische Daten siehe Datenblatt PV 17.05

9. Technische Daten

Typen DPGT43HP.100, DPGT43HP.160

| | |
|--|---|
| Druckbelastbarkeit | |
| Ruhebelastung | Skalenendwert |
| Wechselbelastung | 0,9 x Skalenendwert |
| Überlastsicherheit und max. Betriebsdruck | Ein-, beid- und wechselseitig max. 40, 100, 250 oder 400 bar |
| Temperatureinfluss | Bei Abweichung von der Referenztemperatur (+20 °C) am Messsystem: max. $\pm 0,5\%$ /10 K vom jeweiligen Skalenendwert |
| Werkstoffe messstoffberührt | |
| Messstoffraum mit Prozessanschluss, Entlüftung der Messstoffräume, Faltenbälge | CrNi-Stahl 316Ti (1.4571) |
| Messglied | $\leq 0,25$ bar: CrNi-Stahl 316L > 0,25 bar: CrNi-Stahl 316L/Inconel |
| Werkstoffe nicht-messstoffberührt | |
| Systemfüllflüssigkeit Messzelle | Silikonöl |
| Gehäuse, Zeigerwerk, Bajonettring | CrNi-Stahl |
| Zifferblatt | Aluminium, weiß, Skalierung schwarz |
| Zeiger | Aluminium, schwarz |
| Sichtscheibe | Mehrschichten-Sicherheitsglas |
| Schutzart nach IEC/EN 60529 | IP54; Option: IP65 |

Weitere technische Daten siehe Datenblatt PV 17.13

Sommaire

| | |
|--|------------|
| 1. Généralités | 64 |
| 2. Conception et fonction | 65 |
| 2.1 Vue générale | .65 |
| 2.2 Description | .65 |
| 2.3 Détail de la livraison | .65 |
| 3. Sécurité | 66 |
| 3.1 Explication des symboles | .66 |
| 3.2 Utilisation conforme à l'usage prévu | .66 |
| 3.3 Utilisation inappropriée | .67 |
| 3.4 Responsabilité de l'opérateur | .67 |
| 3.5 Qualification du personnel | .68 |
| 3.6 Personnel qualifié | .68 |
| 3.7 Etiquetage, marquages de sécurité | .68 |
| 3.8 Marquage Ex (option) | .70 |
| 3.9 Spécifications et limites de température | .70 |
| 3.10 Conditions spécifiques pour une utilisation sûre (conditions X) | .72 |
| 4. Transport, emballage et stockage | 73 |
| 4.1 Transport | .73 |
| 4.2 Emballage et stockage | .73 |
| 5. Mise en service, utilisation | 74 |
| 5.1 Raccordement mécanique | .74 |
| 5.2 Raccordement électrique | .77 |
| 5.3 Réglage du point zéro (pas pour PGT23.063) | .79 |
| 5.4 Mise en service | .80 |
| 6. Dysfonctionnements | 81 |
| 7. Entretien et nettoyage | 82 |
| 7.1 Entretien | .82 |
| 7.2 Nettoyage | .83 |
| 8. Démontage, retour et mise au rebut | 84 |
| 8.1 Démontage | .84 |
| 8.2 Retour | .84 |
| 8.3 Mise au rebut | .85 |
| 9. Spécifications | 86 |
| 9.1 Raccordement électrique | .86 |
| 9.2 Transmetteurs électroniques pour zones non explosives | .87 |
| 9.3 Electronique de transmetteur pour zones explosives | .87 |
| 9.4 Manomètres avec signal de sortie | .88 |
| Annexe : Déclaration de conformité UE | 123 |

Déclarations de conformité disponibles sur www.wika.fr.

1. Généralités

- Le manomètre de contact décrit dans le mode d'emploi est conçu et fabriqué selon les dernières technologies en vigueur. Tous les composants sont soumis à des exigences environnementales et de qualité strictes durant la fabrication. Nos systèmes de gestion sont certifiés selon ISO 9001 et ISO 14001.
- Ce mode d'emploi donne des indications importantes concernant l'utilisation de l'instrument. Il est possible de travailler en toute sécurité avec ce produit en respectant toutes les consignes de sécurité et d'utilisation.
- Respecter les prescriptions locales de prévention contre les accidents et les prescriptions générales de sécurité en vigueur pour le domaine d'application de l'instrument.
- Le mode d'emploi fait partie de l'instrument et doit être conservé à proximité immédiate de l'instrument et accessible à tout moment pour le personnel qualifié.
- Le personnel qualifié doit, avant de commencer toute opération, avoir lu soigneusement et compris le mode d'emploi.
- La responsabilité du fabricant n'est pas engagée en cas de dommages provoqués par une utilisation non conforme à l'usage prévu, de non respect de ce mode d'emploi, d'utilisation de personnel peu qualifié de même qu'en cas de modifications de l'instrument effectuées par l'utilisateur.
- Les conditions générales de vente mentionnées dans les documents de vente s'appliquent.
- Sous réserve de modifications techniques.
- Pour obtenir d'autres informations :
 - Consulter notre site Internet : www.wika.fr

| Type | Transmetteurs électroniques pour zones non explosives | | Transmetteurs électroniques pour zones explosives | | Fiche technique |
|-----------------------------|---|-------------------------|---|-------------------------|-----------------|
| | Type | Exécution ¹⁾ | Type | Exécution ¹⁾ | |
| PGT23.063 | 891.44 | 1, 3, 4 | - | - | PV 12.03 |
| PGT23.1x0, PGT26.1x0 | 891.44 | 1, 3, 4 | 892.44 | 2 | PV 12.04 |
| PGT43 | 891.44 | 1, 3, 4 | 892.44 | 2 | PV 14.03 |
| PGT43HP | 891.44 | 1, 3, 4 | 892.44 | 2 | PV 14.07 |
| PGT63HP | 891.44 | 1, 3, 4 | 892.44 | 2 | PV 16.06 |
| APGT43 | 891.44 | 1, 3, 4 | 892.44 | 2 | PV 15.02 |
| DPGT43 | 891.44 | 1, 3, 4 | 892.44 | 2 | PV 17.05 |
| DPGT43HP | 891.44 | 1, 3, 4 | 892.44 | 2 | PV 17.13 |

1) Exécution du signal de sortie
 1 : 4 ... 20 mA, 2 fils, passif, selon NAMUR NE43
 2 : 4 ... 20 mA, 2 fils, pour zones dangereuses
 3 : 0 ... 20 mA, 3 fils
 4 : 0 ... 10 V, 3 fils

Pour les instruments munis en plus d'un ou plusieurs contacts électriques, le mode d'emploi suivant s'applique aussi :

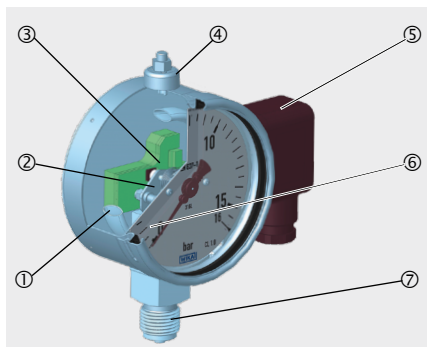
- "Manomètres avec contact inductif type 831, pour zones explosives", numéro d'article 14320154
- "Manomètres avec contact électrique types 821, 851 ou 830 E", numéro d'article 14057651

2. Conception et fonction

2.1 Vue générale

Exemple type PGT23.100, exécution "S3" selon EN 837

- ① Élément de mesure
- ② Mouvement
- ③ Transmetteurs électroniques
- ④ Robinet d'équilibrage de pression
- ⑤ Raccordement électrique avec boîte de câbles
- ⑥ Verre de sécurité feuilleté
- ⑦ Raccord process



FR

2.2 Description

Pour les instruments décrits ici, on emploie communément un tube manométrique, un élément à membrane, une capsule et des éléments de mesure en acier en raison de leur solidité et de leur facilité d'utilisation. Sous l'influence de la pression, les éléments de pression se déforment dans les limites de leur élasticité. Un mouvement mécanique transforme cette déformation en un mouvement de rotation. Un aimant placé sur l'axe de l'aiguille tourne proportionnellement à l'aiguille de l'instrument en tant que fonction linéaire directe de la pression de process. Le capteur d'angle contenu dans le transmetteur électronique mesure le mouvement de rotation de l'aimant sur l'étendue 0 ... 270°.

Le changement d'angle est enregistré sans aucun contact et est ainsi sans usure, et il est transformé en un signal de sortie analogique via un amplificateur. L'échelle du signal de sortie électrique correspond à l'intervalle de mesure sur le cadran.

Exécution de sécurité "S3" selon EN 837

Cette exécution est composée d'un verre de sécurité feuilleté, d'une cloison de sécurité entre le système de mesure et le cadran et d'une paroi arrière éjectable. En cas de panne, l'opérateur est protégé sur l'avant, car le fluide ou les composants peuvent seulement être éjectés par l'arrière du boîtier.

Version Ex

Tous les instruments, sauf le type PGT23.063, sont aussi disponibles en option dans une exécution pour zones explosives.

2.3 Détail de la livraison

Comparer le détail de la livraison avec le bordereau de livraison.

3. Sécurité

3.1 Explication des symboles



AVERTISSEMENT !

... indique une situation présentant des risques susceptibles de provoquer la mort ou des blessures graves si elle n'est pas évitée.



ATTENTION !

... indique une situation potentiellement dangereuse et susceptible de provoquer de légères blessures ou des dommages pour le matériel et pour l'environnement si elle n'est pas évitée.



DANGER !

... indique les dangers liés au courant électrique. Danger de blessures graves ou mortelles en cas de non respect des consignes de sécurité.



AVERTISSEMENT !

... indique une situation en zone explosive présentant des risques susceptibles de provoquer la mort ou des blessures graves si elle n'est pas évitée.



AVERTISSEMENT !

... indique une situation présentant des risques susceptibles de provoquer des brûlures dues à des surfaces ou liquides chauds si elle n'est pas évitée.



Information

... met en exergue des conseils et recommandations utiles de même que des informations permettant d'assurer un fonctionnement efficace et normal.

3.2 Utilisation conforme à l'usage prévu

Les manomètres avec signal de sortie combinent un système de mesure mécanique avec un traitement de signal électronique et sont utilisés pour contrôler les valeurs de process ainsi que pour la surveillance d'installations dans des applications industrielles. Cet instrument offre de nombreuses possibilités d'application pour fluides gazeux et liquides agressifs non hautement visqueux ou cristallisants.

Utiliser l'instrument uniquement dans des applications qui se trouvent dans les limites de ses performances techniques (par exemple limites de température, compatibilité de matériau, ...).

→ Pour les limites de performance voir chapitre 9 "Spécifications"

Ces instruments sont conçus et construits exclusivement pour une utilisation conforme à l'usage prévu décrit ici, et ne doivent être utilisés qu'à cet effet.

Aucune réclamation ne peut être recevable en cas d'utilisation non conforme à l'usage prévu.

3.3 Utilisation inappropriée



AVERTISSEMENT !

Blessures à cause d'une utilisation inappropriée

Une utilisation inappropriée peut conduire à des situations dangereuses et à des blessures.

- ▶ S'abstenir de modifications non autorisées sur l'instrument
- ▶ Ne pas utiliser l'instrument avec un fluide abrasif ou visqueux.
Les exceptions sont des manomètres à membrane (types PGT43 et PGT43HP) avec des membranes à revêtement spécial (abrasives) ou des versions avec des brides de raccordement ouvertes (visqueuses).

Toute utilisation différente ou au-delà de l'utilisation prévue est considérée comme inappropriée.

3.4 Responsabilité de l'opérateur

L'instrument est prévu pour un usage dans le domaine industriel. L'opérateur est de ce fait responsable des obligations légales en matière de sécurité du travail.

Les instructions de sécurité de ce mode d'emploi comme les réglementations liées à la sécurité, à la prévention des accidents et à la protection de l'environnement pour le domaine d'application doivent être respectées.

L'opérateur doit s'assurer que l'étiquette du produit reste lisible.

Afin de travailler en toute sécurité sur l'instrument, la société exploitante doit s'assurer

- qu'un équipement de premier secours adapté est disponible et que les premiers soins peuvent être dispensés sur place à tout moment en cas de besoin.
- que le personnel de service soit formé à intervalles réguliers sur tous les sujets concernant la sécurité du travail, les premiers secours et la protection de l'environnement et qu'il connaît le mode d'emploi et particulièrement les consignes de sécurité contenues dans celui-ci.
- que l'instrument est adapté à l'application en respect de l'usage prévu de l'instrument.
- qu'un équipement de protection est disponible.



Sur les parties en contact avec le fluide, de petites quantités résiduelles de fluide de réglage (par exemple air comprimé, eau, huile) peuvent adhérer, provenant de la production. Avec les exigences accrues concernant la propreté technique, l'opérateur doit vérifier l'aptitude pour l'application avant la mise en service.



Les fluides liquides ayant la propriété de changer de volume lors de la solidification peuvent endommager le système de mesure (par exemple de l'eau si elle passe en-dessous du point de congélation).

3.5 Qualification du personnel



AVERTISSEMENT !

Danger de blessure en cas de qualification insuffisante !

Une utilisation non conforme peut entraîner d'importants dommages corporels et matériels.

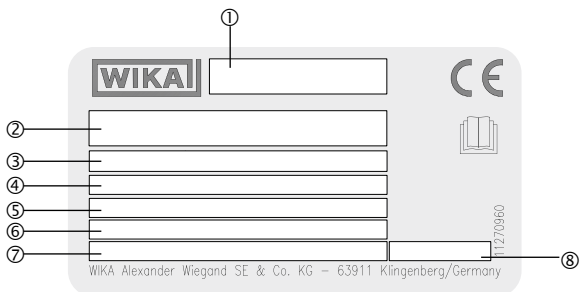
Les opérations décrites dans ce mode d'emploi ne doivent être effectuées que par un personnel ayant la qualification décrite ci-après.

3.6 Personnel qualifié

Le personnel qualifié est, en raison de sa formation spécialisée, de ses connaissances dans le domaine de la technique de mesure et de régulation et de ses expériences de même que de sa connaissance des prescriptions nationales, des normes et directives en vigueur, en mesure d'effectuer les travaux décrits et de reconnaître automatiquement les dangers potentiels.

3.7 Etiquetage, marquages de sécurité

Plaque signalétique version Non-Ex (exemple PGT23.063)



① Type d'instrument

② Type + transmetteurs électroniques

③ Echelle de mesure

④ Signal de sortie

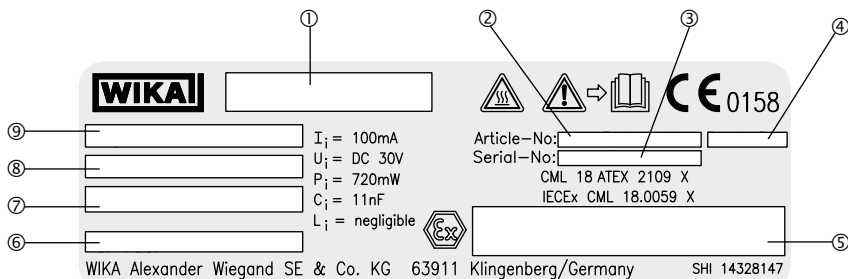
⑤ Tension d'alimentation

⑥ Remplissage de boîtier

⑦ Numéro d'article

⑧ Date de fabrication (mois/année)

Plaque signalétique version Ex (exemple)



- | | |
|--------------------------------------|--------------------------|
| ① Type + transmetteurs électroniques | ⑥ Remplissage de boîtier |
| ② Numéro d'article | ⑦ Tension d'alimentation |
| ③ Numéro de série | ⑧ Signal de sortie |
| ④ Date de fabrication (mois/année) | ⑨ Echelle de mesure |
| ⑤ Marquage Ex | |



Lire impérativement le mode d'emploi avant le montage et la mise en service de l'instrument !



Danger de brûlure !

Situation présentant des risques dus à des surfaces chaudes.



L'instrument qui porte ce marquage est un manomètre de sécurité avec cloison de sécurité en conformité avec EN 837, exécution de sécurité "S3".



Ne pas mettre au rebut avec les ordures ménagères. Assurer une mise au rebut correcte en conformité avec les réglementations nationales.

Plaque supplémentaire version Ex

Pour les instruments avec revêtement PTFE et avec le marquage
Ex : II 2G Ex ia IIC T6/T5/T4 Gb

WARNING – POTENTIAL
ELECTROSTATIC CHARGING
HAZARD IN THE PTFE LINED
PROCESS CONNECTION AREA
14306388

Pour les instruments avec revêtement PTFE, des mesures doivent être prises dans la zone du revêtement, si nécessaire, afin d'exclure toute charge électrostatique.

3.8 Marquage Ex (option)



DANGER !

Danger vital dû à la perte de la protection contre les explosions

Le non respect de ces instructions et de leurs contenus peut entraîner une perte de la protection contre les explosions.

- ▶ Observer les instructions de sécurité de ce chapitre et les autres instructions liées à la protection contre les explosions de ce mode d'emploi.
- ▶ Respecter les indications de l'attestation d'examen de type valable de même que les prescriptions nationales respectives concernant le montage et l'utilisation en zone explosive (par exemple CEI 60079-14, NEC, CEC).

Contrôler que la classification est adaptée à l'application. Observer les réglementations nationales concernées.

Instruments sans revêtement PTFE

| Zone Ex | ATEX | IECEX |
|--------------------------|-------|-----------------------------------|
| Zone 1 gaz | II 2G | Ex ia IIC T6/T5/T4 Gb |
| Zone 21 poussière | II 2D | Ex ia IIIB T85°C/T100°C/T135°C Db |

Instruments avec revêtement PTFE

En option avec les types : PGT43, PGT43HP

| Zone Ex | ATEX | IECEX |
|-------------------|-------|---|
| Zone 1 gaz | II 2G | Ex ia IIC T6/T5/T4 Gb (avec plaque supplémentaire, voir chapitre 3.7) |
| | | Ex ia IIA T6/T5/T4 Gb (en option) |

3.9 Spécifications et limites de température

Indice de protection selon CEI/EN 60529

Pour des informations sur l'indice de protection de chaque instrument, voir chapitre 9 "Spécifications". Pour l'évaluation IECEx, un indice de protection de IP20 a été présumé.

Plages de températures admissibles

Pour déterminer la température maximale sur l'instrument, outre la température du fluide, d'autres influences telles que la température ambiante et, le cas échéant, le rayonnement solaire doivent être prises en compte.

3. Sécurité

Zones de gaz explosifs

| Classe de température requise (température d'ignition) | Plage de température admissible sur l'instrument |
|--|--|
| T6 | -20 ... +45 °C |
| T5 | -20 ... +60 °C |
| T4 ... T1 | -20 ... +60 °C (+70 °C en option) |

FR

Zones de poussière explosives

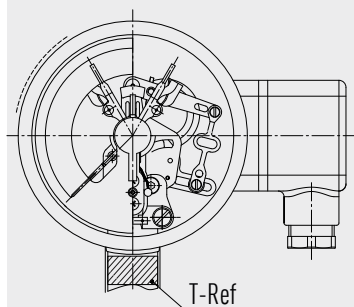
| Température de surface maximale | Plage de température admissible sur l'instrument |
|---------------------------------|--|
| T85°C | -20 ... +45 °C |
| T100°C | -20 ... +60 °C |
| T135°C | -20 ... +60 °C (+70 °C en option) |

L'installation doit être faite de telle sorte que la plage de température de l'instrument, compte tenu également des effets de convection et de rayonnement thermique, ne dépasse ni ne tombe au-dessous des limites admissibles.

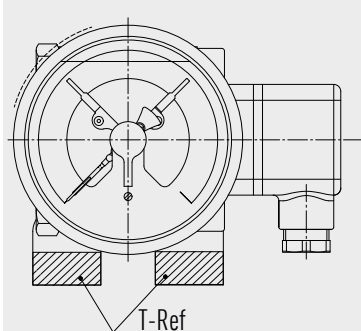
Les plages de température admissibles ne doivent pas être dépassées sur l'instrument. Si nécessaire, il faut prendre des mesures pour le refroidissement (par exemple siphon, soupape d'instrumentation).

L'opérateur doit assurer la conformité avec la plage de température admissible lors du fonctionnement. La zone indiquée dans l'image suivante "T-Ref" peut être utilisée dans ce but.

Manomètre



Manomètre différentiel



3.10 Conditions spécifiques pour une utilisation sécurisée (conditions X)

- i. La classe de température et la température maximale ambiante admissible dépendent des options installées dans les installations et peuvent ne pas être marquées sur la plaque signalétique. L'utilisateur se référera à ce certificat et aux instructions du matériel pour obtenir des détails concernant la classe de température applicable et la plage de température ambiante.
- ii. L'utilisateur doit prendre en compte le fait que la chaleur peut être transportée le long de l'instrument de mesure et que l'équipement ne doit pas dépasser la température ambiante maximale admissible. Pour plus d'informations, se référer au mode d'emploi.
- iii. Les instruments qui contiennent un revêtement PTFE peuvent être identifiés pour une utilisation en Groupe IIB seulement. L'utilisateur devra s'assurer que des instruments identifiés comme tels ne sont pas utilisés dans des zones explosives appartenant au Groupe IIC Gaz ou au Groupe III Poussière.
- iv. Les instruments qui contiennent un revêtement PTFE peuvent être identifiés pour une utilisation en zone explosive en Groupe IIC Gaz et Groupe IIB Poussière. De tels instruments sont munis d'une étiquette d'avertissement informant l'utilisateur d'un danger électrostatique potentiel dans la zone du raccord process. L'utilisateur devra prendre toutes les précautions nécessaires pour réduire le risque de décharges électrostatiques au sein du raccord process.
- v. L'équipement peut contenir un câble intégral. L'utilisateur devra vérifier que, lorsqu'il est installé, le câble est bien mis en place et protégé contre tout dommage mécanique.
- vi. Pour les applications de Groupe III, dans certaines circonstances extrêmes, le revêtement non-métallique du boîtier de l'équipement peut générer un niveau de charge électrostatique susceptible de s'enflammer. C'est pourquoi l'équipement ne doit pas être installé dans un endroit où les conditions extérieures provoquent la formation de charges électrostatiques sur de telles surfaces. L'utilisateur ou l'installateur doit mettre en œuvre des précautions pour empêcher la formation de charges électrostatiques, par exemple placer l'équipement à un endroit où il y a peu de chances qu'un mécanisme créant de telles charges (comme de la poussière emportée par le vent) soit présent et nettoyer avec un chiffon humide.

4. Transport, emballage et stockage

4.1 Transport

Vérifier s'il existe des dégâts sur l'instrument liés au transport.

Communiquer immédiatement les dégâts constatés.



ATTENTION !

Dommages liés à un transport inapproprié

Un transport inapproprié peut donner lieu à des dommages importants.

- ▶ Lors du déchargement des colis à la livraison comme lors du transport des colis en interne après réception, procéder avec précaution et respecter les symboles sur l'emballage.
- ▶ Lors du transport en interne après réception, observer les instructions du chapitre 4.2 "Emballage et stockage".



Les chocs peuvent causer la formation de petites bulles dans le fluide de remplissage des instruments remplis. Ceci n'a aucun effet sur le fonctionnement de l'instrument.

4.2 Emballage et stockage

N'enlever l'emballage qu'avant le montage.

Conserver l'emballage, celui-ci offre, lors d'un transport, une protection optimale (par ex. changement de lieu d'utilisation, renvoi pour réparation).

Conditions admissibles sur le lieu de stockage :

Température de stockage : -20 ... +70 °C

Eviter les influences suivantes :

- Lumière solaire directe ou proximité d'objets chauds
- Vibrations mécaniques, chocs mécaniques (mouvements brusques en le posant)
- Suie, vapeur, poussière et gaz corrosifs
- Environnements dangereux, atmosphères inflammables

Conserver l'instrument dans l'emballage original dans un endroit qui satisfait aux conditions susmentionnées.

5. Mise en service, utilisation

Personnel : personnel qualifié

Avant l'installation, la mise en service et le fonctionnement, assurez-vous que l'instrument approprié a été choisi en termes d'échelle de mesure, d'exécution et de conditions de mesure spécifiques.



AVERTISSEMENT !

Blessures physiques et dommages aux équipements et à l'environnement causés par un fluide dangereux

Lors du contact avec un fluide dangereux (par exemple avec des substances inflammables ou toxiques), un fluide nocif (par exemple corrosif, toxique, cancérigène, radioactif), il y a un danger de blessures physiques et de dommages aux équipements et à l'environnement.

En cas d'erreur, des fluides agressifs peuvent être présents à une température extrême et sous une pression élevée au niveau de l'instrument.

- ▶ Pour ces fluides, les codes et directives appropriés existants doivent être observés en plus des réglementations standards.
- ▶ Porter l'équipement de protection requis.



AVERTISSEMENT !

Blessures physiques et dommages aux équipements et à l'environnement causés par un fluide qui s'échapperait sous haute pression

Avec la pressurisation de l'instrument, si l'étanchéité du raccord process est insuffisante, des fluides sous haute pression peuvent s'échapper.

En raison de la haute énergie du fluide qui pourrait s'échapper en cas de défaillance, il existe un danger de blessures physiques et de dommages au matériel.

- ▶ L'étanchéité du raccord process doit être effectuée par des spécialistes et vérifiée pour voir s'il y a des fuites.

5.1 Raccordement mécanique

Conformément aux règles techniques générales pour les manomètres (par exemple EN 837-2 "Recommandations sur le choix et l'installation des manomètres").

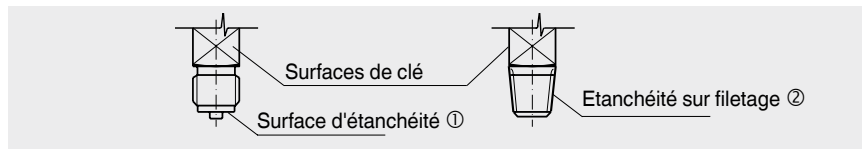
Les instruments doivent être mis à la terre à l'aide du raccord process. C'est pourquoi des joints d'étanchéité conducteurs d'électricité doivent être utilisés sur le raccord process. Comme alternative, prendre d'autres mesures pour la mise à la terre. Les mesures de mise à la terre installées en usine (par exemple des points de soudure ou des fusibles à plaque) doivent donc être utilisées pour intégrer les instruments dans le système de liaison équipotentielle, et ne doivent en aucun cas être supprimées. Assurez-vous que les mesures de mise à la terre sont bien réinstallées après le démontage (par exemple lors du remplacement de l'instrument).

5. Mise en service, utilisation

Lors du montage des instruments, la force requise pour l'étanchéité ne doit pas être appliquée sur le boîtier, mais seulement sur les surfaces de clé prévues, et ce avec un outil approprié.



Pour les filetages parallèles, utiliser des joints d'étanchéité plats, des bagues d'étanchéité de type lentille ou des joints à écrasement WIKAI sur la face d'étanchéité ①. Pour des filetages coniques (par exemple des filetages NPT), l'étanchéité doit se faire sur les filetages ② en utilisant un matériau d'étanchéité approprié (EN 837-2).



Le couple de serrage dépend du joint d'étanchéité utilisé. Pour orienter l'instrument de mesure de sorte qu'il puisse être consulté facilement, un raccordement avec un manchon de serrage ou un écrou-chapeau doit être utilisé. Au cas où un instrument est équipé d'une paroi arrière éjectable, celle-ci doit être protégée contre un blocage par des pièces d'appareil et contre la crasse.

Installation

- Position de base selon EN 837-3 / 9.6.6 image 7: 90° (⊥)
- Raccord process vertical
- Pour les appareils remplis le levier de mise à l'atmosphère au sommet du boîtier doit être ouvert avant la mise en service !
- Pour les applications en extérieur, l'emplacement sélectionné de l'installation doit être adapté à l'indice de protection spécifié, de sorte que l'instrument ne soit pas exposé à des conditions météorologiques inadmissibles.
- Afin d'éviter tout échauffement supplémentaire, les instruments ne doivent pas être exposés directement aux rayons du soleil pendant le fonctionnement !
- Pour assurer que la pression puisse être mise à l'atmosphère en toute sécurité en cas de défaillance, il faut maintenir une distance minimale de 20 mm par rapport à tout objet à cause de la paroi arrière éjectable.

Exigences relatives au point de montage

Si la conduite de l'instrument de mesure n'est pas suffisamment stable, il est recommandé de fixer l'instrument au moyen d'une potence de fixation appropriée. S'il n'est pas possible d'éviter les vibrations par un montage approprié, il convient d'utiliser des instruments remplis. Les instruments doivent être protégés contre un encrassement important et contre les fluctuations de la température ambiante.

5. Mise en service, utilisation

Contrainte de vibration admissible sur le point de montage

L'instrument ne doit être installé que dans des endroits exempts de vibrations. Si nécessaire, il est possible d'isoler l'instrument du lieu d'installation en utilisant par exemple une ligne de raccordement flexible entre le point de mesure et l'instrument et en fixant ce dernier à l'aide d'un support d'instrument mural.

FR Lorsque cela n'est pas possible, veiller à ce que les valeurs limites suivantes ne soient pas dépassées :

Plage de fréquence < 150 Hz

Accélération < 0,5 g (5 m/s²)

Raccord pour test

Dans des applications spécifiques (par exemple chaudières à vapeur), les dispositifs d'arrêt doivent avoir un raccord pour test, de sorte que l'instrument puisse être testé sans être démonté.

Charge de température

L'installation de l'instrument doit être faite de telle sorte que la température de fonctionnement admissible, compte tenu également des effets de convection et de rayonnement thermique, ne dépasse ni ne tombe au-dessous des limites admissibles. Ainsi, l'instrument et le dispositif d'isolement doivent être protégés par des conduites de mesure ou des siphons suffisamment longs.

L'influence de la température sur la précision de l'indication et de la mesure doit être considérée.



AVERTISSEMENT !

La température de surface maximale réelle ne dépend pas de l'équipement lui-même, mais principalement des conditions de fonctionnement. Avec les substances gazeuses, la température pourrait augmenter à la suite d'un échauffement de compression. Dans ces cas-là, il peut s'avérer nécessaire d'accélérer le taux de changement de pression ou de réduire la température du fluide admissible.

Mise en service du robinet d'équilibrage de pression

Les instruments équipés d'un robinet d'équilibrage de pression doivent, après l'installation, être mis à l'atmosphère pour obtenir une compensation de pression interne.

Outil : clé plate SW 9

1. Retirer le capuchon en plastique
2. Desserrer la connexion filetée au-dessus du corps du robinet
3. Visser à fond le corps du robinet, tourné à 180°, avec un couple ≤ 4,5 Nm

Avant la mise en service



Après la mise en service



Pour obtenir des informations concernant l'indice de protection, voir les Informations techniques IN 00.18.

Protection des éléments de pression de la surcharge

Si le fluide est soumis à des changements rapides de pression, ou si des pics de pression sont attendus, alors ceux-ci ne doivent pas agir directement sur l'élément de pression. Les effets des pics de pression doivent être amortis, par exemple par l'installation d'un étranglement (réduction de section transversale dans le port de pression) ou par le biais de l'addition d'un dispositif d'amortissement réglable.

5. Mise en service, utilisation

FR

Point de mesure de la pression

Le point de mesure de la pression doit être disposé avec un alésage aussi grand que possible (≥ 6 mm) au moyen d'un dispositif d'arrêt, de sorte que la mesure de la pression ne soit pas rendue erronée par un écoulement dans le fluide. La conduite de mesure entre les points de mesure de la pression et l'instrument doit avoir un diamètre interne suffisamment grand pour empêcher un blocage et un retard dans la transmission de la pression.




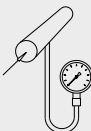
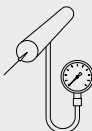
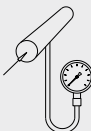
Gaine

Les conduites de mesure doivent être aussi courtes que possible et être disposées sans angles aigus afin d'éviter tout retard perturbant. Lors du placement de ces conduites, on recommande une inclinaison régulière d'environ 1:15.

La conduite de mesure doit être conçue et installée de façon à ce que les charges se produisant en raison d'expansion, de vibration et d'effets thermiques puissent être absorbées. Avec des fluides gazeux, un drainage doit être fourni au point le plus bas ; avec des fluides liquides, une mise à l'atmosphère doit être fournie au point le plus haut. La position de montage des instruments de mesure doit être choisie conformément à la norme EN 837-1, avec une inclinaison max. de 5° sur tous les côtés.

Installations de mesure

Installations de mesure éprouvées pour différents types de fluides.

| Remplissage de la conduite de mesure | Fluides liquides | | | Fluides gazeux | | |
|---|---|---|--|--|--|---|
| | liquide | liquide avec vapeur | complètement vaporisé | gazeux | partiellement condensé (humide) | complètement condensé |
| Exemples | condensat | Liquides bouillants | "gaz liquéfiés" | air sec | air humide gaz de combustion | vapeur |
| Manomètre au-dessus du point de mesure | | |  |  |  | |
| Manomètre en-dessous du point de mesure |  |  | | | |  |

5.2 Raccordement électrique

Les travaux de raccordement électrique ne doivent être effectués que par des personnels qualifiés. L'instrument est à inclure dans la compensation de potentiel de l'installation.

→ Pour les données de performance, voir chapitre 9 "Spécifications"

5. Mise en service, utilisation

Tension d'alimentation de la version non-Ex

Tension d'alimentation adéquate

Type KFA6-STR-1.24.500, 115/230 VAC, pour rail DIN, numéro de commande : 7305636

Tension d'alimentation de la version Ex

L'appareil ne doit être utilisé qu'en combinaison avec une alimentation de répéteur Ex appropriée.

Séparateur d'alimentation Ex approprié

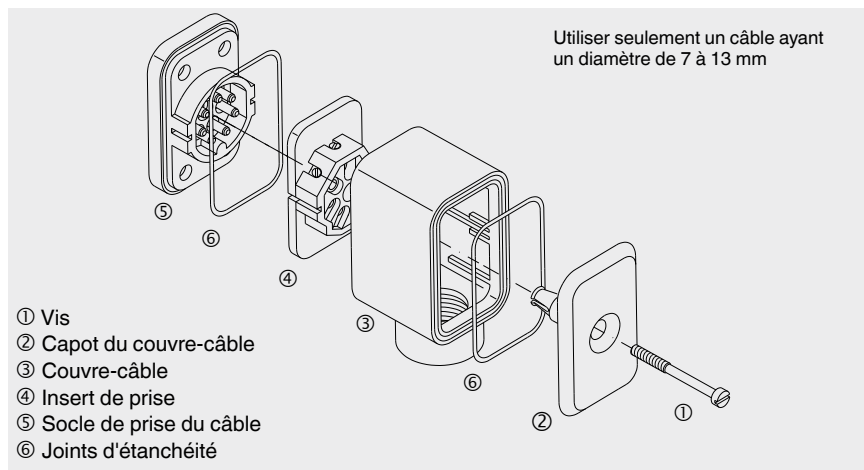
Type KFD2-STC4-Ex1, 20 ... 35 VDC, pour rail DIN, numéro de commande : 2341268

Consignes de sécurité pour l'installation

- Installer les instruments conformément aux instructions du fabricant et aux normes et réglementations en vigueur.
- Ne raccorder que des circuits ayant la même tension et le même type de protection contre l'ignition aux câbles de raccordement de l'instrument.
- Déterminer la taille des câbles de raccordement pour la plus grande intensité de courant électrique dans les circuits et s'assurer que la résistance aux rayons UV et aux contraintes mécaniques soit suffisante.
- Pour les câbles de raccordement flexibles, utiliser des embouts isolés. Section de conducteur max. admissible 1,5 mm².
- Les câbles de raccordement doivent être conformes à la plage de température ambiante de l'application.
- Les câbles de raccordement doivent également être adaptés au passe-câble à vis fourni (gamme de diamètres voir ci-dessous).
- Sceller l'entrée de câble avec les presse-étoupes homologués adéquats.
- Installer les câbles de raccordement en toute sécurité.

Démontage du boîtier de raccordement

Le boîtier de raccordement est pré-installé et doit être démonté comme décrit ci-dessous.



5. Mise en service, utilisation

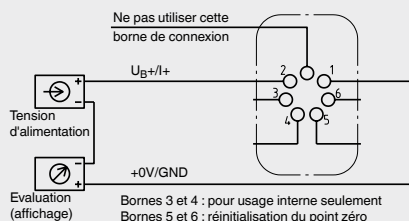
- Desserrer complètement les vis du capot du couvre-câble avec un tournevis à fente (0,6 x 3,5 mm) et les retirer.
- Retirer le cache-câble ainsi que l'insert de prise de la plaque de base de la prise de câble (relié en permanence à l'appareil).
- Retirer le capot du cache-câble et pousser l'insert de prise complètement vers l'extérieur, vers le bas, à travers le cache-câble.

FR

Configuration du boîtier de raccordement

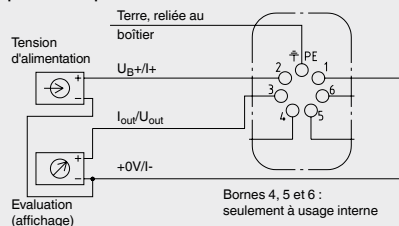
Système à 2 fils

par exemple 4 ... 20 mA



Système à 3 fils :

par exemple 0 ... 20 mA / 0 ... 10 V



Configuration du raccordement, type PGT23.063

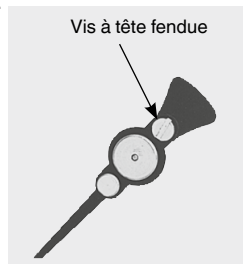
| Câble | Connecteur | Configuration |
|--------|------------|---------------|
| rouge | Broche 1 | U_B+/I_+ |
| noir | Broche 4 | 0 V/I- |
| marron | Broche 2 | n.c. |
| - - - | Broche 3 | n.c. |

5.3 Réglage du point zéro (pas pour PGT23.063)

Dans la plupart des cas, la vérification et le réglage du point zéro se font hors pression. Pour les instruments dont l'échelle ne débute pas à la pression atmosphérique, le manomètre doit être mis sous pression à la valeur de pression correspondant à la valeur du début de l'échelle. Avec les manomètres différentiels, le réglage du point zéro doit être effectué en ouvrant la soupape d'égalisation de pression sous charge statique.

Point zéro mécanique

En cas d'un écart par rapport au point zéro (appareil hors pression), le réglage du point zéro est possible au moyen de l'aiguille réglable. Pour cela, retirer du boîtier l'anneau à baïonnette avec le voyant et le joint d'étanchéité. Un réglage mécanique du point zéro peut être effectué en tournant la vis à fente de l'aiguille réglable.



Point zéro électrique

Si le point zéro mécanique a été modifié au moyen de l'aiguille réglable, le point zéro électrique doit être adapté au point zéro mécanique. Pour cela, il faut appliquer la valeur de pression correspondant au début de l'échelle. Le début de l'échelle correspond au plus petit signal électrique (soit 0 mA, 4 mA ou 0 V selon la version de l'instrument).

FR

Avec une petite partie de fil torsadé (résistance maximale admissible 30 Ω), dénudé aux deux extrémités, ponter les contacts 5 et 6 sur l'insert de prise.

Montage du boîtier de raccordement

- Relier l'insert de boîtier au couvercle de câble et assembler le couvre-câble avec le joint d'étanchéité et la vis (voir le dessin de la prise câble).
- Insérer l'assemblage qui vient d'être monté sur la plaque de base du boîtier de raccordement avec le joint d'étanchéité.
- Visser à fond les vis du capot du couvre-câble avec un tournevis à fente (0,6 x 3,5 mm).



Pour que l'indice de protection soit maintenu, les joints d'étanchéité doivent être remontés.

Sauvegarde du point zéro dans le transmetteur électronique

Après avoir mis en route la tension d'alimentation, le nouveau point zéro sera sauvegardé dans le transmetteur électronique sous 30 secondes maximum. Afin de vérifier, une augmentation de courant jusqu'à 9,5 mA peut être mesurée pendant ce temps dans la boucle de courant sur une unité d'affichage (par exemple un ampèremètre).

Retrait du pontage de bornes

- Eteindre la tension d'alimentation et l'unité d'affichage.
- Effectuer le "Démontage du boîtier de raccordement" décrit plus haut.
- Retirer le fil torsadé pour ponter les bornes 5 et 6 de l'insert de boîtier.
- Effectuer le "Montage du boîtier de raccordement" décrit plus haut.

Le signal de sortie électrique correspondra de nouveau avec l'affichage de l'aiguille mécanique.

Refermer toutes les soupapes ouvertes pour le réglage du point zéro.

5.4 Mise en service

Il faut absolument éviter des afflux soudains de pression, ouvrir par conséquent lentement les robinets d'isolement.

6. Dysfonctionnements



DANGER !

Danger d'explosion vital

Le travail en atmosphère inflammable peut donner lieu à une explosion avec risque de mort.

- ▶ Rectifier les défauts uniquement en atmosphères non-inflammables !



ATTENTION !

Blessures physiques, dommages aux équipements et à l'environnement

Si les défauts ne peuvent pas être éliminés au moyen des mesures listées, l'instrument doit être mis hors service immédiatement.

- ▶ S'assurer que la pression ou le signal n'est plus présent et protéger contre une mise en service accidentelle.
- ▶ Contacter le fabricant.
- ▶ S'il est nécessaire de retourner l'instrument au fabricant, respecter les indications mentionnées au chapitre 8.2 "Retour".



AVERTISSEMENT !

Blessures physiques et dommages aux équipements et à l'environnement causés par un fluide dangereux

Lors du contact avec un fluide dangereux (par ex. oxygène, acétylène, substances inflammables ou toxiques), un fluide nocif (par ex. corrosif, toxique, cancérigène, radioactif), et également avec des installations de réfrigération et des compresseurs, il y a un danger de blessures physiques et de dommages aux équipements et à l'environnement.

En cas d'erreur, des fluides agressifs peuvent être présents à une température extrême et sous une pression élevée ou sous vide au niveau de l'instrument.

- ▶ Pour ces fluides, les codes et directives appropriés existants doivent être observés en plus des régulations standards.
- ▶ Porter l'équipement de protection requis.



Pour le détail des contacts voir le chapitre 1 "Généralités" ou au dos du mode d'emploi.

6. Dysfonctionnements / 7. Entretien et nettoyage

| Dysfonctionnements | Raisons | Mesures |
|--|---|---|
| Pas de signal de sortie. | Tension d'alimentation insuffisante ou rupture de câble. | Vérifier la tension d'alimentation et les câbles. |
| | Mauvaise configuration du raccordement. | Vérifier la configuration du raccordement. |
| | Transmetteur électronique défectueux à cause d'une surtension. | Remplacer l'instrument. |
| Signal de sortie constant après une variation de pression. | Port de pression bloqué au raccord process. | Nettoyer le port de pression au raccord process |
| | Tension d'alimentation mal branchée. (I = environ 4,5 mA). | Vérifier la configuration du raccordement. |
| | Transmetteur électronique défectueux | Remplacer l'instrument. |
| Signal de sortie trop haut et constant après une variation de pression. | Le pontage sur les bornes 5 et 6 n'a pas été retiré (I = environ 9,5 mA). | Retirer le pontage de bornes. Voir chapitre 5.3. "Réglage du point zéro". |
| | Transmetteur électronique défectueux à cause d'une surtension. | Remplacer l'instrument. |
| Echelle de signaux trop petite. | Tension d'alimentation insuffisante. | Vérifier la tension d'alimentation et les câbles. |
| | Charge trop élevée. | Maintenir la charge admissible. |
| | Point zéro mal ajusté. | Voir chapitre 5.3. "Réglage du point zéro". |
| Signal de point zéro trop bas ou trop élevé. | Point zéro mal ajusté. | Voir chapitre 5.3. "Réglage du point zéro". |

Pour échanger l'instrument, voir les dispositions des chapitres 8 "Démontage, retour et mise au rebut" et 5 "Mise en service, utilisation".

7. Entretien et nettoyage

7.1 Entretien

Les instruments ne requièrent aucun entretien.

Un contrôle de l'affichage et de la fonction de commutation est recommandé 1 à 2 fois/an.

Le test peut être effectué séparément par rapport au process au moyen d'un appareil de test de pression.

Test d'instruments remplis de liquide

Pour des instruments remplis, le niveau de remplissage doit être contrôlé une ou deux fois par an.

Le niveau de remplissage de liquide ne doit pas descendre en-dessous de 75 % du diamètre de l'instrument.



AVERTISSEMENT !

Danger de mort dû au remplissage ou au re-remplissage non autorisés de l'instrument avec perte de la protection contre les explosions

Le remplissage ou le re-remplissage d'instruments par du personnel non autorisé conduit à une perte de la protection contre les explosions et peut provoquer des dommages sur l'instrument.

- ▶ Une réparation des instruments ne peut être effectuée que par des instances autorisées.
- ▶ S'il est nécessaire de retourner l'instrument au fabricant, respecter les indications mentionnées au chapitre 8.2 "Retour".

FR

Les réparations ne doivent être effectuées que par le fabricant.

7.2 Nettoyage



ATTENTION !

Blessures physiques, dommages aux équipements et à l'environnement

Un nettoyage inapproprié peut conduire à des blessures physiques et à des dommages aux équipements ou à l'environnement. Les restes de fluides se trouvant dans les instruments démontés peuvent mettre en danger les personnes, l'environnement ainsi que l'installation.

- ▶ Effectuer la procédure de nettoyage comme décrit ci-dessous.

1. Avant le nettoyage, débrancher correctement l'instrument de l'alimentation, l'éteindre et le déconnecter du secteur.
2. Utiliser l'équipement de protection requis.
3. Nettoyer l'instrument avec un chiffon humide.

Eviter tout contact des raccordements électriques avec l'humidité !



ATTENTION !

Dommages sur l'instrument

Un nettoyage inapproprié peut endommager l'instrument !

- ▶ Ne pas utiliser de détergents agressifs.
- ▶ Ne pas utiliser d'objets pointus ou durs pour le nettoyage.

4. Laver et décontaminer l'instrument démonté afin de protéger les personnes et l'environnement contre le danger lié aux résidus de fluides.

8. Démontage, retour et mise au rebut



AVERTISSEMENT !

Blessures physiques et dommages aux équipements et à l'environnement liés aux résidus de fluides

Les restes de fluides se trouvant dans les instruments démontés peuvent mettre en danger les personnes, l'environnement ainsi que l'installation.

- ▶ Porter l'équipement de protection requis.
- ▶ Observer les informations de la fiche de données de sécurité du fluide correspondant.
- ▶ Laver et décontaminer l'instrument démonté afin de protéger les personnes et l'environnement contre le danger lié aux résidus de fluides.

8.1 Démontage



AVERTISSEMENT !

Danger de brûlure

Durant le démontage, il y a un danger lié à l'échappement de fluides dangereusement chauds.

- ▶ Avant le démontage de l'instrument, le laisser refroidir suffisamment !



DANGER !

Danger vital à cause du courant électrique

Lors du contact avec des parties sous tension, il y a un danger vital direct.

- ▶ Le démontage de l'instrument ne doit être effectué que par du personnel qualifié.
- ▶ Retirer l'instrument une fois que le système a été isolé des sources d'énergie.



AVERTISSEMENT !

Blessure physique

Lors du démontage, le danger peut provenir de fluides agressifs et de pressions élevées.

- ▶ Observer les informations de la fiche de données de sécurité du fluide correspondant.
- ▶ Démontez l'instrument hors pression.

Si nécessaire, la conduite ou la cuve doit avoir un dispositif de détente. Sur les manomètres à membrane, les vis de blocage des brides supérieure et inférieure ne doivent pas être desserrées.

8.2 Retour

En cas d'envoi de l'instrument, il faut respecter impérativement ceci :

Tous les instruments livrés à WIKA doivent être exempts de substances dangereuses (acides, bases, solutions, etc.) et doivent donc être nettoyés avant d'être retournés.



AVERTISSEMENT !

Blessures physiques et dommages aux équipements et à l'environnement liés aux résidus de fluides

Les restes de fluides se trouvant dans les instruments démontés peuvent mettre en danger les personnes, l'environnement ainsi que l'installation.

- ▶ Avec les substances dangereuses, inclure la fiche technique de sécurité de matériau pour le fluide correspondant.
- ▶ Nettoyer l'instrument, voir chapitre 7.2 "Nettoyage".

FR

Pour retourner l'instrument, utiliser l'emballage original ou un emballage adapté pour le transport.



Des informations relatives à la procédure de retour sont disponibles sur notre site Internet à la rubrique "Services".

8.3 Mise au rebut

Une mise au rebut inadéquate peut entraîner des dangers pour l'environnement. Éliminer les composants des instruments et les matériaux d'emballage conformément aux prescriptions nationales pour le traitement et l'élimination des déchets et aux lois de protection de l'environnement en vigueur.



Ne pas mettre au rebut avec les ordures ménagères. Assurer une mise au rebut correcte en conformité avec les réglementations nationales.

9. Spécifications



DANGER !

Danger vital dû à la perte de la protection contre les explosions

Le non-respect des instructions pour utilisation en zones explosives peut conduire à la perte de la protection contre les explosions.

- ▶ Correspondre aux valeurs limites et instructions suivantes.
- ▶ Le boîtier contient des pièces fabriquées dans un matériau non-métallique qui pourraient être affectées de manière négative par les conditions ambiantes. Il faut s'assurer que les pièces non-métalliques ne sont pas endommagées en raison des conditions environnantes.

Pièces non-métalliques du boîtier

PUR, TPU, PA 6, EPDM, NBR (option), FMQ (option)

9.1 Raccordement électrique

Boîtier de raccordement standard

Boîtier de raccordement du câble, placé à droite du boîtier.

Matériau: PA 6, noir

Selon groupe d'isolation VDE 0110 C/250 V

Presse-étoupe M20 x 1,5 (tourné vers le bas) avec décharge de traction
6 bornes à vis + PE pour section transversale du conducteur de 1,5 mm²

Sortie câble

Longueur de câble 2 m ou 5 m, tourné vers le bas et vers la droite

Matériau : PVC

Connecteur miniature

Connecteur miniature M8 x 1, 4 broches

9. Spécifications

9.2 Transmetteurs électroniques pour zones non explosives

| Type 891,44 | |
|--|---|
| Signal de sortie | Variante 1 : 4 ... 20 mA, 2 fils, passif, selon NAMUR NE 43 Variante 3 : 0 ... 20 mA, 3 fils Variante 4 : 0 ... 10 V, 3 fils |
| Tension d'alimentation U_B | Exécution 1+3 : DC 12 ... 30 V Exécution 4 : DC 15 ... 30 V |
| Influence de la tension d'alimentation | $\leq 0,1 \%$ de la pleine échelle/10 V |
| Ondulation résiduelle admissible de U_B | $\leq 10 \%$ ss |
| Charge maximale admissible R_A | Exécutions 1, 2, 3 : $R_A \leq (U_B - 12 V)/0,02$ A avec R_A en ohms et U_B en volts, quoi qu'il en soit max. 600 Ω Variante 4 : $R_A = 100$ k Ω |
| Effet de charge (exécution 1 + 3) | $\leq 0,1 \%$ de la pleine échelle |
| Impédance à la sortie tension | 0,5 Ω |
| Stabilité à long terme de l'électronique | $< 0,3 \%$ de la pleine échelle par an |
| Signal de sortie électrique | $\leq 1 \%$ de l'étendue de mesure |
| Erreur linéaire | $\leq 1 \%$ de l'étendue de mesure (méthode des bornes) |
| Résolution | 0,13 % de la pleine échelle (résolution 10 bits à 360°) |
| Taux de rafraîchissement (fréquence de mesure) | 600 ms |

FR

9.3 Electronique de transmetteur pour zones explosives

| Type 892.44 | |
|--|---|
| Signal de sortie | Exécution 2 : 4 ... 20 mA, 2 fils, pour zones explosives |
| Tension d'alimentation U_B | 14 ... 30 VDC |
| Influence de la tension d'alimentation | $\leq 0,1 \%$ de la pleine échelle/10 V |
| Ondulation résiduelle admissible de U_B | $\leq 10 \%$ ss |
| Charge maximale admissible R_A | $R_A \leq (U_B - 12 V)/0,02$ A avec R_A en Ω et U_B en V, quoi qu'il en soit max. 600 Ω |
| Effet de charge | $\leq 0,1 \%$ de la pleine échelle |
| Impédance à la sortie tension | 0,5 Ω |
| Stabilité à long terme de l'électronique | $< 0,3 \%$ de la pleine échelle par an |
| Signal de sortie électrique | $\leq 1 \%$ de l'étendue de mesure |
| Erreur linéaire | $\leq 1 \%$ de l'étendue de mesure (méthode des bornes) |
| Résolution | 0,13 % de la pleine échelle (résolution 10 bits à 360°) |
| Taux de rafraîchissement (fréquence de mesure) | 600 ms |

Valeurs techniques de sécurité maximales

| U_i | I_i | P_i | C_i | L_i |
|--------|--------|--------|-------|-------------|
| 30 VDC | 100 mA | 720 mW | 11 nF | négligeable |

Pour plus d'informations, voir l'annexe : "Déclaration de conformité UE"

9. Spécifications

9.4 Manomètres avec signal de sortie

Type PGT23.063

Plages d'utilisation

Charge statique 3/4 x valeur pleine échelle

Charge dynamique 2/3 x valeur pleine échelle

Momentanément Valeur pleine échelle

Effet de la température

Lorsque la température du système de mesure dévie de la température de référence (+20 °C) :
max. $\pm 0,8 \%$ /10 K de la valeur pleine échelle

Matériaux en contact avec le fluide

Raccord process, élément de mesure Acier inox 316L

Matériaux non en contact avec le fluide

Boîtier, lunette baïonnette Acier inox

Mouvement Laiton

Cadran Aluminium, blanc, inscriptions en caractères noirs

Aiguille Aluminium, noir

Voyant Polycarbonate ou verre de sécurité feuilleté

Indice de protection selon CEI/EN 60529 IP54; option: IP65

Pour de plus amples spécifications voir la fiche technique PV 12.03

Types PGT23.100, PGT23.160, PGT26.100, PGT26.160

Plages d'utilisation

Charge statique Valeur pleine échelle

Charge dynamique 0,9 x valeur pleine échelle

Momentanément 1,3 x valeur pleine échelle

Effet de la température

Lorsque la température du système de mesure dévie de la température de référence (+20 °C) :
max. $\pm 0,4 \%$ /10 K de la valeur pleine échelle

Matériaux en contact avec le fluide

Raccord process, élément de mesure PGT23.100, PGT23.160: acier inox 316L
PGT26.100, PGT26.160 : Monel

Matériaux non en contact avec le fluide

Boîtier, lunette baïonnette Acier inox

Mouvement Laiton

Cadran Aluminium, blanc, inscriptions en caractères noirs

Aiguille de l'instrument Aluminium, noir

Aiguille Aluminium, rouge

Voyant Verre de sécurité feuilleté

Indice de protection selon CEI/EN 60529 IP65 ¹⁾; option : IP66

1) Indice de protection IP54 avec raccord arrière excentré.

Pour de plus amples spécifications voir la fiche technique PV 12.04

9. Spécifications

Types PGT43.100, PGT43.160

| | |
|---|---|
| Plages d'utilisation | |
| Charge statique | Valeur pleine échelle |
| Charge dynamique | 0,9 x valeur pleine échelle |
| Surpression admissible | 5 x valeur pleine échelle, mais maximum 40 bar |
| Effet de la température | Lorsque la température du système de mesure dévie de la température de référence (+20 °C) : max. $\pm 0,8 \%$ /10 K de la valeur pleine échelle |
| Matériaux en contact avec le fluide | |
| Raccord process avec bride de mesure inférieure | Acier inox 316L |
| Elément de mesure | $\leq 0,25$ bar: acier inox 316L > 0,25 bar : alliage NiCr (Inconel) |
| Etanchéité | FPM/FKM |
| Matériaux non en contact avec le fluide | |
| Boîtier, lunette baïonnette | Acier inox |
| Mouvement | Laiton |
| Cadran | Aluminium, blanc, inscriptions en caractères noirs |
| Aiguille | Aluminium, noir |
| Voyant | Verre de sécurité feuilleté |
| Indice de protection selon CEI/EN 60529 | IP54; option: IP65 |

Pour de plus amples spécifications voir la fiche technique PV 14.03

Type PGT43HP

| | |
|---|---|
| Plages d'utilisation | |
| Charge statique | Valeur pleine échelle |
| Charge dynamique | 0,9 x valeur pleine échelle |
| Surpression admissible | 40, 100 ou 400 bar |
| Effet de la température | Lorsque la température du système de mesure dévie de la température de référence (+20 °C) : max. $\pm 0,8 \%$ /10 K de la valeur pleine échelle |
| Matériaux en contact avec le fluide | |
| Raccord process avec bride de mesure inférieure | Acier inox 316L |
| Elément de mesure | $\leq 0,25$ bar: acier inox 316L > 0,25 bar : alliage NiCr (Inconel) |
| Etanchéité | FPM/FKM |
| Matériaux non en contact avec le fluide | |
| Boîtier, lunette baïonnette | Acier inox |
| Mouvement | Laiton |
| Cadran | Aluminium, blanc, inscriptions en caractères noirs |
| Aiguille | Aluminium, noir |
| Voyant | Verre de sécurité feuilleté |
| Indice de protection selon CEI/EN 60529 | IP54; option: IP65 |

Pour de plus amples spécifications voir la fiche technique PV 14.07

9. Spécifications

Type PGT63HP

| | |
|--|---|
| Plages d'utilisation | |
| Charge statique | Valeur pleine échelle |
| Charge dynamique | 0,9 x valeur pleine échelle |
| Surpression admissible | 50 x valeur pleine échelle |
| Effet de la température | Lorsque la température du système de mesure dévie de la température de référence (+20 °C) : max. $\pm 0,6 \%$ /10 K de la valeur pleine échelle |
| Matériaux en contact avec le fluide | |
| Raccord process, élément de mesure | Acier inox 316Ti (1.4571) |
| Étanchéité | PTFE |
| Matériaux non en contact avec le fluide | |
| Boîtier, lunette baïonnette | Acier inox |
| Mouvement | Laiton |
| Cadran | Aluminium, blanc, inscriptions en caractères noirs |
| Aiguille | Aluminium, noir |
| Voyant | Verre de sécurité feuilleté |
| Indice de protection selon CEI/EN 60529 | IP54 |

Pour de plus amples spécifications voir la fiche technique PV 16.06

Type APT43

| | |
|--|---|
| Plages d'utilisation | |
| Charge statique | Valeur pleine échelle |
| Charge dynamique | 0,9 x valeur pleine échelle |
| Surpression admissible | Minimum 1 bar de pression absolue (pression atmosphérique), en plus 10 x la valeur pleine échelle, maximum 25 bar de pression absolue |
| Effet de la température | Lorsque la température du système de mesure dévie de la température de référence (+20 °C) : max. $\pm 0,8 \%$ /10 K de la valeur pleine échelle |
| Matériaux en contact avec le fluide | |
| Raccord process | Acier inox 316L |
| Élément de mesure | $\leq 0,25$ bar : acier inox 316Ti (1.4571) $> 0,25$ bar : alliage NiCr (Inconel) |
| Matériaux non en contact avec le fluide | |
| Boîtier, lunette baïonnette | Acier inox |
| Mouvement | Laiton |
| Cadran | Aluminium, blanc, inscriptions en caractères noirs |
| Aiguille | Aluminium, noir |
| Voyant | Verre de sécurité feuilleté |
| Indice de protection selon CEI/EN 60529 | IP54; option: IP65 |

Pour de plus amples spécifications voir la fiche technique PV 15.02

9. Spécifications

Types DPGT43.100, DPGT43.160

| | |
|--|--|
| Plages d'utilisation | |
| Charge statique | Valeur pleine échelle |
| Charge dynamique | 0,9 x valeur pleine échelle |
| Surpression admissible et pression de service maximale | voir le tableau suivant |
| Effet de la température | Lorsque la température du système de mesure dévie de la température de référence (+20 °C) : max. $\pm 0,5\%$ /10 K de la valeur pleine échelle |
| Matériaux en contact avec le fluide | |
| Chambre de mesure avec raccord process, mise à l'atmosphère des chambres de mesure, soufflet | Acier inox 316Ti (1.4571) |
| Élément de mesure | $\leq 0,25$ bar : acier inox 316L $> 0,25$ bar : alliage NiCr (Inconel) |
| Matériaux non en contact avec le fluide | |
| Boîtier, lunette baïonnette | Acier inox |
| Mouvement | Laiton |
| Cadran | Aluminium, blanc, inscriptions en caractères noirs |
| Aiguille | Aluminium, noir |
| Voyant | Verre de sécurité feuilleté |
| Indice de protection selon CEI/EN 60529 | IP54; option: IP65 |

FR

Surpression admissible et pression de service maximale

| Étendues de mesure | Surpression admissible maximum en bar de chaque côté | | Pression de service max. en bar (pression statique) | |
|---------------------------|--|--------|---|--------|
| | Standard | Option | Standard | Option |
| 0 ... 16 à 0 ... 40 mbar | 2,5 | - | 2,5 | 6 |
| 0 ... 60 à 0 ... 250 mbar | 2,5 | 6 | 6 | 10 |
| 0 ... 400 mbar | 4 | 40 | 25 | 40 |
| 0 ... 0,6 bar | 6 | 40 | 25 | 40 |
| 0 ... 1 bar | 10 | 40 | 25 | 40 |
| 0 ... 1,6 bar | 16 | 40 | 25 | 40 |
| 0 ... 2,5 à 0 ... 25 bar | 25 | 40 | 25 | 40 |

Pour de plus amples spécifications voir la fiche technique PV 17.05

9. Spécifications

Types DPGT43HP.100, DPGT43HP.160

Plages d'utilisation

| | |
|------------------|-----------------------------|
| Charge statique | Valeur pleine échelle |
| Charge dynamique | 0,9 x valeur pleine échelle |

Suppression admissible et pression de service maximale

De chaque côté maximum 40, 100, 250 ou 400 bar

Effet de la température

Lorsque la température du système de mesure dévie de la température de référence (+20 °C) :
max. $\pm 0,5 \%$ /10 K de la valeur pleine échelle

Matériaux en contact avec le fluide

| | |
|--|---|
| Chambre de mesure avec raccord process, mise à l'atmosphère des chambres de mesure, soufflet | Acier inox 316Ti (1.4571) |
| Élément de mesure | $\leq 0,25$ bar: acier inox 316L $> 0,25$ bar: acier inox 316L/Inconel |

Matériaux non en contact avec le fluide

| | |
|--|--|
| Fluide de remplissage du système de mesure | Huile silicone |
| Boîtier, mouvement, lunette baïonnette | Acier inox |
| Cadran | Aluminium, blanc, inscriptions en caractères noirs |
| Aiguille | Aluminium, noir |
| Voyant | Verre de sécurité feuilleté |

Indice de protection selon CEI/EN 60529

IP54; option: IP65

Pour de plus amples spécifications voir la fiche technique PV 17.13

Contenido

| | |
|--|------------|
| 1. Información general | 94 |
| 2. Diseño y función | 95 |
| 2.1 Resumen | .95 |
| 2.2 Descripción | .95 |
| 2.3 Alcance del suministro. | .95 |
| 3. Seguridad | 96 |
| 3.1 Explicación de símbolos | .96 |
| 3.2 Uso conforme a lo previsto | .96 |
| 3.3 Uso incorrecto | .97 |
| 3.4 Responsabilidad del usuario. | .97 |
| 3.5 Cualificación del personal | .98 |
| 3.6 Personal especializado | .98 |
| 3.7 Rótulos, marcajes de seguridad | .98 |
| 3.8 Marcaje Ex (opción) | 100 |
| 3.9 Especificación y límites de temperatura | 100 |
| 3.10 Condiciones especiales para un uso seguro (X-Conditions) | 102 |
| 4. Transporte, embalaje y almacenamiento | 103 |
| 4.1 Transporte | 103 |
| 4.2 Embalaje y almacenamiento. | 103 |
| 5. Puesta en servicio, funcionamiento | 104 |
| 5.1 La conexión mecánica | 104 |
| 5.2 Conexión eléctrica | 107 |
| 5.3 Ajuste del punto cero (no para PGT23.063). | 109 |
| 5.4 Puesta en servicio | 110 |
| 6. Errores | 111 |
| 7. Mantenimiento y limpieza | 112 |
| 7.1 Mantenimiento | 112 |
| 7.2 Limpieza | 113 |
| 8. Desmontaje, devolución y eliminación de residuos | 114 |
| 8.1 Desmontaje | 114 |
| 8.2 Devolución. | 114 |
| 8.3 Eliminación de residuos | 115 |
| 9. Datos técnicos | 116 |
| 9.1 Conexión eléctrica | 116 |
| 9.2 Componentes electrónicos para zonas no explosivas | 116 |
| 9.3 Electrónica de transmisores para zonas potencialmente explosivas | 117 |
| 9.4 Manómetros con señal de salida | 118 |
| Anexo: Declaración de conformidad UE | 123 |

Declaraciones de conformidad puede encontrar en www.wika.es.

1. Información general

- El manómetro de contacto descrito en el manual de instrucciones está construido y fabricado según los últimos conocimientos. Todos los componentes están sometidos durante su fabricación a estrictos criterios de calidad y medioambientales. Nuestros sistemas de gestión están certificados según ISO 9001 e ISO 14001.
- Este manual de instrucciones proporciona indicaciones importantes acerca del manejo del instrumento. Para un trabajo seguro, es imprescindible cumplir con todas las instrucciones de seguridad y manejo indicadas.
- Cumplir siempre las normativas sobre la prevención de accidentes y las normas de seguridad en vigor en el lugar de utilización del instrumento.
- El manual de instrucciones es una parte integrante del instrumento y debe guardarse en la proximidad del mismo para que el personal especializado pueda consultarlo en cualquier momento.
- El personal especializado debe haber leído y entendido el manual de instrucciones antes de comenzar cualquier trabajo.
- El fabricante queda exento de cualquier responsabilidad en caso de daños causados por un uso no conforme a la finalidad prevista, la inobservancia del presente manual de instrucciones, un manejo por personal insuficientemente cualificado así como una modificación no autorizada del instrumento.
- Se aplican las condiciones generales de venta incluidas en la documentación de venta.
- Modificaciones técnicas reservadas.
- Para obtener más información consultar:
 - Página web: www.wika.es

| Modelo | Componentes electrónicos para zonas no explosivas | | Electrónica de transmisores para zonas potencialmente explosivas | | Hoja técnica |
|-----------------------------|---|------------------------|--|------------------------|--------------|
| | Modelo | Variante ¹⁾ | Modelo | Variante ¹⁾ | |
| PGT23.063 | 891.44 | 1, 3, 4 | - | - | PV 12.03 |
| PGT23.1x0, PGT26.1x0 | 891.44 | 1, 3, 4 | 892.44 | 2 | PV 12.04 |
| PGT43 | 891.44 | 1, 3, 4 | 892.44 | 2 | PV 14.03 |
| PGT43HP | 891.44 | 1, 3, 4 | 892.44 | 2 | PV 14.07 |
| PGT63HP | 891.44 | 1, 3, 4 | 892.44 | 2 | PV 16.06 |
| APGT43 | 891.44 | 1, 3, 4 | 892.44 | 2 | PV 15.02 |
| DPGT43 | 891.44 | 1, 3, 4 | 892.44 | 2 | PV 17.05 |
| DPGT43HP | 891.44 | 1, 3, 4 | 892.44 | 2 | PV 17.13 |

1) Variante de la señal de salida

- 1: 4 ... 20 mA, 2 hilos, pasivos, conforme a NAMUR NE43
- 2: 4 ... 20 mA, 2 hilos, para zonas potencialmente explosivas
- 3: 0 ... 20 mA, 3 hilos
- 4: 0 ... 10 V, 3 hilos

Para los instrumentos que están equipados adicionalmente con contacto(s) eléctricos, se aplican también las siguientes instrucciones de operación:

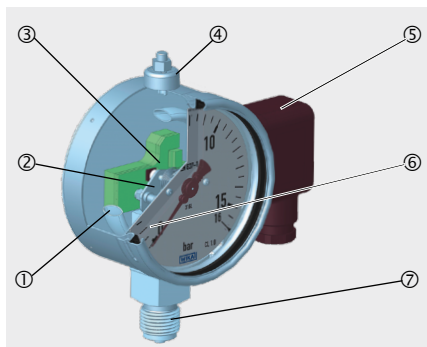
- "Manómetros con contacto inductivo modelo 831, para zonas potencialmente explosivas", artículo número 14320154
- "Manómetros con contacto eléctrico modelos 821, 851 u 830 E", artículo número 14057651

2. Diseño y función

2.1 Resumen

Ejemplo, modelo PGT23.100, versión “S3” según EN 837

- ① Elemento sensible
- ② Mecanismo
- ③ Componentes electrónicos de transmisores
- ④ Válvula compensadora de presión interna
- ⑤ Conexión eléctrica con caja de cables
- ⑥ Vidrio laminado de seguridad
- ⑦ Conexión a proceso



ES

2.2 Descripción

Los instrumentos descritos, debido a su robustez y facilidad de uso, se utilizan en gran medida tubo de Bourdon, diafragma, cápsula y elementos de medición de acero corrugado. Al someterlos a presión, estos elementos se deforman dentro de sus límites elásticos. Un movimiento mecánico transfiere esta deformación a un movimiento de rotación. Un imán ubicado en el eje de la aguja gira proporcionalmente con la aguja del instrumento, en función lineal y directa de la presión del proceso. El sensor contenido en el sistema electrónico del transmisor registra el movimiento giratorio del imán en el rango de 0 ... 270°. El cambio de ángulo se registra sin ningún contacto y, por lo tanto, sin desgaste, y se convierte en una señal de salida analógica a través de un amplificador. El span de la señal de salida eléctrica corresponde al span de medición en la esfera.

Versión de seguridad “S3” según EN 837

Esta versión dispone de un cristal de seguridad laminado, una pared divisora antirotura entre el sistema de medición y la esfera así como de una pared trasera deflectora. En caso de fallo, el operador está protegido en la parte delantera, ya que los medios o componentes sólo pueden ser expulsados por la parte posterior de la caja.

Versión Ex

Todos los instrumentos, excepto el modelo PGT23.063, están disponibles opcionalmente también en un diseño para zonas potencialmente explosivas.

2.3 Alcance del suministro

Comparar mediante el albarán si se han entregado todas las piezas.

3. Seguridad

3.1 Explicación de símbolos



¡ADVERTENCIA!

... señala una situación probablemente peligrosa que puede causar la muerte o lesiones graves si no se evita.



¡CUIDADO!

... señala una situación probablemente peligrosa que puede causar lesiones leves o medianas o daños materiales y del medio ambiente si no se evita.



¡PELIGRO!

... identifica los peligros causados por la corriente eléctrica. La no observancia de las instrucciones de seguridad puede resultar en lesiones graves o la muerte.



¡ADVERTENCIA!

... indica una situación probablemente peligrosa en una zona potencialmente explosiva que causa la muerte o lesiones graves si no se evita.... indica una situación probablemente peligrosa en una zona potencialmente explosiva que causa la muerte o lesiones graves si no se evita.



¡ADVERTENCIA!

... señala una situación de peligro que puede provocar quemaduras causadas por superficies o líquidos calientes si no se evita.



Información

... destaca consejos y recomendaciones útiles así como informaciones para una utilización eficiente y libre de errores.

3.2 Uso conforme a lo previsto

Los manómetros con señal de salida combinan un sistema de medición mecánico con procesamiento electrónico de señales y sirven para controlar y regular valores de procesos, así como para monitorización de instalaciones y conexión de circuitos en aplicaciones industriales. El instrumento ofrece numerosas aplicaciones en medios gaseosos y líquidos agresivos, de baja viscosidad y no cristalizantes.

Utilizar el instrumento únicamente en aplicaciones que están dentro de los límites de rendimiento técnicos (por ej. límites de temperatura, compatibilidad de materiales, ...).

→ Para límites de rendimiento véase el capítulo 9 “Datos técnicos”.

El instrumento ha sido diseñado y construido únicamente para la finalidad aquí descrita y debe utilizarse en conformidad a la misma.

No se admite ninguna reclamación debido a un manejo no adecuado.

3.3 Uso incorrecto



¡ADVERTENCIA!

Lesiones por uso incorrecto

El uso incorrecto del dispositivo puede causar lesiones graves o la muerte.

- ▶ Abstenerse de realizar modificaciones no autorizadas del dispositivo.
- ▶ No utilizar el instrumento para medios abrasivos ni viscosos.

Con la excepción de los manómetros de membrana (modelos PGT43 y PGT43HP) con membrana especialmente recubierta (abrasiva) o las versiones con brida de conexión abierta (viscosa).

Cualquier uso que no sea el previsto para este dispositivo es considerado como uso incorrecto.

3.4 Responsabilidad del usuario

El dispositivo se utiliza en el sector industrial. Por lo tanto, el usuario está sujeto a las responsabilidades legales para la seguridad en el trabajo.

Se debe cumplir las notas de seguridad en este manual de instrucciones, así como la validez de las normas de seguridad de la unidad, de prevención de accidentes y protección del medio ambiente.

El usuario está obligado a mantener la placa de identificación bien legible.

Para realizar un trabajo seguro en el instrumento el usuario ha de asegurarse de que,

- esté disponible un kit de primeros auxilios que siempre esté presente y ayude en caso necesario.
- los operadores reciban periódicamente instrucciones, sobre todos los temas referidos a seguridad de trabajo, primeros auxilios y protección del medio ambiente, y conozcan además el manual de instrucciones y en particular las instrucciones de seguridad del mismo.
- el instrumento sea adecuado de acuerdo con el uso previsto para la aplicación.
- que el equipo de protección personal esté disponible.



Pequeñas cantidades del medio de ajuste (p. ej. aire comprimido, agua, aceite) pueden adherirse a las partes del equipo en contacto con el medio. En caso de que aumenten los requisitos técnicos de limpieza, el operador debe comprobar la idoneidad para la aplicación antes de la puesta en servicio.



Medios líquidos con propiedades de cambiar de volumen durante la solidificación pueden dañar el sistema de medición (por ejemplo, el agua si cae por debajo del punto de congelación).

3. Seguridad

3.5 Cualificación del personal



¡ADVERTENCIA!

¡Riesgo de lesiones debido a una insuficiente cualificación!

Un manejo no adecuado puede causar considerables daños personales y materiales.

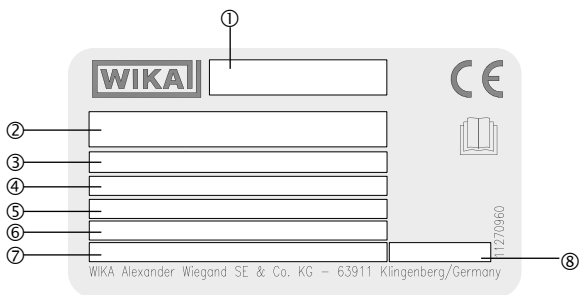
Las actividades descritas en este manual de instrucciones deben realizarse únicamente por personal especializado con la consiguiente cualificación.

3.6 Personal especializado

Debido a su formación profesional, a sus conocimientos de la técnica de regulación y medición así como a su experiencia y su conocimiento de las normativas, normas y directivas vigentes en el país de utilización el personal especializado es capaz de ejecutar los trabajos descritos y reconocer posibles peligros por sí solo.

3.7 Rótulos, marcajes de seguridad

Placa de identificación de la versión no Ex (ejemplo PGT23.063)



① Tipo de instrumento

② Modelo + electrónica de transmisores

③ Rango de indicación

④ Señal de salida

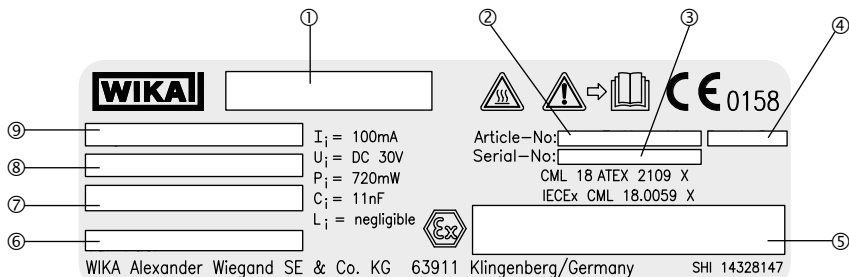
⑤ Alimentación auxiliar

⑥ Relleno de la caja

⑦ Código

⑧ Fecha de fabricación (mes/año)

Placa de identificación de la versión Ex (ejemplo)



- | | |
|--|-------------------------|
| ① Modelo + electrónica de transmisores | ⑥ Relleno de la caja |
| ② Código | ⑦ Alimentación auxiliar |
| ③ Número de serie | ⑧ Señal de salida |
| ④ Fecha de fabricación (mes/año) | ⑨ Rango de indicación |
| ⑤ Marcaje Ex | |



¡Es absolutamente necesario leer el manual de instrucciones antes del montaje y la puesta en servicio del instrumento!



¡Riesgo de quemaduras!

Situación probablemente peligrosa debido a superficies calientes.



El instrumento con este marcaje es un manómetro de seguridad con una pared divisora resistente a la fractura conforme a EN 837, diseño de seguridad "S3".



No eliminar en las basuras domésticas. Garantizar una eliminación correcta según las prescripciones nacionales.

Etiqueta adicional para versión Ex

Para instrumentos con recubrimiento PTFE y marcaje Ex: II 2G Ex ia IIC T6/T5/T4 Gb

WARNING – POTENTIAL
ELECTROSTATIC CHARGING
HAZARD IN THE PTFE LINED
PROCESS CONNECTION AREA

14306388

Para instrumentos con recubrimiento PTFE, si es necesario, deben tomarse medidas en la zona del recubrimiento para excluir la carga electrostática.

3.8 Marcaje Ex (opción)



¡PELIGRO!

Peligro de muerte debido a la pérdida de la protección contra explosiones

La inobservancia del contenido y de las instrucciones puede originar la pérdida de la protección contra explosiones.

- ▶ Observe las instrucciones de seguridad en este capítulo y otras indicaciones sobre explosiones en este manual de instrucciones.
- ▶ Cumplir las indicaciones del certificado de tipo así como las normativas vigentes en el país de utilización acerca de la instalación y el uso en zonas potencialmente explosivas (p. ej. IEC 60079-14, NEC, CEC).

Compruebe idoneidad de la clasificación para la aplicación. Tenga en consideración las respectivas leyes y reglamentos nacionales.

Instrumentos sin revestimiento PTFE

| Zona Ex | ATEX | IECEx |
|----------------|-------|-----------------------------------|
| Zona 1, gas | II 2G | Ex ia IIC T6/T5/T4 Gb |
| Zona 21, polvo | II 2D | Ex ia IIIB T85°C/T100°C/T135°C Db |

Instrumentos con revestimiento PTFE

Opciones en los modelos: PGT43, PGT43HP

| Zona Ex | ATEX | IECEx |
|-------------|-------|---|
| Zona 1, gas | II 2G | Ex ia IIC T6/T5/T4 Gb (con etiqueta adicional, véase el capítulo 3.7) |
| | | Ex ia IIA T6/T5/T4 Gb (opcional) |

3.9 Especificación y límites de temperatura

Tipo de protección según IEC/EN 60529

Para más información sobre el tipo de protección del instrumento respectivo, véase el capítulo 9 "Datos Técnicos". Para la evaluación IECEx se ha considerado el tipo de protección IP20.

Rango de temperatura admisible

Para determinar la temperatura máxima en el instrumento se deben tener en cuenta además de la temperatura del medio otros parámetros influyentes como, p. ej., la temperatura ambiente y esa aplica, la irradiación solar.

3. Seguridad

Área clasificada por posible explosión de gas

| Clase de temperatura requerida (temperatura de ignición) | Rango de temperatura admisible en el instrumento |
|--|--|
| T6 | -20 ... +45 °C |
| T5 | -20 ... +60 °C |
| T4 ... T1 | -20 ... +60 °C (+70 °C opcional) |

ES

Área clasificada por posible explosión de polvo

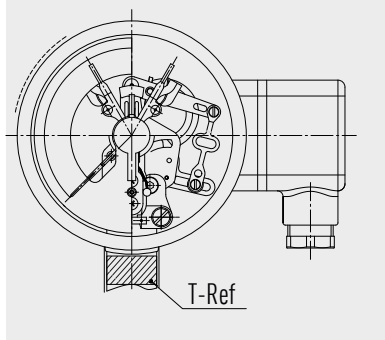
| Máxima temperatura superficial | Rango de temperatura admisible en el instrumento |
|--------------------------------|--|
| T85 °C | -20 ... +45 °C |
| T100 °C | -20 ... +60 °C |
| T135 °C | -20 ... +60 °C (+70 °C opcional) |

La instalación debe realizarse de tal forma que no se supere el rango de temperatura admisible del instrumento pero tampoco se sitúe por debajo de ella, aún teniendo en cuenta la influencia de convección y radiación térmica.

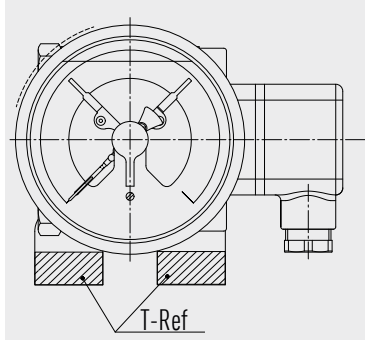
Tampoco se deben exceder los rangos de temperatura admisibles en el instrumento. Si es necesario, se deben tomar medidas de refrigeración (por ejemplo, sifón, válvula de instrumentación, etc.).

La empresa operadora garantizará el cumplimiento de la gama de temperaturas admisibles durante el funcionamiento. La zona que se muestra en la siguiente imagen bajo "T-Ref" puede ser utilizada para este propósito.

Manómetros



Manómetro diferencial



3.10 Condiciones especiales para un uso seguro (X-Conditions)

- i. La clase de temperatura y la temperatura ambiente máxima permitida, dependen de las opciones instaladas en el equipo y pueden no estar marcadas en la placa de identificación del equipo. El usuario deberá consultar en este certificado y en las instrucciones del equipo, los detalles de la clase de temperatura aplicable y el rango de temperatura ambiente.
- ii. El usuario debe considerar que el calor pueda transferirse por el trayecto del instrumento de medición y asegurarse que el instrumento no supere la temperatura ambiente máxima permitida. Para más información, véase el manual de instrucciones.
- iii. Los modelos que incorporan un revestimiento de PTFE pueden ser marcados solamente para uso en zonas del Grupo IIB. El usuario se asegurará de que los modelos marcados como tales no se utilicen en zonas potencialmente explosivas del Grupo IIC gas ni del Grupo III polvo.
- iv. Los modelos que incorporan un revestimiento de PTFE podrán ser marcados para su uso en zonas potencialmente explosivas del Grupo IIC gas y del Grupo IIIB polvo si estos modelos también incorporan una etiqueta de advertencia que informa al usuario sobre un posible peligro electrostático dentro del área de conexión a proceso. El usuario deberá tomar todas las precauciones necesarias para mitigar el riesgo de descarga electrostática en la conexión del proceso.
- v. El instrumento puede disponer de un cable integrado. El usuario se asegurará de que, una vez instalado, el cable quede fijado en su lugar y protegido de daños mecánicos.
- vi. En las aplicaciones del Grupo III, el revestimiento no metálico de la caja del instrumento puede generar una carga electrostática inflamable en determinadas condiciones extremas. Por esta razón, el instrumento no debe instalarse en un lugar donde las condiciones externas puedan favorecer la acumulación de carga electrostática en dichas superficies. El usuario/instalador tomará precauciones para evitar la acumulación de carga electrostática, por ejemplo, situando el equipo en un lugar donde sea improbable que haya un mecanismo de generación de carga (como el polvo arrastrado por el viento) y limpiándolo con un paño húmedo.

4. Transporte, embalaje y almacenamiento

4.1 Transporte

Comprobar si el instrumento presenta eventuales daños causados en el transporte. Notificar daños obvios de forma inmediata.



¡CUIDADO!

Daños debidos a un transporte inadecuado

Transportes inadecuados pueden causar daños materiales considerables.

- ▶ Tener cuidado al descargar los paquetes durante la entrega o el transporte dentro de la compañía y respetar los símbolos en el embalaje.
- ▶ Observar las instrucciones en el capítulo 4.2 "Embalaje y almacenamiento" en el transporte dentro de la compañía.



Los impactos pueden ocasionar que se formen pequeñas burbujas en el fluido de llenado de los instrumentos con relleno. Esto no perjudica el funcionamiento del instrumento.

4.2 Embalaje y almacenamiento

No quitar el embalaje hasta justo antes del montaje.

Guardar el embalaje ya que es la protección ideal durante el transporte (por. ej. si el lugar de instalación cambia o si se envía el instrumento para posibles reparaciones).

Condiciones admisibles en el lugar de almacenamiento:

Temperatura de almacenamiento: -20 ... +70 °C

Evitar lo siguiente:

- Luz solar directa o proximidad a objetos calientes
- Vibración mecánica, impacto mecánico (colocación brusca)
- Hollín, vapor, polvo y gases corrosivos
- Entorno potencialmente explosivo, atmósferas inflamables

Almacenar el instrumento en su embalaje original en un lugar que cumple las condiciones arriba mencionadas.

5. Puesta en servicio, funcionamiento

Personal: personal especializado

Antes de proceder con el montaje, la puesta en servicio y el funcionamiento asegurarse de que se haya seleccionado el instrumento adecuado en relación con rango de indicación, versión y condiciones de medición específicas.



¡ADVERTENCIA!

Lesiones corporales, daños materiales y del medio ambiente causados por medios peligrosos

En caso de contacto con medios peligrosos (p. ej. inflamables o tóxicos) medios nocivos para la salud (p. ej. corrosivos, tóxicos, cancerígenos radioactivos) y con sistemas de refrigeración o compresores existe el peligro de lesiones corporales, daños materiales y del medio ambiente.

En caso de fallo es posible que haya medios agresivos con temperaturas extremas o de bajo presión en el instrumento.

- ▶ En el tratamiento de estos medios se debe observar las reglas específicas además de las reglas generales.
- ▶ Utilizar el equipo de protección necesario.



¡ADVERTENCIA!

Lesiones corporales, daños materiales y del medio ambiente causados por escape de medios a alta presión

Cuando el instrumento está presurizado, el medio puede escapar bajo alta presión debido a un sellado deficiente de la conexión de proceso.

Debido a la alta energía del medio que se escapa en caso de avería, existe riesgo de lesiones corporales y daños materiales.

- ▶ El sellado de la conexión a proceso debe realizarse de forma profesional y se debe comprobar si presenta fugas.

5.1 La conexión mecánica

Conforme a las reglas técnicas generales para manómetros (por ejemplo EN 837-2 "Recomendaciones relativas a la selección y montaje de manómetros").

Los instrumentos deben estar conectados a tierra a través de la conexión de proceso. Por eso, se deben utilizar juntas eléctricamente conductoras en la conexión al proceso. Alternativamente pueden tomar otras medidas para la conexión a tierra. Por tal motivo, las medidas de toma de tierra procedentes de fábrica (por ejemplo, puntos de soldadura o placas de fusibles) deben utilizarse para integrar los instrumentos en el sistema de conexión equipotencial y no deben eliminarse bajo ninguna circunstancia. Asegúrese de que las medidas para la toma de tierra sean restablecidas después del desmontaje (p. ej., al cambiar el instrumento).

5. Puesta en servicio, funcionamiento

Para atornillar el instrumento, se debe utilizar la fuerza necesaria mediante el uso de herramientas adecuadas sobre las superficies planas de ajuste previstas para este fin. Nunca sobre la caja.



Para roscas cilíndricas deben emplearse juntas planas, arandelas de sellado o juntas perfiladas WIKA en la superficie de sellado ①. Para roscas cónicas (p. ej., roscas NPT) el sellado se realiza en la rosca ②, con material de sellado apropiado (EN 837-2).



El par de apriete depende del tipo de sellado utilizado. Para orientar el instrumento de medición en la posición que proporcionará la mejor lectura, se recomienda una conexión con manguito de sujeción LH-LR o una tuerca loca. Si un instrumento está dotado de un dispositivo de expulsión, es necesario protegerlo de bloqueos por piezas de aparatos o suciedad.

Instalación

- Posición nominal según EN 837-3 / 9.6.6 ilustr 7: 90° (⊥)
- Conexión de proceso inferior
- ¡En versiones con relleno hay que abrir la válvula de ventilación en el lado superior de la caja!
- En caso de aplicación al aire libre, se debe seleccionar un lugar de instalación adecuado para el tipo de protección indicado para que el instrumento no sea sometido a influencias atmosféricas inadmisibles.
- ¡No exponer los instrumentos a la radiación solar directa durante el funcionamiento para evitar un calentamiento adicional!
- Para asegurar un alivio de presión en caso de fallo, debido a la pared trasera eyectable, se debe mantener a una distancia mínima de 20 mm de cualquier objeto.

Requerimientos en el lugar de instalación

Si el tubo que conecta al instrumento de medición no fuera suficientemente estable para asegurar una conexión exenta de vibraciones, se debería instalar un soporte de montaje. En el caso de no poder evitar las vibraciones mediante las instalaciones apropiadas, deben instalarse instrumentos con caja rellena de líquido. Los instrumentos deben protegerse contra contaminación y fuertes oscilaciones de la temperatura ambiente.

5. Puesta en servicio, funcionamiento

Carga de vibración admisible en el lugar de instalación

Instalar los instrumentos sólo en lugares sin vibraciones. Si es necesario, es posible alejar el instrumento del punto de montaje, por ejemplo, mediante un tubo flexible entre el punto de medida y el instrumento con un soporte de montaje apropiado.

Si esto no es posible, no se debe sobrepasar en ningún caso los siguientes valores límites:

Rango de frecuencias < 150 Hz

Aceleración < 0,5 g (5 m/s²)

Conexión de prueba

En determinadas aplicaciones (por ejemplo calderas de vapor), las válvulas de cierre deben poseer una conexión de prueba, a fin de poder comprobar el instrumento sin desmontarlo.

Carga de temperatura

La colocación del instrumento debe realizarse de tal forma que no se supere la temperatura de servicio admisible pero tampoco se sitúe por debajo de ella, aún teniendo en cuenta la influencia de convección y radiación térmica. Para ello, el instrumento y las válvulas de cierre deben protegerse mediante líneas de medición suficientemente largas o sifones. Hay que vigilar los efectos de la temperatura sobre la precisión del indicador o de la medición.



¡ADVERTENCIA!

La temperatura superficial máxima efectiva no depende del propio equipo sino principalmente de las condiciones de operación. En medios gaseosos, la temperatura puede aumentar como resultado del calentamiento por compresión. En estos casos puede ser necesario reducir la velocidad de cambio de presión o reducir la temperatura permisible del medio.

Puesta en servicio válvula compensadora de presión

Los instrumentos dotados de una válvula compensadora deben ventilarse después del montaje para la compensación de la presión interna.

Herramienta: llave fija de SW9

1. Retirar tapón de plástico
2. Aflojar la conexión roscada sobre el cuerpo de la válvula
3. Roscar el cuerpo de la válvula girando 180° y atornillarlo con $\leq 4,5$ Nm

Antes de la puesta en servicio



Después de la puesta en servicio



Para obtener más información sobre el grado de protección, consulte la hoja técnica IN 00.18

Protección de los elementos de medición contra sobrecargas

Si el medio está sometido a variaciones de presión rápidas o si se esperan picos de presión, éstos no deben actuar directamente sobre el elemento sensible. Los efectos de los picos de presión deben amortiguarse, por ejemplo, mediante una sección de estrangulación (disminución de la sección en el canal de presión) o añadiendo un amortiguador de presión ajustable.

5. Puesta en servicio, funcionamiento

Manguito de toma de presión

El manguito de toma de presión debe disponerse con una perforación suficientemente grande (≥ 6 mm), en lo posible encima de un obturador, de tal forma que la toma de presión no resulte falseada por la circulación del medio. La línea de medición entre manguito de toma de presión y instrumento debe tener un diámetro interior suficientemente grande como para impedir obturaciones y retardos durante la transmisión de presión.

Capilar

Utilizar conductos de medición tan cortas como posible y colocarlas de forma recta para evitar retrasos perturbadores. Durante la colocación se recomienda una inclinación constante de aprox. 1:15.

El capilar o línea de medición debe estar diseñado y montado de tal modo que pueda absorber las cargas emergentes debidas a dilatación, vibración y calor. En caso de utilizarse gas como medio, debe preverse un orificio de drenaje en el punto más bajo, y en el caso de medios líquidos un purgado en el punto más alto.

Los instrumentos de medición se deben montar en la posición de montaje normal según EN 837-1, con una inclinación máxima permitida de 5° en cualquier dirección.

Sistemas de medición

Sistemas de medición probados para diversos tipos de sustancias a medir.

| Contenido del tubo de medición | Medios líquidos | | | Medios gaseosos | | |
|--|-----------------|------------------------|------------------|-----------------|------------------------------------|---------------------------|
| | Líquido | Líquido con vapor | Vapor únicamente | Gas únicamente | Gas húmedo | Condensado de gas líquido |
| Ejemplos | Condensado | Líquidos en ebullición | "Gas líquido" | Aire seco | Aire húmedo Gases de combustión | Vapor de agua |
| Manómetro por encima del punto de medida | | | | | | |
| Manómetro por debajo del punto de medida | | | | | | |

5.2 Conexión eléctrica

La conexión eléctrica sólo la puede realizar personal especializado y cualificado. Integrar el instrumento en la conexión equipotencial de la planta de la instalación.

→ Información de rendimiento, véase el capítulo 9 "Datos técnicos"

5. Puesta en servicio, funcionamiento

Alimentación auxiliar, versión no Ex

Alimentación de corriente adecuada

Modelo KFA6-STR-1.24.500, CA 115/230 V, para carril DIN, código: 7305636

Alimentación auxiliar, versión Ex

El aparato sólo se debe utilizar en combinación con un separador de alimentación Ex adecuado.

Separador de alimentación Ex adecuado

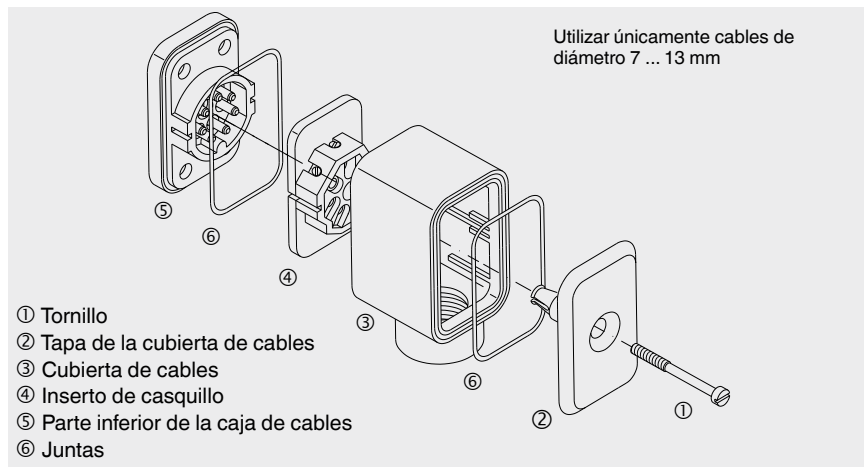
Modelo KFD2-STC4-Ex1, CC 20 ... 35 V, para carril DIN, código: 2341268

Indicaciones de seguridad para la instalación

- Instalar los instrumentos conforme a las indicaciones del fabricante y de las normas y reglamentos vigentes.
- Al conectar los cables de conexión del instrumento, hacerlo solamente a circuitos eléctricos con la misma tensión o el mismo tipo de protección.
- Dimensionar los cables de conexión para el máximo amperaje de los circuitos eléctricos y asegurarse también de que la resistencia UV y la estabilidad mecánica sean suficientes.
- En caso de cables de conexión flexibles utilizar virolas aisladas. Sección de cable máxima permitida 1,5 mm².
- Los cables de conexión deben ser adecuados para el rango de temperatura ambiente de la aplicación.
- Los cables de conexión también deben ser adecuados para el prensaestopa suministrado (véase más abajo el rango de diámetros).
- Sellar las entradas de cable con racores debidamente aprobados.
- Tender el cable de conexión de forma fija.

Desmontaje de la caja de conexiones

La caja de conexiones está premontada y debe desmontarse como se describe a continuación.



5. Puesta en servicio, funcionamiento

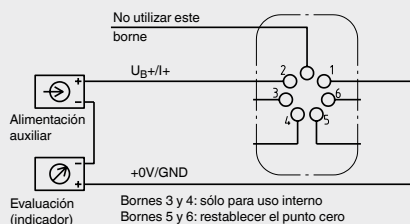
- Con un destornillador de ranura (0,6 x 3,5 mm), aflojar completamente y retirar el tornillo de la cubierta de la caja de conexiones.
- Retirar la caja de conexiones junto al inserto de casquillo de la parte inferior de la caja (unida de forma fija al instrumento).
- Retirar la tapa de la caja de conexiones y presionar hacia abajo el inserto de casquillo, completamente a través de la caja.

ES

Detalles del conexionado de la caja de conexiones

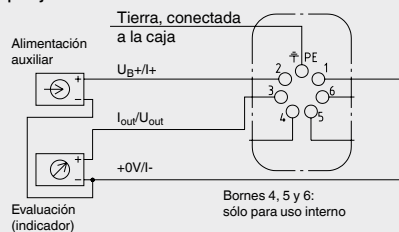
Sistema de dos hilos

p. ej. 4 ... 20 mA



Sistema de tres hilos:

p. ej. 0 ... 20 mA / 0 ... 10 V



Detalles del conexionado modelo PGT23.063

| Asignación | Conector | Cable |
|------------|----------|-----------|
| Rojo | Pin 1 | $U_B+/I+$ |
| Negro | Pin 4 | 0 V/I- |
| Marrón | Pin 2 | n.c. |
| - - - | Pin 3 | n.c. |

5.3 Ajuste del punto cero (no para PGT23.063)

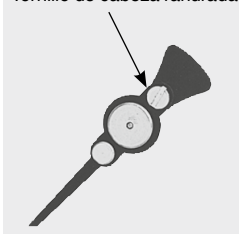
En la mayoría de casos, el control y ajuste del punto cero deberán efectuarse con el instrumento despresurizado. Para instrumentos cuyo escala no se basa en la presión atmosférica, se les debe aplicar el valor de presión de su escala. Con los manómetros de presión diferencial, el ajuste del punto cero debe hacerse abriendo la válvula de compensación de presión bajo carga estática.

Punto cero mecánico

Si hay una desviación del punto cero (en condiciones de despresurización), se puede ajustar mediante la aguja ajustable incorporada. Para ello, retirar el anillo bayoneta que incluye la mirilla y la junta de la caja.

El ajuste mecánico del punto cero se realiza girando el tornillo ranurado de la aguja micrométrica.

Tornillo de cabeza ranurada



5. Puesta en servicio, funcionamiento

Punto cero eléctrico

Si se ha modificado el punto cero mecánico mediante la aguja micrométrica, el punto cero eléctrico debe corresponderse y adaptarse a éste. Para esto alcanzar el valor de presión del inicio de escala. El inicio de escala corresponde al señal eléctrico más pequeño (en función de la variante 0 mA, 4 mA o 0 V).

ES

Puentee los contactos 5 y 6 en el inserto de casquillo con un pequeño trozo de cable pelado en ambos extremos (resistencia máx. admisible 30 Ω).

Instalación de la caja de conexiones

- Conectar el inserto del zócalo a la tapa del cable y montar la tapa del cable con la junta y el tornillo (ver dibujo del zócalo del cable).
- Enchufar con junta el conjunto que acaba de ser montado en la parte inferior de la hembra para cables.
- Con un destornillador de paleta (0,6 x 3,5 mm), aflojar completamente y retirar el tornillo de la cubierta de la caja de conexiones.



Para que se mantenga la protección, es imprescindible volver a montar las juntas.

Almacenamiento del punto cero en la electrónica del transmisor

Después de conectar la alimentación auxiliar, el nuevo punto cero se almacena en la electrónica del transmisor en un máximo de 30 segundos. Durante este tiempo, se puede medir un aumento de corriente en el bucle de corriente hasta 9,5 mA en una unidad de visualización (por ejemplo, un medidor de corriente) con fines de comprobación.

Quitar el puente terminal

- Desconectar la alimentación auxiliar y la unidad de visualización.
- Realice el "Desmontaje de la caja de conexiones" descrito anteriormente.
- Retire el cable trenzado del inserto hembra para puentear los terminales 5 y 6.
- Realice la "Instalación de la caja de conexiones" descrita anteriormente.

La señal eléctrica de salida vuelve a ser idéntica con el indicador mecánico. Cierre todas las válvulas abiertas para el ajuste del punto cero.

5.4 Puesta en servicio

Evitar golpes de ariete en todo caso, abrir lentamente las válvulas de cierre.

6. Errores



¡PELIGRO!

Peligro de muerte por explosión

El uso en atmósferas fácilmente inflamables causa peligros de explosión que pueden causar la muerte.

- ▶ ¡Eliminar defectos sólo en atmósferas no inflamables!



¡CUIDADO!

Lesiones corporales, daños materiales y del medio ambiente

Si no se pueden solucionar los defectos mencionados se debe poner el dispositivo inmediatamente fuera de servicio.

- ▶ Asegurar que el dispositivo no queda expuesto a presión o una señal y protegerlo contra usos accidentales.
- ▶ Contactar el fabricante.
- ▶ Si desea devolver el instrumento, observar las indicaciones en el capítulo 8.2 "Devolución".



¡ADVERTENCIA!

Lesiones corporales, daños materiales y del medio ambiente causados por medios peligrosos

En caso de contacto con medios peligrosos (p. ej. oxígeno, acetileno, inflamables o tóxicos) medios nocivos para la salud (p. ej. corrosivas, tóxicas, cancerígenas radioactivas) y con sistemas de refrigeración o compresores existe el peligro de lesiones corporales, daños materiales y del medio ambiente. En caso de fallo es posible que haya medios agresivos con temperaturas extremas o de bajo presión o que haya un vacío en el instrumento.

- ▶ En el tratamiento de estos medios se debe observar las reglas específicas además de las reglas generales.
- ▶ Utilizar el equipo de protección necesario.



Datos de contacto ver capítulo 1 "Información general" o parte posterior del manual de instrucciones.

6. Errores / 7. Mantenimiento y limpieza

| Errores | Causas | Medidas |
|--|---|--|
| Sin señal de salida | Alimentación auxiliar insuficiente o rotura de conductor. | Revisar la fuente de alimentación y los conductores. |
| | Conexión errónea. | Revisar el conexionado. |
| | Electrónica de transmisores defectuosa debido a sobretensión. | Sustituir el instrumento. |
| Señal de salida estable a pesar de la variación de presión | Entrada de presión bloqueada | Limpiar el conducto de presión en la conexión de proceso |
| | Fuente de alimentación erróneamente conectada (polaridad invertida). ($I = \text{aprox. } 4,5 \text{ mA}$). | Revisar el conexionado. |
| | Electrónica de transmisores defectuosa | Sustituir el instrumento. |
| Señal de salida demasiado elevada y constante a pesar de la variación de presión. | Punteo de los bornes 5 y 6 no retirado ($I = \text{aprox. } 9,5 \text{ mA}$). | Retirar el punteo de los terminales. Véase el capítulo 5.3. "Ajuste del punto cero". |
| | Electrónica de transmisores defectuosa debido a sobretensión. | Sustituir el instrumento. |
| Insuficiente señal de span. | Tensión de alimentación demasiado baja | Ajuste la tensión de alimentación y compruebe cables. |
| | Impedancia de carga demasiado alta | Considere la carga máx. admisible. |
| | Punto cero desajustado. | Véase el capítulo 5.3. "Ajuste del punto cero". |
| Señal de punto cero demasiado baja o demasiado alta. | Punto cero desajustado. | Véase el capítulo 5.3. "Ajuste del punto cero". |

Para la sustitución del instrumento, leer el capítulo 8 "Desmontaje, devolución y eliminación de residuos" y 5 "Puesta en servicio, funcionamiento".

7. Mantenimiento y limpieza

7.1 Mantenimiento

Los instrumentos no requieren mantenimiento.

Controlar el instrumento y la función de conmutación una o dos veces al año. La prueba puede llevarse a cabo por separado del proceso con un dispositivo de prueba de presión.

Inspección de dispositivos llenos

En caso de instrumentos llenados se debe controlar el nivel de carga una o dos veces por año.

El nivel de líquido no debe caer por debajo del 75 % del diámetro del instrumento.



¡ADVERTENCIA!

Peligro de muerte debido a un llenado o rellenado inadmisibles del instrumento con pérdida de la protección contra explosiones.

El llenado/rellenado del equipo por personas no autorizadas ocasionará la pérdida de la protección contra explosiones y puede provocar daños al equipo.

- ▶ Haga reparar los aparatos sólo por personal autorizado.
- ▶ Si desea devolver el instrumento, observar las indicaciones en el capítulo 8.2 “Devolución”.

ES

Todas las reparaciones solamente las debe efectuar el fabricante.

7.2 Limpieza



¡CUIDADO!

Lesiones corporales, daños materiales y del medio ambiente

Una limpieza inadecuada provoca lesiones corporales, daños materiales y del medio ambiente. Medios residuales en el instrumento desmontado pueden causar riesgos para personas, medio ambiente e instalación.

- ▶ Realizar el proceso de limpieza tal como se describe a continuación.

1. Antes de proceder con la limpieza hay que separar debidamente el instrumento de cualquier fuente de presión, apagarlo y desenchufarlo de la red.
2. Utilizar el equipo de protección necesario.
3. Limpiar el instrumento con un trapo húmedo.
¡No poner las conexiones eléctricas en contacto con la humedad!



¡CUIDADO!

Daño al dispositivo

¡Una limpieza inadecuada puede dañar el dispositivo!

- ▶ No utilizar productos de limpieza agresivos.
 - ▶ No utilizar objetos duros o puntiagudos para limpiar.
4. Enjuagar y limpiar el dispositivo desmontado para proteger a las personas y el medio ambiente contra peligros por medios residuales adherentes.

8. Desmontaje, devolución y eliminación de residuos



¡ADVERTENCIA!

Lesiones corporales, daños materiales y del medio ambiente por medios residuales

Medios residuales en el instrumento desmontado pueden causar riesgos para personas, medio ambiente e instalación.

- ▶ Utilizar el equipo de protección necesario.
- ▶ Observar la ficha de datos de seguridad correspondiente al medio.
- ▶ Enjuagar y limpiar el dispositivo desmontado para proteger a las personas y el medio ambiente contra peligros por medios residuales adherentes.

ES

8.1 Desmontaje



¡ADVERTENCIA!

Riesgo de quemaduras

Peligro debido a medios muy calientes que se escapan durante el desmontaje.

- ▶ ¡Dejar enfriar el instrumento lo suficiente antes de desmontarlo!



¡PELIGRO!

Peligro de muerte por corriente eléctrica

Existe peligro directo de muerte al tocar piezas bajo tensión.

- ▶ El desmontaje del instrumento solo puede ser realizado por personal especializado.
- ▶ Desmontar el instrumento solo en estado de desconexión de la red.



¡ADVERTENCIA!

Lesión corporal

Al desmontar existe el peligro debido a los medios agresivos y altas presiones.

- ▶ Observar la ficha de datos de seguridad correspondiente al medio.
- ▶ Desmontar el instrumento solo si no está sometido a presión.

En caso necesario hay que destensar la línea de medición. En manómetros con membrana no se deben soltar los tornillos de sujeción de la bridas superior e inferior no deben soltarse.

8.2 Devolución

Es imprescindible observar lo siguiente para el envío del instrumento:

Todos los instrumentos enviados a WIKA deben estar libres de sustancias peligrosas (ácidos, lejías, soluciones, etc.) y, por lo tanto, deben limpiarse antes de devolver.

8. Desmontaje, devolución y eliminación de residuos



¡ADVERTENCIA!

Lesiones corporales, daños materiales y del medio ambiente por medios residuales

Medios residuales en el instrumento desmontado pueden causar riesgos para personas, medio ambiente e instalación.

- ▶ En caso de sustancias peligrosas adjuntar la ficha de datos de seguridad correspondiente al medio.
- ▶ Limpieza del dispositivo, consultar el capítulo 7.2 “Limpieza”.

ES

Utilizar el embalaje original o un embalaje adecuado para la devolución del instrumento.



Comentarios sobre el procedimiento de las devoluciones encuentra en el apartado “Servicio” en nuestra página web local.

8.3 Eliminación de residuos

Una eliminación incorrecta puede provocar peligros para el medio ambiente. Eliminar los componentes de los instrumentos y los materiales de embalaje conforme a los reglamentos relativos al tratamiento de residuos y eliminación vigentes en el país de utilización.



No eliminar en las basuras domésticas. Garantizar una eliminación correcta según las prescripciones nacionales.

9. Datos técnicos



¡PELIGRO!

Peligro de muerte debido a la pérdida de la protección contra explosiones

La inobservancia de la información para su uso en zonas potencialmente explosivas conduce a la pérdida de la protección contra explosiones.

- ▶ Observar los valores límite y las indicaciones técnicas detallados a continuación.
- ▶ La caja contiene piezas de material no metálico que pueden verse afectadas negativamente por las condiciones ambientales. Debe asegurarse de que las piezas no metálicas no se dañen debido a condiciones ambientales.

Partes no metálicas de la caja

PUR, TPU, PA 6, EPDM, NBR (opción), FMQ (opción)

9.1 Conexión eléctrica

Caja de conexiones para cable estándar

Conector hembra montado en el lado derecho de la caja

Material: PA 6, negro

Según VDE 0110 grupo de aislamiento C/250 V

Prensaestopa M20 x 1,5 (hacia abajo) con descarga de tracción

6 terminales de tornillo + PE para una sección de cable conductor de 1,5 mm².

Salida de cable

Longitud del cable 2 m o 5 m, salida hacia abajo a la derecha

Material: PVC

Conector miniatura

Conector en miniatura M8 x 1, de 4 pines

9.2 Componentes electrónicos para zonas no explosivas

Modelo 891.44

| | |
|--|---|
| Señal de salida | Variante 1: 4 ... 20 mA, 2 hilos, pasivos, conforme a NAMUR NE43 Variante 3: 0 ... 20 mA, 3 hilos Variante 4: 0 ... 10 V, 3 hilos |
| Alimentación auxiliar U_B | Variante 1+3: DC 12 ... 30 V Variante 4: DC 15 ... 30 V |
| Influencia de la alimentación auxiliar | $\leq 0,1$ % del valor final/10 V |
| Ondulación residual admisible de U_B | ≤ 10 % ss |
| Carga máxima admisible R_A | Variante 1, 3: $R_A \leq (U_B - 12 \text{ V})/0,02 \text{ A}$ con R_A en ohmios y U_B en voltios, pero máx. 600 Ω Variante 4: $R_A = 100 \text{ k}\Omega$ |
| Efecto de la carga (variante 1 + 3) | $\leq 0,1$ % del valor final |

9. Datos técnicos

Modelo 891.44

| | |
|---|---|
| Impedancia en la salida de tensión | 0,5 Ω |
| Estabilidad a largo plazo sistema electrónico | < 0,3 % del valor final por año |
| Señal de salida electr. | ≤ 1 % del span de medición |
| Desviación de la curva característica | ≤ 1 % del span de medición (ajuste de puntos límite) |
| Resolución | 0,13 % del valor final (resolución 10 bit a 360°) |
| Frecuencia de actualización (frecuencia de medición) | 600 ms |

ES

9.3 Electrónica de transmisores para zonas potencialmente explosivas

Modelo 892.44

| | |
|---|---|
| Señal de salida | Variante 2: 4 20 mA, 2 hilos, para zonas potencialmente explosivas |
| Alimentación auxiliar U_B | DC 14 ... 30 V |
| Influencia de la alimentación auxiliar | $\leq 0,1$ % del valor final/10 V |
| Ondulación residual admisible de U_B | ≤ 10 % ss |
| Carga máxima admisible R_A | $R_A \leq (U_B - 12 \text{ V})/0,02 \text{ A}$ con R_A en Ω y U_B en V, pero máx. 600 Ω |
| Efecto de la carga | $\leq 0,1$ % del valor final |
| Impedancia en la salida de tensión | 0,5 Ω |
| Estabilidad a largo plazo sistema electrónico | < 0,3 % del valor final por año |
| Señal de salida electr. | ≤ 1 % del span de medición |
| Desviación de la curva característica | ≤ 1 % del span de medición (ajuste de puntos límite) |
| Resolución | 0,13 % del valor final (resolución 10 bit a 360°) |
| Frecuencia de actualización (frecuencia de medición) | 600 ms |

Valores máximos de seguridad

| U_i | I_i | P_i | C_i | L_i |
|---------|--------|--------|-------|--------------|
| DC 30 V | 100 mA | 720 mW | 11 nF | despreciable |

Para más información, véase el anexo "Declaración de conformidad UE"

9. Datos técnicos

9.4 Manómetros con señal de salida

Modelo PGT23.063

| | |
|--|--|
| Carga de presión máxima | |
| Carga estática | 3/4 x valor final de escala |
| Carga dinámica | 2/3 x valor final de escala |
| Carga puntual | Valor final de escala |
| Influencia de temperatura | En caso de desviación de la temperatura de referencia en el sistema de medición (+20 °C): máx. ±0,8 %/10 K del valor final de escala |
| Materiales en contacto con el medio | |
| Conexión a proceso, elemento sensible | Acero inoxidable 316L |
| Materiales sin contacto con el medio | |
| Caja, aro de bayoneta | Acero inoxidable |
| Mecanismo | Latón |
| Esfera | Aluminio, blanco, subdivisión negra |
| Aguja | Aluminio, negro |
| Mirilla | Polycarbonato o vidrio laminado de seguridad |
| Tipo de protección según IEC/EN 60529 | IP54; opción: IP65 |

Para consultar más datos técnicos véase hoja técnica PV 12.03

Modelos PGT23.100, PGT23.160, PGT26.100, PGT26.160

| | |
|--|--|
| Carga de presión máxima | |
| Carga estática | Valor final de escala |
| Carga dinámica | 0,9 x valor final de escala |
| Carga puntual | 1,3 x valor final de escala |
| Influencia de temperatura | En caso de desviación de la temperatura de referencia en el sistema de medición (+20 °C): máx. ±0,4 %/10 K del valor final de escala |
| Materiales en contacto con el medio | |
| Conexión a proceso, elemento sensible | PGT23.100, PGT23.160: acero inoxidable 316L PGT26.100, PGT26.160: Monel |
| Materiales sin contacto con el medio | |
| Caja, aro de bayoneta | Acero inoxidable |
| Mecanismo | Latón |
| Esfera | Aluminio, blanco, subdivisión negra |
| Aguja | Aluminio, negro |
| Aguja | Aluminio, rojo |
| Mirilla | Vidrio laminado de seguridad |
| Tipo de protección según IEC/EN 60529 | IP65 ¹⁾ ; opción: IP66 |

1) Grado de protección IP54 para posición de conexión trasera inferior descentrada.

Para consultar más datos técnicos véase hoja técnica PV 12.04

9. Datos técnicos

Modelos PGT43.100, PGT43.160

| | |
|--|---|
| Carga de presión máxima | |
| Carga estática | Valor final de escala |
| Carga dinámica | 0,9 x valor final de escala |
| Protección a sobrepresión | 5 x valor final de escala, pero máx. 40 bar |
| Influencia de temperatura | En caso de desviación de la temperatura de referencia en el sistema de medición (+20 °C): máx. $\pm 0,8 \%$ /10 K del valor final de escala |
| Materiales en contacto con el medio | |
| Conexión a proceso con brida inferior | Acero inoxidable 316L |
| Elemento sensible | $\leq 0,25$ bar: acero inoxidable 316L > 0,25 bar: aleación de acero inoxidable (Inconel) |
| Junta | FPM/FKM |
| Materiales sin contacto con el medio | |
| Caja, aro de bayoneta | Acero inoxidable |
| Mecanismo | Latón |
| Esfera | Aluminio, blanco, subdivisión negra |
| Aguja | Aluminio, negro |
| Mirilla | Vidrio laminado de seguridad |
| Tipo de protección según IEC/EN 60529 | IP54; opción: IP65 |

Para consultar más datos técnicos véase hoja técnica PV 14.03

Modelo PGT43HP

| | |
|--|---|
| Carga de presión máxima | |
| Carga estática | Valor final de escala |
| Carga dinámica | 0,9 x valor final de escala |
| Protección a sobrepresión | 40, 100 ó 400 bar |
| Influencia de temperatura | En caso de desviación de la temperatura de referencia en el sistema de medición (+20 °C): máx. $\pm 0,8 \%$ /10 K del valor final de escala |
| Materiales en contacto con el medio | |
| Conexión a proceso con brida inferior | Acero inoxidable 316L |
| Elemento sensible | $\leq 0,25$ bar: acero inoxidable 316L > 0,25 bar: aleación de acero inoxidable (Inconel) |
| Junta | FPM/FKM |
| Materiales sin contacto con el medio | |
| Caja, aro de bayoneta | Acero inoxidable |
| Mecanismo | Latón |
| Esfera | Aluminio, blanco, subdivisión negra |
| Aguja | Aluminio, negro |
| Mirilla | Vidrio laminado de seguridad |
| Tipo de protección según IEC/EN 60529 | IP54; opción: IP65 |

Para consultar más datos técnicos véase hoja técnica PV 14.07

9. Datos técnicos

Modelo PGT63HP

| | |
|--|---|
| Carga de presión máxima | |
| Carga estática | Valor final de escala |
| Carga dinámica | 0,9 x valor final de escala |
| Protección a sobrepresión | 50 x valor final de escala |
| Influencia de temperatura | En caso de desviación de la temperatura de referencia en el sistema de medición (+20 °C): máx. $\pm 0,6$ %/10 K del valor final de escala |
| Materiales en contacto con el medio | |
| Conexión a proceso, elemento sensible | Acero inoxidable 316Ti (1.4571) |
| Junta | PTFE |
| Materiales sin contacto con el medio | |
| Caja, aro de bayoneta | Acero inoxidable |
| Mecanismo | Latón |
| Esfera | Aluminio, blanco, subdivisión negra |
| Aguja | Aluminio, negro |
| Mirilla | Vidrio laminado de seguridad |
| Tipo de protección según IEC/EN 60529 | IP54 |

Para consultar más datos técnicos véase hoja técnica PV 16.06

Modelo APGT43

| | |
|--|--|
| Carga de presión máxima | |
| Carga estática | Valor final de escala |
| Carga dinámica | 0,9 x valor final de escala |
| Protección a sobrepresión | por lo menos 1 bar de presión absoluta (presión atmosférica), además de 10 veces el valor final de escala, máx. 25 bar de presión absoluta |
| Influencia de temperatura | En caso de desviación de la temperatura de referencia en el sistema de medición (+20 °C): máx. $\pm 0,8$ %/10 K del valor final de escala |
| Materiales en contacto con el medio | |
| Conexión a proceso | Acero inoxidable 316L |
| Elemento sensible | $\leq 0,25$ bar: Acero inoxidable 316Ti (1.4571) $> 0,25$ bar: aleación de acero inoxidable (Inconel) |
| Materiales sin contacto con el medio | |
| Caja, aro de bayoneta | Acero inoxidable |
| Mecanismo | Latón |
| Esfera | Aluminio, blanco, subdivisión negra |
| Aguja | Aluminio, negro |
| Mirilla | Vidrio laminado de seguridad |
| Tipo de protección según IEC/EN 60529 | IP54; opción: IP65 |

Para consultar más datos técnicos véase hoja técnica PV 15.02

9. Datos técnicos

Modelos DPGT43.100, DPGT43.160

| | |
|--|---|
| Carga de presión máxima | |
| Carga estática | Valor final de escala |
| Carga dinámica | 0,9 x valor final de escala |
| Protección a la sobrepresión y máx. presión de trabajo | véase la tabla siguiente |
| Influencia de temperatura | En caso de desviación de la temperatura de referencia en el sistema de medición (+20 °C): máx. $\pm 0,5 \%$ /10 K del valor final de escala correspondiente |
| Materiales en contacto con el medio | |
| Cámara de medios con conexión a proceso, ventilación de las cámaras de medios, fuelles | Acero inoxidable 316Ti (1.4571) |
| Elemento sensible | $\leq 0,25$ bar: acero inoxidable 316L $> 0,25$ bar: aleación de acero inoxidable (Inconel) |
| Materiales sin contacto con el medio | |
| Caja, aro de bayoneta | Acero inoxidable |
| Mecanismo | Latón |
| Esfera | Aluminio, blanco, subdivisión negra |
| Aguja | Aluminio, negro |
| Mirilla | Vidrio laminado de seguridad |
| Tipo de protección según IEC/EN 60529 | IP54; opción: IP65 |

ES

Protección a la sobrepresión y máx. presión de trabajo

| Rangos de indicación | Protección a la sobrepresión en bar Unilateral, bilateral y alternante máx. | | Presión máx. de trabajo en bar (presión estática) | |
|----------------------------------|---|--------|---|--------|
| | Estándar | Opción | Estándar | Opción |
| 0 ... 16 a 0 ... 40 mbar | 2,5 | - | 2,5 | 6 |
| 0 ... 60 a 0 ... 250 mbar | 2,5 | 6 | 6 | 10 |
| 0 ... 400 mbar | 4 | 40 | 25 | 40 |
| 0 ... 0,6 bar | 6 | 40 | 25 | 40 |
| 0 ... 1 bar | 10 | 40 | 25 | 40 |
| 0 ... 1,6 bar | 16 | 40 | 25 | 40 |
| 0 ... 2.5 a 0 ... 25 bar | 25 | 40 | 25 | 40 |

Para consultar más datos técnicos véase hoja técnica PV 17.05

9. Datos técnicos

Modelos DPGT43HP.100, DPGT43HP.160

| | |
|--|---|
| Carga de presión máxima | |
| Carga estática | Valor final de escala |
| Carga dinámica | 0,9 x valor final de escala |
| Protección a la sobrepresión y máx. presión de trabajo | Unilateral, bilateral y alternante máx. 40, 100, 250 o 400 bar |
| Influencia de temperatura | En caso de desviación de la temperatura de referencia en el sistema de medición (+20 °C): máx. $\pm 0,5 \%$ /10 K del valor final de escala correspondiente |
| Materiales en contacto con el medio | |
| Cámara de medios con conexión a proceso, ventilación de las cámaras de medios, fuelles | Acero inoxidable 316Ti (1.4571) |
| Elemento sensible | $\leq 0,25$ bar: acero inoxidable 316L > 0,25 bar: acero inoxidable 316L/Inconel |
| Materiales sin contacto con el medio | |
| Líquido de llenado del sistema de la célula de medición | Aceite de silicona |
| Caja, mecanismo, aro de bayoneta | Acero inoxidable |
| Esfera | Aluminio, blanco, subdivisión negra |
| Aguja | Aluminio, negro |
| Mirilla | Vidrio laminado de seguridad |
| Tipo de protección según IEC/EN 60529 | IP54; opción: IP65 |

Para consultar más datos técnicos véase hoja técnica PV 17.13



EU-Konformitätserklärung EU Declaration of Conformity

Dokument Nr. **14406942.01**
Document No.


Wir erklären in alleiniger Verantwortung, dass die mit CE gekennzeichneten Produkte
We declare under our sole responsibility that the CE marked products

Typenbezeichnungen (vollständige Typenliste siehe Anhang):
Type Designations (refer to annex for exhaustive list of types): **111, 131, 232, PGS23, PGS26, PGT23, PGT26**

Beschreibung **Manometer mit elektrischem Ausgang**
Description **Pressure gauges with electrical output**

gemäß gültigem Datenblatt **Siehe Anhang**
according to the valid data sheet **Refer to annex**

mit den nachfolgenden relevanten Harmonisierungsvorschriften der Union übereinstimmen **Angewandte harmonisierte Normen**
are in conformity with the following relevant Union harmonisation legislation **Applied harmonised standards**


| | | |
|------------|---|---|
| 2011/65/EU | Gefährliche Stoffe (RoHS) Hazardous substances (RoHS) | EN 50581:2012 |
| 2014/68/EU | Druckgeräterichtlinie (DGRL) ⁽¹⁾ Pressure Equipment Directive (PED) ⁽¹⁾ | |
| 2014/30/EU | Elektromagnetische Verträglichkeit (EMV) ^(2, 3) Electromagnetic Compatibility (EMC) ^(2, 3) | EN 61326-1:2013 ⁽²⁾ EN 61326-2-3:2013 ⁽²⁾ EN 60947-5-2:2007 +A1:2012 ⁽³⁾ EN 60947-5-6:2000 ⁽³⁾ |
| 2014/34/EU | Explosionsschutz (ATEX) ⁽⁴⁾ Explosion protection (ATEX) ⁽⁴⁾ | |
| |  II 2G Ex ia IIC T6/T5/T4 Gb II 2D Ex ia IIB T85°C/T95°C/T100°C/T135°C Db II 2G Ex ia IIB T6/T5/T4 Gb ⁽⁵⁾ II 2G Ex ia IIA T6/T5/T4 Gb ⁽⁵⁾ | EN IEC 60079-0:2018 EN 60079-11:2012 |

- (1) Für Modelle mit PS ≥ 200 bar; Modul A, druckhaltendes Ausrüstungsteil
For models with PS ≥ 200 bar; Module A, pressure accessory
- (2) Für Modelle mit der Option: **+892.44**
For models with the option:
- (3) Für Modelle mit mindestens einer der Optionen: **+831, +831.***
For models with at least one of the options:
- (4) EU-Baumusterprüfbescheinigung CML 18ATEX2109X von CML B.V., Amsterdam (Reg.-Nr. 2776).
EU type-examination certificate CML 18ATEX2109X of CML B.V., Amsterdam (Reg. no. 2776).
- (5) Für Modelle mit der zusätzlichen Option: **+PTFE Auskleidung**
For models with the additional option: **+PTFE lining**

Unterzeichnet für und im Namen von / Signed for and on behalf of

WIKAL Alexander Wiegand SE & Co. KG

Klingenberg, 2020-05-27


Peter Koll, General Director
Division Gauges, WIKAL Polska


Ralf Gross, Director Quality
Division Gauges, WIKAL Polska

WIKAL Alexander Wiegand SE & Co. KG
Alexander-Wiegand-Straße 30
63911 Klingenberg
Germany
WEEE-Reg.-Nr. DE 92770372

Tel. +49 9372 132-0
Fax +49 9372 132-406
E-Mail info@wika.de
www.wika.de

Kommanditgesellschaft, Sitz Klingenberg -
Amtsgericht Aschaffenburg HRA 1819

Komplementärin:
WIKAL International SE - Sitz Klingenberg -
Amtsgericht Aschaffenburg HRB 10505
Vorstand: Alexander Wiegand
Vorsitzender des Aufsichtsrats: Dr. Max Egli

20AR-03857



14336002.02, Anhang / Annex

| Typenbezeichnung+Option Type Designation +option | +mögliche zusätzliche Option +possible additional option | Datenblatt Data sheet |
|---|---|--------------------------|
| 111.11.050 +831-N | | PM 01.03 |
| 131.11.050 +831-N | | PM 01.05 |
| 232.35.063 +831 oder / or +831-* | | PM 02.11 |
| PGS23.063 +831 oder / or +831-* | | PV 22.03 |
| PGS23.1x0 +831-* | | PV 22.02 |
| PGS26.063 +831 oder / or +831-* | | PV 22.03 |
| PGS26.1x0 +831-* | | PV 22.02 |
| PGT23.1x0 +892.44 | +831-* | PV 12.04 |
| PGT26.1x0 +892.44 | +831-* | PV 12.04 |

x Nenngröße (NG) / Nominal size (NS):
0 = 100mm; 6 = 160mm

* Optionen für Schaltkontakte (modellabhängig) / Options for switches (depending on model):
N / SN / 3.5N / 3.5SN / 3.5S1N

WIKAI Alexander Wiegand SE & Co. KG
Alexander-Wiegand-Straße 30
63911 Klingenberg
Germany
WEEE-Reg.-Nr. DE 92770372

Tel. +49 9372 132-0
Fax +49 9372 132-406
E-Mail info@wika.de
www.wika.de

Kommanditgesellschaft: Sitz Klingenberg –
Amtsgericht Aschaffenburg HRA 1819

Komplementärin:
WIKAI International SE - Sitz Klingenberg -
Amtsgericht Aschaffenburg HRB 10505
Vorstand: Alexander Wiegand
Vorsitzender des Aufsichtsrats: Dr. Max Egli
20AR-03657



EU-Konformitätserklärung EU Declaration of Conformity

Dokument Nr.
Document No. 14336002.03

Wir erklären in alleiniger Verantwortung, dass die mit CE gekennzeichneten Produkte
We declare under our sole responsibility that the CE marked products

Typenbezeichnungen (vollständige Typenliste siehe Anhang):
Type Designations (refer to annex for exhaustive list of types):

432, 433, 532, 533, 562, 563, 632,
APGT43, DPGS43, DPGS43HP, DPGT43, DPGT43HP, PGS43,
PGT43, PGT43HP, PGT63HP

Beschreibung
Description


Manometer mit elektrischem Ausgang
Pressure gauges with electrical output

gemäß gültigem Datenblatt
according to the valid data sheet

Siehe Anhang
Refer to annex

mit den nachfolgenden relevanten Harmonisierungsvorschriften der Union
übereinstimmen
are in conformity with the following relevant Union harmonisation legislation

Angewandte harmonisierte Normen
Applied harmonised standards

| | | |
|------------|---|---|
| 2011/65/EU | Gefährliche Stoffe (RoHS) Hazardous substances (RoHS) | EN IEC 63000:2018 |
| 2014/68/EU | Druckgeräterichtlinie (DGRL) ⁽¹⁾ Pressure Equipment Directive (PED) ⁽¹⁾ | |
| 2014/30/EU | Elektromagnetische Verträglichkeit (EMV) ^(2, 3) Electromagnetic Compatibility (EMC) ^(2, 3) | EN 61326-1:2013 ⁽²⁾ EN 61326-2-3:2013 ⁽²⁾ EN 60947-5-2:2007 +A1:2012 ⁽³⁾ EN 60947-5-6:2000 ⁽³⁾ |
| 2014/34/EU | Explosionsschutz (ATEX) ⁽⁴⁾ Explosion protection (ATEX) ⁽⁴⁾ | |
| |  II 2G Ex ia IIC T6/T5/T4 Gb II 2D Ex ia IIIB T85°C/T95°C/T100°C/T135°C Db II 2G Ex ia IIIB T6/T5/T4 Gb ⁽⁵⁾ II 2G Ex ia IIA T6/T5/T4 Gb ⁽⁵⁾ | EN IEC 60079-0:2018 EN 60079-11:2012 |

- (1) Für Modelle mit PS ≥ 200 bar; Modul A, druckhaltendes Ausrüstungsteil
For models with PS ≥ 200 bar; Module A, pressure accessory
- (2) Für Modelle mit der Option: +892.44
For models with the option:
- (3) Für Modelle mit mindestens einer der Optionen: +831, +831-
For models with at least one of the options:
- (4) EU-Baumusterprüfbescheinigung CML 18ATEX2109X von CML B.V., Amsterdam (Reg.-Nr. 2776).
EU type-examination certificate CML 18ATEX2109X of CML B.V., Amsterdam (Reg. no. 2776).
- (5) Für Modelle mit der zusätzlichen Option: +PTFE Auskleidung (Anm.: IIC ist erlaubt mit entsprechendem Warnhinweis auf dem Gerät)
For models with the additional option: +PTFE lining (note: IIC permitted with appropriate warning marking on the device)

Unterzeichnet für und im Namen von / Signed for and on behalf of

WIKAI Alexander Wiegand SE & Co. KG

Klingenberg, 2020-11-12

Alfred Häfner, Vice President
Process Instrumentation Pressure

Roland Stapf, Head of Quality Assurance
Process Instrumentation Corporate Quality

WIKAI Alexander Wiegand SE & Co. KG
Alexander-Wiegand-Strasse 30
63911 Klingenberg
Germany
WEEE-Reg.-Nr. DE 92770372

Tel. +49 9372 132-0
Fax +49 9372 132-406
E-Mail info@wika.de
www.wika.de

Kommanditgesellschaft, Sitz Klingenberg –
Amtsgericht Aschaffenburg HRA 1819

Komplementärin:
WIKAI International SE - Sitz Klingenberg -
Amtsgericht Aschaffenburg HRB 10505
Vorstand: Alexander Wiegand
Vorsitzender des Aufsichtsrats: Dr. Max Egli
20AR-03695



14336002.02. Anhang / Annex

| Typenbezeichnung+Option <i>Type Designation +option</i> | +mögliche zusätzliche Option <i>+possible additional option</i> | Datenblatt <i>Data sheet</i> |
|--|--|---------------------------------|
| 43b.c6.1x0 +831-* | +PTFE | PV 24.07 |
| 5ab.5d.1x0 +831-* | | PV 25.02 |
| 632.51.1x0 +831-* | | PV 26.06 |
| APGT43.1x0 +892.44 | +831-* | PV 15.02 |
| DPGS43.1x0 +831-* | | PV 27.05 |
| DPGS43HP.1x0 +831-* | | PV 27.13 |
| DPGT43.1x0 +892.44 | +831-* | PV 17.05 |
| DPGT43HP.1x0 +892.44 | +831-* | PV 17.13 |
| PGS43.1x0 +831-* | +PTFE | PV 24.03 |
| PGT43.1x0 +892.44 | +831-* | PV 14.03 |
| PGT43HP.1x0 +892.44 | +831-* | PV 14.07 |
| PGT63HP.1x0 +892.44 | +831-* | PV 16.06 |

x Nenngröße (NG) / Nominal size (NS):
0 = 100mm; 6 = 160mm

a Ausführung / Version:
3 = Edelstahl / stainless steel; 6 = Monel

b Gehäusefüllung / Filling status:
2 = ungefüllt / not filled; 3 = gefüllt / filled

c Gehäuseausführung / Housing
3 = Sicherheitsausführung / Safety version; 5 = Standard

d Klassengenauigkeit / Accuracy:
2 = Klasse / class 1,0; 3 = Klasse / class 1,6; 4 = Klasse / class 2,5

* Optionen für Schaltkontakte (modellabhängig) / Options for switches (depending on model):
N / SN / 3.5N / 3.5SN / 3.5S1N