

Operating instructions
Betriebsanleitung

Dead-weight tester in compact design, model CPB3800

EN

Druckwaage in Kompaktausführung, Typ CPB3800

DE



Dead-weight tester in compact design, model CPB3800

avrorarm.ru
+7 (495) 956-62-18



EN	Operating instructions model CPB3800	Page	3 - 46
-----------	---	-------------	---------------

DE	Betriebsanleitung Typ CPB3800	Seite	47 - 90
-----------	--------------------------------------	--------------	----------------

Further languages can be found at www.wika.com.

© 2013 WIKA Alexander Wiegand SE & Co. KG
All rights reserved. / Alle Rechte vorbehalten.
WIKA® is a registered trademark in various countries.
WIKA® ist eine geschützte Marke in verschiedenen Ländern.

Prior to starting any work, read the operating instructions!
Keep for later use!

Vor Beginn aller Arbeiten Betriebsanleitung lesen!
Zum späteren Gebrauch aufbewahren!

Contents

1. General information	4
2. Safety	6
2.1 Intended use	6
2.2 Personnel qualification	7
2.3 Personal protective equipment	7
2.4 Special hazards	8
2.5 Labelling, safety marks	10
3. Specifications	11
4. Design and function	20
4.1 Description	20
4.2 Scope of delivery	20
4.3 Base unit	20
4.4 Piston unit	23
4.5 Function	23
5. Transport, packaging and storage	24
6. Commissioning, operation	25
6.1 Unpacking the dead-weight tester	25
6.2 Environmental requirement	25
6.3 Assembly of base units	25
6.4 Assembly of piston unit	26
6.5 Assembly of the dead-weight tester	27
6.6 Procedure	29
6.7 Completion	31
6.8 Pressure calculation computer software standard accuracy program	32
6.9 Temperature measurement of piston units	32
6.10 Cleaning gauges	33
7. Maintenance, cleaning and recalibration	34
7.1 Periodic maintenance	34
7.2 Corrective maintenance	34
7.3 Cleaning	38
7.4 Recalibration	39
8. Faults	41
9. Return and disposal	43
10. Accessories	45
Appendix: EC Declaration of conformity for model CPB3800	46

Declarations of conformity can be found online at www.wika.com.

1. General information

1. General information

EN

- The model CPB3800 dead-weight tester in compact design described in the operating instructions has been designed and manufactured using state-of-the-art technology. All components are subject to stringent quality and environmental criteria during production. Our management systems are certified to ISO 9001 and ISO 14001.
- These operating instructions contain important information on handling the instrument. Working safely requires that all safety instructions and work instructions are observed.
- Observe the relevant local accident prevention regulations and general safety regulations for the instrument's range of use.
- The operating instructions are part of the product and must be kept in the immediate vicinity of the instrument and readily accessible to skilled personnel at any time. Pass the operating instructions onto the next operator or owner of the instrument.
- Skilled personnel must have carefully read and understood the operating instructions prior to beginning any work.
- The general terms and conditions contained in the sales documentation shall apply.
- Subject to technical modifications.
- Factory calibrations / DKD/DAkKS calibrations are carried out in accordance with international standards.

1. General information

EN

■ Further information:

DH-Budenberg

A division of WIKA Instruments Ltd.

- Internet address: www.wika.de / www.wika.com
- Relevant data sheet: CT 31.06
- Application consultant: Tel.: +44 844 4060086
Fax: +44 844 4060087
sales@dh-budenberg.co.uk

WIKA Alexander Wiegand SE & Co. KG

- Internet address: www.wika.de / www.wika.com
- Relevant data sheet: CT 31.06
- Application consultant: Tel.: +49 9372 132-0
Fax: +49 9372 132-406
info@wika.com

Explanation of symbols



WARNING!

... indicates a potentially dangerous situation that can result in serious injury or death, if not avoided.



CAUTION!

... indicates a potentially dangerous situation that can result in light injuries or damage to equipment or the environment, if not avoided.



Information

... points out useful tips, recommendations and information for efficient and trouble-free operation.

2. Safety

EN



WARNING!

Before installation, commissioning and operation, ensure that the appropriate dead-weight tester has been selected in terms of measuring range, design and specific measuring conditions.

Non-observance can result in serious injury and/or damage to the equipment.



Further important safety instructions can be found in the individual chapters of these operating instructions.

2.1 Intended use

Pressure balances (dead-weight testers) are the most accurate instruments available on the market for the calibration of electronic or mechanical pressure measuring instruments. By direct measurement of the pressure as the quotient of force and area ($p = F/A$), pressure balances (dead-weight testers) are approved as primary standards.

The core component of the CPB3800 is therefore a very precisely-manufactured piston-cylinder system, onto which a mass load is applied in order to generate the individual test points. The mass load applied are proportional to the target pressure and this is achieved through graduated disc weight. A maximum pressure of 1,200 bar must not be exceeded.

The pressure is set via an integrated, finely-adjustable, precision dual area spindle pump. As soon as the measuring system reaches equilibrium, there is a balance of forces between the pressure and the mass load applied. Then the test item can be calibrated or adjustments can be carried out.

Due to its stand-alone operation (integrated pressure generation and the pure mechanical measuring principle), the model CPB3800 is ideal for on-site use for maintenance and service.

The instrument has been designed and built solely for the intended use described here, and may only be used accordingly.

The technical specifications contained in these operating instructions must be observed. Improper handling or operation of the instrument outside of its technical specifications requires the instrument to be taken out of service immediately and inspected by an authorised DH-Budenberg/WIKA service engineer.

Handle mechanical precision measuring instruments with the required care (protect from humidity, impacts, strong magnetic fields, static electricity and extreme temperatures, do not insert any objects into the instrument or its openings).

If the instrument is transported from a cold into a warm environment, the formation of condensation may result in instrument malfunction. Before putting it back into operation, wait for the instrument temperature and the room temperature to equalise.

The manufacturer shall not be liable for claims of any type based on operation contrary to the intended use.

2.2 Personnel qualification



WARNING!

Risk of injury should qualification be insufficient!

Improper handling can result in considerable injury and damage to equipment.

- The activities described in these operating instructions may only be carried out by skilled personnel who have the qualifications described below.
- Keep unqualified personnel away from hazardous areas.

Skilled personnel

Skilled personnel are understood to be personnel who, based on their technical training, knowledge of measurement and control technology and on their experience and knowledge of country-specific regulations, current standards and directives, are capable of carrying out the work described and independently recognising potential hazards.

Special operating conditions require further appropriate knowledge, e.g. of aggressive media.

DH-Budenebrg/WIKA can provide dedicated training courses on the correct use of our products. Please contact your local office for further details.

2.3 Personal protective equipment (P.P.E.)

The personal protective equipment is designed to protect the skilled personnel from hazards that could impair their safety or health during work. When carrying out the various tasks on and with the instrument, the skilled personnel must wear personal protective equipment.

2. Safety

EN

Follow the instructions, displayed in the work area, regarding personal protective equipment!

The required personal protective equipment must be provided by the operating company.



Wear safety goggles!

Protect eyes from flying particles and liquid splashes.



Wear protective gloves!

Protect hands from contact with aggressive media.

2.4 Special hazards



WARNING!

To ensure safe working on the instrument, the operating company must ensure

- that suitable first-aid equipment is available and aid is provided whenever required.
- that the operating personnel are regularly instructed in all topics regarding work safety, first aid and environmental protection and knows the operating instructions and, in particular, the safety instructions contained therein.



WARNING!

Residual media at the dead-weight tester can result in a risk to persons, the environment and the equipment. Take sufficient precautionary measures.

2.4.1 Mineral oils health and safety information

DH-Budenberg/WIKA provide hydraulic mineral oil in 500 ml containers labelled "ISO VG 22" for use up to 4,000 bar in dead-weight testers. It is no more hazardous than other common lubricating oils.

2. Safety



It is the nature of the way in which this equipment is used, that there could be frequent and/or prolonged skin contact; in a few individuals this could give rise to skin irritation (Keratosiis or Dermatitis). The use of an effective barrier cream and/or protective gloves will greatly reduce this possibility.

EN

Description

Closed flash point	greater than 120 °C
Storage	not above 30 °C
Oral LD 50	15 g per kg body weight
Threshold limit value	5 mg/m ³
Fire extinguishing media	CO ₂ /dry chemical foam or water fog
Spillage	Soak with absorbent clay or proprietary absorbent
Waste disposal	Burn or dump in approved area

Emergency treatment of acute effects

Ingestion	Do not induce vomiting. Administer 250 ml milk or olive oil. The main hazard following accidental ingestion is aspiration of liquid into lungs.
Aspiration	Send to hospital immediately
Inhalation	Remove to fresh air, if nausea persists seek medical attention.
Eye contact	Wash with copious amounts of water for at least 10 minutes. If irritation results or persists, obtain medical advice.
Skin contact	Where skin rashes or other abnormalities occur as a result of prolonged or repeated contact, medical advice should be obtained as soon as possible.

2.4.2 Other liquids

For some very particular applications we supply specially constructed liquids. Copies of manufacturer's data can be sent on request.

2. Safety

2.4.3 Lifting of masses

EN





WARNING!

Care must be taken when lifting the masses onto the dead-weight tester. Each mass must be lifted individually and never attempt to lift stack of masses on or off the dead-weight tester.

2.5 Labelling, safety marks

Product label

DH·Budenberg   **CE** ← For an explanation of symbols, see below.

Kolbenmanometer / Pressure Balance CPB3800

SERIAL No. **XXXXXXX** ← Serial No.

Max. PRESSURE **1200 bar** ← Pressure range

MANUFACTURED **03/2012** ← Date of manufacture

DH-Budenberg
10 Huntsman Drive, Irlam, Manchester, M44 5AY, U.K.
www.wika.com

WIKAI

Explanation of symbols



Before mounting and commissioning the instrument, ensure you read the operating instructions!



CE, Communauté Européenne

Instruments bearing this mark comply with the relevant European directives.

3. Specifications

EN

3. Specifications

Piston-cylinder systems (standard)

Measuring range ¹⁾	bar	1 ... 120	2.5 ... 300	5 ... 700	10 ... 1,200
Required masses	kg	41	50	58	50
Smallest step ²⁾ (Standard mass set)	bar	1	2.5	5	10
Nominal effective area of the piston	in ²	1/16	1/40	1/80	1/160
Measuring range ¹⁾	lb/in ²	10 ... 1,600	25 ... 4,000	50 ... 10,000	100 ... 16,000
Required masses	kg	47	47	58	47
Smallest step ²⁾ (Standard mass set)	lb/in ²	10	25	50	100
Nominal effective area of the piston	in ²	1/16	1/40	1/80	1/160

Accuracies

Standard ³⁾ ⁴⁾	0.05 % of reading
Option ³⁾ ⁴⁾	0.025 % of reading

Pressure transmission medium Hydraulic fluid based on VG22 mineral oil (0.5 l included in scope of delivery)

Material

Piston	Tungsten carbide
Cylinder	Tungsten carbide
Mass set	Stainless steel, non-magnetic

Weight

Piston-cylinder system	kg	2.4			
BAR mass set incl. mass carrier	kg	41.5	50.5	58.5	50.5
lb/in ² mass set incl. mass carrier	kg	47.5	47.5	58.5	47.5
Storage case for mass set (optional, 2 pieces required)	kg	5.8			

Dimensions

Storage case for mass set (optional)	400 x 310 x 310 mm (W x H x D) and 215 x 310 x 310 mm (W x H x D)
--------------------------------------	--

- 1) Theoretical starting value; corresponds to the pressure value generated by the piston or the piston and its make-up weights (by their own weight). To optimise the operating characteristics more masses should be loaded.
- 2) The smallest pressure change value that can be achieved based on the standard mass set. To reduce this, a set of fine increment masses is also available.
- 3) The accuracy from 10 % of the measuring range is based on the measured value. In the lower range, a fixed error based on 10 % of the range applies.
- 4) Measurement uncertainty assuming reference conditions (ambient temperature 20 °C, atmospheric pressure 1,013 mbar, relative humidity 40 %). For operation without a CalibratorUnit, corrections must be made if required.

3. Specifications

Base

Connections

Connection for piston-cylinder system	G ¾ B (male)
Test item connection	G ½ female thread, loose union connection

Material

Wetted parts	Austenitic stainless steel, high tensile brass, nitrile rubber
--------------	--

Pressure transmission medium	Hydraulic fluid based on VG22 mineral oil (0.5 l included in scope of delivery) ⁵⁾
-------------------------------------	---

Reservoir	170 cm ³
-----------	---------------------

Weight

Base	13.5 kg
------	---------

Storage case for the base (optional)	8.5 kg
--------------------------------------	--------

Permissible ambient conditions

Operating temperature	18 ... 28 °C
-----------------------	--------------

Dimensions

Base	401 x 397 x 155 mm) (W x D x H), for details, see technical drawings
------	---

5) Other pressure transmission media on request.

CE conformity and certificates

CE conformity

Pressure equipment directive	97/23/EC (Module A)
------------------------------	---------------------

Certificate

Calibration	Calibration certificate Option: UKAS calibration certificate (pressure calibration with a mass set) for CPB3800 standard models Option: UKAS calibration certificate (area and mass calibration) for CPS/CPM5800 only
-------------	---

Approvals and certificates, see website

For further specifications see WIKA data sheet CT 31.06 and the order documentation.

3. Specifications

EN

Tables of masses

The following tables show, for the respective measuring range, the number of masses within a mass set, with their resulting nominal pressures.

Should the instrument not be operated under reference conditions (ambient temperature 20 °C, atmospheric pressure 1,013 mbar, relative humidity 40 %), relevant corrections must be made.

The disc weights are manufactured, as standard, to standard gravity of 9.80665 m/s². As an optional extra, mass sets can be manufactured for customer local gravity value.

Standard mass sets

Measuring range [bar]	1 ... 120		2,5 ... 300	
	Quantity	Nominal pressure per piece [bar]	Quantity	Nominal pressure per piece [bar]
Piston and make-up weight	1	1	1	2.5
Piston, mass carrier and mass carrier make-up weight	1	20	1	50
Masses (stackable on mass carrier)	3	20	3	50
Masses (stackable on piston)	1	20	1	50
	1	10	1	25
	2	4	2	10
	1	2	1	5
	1	1	1	2.5

Measuring range [bar]	5 ... 700		10 ... 1.200	
	Quantity	Nominal pressure per piece [bar]	Quantity	Nominal pressure per piece [bar]
Piston and make-up weight	1	5	1	10
Piston, mass carrier and mass carrier make-up weight	1	100	1	200
Masses (stackable on mass carrier)	4	100	3	200
Masses (stackable on piston)	1	100	1	200
	1	50	1	100
	2	20	2	40
	1	10	1	20
	1	5	1	10

3. Specifications

EN

Measuring range [lb/in ²]	10 ... 1,600		25 ... 4,000	
	Quantity	Nominal pressure per piece [lb/in ²]	Quantity	Nominal pressure per piece [lb/in ²]
Piston	1	10	1	25
Mass carrier and mass carrier make-up weight	1	190	1	475
Masses (stackable on mass carrier)	5	200	5	500
Masses (stackable on piston)	1	200	1	500
	1	100	1	250
	2	40	2	100
	1	20	1	50
	1	10	1	25

Measuring range [lb/in ²]	50 ... 10,000		100 ... 16,000	
	Quantity	Nominal pressure per piece [lb/in ²]	Quantity	Nominal pressure per piece [lb/in ²]
Piston	1	50	1	100
mass carrier and mass carrier make-up weight	1	950	1	1,900
Masses (stackable on mass carrier)	7	1,000	5	2,000
Masses (stackable on piston)	1	1,000	1	2,000
	1	500	1	1,000
	2	200	2	400
	1	100	1	200
	1	50	1	100

3. Specifications

Transport dimensions for complete instrument

The complete instrument, in its standard version and standard scope of delivery, consists of three packages on a single pallet.

The dimensions are 1,200 x 800 x 500 mm.

The overall weight is dependant on the measuring range.

EN

Standard CPB3800 units

Version in bar	Weight in kg		Version in lb/in ²	Weight in kg	
	net	gross		net	gross
1 ... 120 bar	71	89	10 ... 1,600 lb/in ²	68	86
2.5 ... 300 bar	71	89	25 ... 4,000 lb/in ²	68	86
5 ... 700 bar	71	89	50 ... 10,000 lb/in ²	68	86
10 ... 1,200 bar	71	89	100 ... 16,000 lb/in ²	68	86

Optional CPS/CPM5800 units with CPB3800 base

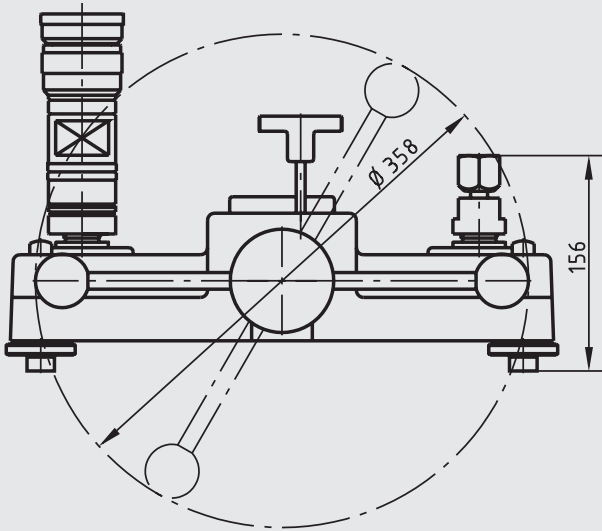
Version in bar	Weight in kg		Version in psi	Weight in kg	
	net	gross		net	gross
Single-piston measuring ranges			Single-piston measuring ranges		
1 ... 120 bar	77	95.5	10 ... 1,600 psi	73	91.5
2 ... 300 bar	77	95.5	30 ... 4,000 psi	72.5	91
Dual-piston measuring ranges			Dual-piston measuring ranges		
1 ... 60 bar / 10 ... 700 bar	85.5	104	10 ... 800 psi / 100 ... 10,000 psi	84.5	103
1 ... 60 bar / 20 ... 1,200 bar	77.5	96	10 ... 800 psi / 200 ... 16,000 psi	73	91.5
1 ... 60 bar / 20 ... 1,400 bar	85.5	104	10 ... 800 psi / 200 ... 20,000 psi	84.5	103

3. Specifications

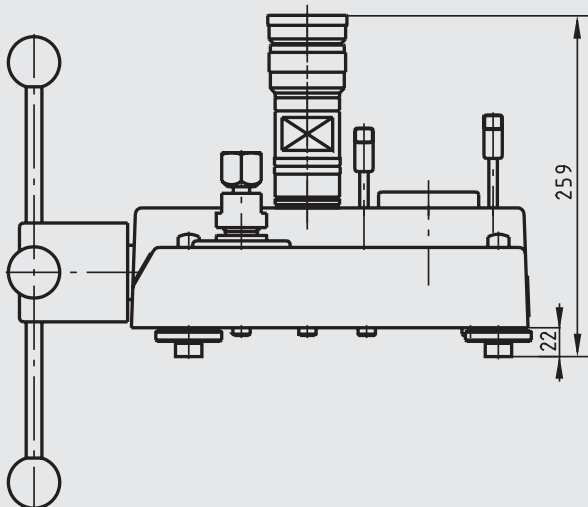
Dimensions in mm

(without disc weights)

EN Front view



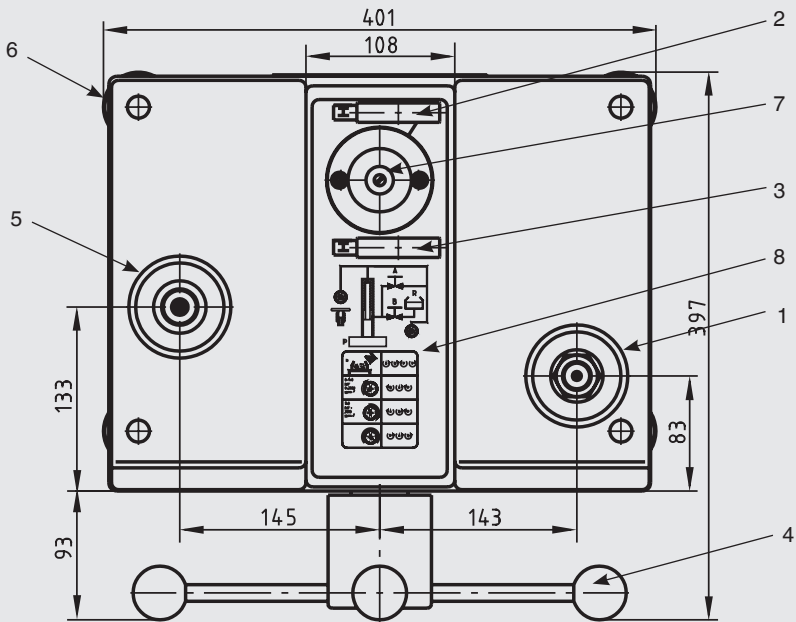
Side view



3. Specifications

EN

Top view

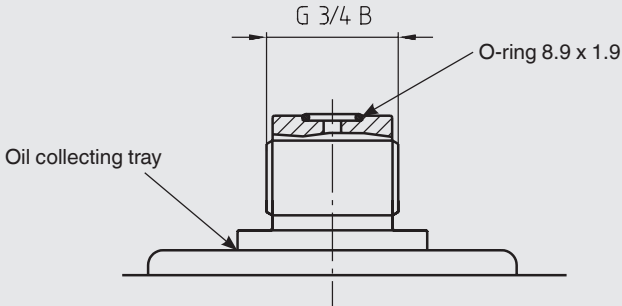


- (1) Test item connection
- (2) High-pressure shut-off valve
- (3) Low-pressure shut-off valve
- (4) Dual-area spindle pump with star handle
- (5) Piston-cylinder system
- (6) Rotatable feet
- (7) Reservoir with screwed sealing plug
- (8) Pressure generation control schematic

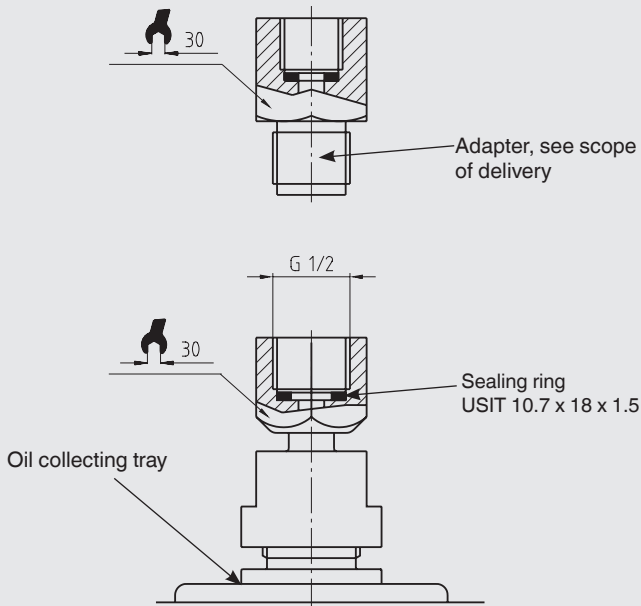
3. Specifications

EN

Standard connection piston-cylinder system



Test connection



When using thread adapters, the thread adapter has to be connected pressure tight to the test item first. After that the test item with mounted adapter can be inserted into the test connection and can be oriented.

3. Specifications

EN

Liquids used

A hydraulic mineral oil viscosity 20 ... 37 cSt at 40 °C viscosity grade VG20 to VG37 to ISO 3448 (BS 4231) is used for the CPB3800 base unit. Most users will be able to obtain locally suitable oil (see below) as used in hydraulic machinery. However, for the convenience of users we can supply a 500 ml bottle of oil, viscosity grade VG22.

Oils suitable for dead-weight testers

The following oils are the commercially available oils suitable for use in the dead-weight testers.

ISO 3448 viscosity grade	Approx. SAE viscosity classification	Shell	Esso	Mobil
VG22	--	Tellus 22 Tellus R22	Nuto H22	DTE 22
VG32	10W	Tellus V32 DTE 24	Nuto H32	DTE Oil Light
VG37	--	Tellus 37 Tellus R37 Tellus T37 Tellus V37	--	--

Other liquids

The dead-weight tester model CPB3800 is manufactured for use on mineral oil only. If an end user wishes to use it on another fluid, it is the end user responsibility to ensure that the fluid is compatible with high tensile brass, stainless steel, mild steel, and nitrile rubber, which are the materials that will come into contact with the fluid.



Fluids, which attack ABS, should be used with caution. Continual immersion of the cover in such fluids will cause deterioration. Spillages should be wiped off immediately.



Wear safety goggles!

Protect eyes from flying particles and liquid splashes.



Wear protective gloves!

Protect hands from contact with aggressive media.

4. Design and function

4. Design and function

EN

4.1 Description

The model CPB3800 dead-weight tester in compact design provides optimum features for laboratory use whilst being rugged enough for industrial requirements. It provides a highly accurate measurement of pressure.

The piston unit is screwed on to the left hand side pressure block of the base unit and the test item is connected to the right hand pressure block.

4.2 Scope of delivery

- Base
- Dual-area spindle pump for filling, pressure generation and fine pressure adjustment
- Piston connection with G $\frac{3}{4}$ B male thread
- Test item connection with G $\frac{1}{2}$ female thread, loose union connection
- Adapter set for test item connection selectable from 3 different sets:
 - Adapter set "BSP" G $\frac{1}{2}$ male on G $\frac{1}{8}$, G $\frac{1}{4}$, G $\frac{3}{8}$ and G $\frac{1}{2}$ female
 - Adapter set "NPT" G $\frac{1}{2}$ male on $\frac{1}{8}$ NPT, $\frac{1}{4}$ NPT, $\frac{3}{8}$ NPT and $\frac{1}{2}$ NPT female
 - Adapter set "metric" G $\frac{1}{2}$ male on M12 x 1.5 and M20 x 1.5 female
- Piston-cylinder system
- Mass set manufactured to standard gravity (9.80665 m/s²)
- VG22 mineral oil (0.5 litre)
- Tool and maintenance set consisting of:
 - 1 hexagon wrench key 3 mm A/F
 - 2 x 30 mm A/F open-ended spanners
 - 1 spirit level
 - 4 level plates
 - 1 bag of seals
 - 1 G $\frac{1}{2}$ ($\frac{1}{2}$ " BSP) angle connection
 - 1 pointer press-on tool
 - 1 pointer remover
 - 1 test item connection
- Operating instructions in German and English language
- Factory calibration certificate

Cross-check scope of delivery with delivery note.

4.3 Base unit

The model CPB3800 series base unit consists of a solid aluminium base plate mounted on four adjustable levelling feet, a spindle pump, reservoir, control valves, pipework to

4. Design and function

EN

two stainless steel pressure connection blocks. The pipework and above mentioned assemblies are covered by an easy to clean ABS cover.

4.3.1 Spindle pump

The spindle pump is bolted to the reservoir/high pressure cylinder block fastened to the base unit. A sectioned view of the pump is shown. The rotating handwheel (**C**) which is operated by the spokes (**D**) is attached to a threaded spindle (**E**). The spindle is supported in a sintered bearing (**F**). As the spindle (**E**) is rotated, it drives a non-rotating ram (**E** and **K**) forward, the thrust being taken by a needle thrust bearing (**G**). The large diameter of the ram (**H**) in the barrel of the pump (**J**) primes the pressure system and provides the low pressure up to approximately 140 bar (2,000 lb/in²). The small diameter of the ram (**K**) in the reservoir/ high pressure cylinder block provides the higher test pressures up to 1,200 bar (16,000 lb/in²).

4.3.2 Reservoir

A liquid reservoir is provided on the top of reservoir/high pressure cylinder block. The reservoir is provided with a translucent cover to enable the reservoir level to be monitored. A plug in the middle of the reservoir cover to allow the reservoir to be filled or topped up (the plug is removed whilst the dead-weight tester is in use). The reservoir contains enough liquid (approximately 150 cm³) to enable normal operation of the dead-weight tester to be carried out.

Low pressure ram displacement = 60 cm³

High pressure ram displacement = 10 cm³

4.3.3 Control valves

Two control valves are provided on the top of reservoir/high pressure cylinder block. The valve mechanisms are built into the reservoir/high pressure cylinder block and they control the flow of liquid through internal drillings in the reservoir/high pressure cylinder block. The rear valve is referred to as valve **A** and is used to control the output from the larger diameter ram of the spindle pump. The front valve is referred to as valve **B** and is used to control the flow of liquid to and from the reservoir.

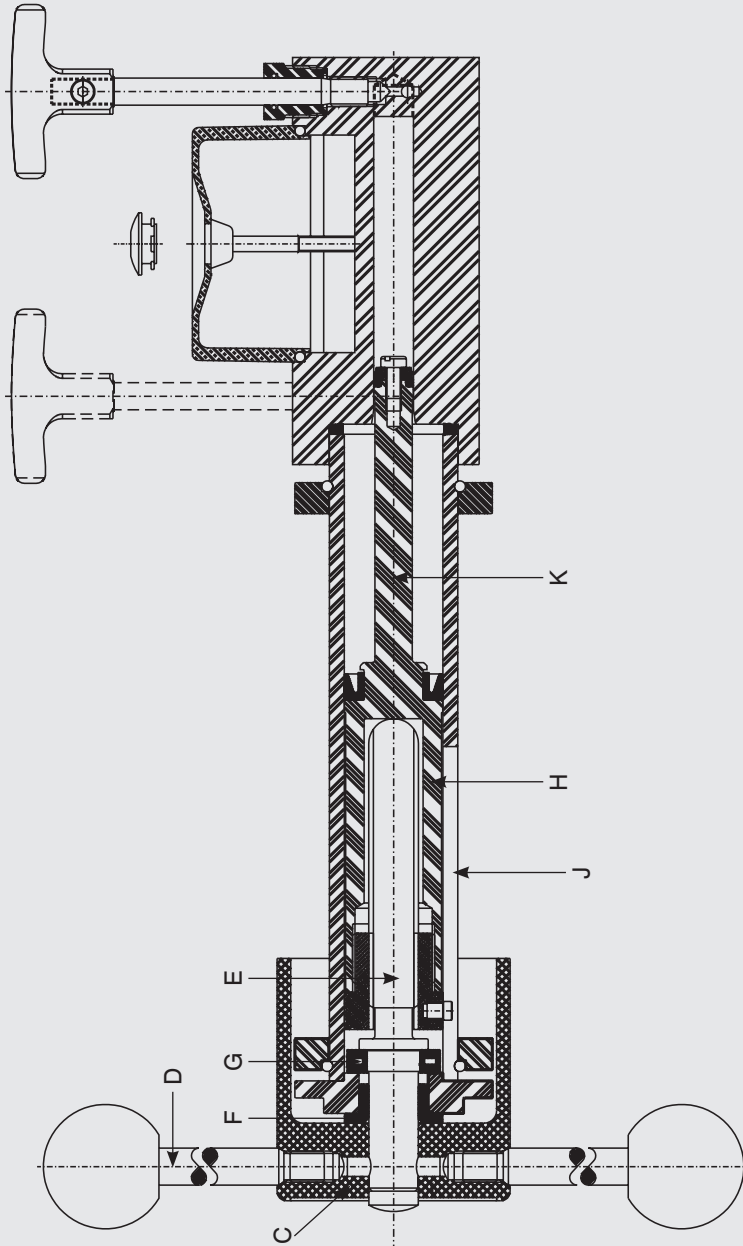
4.3.4 Connection blocks

Pressure supply pipes from the spindle pump are terminated at two pressure blocks mounted on the base unit. The pressure blocks are fitted with threaded bosses projecting up through the cover plate of the base unit. These threaded bosses enable piston units to be directly screwed on to them or connections for various sizes of gauge connections to be screwed on to them. Oil cups are fitted to the unit cover around the threaded bosses of the connection blocks to catch any oil drips from the gauge stand during gauge fitting and removal.

4. Design and function

Sectioned view of spindle pump

EN



4. Design and function

4.4 Piston unit

The piston unit of the model CPB3800 is a single range piston unit, which covers the range up to 1,200 bar (16,000 lb/in²).

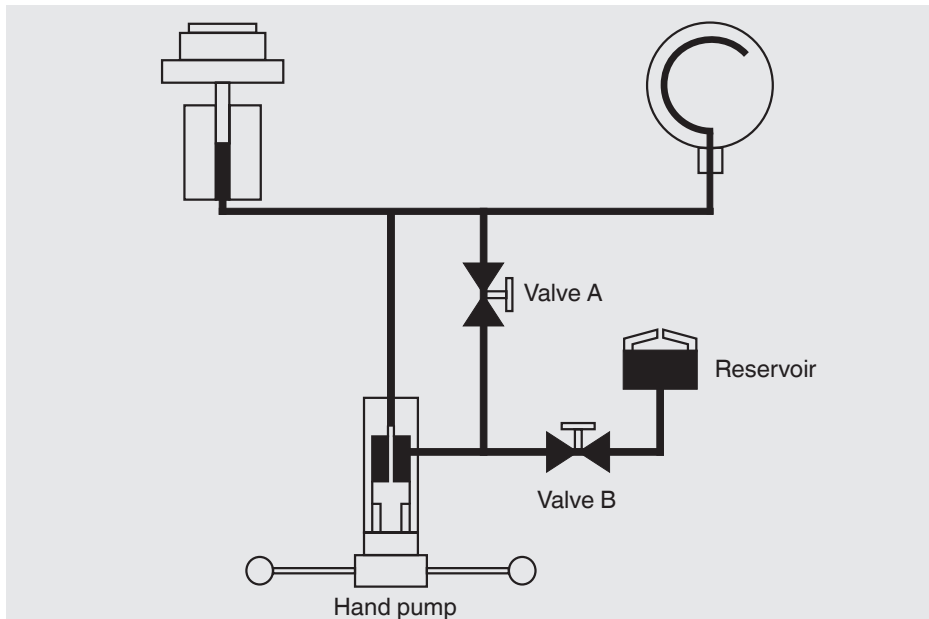
Masses are loaded directly onto the piston head for low pressure calibration points. A coloured band indicates when the piston is floating.

For higher pressure points, a mass carrier is fitted directly to the piston head, and disc weights located at the bottom of the mass carrier or located on top of it. A machined groove on the main piston body indicates when the piston is floating.

EN

4.5 Function

Operation of the dead-weight tester is controlled by the two valves **A** and **B** on the top of the reservoir/high pressure cylinder block. When initially priming the system valves **A** and **B** are opened to fill the system with oil from the reservoir. Valve **B** is then closed with valve **A** left open and the spindle pump operated to provide the lower test pressures. To provide the higher pressures valve **A** is closed to seal off the test circuit from the low pressure part of the spindle pump and valve **B** is opened to allow the liquid in the low pressure part of the spindle pump to return to the reservoir as the pump is operated. This ensures that the pump can be operated without having to put large forces on the spindle pump handwheel. To release the test pressure the spindle pump is wound out and valve **A** is opened.



5. Transport, packaging and storage

5. Transport, packaging and storage

EN

5.1 Transport

Check the model CPB3800 dead-weight tester for any damage that may have been caused by transport. Obvious damage must be reported immediately.

5.2 Packaging

Do not remove packaging until just before mounting.

Keep the packaging as it will provide optimum protection during transport (e.g. change in installation site, sending for repair or recalibration).



Disc weights are shipped in cardboard and not in their respective wooden cases, if ordered.

Wooden cases are not suitable for use as shipping cases.

5.3 Storage

Permissible conditions at the place of storage:

- Storage temperature: -10 ... +50 °C
- Humidity: 35 ... 85 % relative humidity for instrument base and mass set
35 ... 65 % relative humidity for piston-cylinder system (no condensation)

Avoid exposure to the following factors:

- Direct sunlight or proximity to hot objects
- Mechanical vibration, mechanical shock (putting it down hard)
- Soot, vapour, dust and corrosive gases
- Potentially explosive environments, flammable atmospheres
- Corrosive liquids

Store the model CPB3800 dead-weight tester in its original packaging in a location that fulfils the conditions listed above. If the original packaging is not available, pack and store the instrument as described below:

1. Wrap the instrument in an antistatic plastic film.
2. Place the instrument, along with shock-absorbent material, in the packaging.
3. If stored for a prolonged period of time (more than 30 days), place a bag, containing a desiccant, inside the packaging.

6. Commissioning, operation

6. Commissioning, operation

EN

6.1 Unpacking the dead-weight tester

As soon as possible after delivery open the packaging of the dead-weight tester and check that you have all the items detailed in the packing list (see chapter 4.2 "Scope of delivery"). As you are unpacking the items, examine them for signs of damage or breakage during transit.

If any items are missing get in touch immediately with DH-Budenberg/WIKA to inform us of the shortage.

6.2 Environmental requirement

When siting the dead-weight tester if not in a temperature controlled laboratory look for an area that satisfies the following criteria as much as possible:

- A constant temperature area free from draughts and sources of heat or cold
- An area free from noise and vibration, constantly used pathways
- A clean dry area free from corrosive liquids or vapours

A strong, stable, level table or workbench with the capability of supporting the system with sufficient space to operate is required.

6.3 Assembly of base units

Fastening base to bench

The base is to be mounted on a firm, level table or bench about 0.9 m high. The centre line of the front adjustable feet of the unit should be about 40 mm from the front edge of the bench to allow adequate clearance for the handwheel.

1. Mark the position of the adjustable feet of the unit on the top of the bench.
2. Position a level plate at the centre of each of the adjustable feet of the unit and screw the plate to the bench to ensure that the dead-weight tester is rigid.
3. Fit the base unit on the bench with the adjustable feet on the level plates and the handwheel shaft projecting over the front of the bench.
4. Screw in the four handwheel spokes into the hub.
5. Using the spirit level provided, level the unit in both the front/rear axis and the side to side axis by adjusting the four knurled feet, by placing the spirit level on top of the piston-cylinder system.

6. Commissioning, operation

6.4 Assembly of piston unit

The piston unit of the CPB3800 has its own transportation box that should be used for storing the unit when not in operation, and if the customer ever has to send the unit back for recalibration. The following details show how the piston is to be assembled/disassembled to the main body.

EN

1. Unscrew the knurled retaining cap from the main body.
2. Place the piston head on a flat surface, with the piston facing vertically.
3. Fit the knurled retaining cap to the piston via the eccentric hole.
4. Place the main piston body with the external thread in a vertical position.
5. Lubricate the piston with the pressure medium, and insert the piston into the cylinder in the main body in a vertical direction only.



WARNING!

Do not apply any transverse force. Excess force is not required.

6. Tighten the knurled retaining cap to the main body.
7. Lift the piston head until it engages against its internal stop. This movement should be free.



6.5 Assembly of the dead-weight tester

1. Fit the piston unit to the left hand connection. Ensure that the mating faces are clean and the 12 mm diameter O-ring seal correctly located. Excess force is not required to achieve an effective seal.
2. Check the level of the system base with the spirit level on the piston-cylinder system. Level if necessary by using the levelling screws. If using as a comparator, fit additional loose union connection (order number 14031251) to port that piston unit would be fitted to.
3. Fit the appropriate connection to the gauge stand, using a bonded seal to make the joint and screw a test gauge (for installation use a known gauge) into position, also with a bonded seal.

If preferred, a copper or leather washer can be substituted for the bonded seal at the gauge. The loose nut on the dead-weight tester base enables the gauge to be positioned as required and for back connection gauges the angle connection is screwed into the loose union connection.



When using thread adapters, the thread adapter has to be connected pressure tight to the test item first. After that the test item with mounted adapter can be inserted into the test connection and can be oriented.

6.5.1 Filling the base unit with liquid

1. Remove filler plug from reservoir by prising plug out. (This plug should be left out whilst in use).
2. Open valves **A** and **B**.
3. Wind spindle pump handle fully clockwise.
4. Fill reservoir with appropriate liquid. Use the oil supplied or an approved substitute for oil systems. Do not use other liquids. Castor based oils, Skydrol, solvents or similar liquids will attack the seals fitted in the dead-weight tester.
5. Wind spindle pump handle fully anti-clockwise.
6. Top up reservoir if necessary.



Wear safety goggles!

Protect eyes from flying particles and liquid splashes.

6. Commissioning, operation



Wear protective gloves!

Protect hands from contact with aggressive media.

EN

6.5.2 Post assembly test

1. Carry out a test calibration of a known instrument (see chapter 6.6 "Procedure") to ensure that the unit is working correctly.
2. Release the pressure and remove the test instrument.



To remove the instrument from the system, use the appropriate size of spanners on the top section of the pressure connection and on the body of the instrument only. Ensure that the lower part of the pressure connection is not rotated as this may release it from the base.

3. The system is now ready for use.



CAUTION!

If the volume required to be filled is very large requiring the use of an additional pump and reservoir to be connected to the model CPB3800, it is **ESSENTIAL** to ensure that valve **B** is kept open and valve **A** closed at all times otherwise a high pressure can be built up on the low pressure ram of the screw press and damage caused. To ensure this does not happen we can supply the system fitted with a relief valve, which will release at a set pressure, should the valve operation be incorrect.

Alternatively, we can supply a modified system and hand pump for this operation. For further information on both items contact DH-Budenberg/WIKA.



When testing equipment with a large volume, the capacity of the spindle pump (65 cm³) may be insufficient to reach the pressure required. In this case, the equipment should be filled as far as possible with the liquid before connecting it to the system, so that the displacement needed is reduced.

Dirty or chemically contaminated test items should not be fitted as they contaminate the system unless they are first cleaned.

6. Commissioning, operation



Wear safety goggles!

Protect eyes from flying particles and liquid splashes.



Wear protective gloves!

Protect hands from contact with aggressive media.

EN

6.6 Procedure

1. Fit instrument to be tested to gauge stand.
2. Load the masses equivalent to the desired pressure. Each mass is marked with its pressure value. The piston-cylinder system has a basic lb/in^2 start, for other pressure units a make-up weight is added to the piston head for conversion to bar.



For calibrating pressures less than the pressure value of the mass carrier make-up weight value, it is recommended that the top loading disc weights are used for calibration. When the required pressure calibration unit is bar, it is essential that the small make-up weight is fitted first before any other top loading disc weights.

For calibrating pressures greater than the pressure value mass carrier make-up weight value, the mass carrier should be fitted. All disc weights must be removed before fitting the mass carrier.

When the mass carrier is fitted, the initial masses that goes onto it is a large annular make-up weight. The small type make-up weight should not be used when the mass carrier is fitted.

6.6.1 To apply pressure

For pressures up to 140 bar (2,000lb/in²)

1. Close valve **B** (valve **A** remaining open).
2. Wind spindle pump handle clockwise. This will generate pressure up to approximately 140 bar or 2,000 lb/in^2 , as handle is wound in. When handle becomes stiff to rotate this will indicate that the pressure limit for this range has been reached.

6. Commissioning, operation

For pressures above 140 bar (2,000lb/in²)

EN

1. Ensure valve **B** closed and valve **A** open.
2. Wind spindle pump handle clockwise until the handle becomes stiff to operate.
3. Close Valve **A** and open valve **B**.
4. Continue to wind spindle pump handle clockwise. This will generate pressure up to approximately 1,200 bar or 16,000 lb/in².
5. When the piston rises and appears to floats, this indicates it is at its nominal desired pressure. When **only** disc weights are being utilised, a blue and yellow band indicates the float position. When the mass carrier is being employed, the bottom of the mass carrier will line up with a machined groove in the piston holders main body, to indicate its nominal desired pressure.

6.6.2 During calibration

When the dead-weight tester is correctly set up and there are no leaks the piston should “float” for many minutes without it being necessary to touch the spindle pump handwheel. On the initial setting up, however, there may be some air trapped in the base of the piston/cylinder unit. As this leaks past the piston the masses may fall slightly but it will only be for a matter of a few minutes until the air has escaped. If the piston continues to fall, check the connections for leaks.

During calibration, the masses should be rotated by hand. It is desirable that the masses should only be rotated when approximately the correct pressure is obtained. Masses should not be brought to rest by fully releasing the pressure and allowing the piston head to rotate against its stop under the full load of the mass pile.

It is essential that the masses spin freely during readings. The piston stops moving when the pressure is too high or too low. At the lowest pressures the masses will not spin for more than a few seconds unless a very thin oil is used, but providing the mass is rotated by hand before taking a reading and is obviously “floating” an accurate reading will be given.



CAUTION!

Care should be exercised at all times when rotating the masses. Failure to do so may cause damage to the actual piston unit, or possibly injury to the operator.

Therefore, the rotational motion should be stopped by hand. Only then new masses for further test points can be placed or the pressure can be released completely.

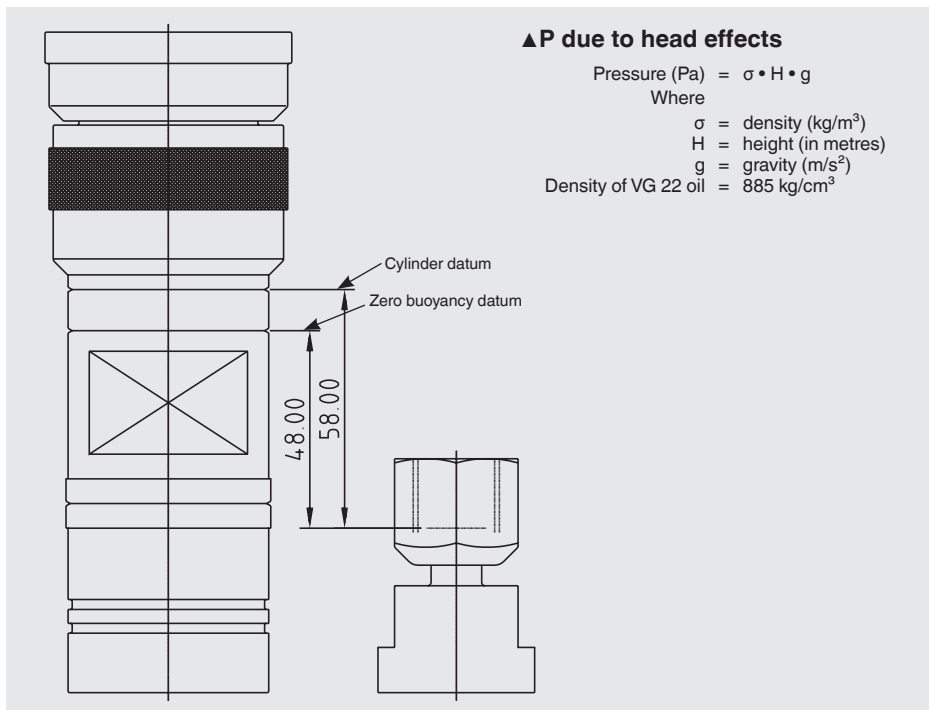
6. Commissioning, operation

EN

6.6.3 Datum levels

When testing gauges on liquid it is occasionally necessary to take into account heads of liquid since a height difference of 10 mm corresponds to approximately 1 mbar. The datum levels of the models CPB3800 piston units are marked with a groove on the outer diameter of the piston unit. It should be noted that when the dead-weight tester is re-calibrated by a laboratory other than DH-Budenberg/WIKA, the datum level at which the tests have been carried out may differ from this standard and therefore allowance should be made for any variation.

The drawing shows the head effect that may have to be compensated for when high accuracy calibration is desired. The following formula will enable the head correction to be calculated.



6. Commissioning, operation

6.7 Completion

EN

1. After the test is finished wind spindle pump handle anti-clockwise to lower pressure.
2. Gently open valve **A** or **B** to release residual pressure.
3. Ensure that both valves **A** and **B** are fully open.

The system is now ready for another test and any residual pressure is relieved.

6.8 Pressure calculation computer software standard accuracy program

This software enables the user to define his equipment and local conditions (gravity, temperature), so that when nominal pressures are entered, actual achieved pressures are displayed

These actual pressures will then be to the standard accuracy of the dead-weight tester.

To achieve the improved standard accuracy the user must enter the correction factor given on the improved accuracy certificate supplied with the piston unit.

Default conditions are input at DH-Budenberg/WIKA but once the user alters these, his values then become the default (no need to repeatedly insert your values).



This program has been written to aid users to maintain the standard accuracy of DH-Budenberg/WIKA dead-weight tester. It has not been written for use with any other makes of dead-weight testers.

The software can be accessed from the supplied CD in the folder “Customer Software” and “Standard Accuracy DWT”. Installation/Operating instructions should be read before using the software.

6.9 Temperature measurement of piston units

For many purposes, such as calibrating most type of dial gauges and sensors, accurate knowledge of the temperature of a piston unit is not necessary. However, in order to achieve the utmost accuracy from a dead-weight tester it is important to know the temperature of the piston unit as close as possible to the working part of the unit.

In laboratories where the room temperature is controlled it is most likely that the temperature of the working parts of the unit will not differ from the ambient temperature by more than 0.5 °C. When working in uncontrolled temperatures, however, one would have to measure the temperature of the piston unit.

6. Commissioning, operation

EN

A possible way to do this is to use a disc shaped thermistor type probe sensing element taped to the outer surface of the piston unit. The sensing element should be insulated from the ambient temperature by covering the element with a thin strip of polystyrene, or other insulating material, then taping this to the piston unit. Alternatively, a model CPU6000 CalibratorUnit may be used.

We can supply a suitable instrument. Please contact DH-Budenberg/WIKA.

6.10 Cleaning gauges

This cleaning/degreasing process is only suitable for use with pressure gauges with either phosphor bronze, beryllium copper, monel or stainless steel bourdon tubes in the form of a "C".

It is not advisable to degrease pressure gauges with steel bourdon tubes since a very small amount of corrosion on the bore of a bourdon tube can cause inaccuracies of reading and early failure of the tube.



Wear safety goggles!

Protect eyes from flying particles and liquid splashes.



Wear protective gloves!

Protect hands from contact with aggressive media.

This method of cleaning is not suitable for use with pressure gauges which are fitted with coiled bourdon tubes, nor any gauges which are to be used on oxygen, as complete removal of oil is not assured. Please contact DH-Budenberg/WIKA.

Equipment

This consists of a syringe and a special needle with the point bent through 90°.

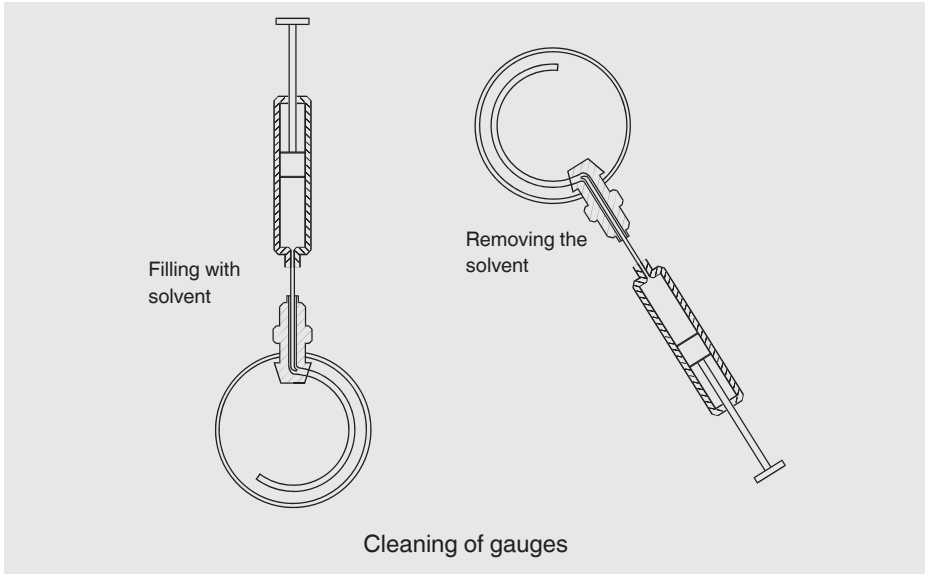
Instructions

1. Fill syringe with solvent (suitable cold degreasing liquid).
2. With gauge connection pointing upwards put needle into connection and insert by feel the point into the hole leading to the tube.

6. Commissioning, operation / 7. Maintenance, cleaning ...

3. Inject the solvent. Ideally the tube should be half full.
4. Shake gauge in various attitudes to agitate solvent.
5. Suck solvent back into syringe, holding gauge at an angle.
6. Check that solvent removed is clean. To be sure that all oil has been removed, repeat cleaning process until solvent removed from gauge is as clean as that put in.

EN



7. Maintenance, cleaning and recalibration

7.1 Periodic maintenance

Repairs must only be carried out by the manufacturer.

Cleaning the units and checking the liquid levels is the only periodic maintenance required. With normal use, no further maintenance should be necessary. If required, the system can be returned to the manufacturer for re-conditioning. Accuracy, overhaul and re-certification are also explained in chapter 7.4.1 "Factory overhaul and re-certification of dead-weight testers maintenance of accuracy".



Fluids, which attack ABS, should be used with caution. Continual immersion of the cover in such fluids will cause deterioration. Spillage's should be wiped off immediately.

7. Maintenance, cleaning and recalibration

EN

7.2 Corrective maintenance

7.2.1 General

This section contains details on stripping the unit and replacing the spare parts which are listed (see chapter 10 "Accessories"). The component identification numbers in brackets in each procedure refer to the following figure.

7.2.2 Removing the cover

1. Drain as much oil as possible from the dead-weight tester by winding the screw-press fully clockwise and using a drain screwed in the gauge stand.
2. Unscrew the loose union connection and piston-cylinder system.
3. Remove the oil cups by levering upwards carefully.
4. Slacken the socket set screw using a 3 mm hexagon wrench key and remove both handwheels.
5. Remove the four cover retaining screws and lift off the cover.

7.2.3 Reservoir seals

1. Unscrew two screws and remove the reservoir cover
2. Remove the O-ring seal **(6)** from the recess and the seloc seal **(7)** from the screws.
3. On replacement ensure all sealing faces are absolutely clean and do not overtighten screws.

7.2.4 Valve seals

1. Unscrew the gland nut.
2. Unscrew the valve spindle and remove the bonded seal.
3. Slide gland nut off spindle.
4. Using a suitable hooked tool remove the O-ring seal **(9)** from the bore of the gland nut. Renew O-ring and bonded seal **(10)**.
5. On replacement ensure that O-ring is correctly located in the groove and all sealing faces are clean. Remove all burrs from spindle.

7.2.5 Spindle pump

1. Using a 4 mm hexagon wrench key unscrew the six socket head cap screws securing the hub locating plate. (These are positioned inside the recess in the back of the aluminium hub).

7. Maintenance, cleaning and recalibration

EN

2. By carefully pulling the hub the complete ram assembly can now be withdrawn from the barrel (During this operation a container is required beneath the barrel to catch any liquid).
3. Unscrew the ram from the hub assembly.
4. The high pressure seal **(12)** and low pressure seal **(15)** can now be replaced. Before fitting the new seals check the ram is not scored on the locating diameters.
5. At this point the hub assembly should be checked for excess play indicating wear in the bearing and for wear in the screwed spindle and nut. If any wear is found it will be necessary to dismantle the hub assembly.
6. Check the bore of the block assembly **(11)** is not badly scored or pitted. If a replacement is required this item is supplied complete with valves. The block is attached to the base by socket head cap screws.
7. Re-assembly is a straightforward reversal of the above procedures.



On assembly care should be taken to align the ram to prevent bending, or damage to the seals. Excessive force should not be used.

The socket head cap screws are not spaced equally around the locating flanges so check hole alignment before inserting screws.

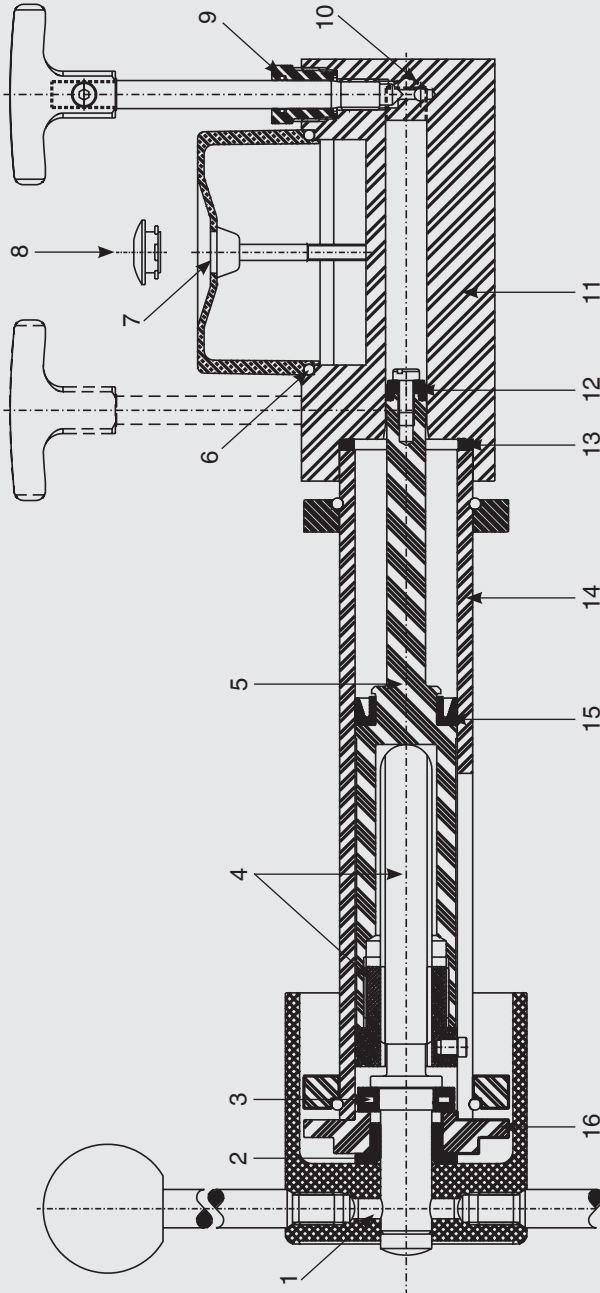
7.2.6 Hub assembly

1. Unscrew the ram from the spindle. **NOTE:** left hand thread.
2. Unscrew the spokes from the hub.
3. Knock out the spring pin **(1)**, found at the bottom of one of the tapped spoke holes in the hub, using a punch 6 mm dia. Pull off hub.
4. The hub locating plate and thrust bearing can now be removed from the spindle.
5. If the flanged bush **(2)** is to be renewed, it should be pressed out of the locating plate and a new one pressed in squarely.
6. The thrust bearing **(3)** is renewed as a complete assembly.
7. The nut, pin and spindle sub-assembly **(4)** can only be replaced as a matched pair. Unscrew the nut from the ram, gripping in a soft jaw vice and screw in the new nut.
8. Assemble the thrust bearing, locating plate and hub on to the spindle, lubricating with molybdenum disulphide grease.
9. Clamp these items together to eliminate end play and re-assemble spring pin. If using new spindle drill through 6.3 mm diameter to fit spring pin **(1)**.
10. Lubricate the thread with molybdenum disulphide grease and screw into ram nut.

14062232.04 03/2015 EN/DE

7. Maintenance, cleaning and recalibration

EN



7. Maintenance, cleaning and recalibration

7.2.7 Piston-cylinder system

EN

As the piston-cylinder system represents a high proportion of the total value of the dead-weight tester, it should always be handled with care and every effort made to keep it clean.

The piston-cylinder system is made to extremely fine limits of accuracy and it is not advisable to dismantle it. If it is necessary to clean it, the piston and cylinder bore must be oiled immediately, in order to protect the high grade finish.

Should the unit become damaged it should be returned complete for replacement or repair. Parts from different units are not interchangeable as they have to be weighed and evaluated as a whole.

The serial number of the piston-cylinder system appears in the certificate of accuracy and is marked on the body of the unit. This number, as well as the dead-weight tester serial number should always be quoted in correspondence concerning the piston/cylinder unit.

The piston-cylinder connections should be blanked if it is removed from the dead-weight tester. If the unit is taken off for any reason it should be stored upside-down, resting on its mass carrier.

This covers stripping the unit to enable simple repairs and the fitting of recommended spare parts to be carried out.

7.3 Cleaning

Cleaning the unit and checking the liquid levels.

Oil operation

Keep the system clean and free from spilt oil. Wipe out the oil cups under the gauge stands as necessary. Do not use any cleansing solvents as they may damage the seals.

Ensure that the reservoir contains sufficient liquid to carry out any calibrations required. If necessary top up the reservoir with the same liquid that is already being used. Do not mix various types or brands of liquid in the dead-weight tester.

If the oil in the system becomes dirty, use the spindle pump to flush through the clean oil with a drain screwed in the gauge stand. (An angle connection is suitable). The spindle pump should be turned fully clockwise before starting.

7. Maintenance, cleaning and recalibration



Wear safety goggles!

Protect eyes from flying particles and liquid splashes.



Wear protective gloves!

Protect hands from contact with aggressive media.



For information on returning the instrument see chapter 9.1 "Return".

EN

7.4 Recalibration

UKAS, DKD/DAkkS certificate - Certificates:

We recommend that the instrument is regularly recalibrated by the manufacturer, with time intervals of 5 years. The basic settings will be corrected if necessary.

7.4.1 Factory overhaul and re-certification of dead-weight testers maintenance of accuracy.

The accuracy of a dead-weight tester depends primarily on the effective area of the piston unit and on the masses applied to the piston. The effective area of the piston unit can be affected by wear of the unit. This is generally caused by contamination of the oil in the dead-weight tester by foreign matter from instruments being calibrated, by water, or by chemicals from instruments, or by rust or corrosion caused by contaminants.

Masses are made of austenitic stainless steel which are entirely stable. They should be periodically cleaned using a non abrasive method to remove any foreign matter.

7.4.2 Need for overhaul and re-certification

We recommend that the dead-weight tester be returned to us for overhaul and re-certification at any time if when used in accordance with instructions:

1. The piston does not spin freely.
2. The rate of fall of the piston is appreciably greater than when new and makes use of the dead-weight tester difficult.
3. The masses are damaged.
4. The dead-weight tester cannot be made to operate satisfactorily due to wear or damage to pump piping or valves which cannot be rectified by the user.

7. Maintenance, cleaning and recalibration

EN

This dead-weight tester can be used for calibration of instruments with an expected accuracy of 1, 0.5 or 0.25 %. Such dead-weight testers need not be sent back frequently for overhaul and re-certification and provided they are working well can be trusted for many years. Under these circumstances, an interval of five years might be appropriate between overhauls.

When high accuracy of the dead-weight tester is required, it should be returned for overhaul and re-certification more frequently. The actual period will depend on how the dead-weight tester is used. A dead-weight tester kept in a laboratory and carefully used might need to be returned every two to five years. A dead-weight tester carried from site to site and used for calibrating high accuracy gauges or sensors from industrial process plant or for measuring pressures directly might well need to be returned at intervals of less than specified above.

The actual period between overhaul and re-certification should be fixed by the user in the light of the above comments taking into account the requirements of any inspection authority, which might be involved.

7.4.3 Identification of masses

All mass sets supplied with a dead-weight tester have allocated, and are marked, with a mass set number. Additionally, if users wish to ensure that only specific masses are used with an individual dead-weight tester or piston and cylinder unit, then the serial number of the dead-weight tester, and/or piston-cylinder system may also be marked on the main masses. Regrettably due to size of certain masses, not all the above information may be marked.

7.4.4 Overhaul and re-certification

To provide the best possible service, the dead-weight tester should be returned as complete units comprising the base, the piston and cylinder unit, and all the masses. The base can also be serviced itself. The piston-cylinder system with masses has to be sent back for overhaul. In such instances, certification issued after overhaul can only refer to the piston and cylinder and mass set numbers and not to the base to which they were originally fitted.

Dead-weight tester bases will be stripped, all pipework cleaned, all seals replaced, worn components replaced where desirable, and all reassembled and tested.

The masses will all be checked and brought to within original limits if possible. If one or two masses are missing or beyond economical repair they will be replaced. If more are missing/beyond economical repair customer instructions will be sought.

7. Maintenance, cleaning and recalibration / 8. Faults

The piston unit will be checked for accuracy and sensitivity. If it is not satisfactory for any reason a quotation will be submitted for a replacement unit.

A new certificate of accuracy will be issued for each overhauled dead-weight tester. Unless otherwise instructed on order when there has been a slight change in area of the piston unit the certificate will reflect this; the accuracy will not be affected by more than 0.03 %. For example the certificate of accuracy of an overhauled dead-weight tester might show that the error does not exceed 0.05 % when the original certificate shows that the error did not exceed 0.02 %.

We can issue an UKAS or DKD/DAkKS certificate of calibration for an overhauled system. Details will be supplied on request.

EN

8. Faults

Faults	Causes	Measures
Equipment does not provide any output pressure.	No liquid in dead-weight tester.	Check that dead-weight tester is filled with liquid. Fill the equipment with fluid as necessary. See chapter 6.5.1 "Filling the equipment with liquid".
	Valve B is open.	Close valve B and try again.
	Component being tested has a large volume.	Pre-fill component with liquid before test.
	Missing or damaged liquid seals shown by signs of unexplained liquid leaks.	Examine seals on equipment to ensure they are fitted correctly and are undamaged. Replace as necessary.
	Valve B handwheel disconnected from spindle.	Examine valve B. Tighten up nut securing handwheel to spindle as necessary.
	Valve B assembly or valve seat damaged.	Examine condition of valve B and valve seat. Replace valve assembly or return dead-weight tester to DH-Budenberg/WIKA for overhaul as necessary.
	If unable to locate a cause.	Return dead-weight tester to DH-Budenberg/WIKA for investigation.

14062232.04 03/2015 EN/DE

8. Faults

EN

Faults	Causes	Measures
Equipment provides pressure but pressure decays when valves A and B are operated.	Incorrect operating procedure being used.	Ensure that correct operating procedure is being followed (see chapter 6.6).
	If unable to locate a cause.	Return dead-weight tester to DH-Budenberg/WIKA for investigation.
Equipment provides pressure but pressure decays to zero	Incorrect operating procedure being used.	Ensure that correct operating procedure is being followed (see chapter 6.6).
	Missing or damaged liquid seals shown by signs of unexplained liquid leaks.	Examine seals on equipment to ensure they are fitted correctly and are undamaged. Replace as necessary.
	Valve A or Valve B valve assembly or valve seat damaged.	Examine condition of valves A and B and valve seat. Replace valve assembly or return dead-weight tester to DH-Budenberg/WIKA for overhaul as necessary.
	If unable to locate a cause.	Return dead-weight tester to DH-Budenberg/WIKA for investigation.
Equipment provides pressure but pressure decays to lower value then remains steady.	Insufficient liquid in dead-weight tester.	Check liquid level in reservoir. Fill reservoir with correct liquid as necessary (see chapter 6.5.1).
	Air in the system	Prefill component under test with appropriate liquid. If necessary re-fill dead-weight tester with appropriate liquid.
	If unable to locate a cause.	Return dead-weight tester to DH-Budenberg/WIKA for investigation.
	Internal damage	Return dead-weight tester to DH-Budenberg/WIKA for investigation.
	Incorrect operating procedure being used.	Ensure that correct operating procedure is being followed (see chapter 6.6).
	If unable to locate a cause.	Return dead-weight tester to DH-Budenberg/WIKA for investigation.

1406232.04 03/2015 EN/DE

8. Faults / 9. Return and disposal

EN

Faults	Causes	Measures
Dead-weight tester screw press becomes very stiff to operate when dead-weight tester is being used in range below 140 bar (2,000 lb/in ²)	Internal damage	Return dead-weight tester to DH-Budenberg/WIKA for investigation.
Dead-weight tester screw press becomes very stiff to operate when dead-weight tester is being used in range above 140 bar (2,000 lb/in ²)	Incorrect operating procedure being used.	Ensure that correct operating procedure is being followed (see chapter 6.6).
	If unable to locate a cause.	Return dead-weight tester to DH-Budenberg/WIKA for investigation.



CAUTION!

If faults cannot be eliminated by means of the measures listed above, the dead-weight tester must be shut down immediately, and it must be ensured that pressure is no longer present, and it must be prevented from being inadvertently put back into service.

In this case, contact the manufacturer.

If a return is needed, please follow the instructions given in chapter 9.1 "Return".

9. Return and disposal



WARNING!

Residual media at the dead-weight tester can result in a risk to persons, the environment and equipment. Take sufficient precautionary measures.

9.1 Return



WARNING!

Strictly observe the following when shipping the instrument:

All instruments delivered to DH-Budenberg/WIKA must be free from any kind of hazardous substances (acids, bases, solutions etc.).

9. Return and disposal

When returning the instrument, use the original packaging or a suitable transport package.

EN To avoid damage:

1. Place the piston-cylinder system into the designed transport box (see chapter 6.4 „Assembly of piston unit“).
2. Wrap the instrument in an antistatic plastic film.
3. Place the instrument, along with the shock-absorbent material, in the packaging. Place shock-absorbent material evenly on all sides of the transport packaging.
4. If possible, place a bag, containing a desiccant, inside the packaging.
5. Label the shipment as transport of a highly sensitive measuring instrument.



Information on returns can be found under the heading “Service” on our local website.

9.2 Disposal

Incorrect disposal can put the environment at risk.

Dispose of instrument components and packaging materials in an environmentally compatible way and in accordance with the country-specific waste disposal regulations.



This marking on the instruments indicates that they must not be disposed of in domestic waste. The disposal is carried out by return to the manufacturer or by the corresponding municipal authorities (see EU directive 2002/96/EC).

10. Accessories

10. Accessories

Designation/Variant	Order no.
Set of trim-masses (1 mg up to 50 g), class F1	7093874
Set of trim-masses (1 mg up to 50 g), class M1	14025325
Set of 2 carrying cases for bar mass set	14031236
Set of 2 carrying cases for psi mass set	14068416
Carrying case for CPB3800 Instrument base	14031237
Adapter set "BSP" for test item connection G ½ B male on G ⅛, G ¼, G ⅜ and G ½ female	14031238
Adapter set "NPT" for test item connection G ½ B male on ⅛ NPT, ¼ NPT, ⅜ NPT and ½ NPT female	14031239
Adapter set "metric" for test item connection G ½ B male on M12 x 1.5 and M20 x 1.5 female	14031242
Test item connection, G ¾ female to G ½ female, rotating	14031251
90° angle connection, for test items with back mounting connection	1564838
Separator (to separate two liquid media by a diaphragm), max. 700 bar	14031253
Separator (to separate two liquid media by a diaphragm), max. 1,200 bar	14031254
Sealing set for CPB3800 instrument base	14031255
Operating fluid for CPB series up to a max. 4,000 bar, 0.5 litre	2099954
Tool set consisting of open-ended spanner, BSP adapter, replacement seals, pointer remover and pointer punch	14031263

EN



EG-Konformitätserklärung

EC Declaration of Conformity

Dokument Nr.:

14048028.01

Document No.:

14048028.01

Wir erklären in alleiniger Verantwortung, dass die mit CE gekennzeichneten Produkte

We declare under our sole responsibility that the CE marked products

Typ:

CPB3800

Model:

CPB3800

Beschreibung:

Kolbenmanometer in Kompaktausführung

Description:

Pressure balance in compact design

gemäß gültigem Datenblatt:

CT 31.06

according to the valid data sheet:

CT 31.06

die grundlegenden Schutzanforderungen der folgenden Richtlinie(n) erfüllen:

are in conformity with the essential protection requirements of the directive(s)

97/23/EG (DGRL)⁽¹⁾

97/23/EC (PED)⁽¹⁾

(1) PS > 1000 bar; Modul A, druckhaltendes Ausrüstungsteil

(1) PS > 1000 bar; Module A, pressure accessory

Unterszeichnet für und im Namen von / Signed for and on behalf of

DH-Budenberg Ltd.

Manchester, 2012-07-03

John White, Managing Director

Unterschrift, autorisiert durch das Unternehmen / Signature authorized by the company

DH-Budenberg Ltd.
2 Gilchrist Road, Northbank Industrial Estate
Irlam, Manchester M44 5 AY
United Kingdom

Tel: +44 (0)844 4060086
Fax: +44 (0)844 4060087
www.dh-budenberg Ltd.com

Inhalt

1.	Allgemeines	48
2.	Sicherheit	50
2.1	Bestimmungsgemäße Verwendung	50
2.2	Personalqualifikation	51
2.3	Persönliche Schutzausrüstung	51
2.4	Besondere Gefahren	52
2.5	Beschilderung, Sicherheitskennzeichnungen	54
3.	Technische Daten	55
4.	Aufbau und Funktion	64
4.1	Beschreibung	64
4.2	Lieferumfang	64
4.3	Basement	64
4.4	Kolbeneinheit	67
4.5	Funktionen	67
5.	Transport, Verpackung und Lagerung	68
6.	Inbetriebnahme, Betrieb	69
6.1	Auspacken der Druckwaage	69
6.2	Umgebungsbedingungen	69
6.3	Aufstellen des Basements	69
6.4	Zusammenbau der Kolbeneinheit	70
6.5	Zusammenbau der Druckwaage	71
6.6	Vorgehensweise	73
6.7	Abschlussarbeiten	76
6.8	Druckberechnungssoftware Standardgenauigkeit	76
6.9	Kolbentemperaturmessung	76
6.10	Reinigung der Messgeräte	77
7.	Wartung, Reinigung und Rekalibrierung	78
7.1	Periodische Wartung	78
7.2	Instandhaltung	79
7.3	Reinigung	83
7.4	Rekalibrierung	83
8.	Störungen	86
9.	Rücksendung und Entsorgung	88
10.	Zubehör	90
	Anlage: EG-Konformitätserklärung Typ CPB3800	91

Konformitätserklärungen finden Sie online unter www.wika.de.

1. Allgemeines

1. Allgemeines

- Die in der Betriebsanleitung beschriebene Druckwaage in Kompaktausführung Typ CPB3800 wird nach dem aktuellen Stand der Technik konstruiert und gefertigt. Alle Komponenten unterliegen während der Fertigung strengen Qualitäts- und Umweltkriterien. Unsere Managementsysteme sind nach ISO 9001 und ISO 14001 zertifiziert.
- Diese Betriebsanleitung gibt wichtige Hinweise zum Umgang mit dem Gerät. Voraussetzung für sicheres Arbeiten ist die Einhaltung aller angegebenen Sicherheitshinweise und Handlungsanweisungen.
- Die für den Einsatzbereich des Gerätes geltenden örtlichen Unfallverhütungsvorschriften und allgemeinen Sicherheitsbestimmungen einhalten.
- Die Betriebsanleitung ist Produktbestandteil und muss in unmittelbarer Nähe des Gerätes für das Fachpersonal jederzeit zugänglich aufbewahrt werden. Betriebsanleitung an nachfolgende Benutzer oder Besitzer des Gerätes weitergeben.
- Das Fachpersonal muss die Betriebsanleitung vor Beginn aller Arbeiten sorgfältig durchgelesen und verstanden haben.
- Es gelten die allgemeinen Geschäftsbedingungen in den Verkaufsunterlagen.
- Technische Änderungen vorbehalten.
- Werkskalibrierungen / DKD/DAkkS-Kalibrierungen erfolgen nach internationalen Normen.

DE

1. Allgemeines

■ Weitere Informationen:

DH-Budenberg

A division of WIKA Instruments Ltd.

- Internet-Adresse: www.wika.de / www.wika.com
- zugehöriges Datenblatt: CT 31.06
- Anwendungsberater: Tel.: +44 844 4060086
Fax: +44 844 4060087
sales@dh-budenberg.co.uk

DE

WIKA Alexander Wiegand SE & Co. KG

- Internet-Adresse: www.wika.de / www.wika.com
- zugehöriges Datenblatt: CT 31.06
- Anwendungsberater: Tel.: +49 9372/132-0
Fax: +49 9372/132-406
info@wika.com

■ Symbolerklärung



WARNUNG!

... weist auf eine möglicherweise gefährliche Situation hin, die zum Tod oder zu schweren Verletzungen führen kann, wenn sie nicht gemieden wird.



VORSICHT!

... weist auf eine möglicherweise gefährliche Situation hin, die zu geringfügigen oder leichten Verletzungen bzw. Sach- und Umweltschäden führen kann, wenn sie nicht gemieden wird.



Information

... hebt nützliche Tipps und Empfehlungen sowie Informationen für einen effizienten und störungsfreien Betrieb hervor.

2. Sicherheit



WARNUNG!

Vor Montage, Inbetriebnahme und Betrieb sicherstellen, dass die richtige Druckwaage hinsichtlich Messbereich, Ausführung und spezifischen Messbedingungen ausgewählt wurde.

Bei Nichtbeachten können schwere Körperverletzungen und/oder Sachschäden auftreten.



Weitere wichtige Sicherheitshinweise befinden sich in den einzelnen Kapiteln dieser Betriebsanleitung.

2.1 Bestimmungsgemäße Verwendung

Kolbenmanometer (Druckwaagen) sind die genauesten am Markt verfügbaren Geräte zur Kalibrierung von elektronischen oder mechanischen Druckmessgeräten. Durch die Messung des Druckes als Quotient aus Kraft und Fläche ($p = F/A$) sind Kolbenmanometer (Druckwaagen) als Primärnormale zugelassen.

Das Herzstück des CPB3800 bildet dementsprechend ein sehr präzise gefertigtes Kolbenzylindersystem, das zur Erzeugung der einzelnen Prüfpunkte mit Massenaufgaben belastet wird. Die Massenaufgabe ist proportional zu dem angestrebten Druck und wird durch abgestufte Scheibengewichte erreicht. Ein maximaler Druck von 1.200 bar darf nicht überschritten werden.

Die Einstellung des Druckes erfolgt über eine integrierte, sehr fein regulierbare Zweibereichs-Präzisionsspindelpumpe. Sobald sich dann das Messsystem im Schwebezustand befindet, herrscht ein Kräftegleichgewicht zwischen Druck und Massenaufgaben. Der Prüfling kann somit kalibriert oder justiert werden.

Aufgrund der autarken Arbeitsweise (integrierte Druckerzeugung sowie dem rein mechanischen Messprinzip), ist der Typ CPB3800 ideal für den Einsatz vor Ort, in der Wartung und im Service geeignet.

Das Gerät ist ausschließlich für den hier beschriebenen bestimmungsgemäßen Verwendungszweck konzipiert und konstruiert und darf nur dementsprechend verwendet werden.

Die technischen Spezifikationen in dieser Betriebsanleitung sind einzuhalten. Eine unsachgemäße Handhabung oder ein Betreiben des Gerätes außerhalb der technischen Spezifikationen macht die sofortige Stilllegung und Überprüfung durch einen autorisierten WIKA-Servicemitarbeiter erforderlich.

2. Sicherheit

Mechanische Präzisionsmessgeräte mit erforderlicher Sorgfalt behandeln (vor Nässe, Stößen, starken Magnetfeldern, statischer Elektrizität und extremen Temperaturen schützen, keine Gegenstände in das Gerät bzw. Öffnungen einführen).

Wird das Gerät von einer kalten in eine warme Umgebung transportiert, so kann durch Kondensatbildung eine Störung der Gerätefunktion eintreten. Vor einer erneuten Inbetriebnahme die Angleichung der Gerätetemperatur an die Raumtemperatur abwarten.

DE

Ansprüche jeglicher Art aufgrund von nicht bestimmungsgemäßer Verwendung sind ausgeschlossen.

2.2 Personalqualifikation



WARNUNG!

Verletzungsgefahr bei unzureichender Qualifikation!

Unsachgemäßer Umgang kann zu erheblichen Personen- und Sachschäden führen.

- Die in dieser Betriebsanleitung beschriebenen Tätigkeiten nur durch Fachpersonal nachfolgend beschriebener Qualifikation durchführen lassen.
- Unqualifiziertes Personal von den Gefahrenbereichen fernhalten.

Fachpersonal

Das Fachpersonal ist aufgrund seiner fachlichen Ausbildung, seiner Kenntnisse der Mess- und Regelungstechnik und seiner Erfahrungen sowie Kenntnis der landesspezifischen Vorschriften, geltenden Normen und Richtlinien in der Lage, die beschriebenen Arbeiten auszuführen und mögliche Gefahren selbstständig zu erkennen.

Spezielle Einsatzbedingungen verlangen weiteres entsprechendes Wissen, z. B. über aggressive Medien.

DH-Budenberg/WIKA bieten entsprechende Schulungen für den korrekten Einsatz unserer Produkte an. Für weitere Details kontaktieren Sie bitte unser Büro vor Ort.

2.3 Persönliche Schutzausrüstung

Die persönliche Schutzausrüstung dient dazu, das Fachpersonal gegen Gefahren zu schützen, die dessen Sicherheit oder Gesundheit bei der Arbeit beeinträchtigen könnten. Beim Ausführen der verschiedenen Arbeiten an und mit dem Gerät muss das Fachpersonal persönliche Schutzausrüstung tragen.

2. Sicherheit

Im Arbeitsbereich angebrachte Hinweise zur persönlichen Schutzausrüstung befolgen!

Die erforderliche persönliche Schutzausrüstung muss vom Betreiber zur Verfügung gestellt werden.

DE



Schutzbrille tragen!

Schutz der Augen vor umherfliegenden Teilen und Flüssigkeitsspritzern.



Schutzhandschuhe tragen!

Schutz der Hände vor Berührung mit aggressiven Medien.

2.4 Besondere Gefahren



WARNUNG!

Für ein sicheres Arbeiten am Gerät muss der Betreiber sicherstellen,

- dass eine entsprechende Erste-Hilfe-Ausrüstung vorhanden ist und bei Bedarf jederzeit Hilfe zur Stelle ist.
- dass das Bedienpersonal regelmäßig in allen zutreffenden Fragen von Arbeitssicherheit, Erste-Hilfe und Umweltschutz unterwiesen wird, sowie die Betriebsanleitung und insbesondere die darin enthaltenen Sicherheitshinweise kennt.



WARNUNG!

Messtoffreste an der Druckwaage können zur Gefährdung von Personen, Umwelt und Einrichtung führen.
Ausreichende Vorsichtsmaßnahmen ergreifen.

2.4.1 Umgang mit Mineralölen

DH-Budenberg/WIKA liefert mineralisches Hydrauliköl in Behältern zu 500 ml, beschriftet mit „ISO VG 22“ zur Verwendung in Druckwaagen mit bis zu 4.000 bar. Es ist nicht gefährlicher als andere Schmieröle.

2. Sicherheit



Es ist ganz normal, dass man in der Art und Weise, in der dieses Produkt verwendet wird, häufig und/oder längere Zeit damit in Kontakt kommt; bei einigen Personen kann dies Hautreizungen hervorrufen (Keratosis oder Dermatitis). Die Verwendung von Barrierecremes und/oder Schutzhandschuhe kann diese Gefahr größtenteils ausschließen.

DE

Beschreibung

Flammpunkt (geschlossen)	höher als 120 °C
Lagerung	nicht über 30 °C
LD50-Wert, oral	15 g pro Kilogramm Körpergewicht
Grenzwert	5 mg/m ³
Feuerlöschende Mittel	CO ₂ /Trockenlöschmittel oder Wasserdampf
Bei Verschütten	mit Binde- oder Absorptionsmittel aufsaugen
Entsorgung	an geeigneten Plätzen verbrennen oder entsorgen

Behandlung von Notfällen

Verschlucken	Nicht zum Erbrechen bringen. 250 ml Milch oder Olivenöl verabreichen. Die größte Gefahr nach dem Verschlucken ist, dass die Flüssigkeit in die Lunge gelangt.
Aspiration in die Lunge	Sofort ins Krankenhaus
Einatmen	Für Frischluft sorgen, falls die Übelkeit anhält, einen Arzt aufsuchen.
Augenkontakt	Mit reichlich Wasser mindestens 10 Minuten ausspülen. Tritt eine Augenreizung auf und hält diese Reizung an, Augenarzt aufsuchen.
Hautkontakt	Im Fall eines Hautausschlags oder anderen Auffälligkeiten nach einem längeren oder wiederholten Kontakt sollte umgehend ein Arzt aufgesucht werden.

2.4.2 Andere Flüssigkeiten

Für einige besondere Anwendungen, liefern wir speziell hergestellte Flüssigkeiten. Kopien der Herstellerdaten werden den Benutzern auf Anfrage zugesandt.

2. Sicherheit

2.4.3 Anheben von Massen



WARNUNG!

Vorsicht beim Heben der Massen auf die Druckwaage. Jede Masse muss separat gehoben werden. Versuchen Sie nie, den gesamten Stapel der Massen auf oder von der Druckwaage zu heben.

DE

2.5 Beschilderung, Sicherheitskennzeichnungen

Typenschild

				Symbolerklärung siehe unten
Kolbenmanometer / Pressure Balance CPB3800				
SERIAL No.	XXXXXXX	←		Serien-Nr.
Max. PRESSURE	1200 bar	←		Druckbereich
MANUFACTURED	03/2012	←		Herstellungsdatum
DH-Budenberg 10 Huntsman Drive, Irlam, Manchester, M44 5AY, U.K. www.wika.com				

Symbolerklärung



Vor Montage und Inbetriebnahme des Gerätes unbedingt die Betriebsanleitung lesen!



CE, Communauté Européenne

Geräte mit dieser Kennzeichnung stimmen überein mit den zutreffenden europäischen Richtlinien.

3. Technische Daten

3. Technische Daten

Kolbenzylindersysteme (Standard)

Messbereich ¹⁾	1 ... 120 bar	2,5 ... 300 bar	5 ... 700 bar	10 ... 1.200 bar
Erforderliche Massen	41 kg	50 kg	58 kg	50 kg
Kleinster Step ²⁾ (Standardmassensatz)	1 bar	2,5 bar	5 bar	10 bar
Nominale Kolbenquerschnittsfläche	1/16 in ²	1/40 in ²	1/80 in ²	1/160 in ²
Messbereich ¹⁾	10 ... 1.600 lb/in ²	25 ... 4.000 lb/in ²	50 ... 10.000 lb/in ²	100 ... 16.000 lb/in ²
Erforderliche Massen	47 kg	47 kg	58 kg	47 kg
Kleinster Step ²⁾ (Standardmassensatz)	10 lb/in ²	25 lb/in ²	50 lb/in ²	100 lb/in ²
Nominale Kolbenquerschnittsfläche	1/16 in ²	1/40 in ²	1/80 in ²	1/160 in ²

Genauigkeiten	
Standard ^{3) 4)}	0,05 % vom Messwert
Option ^{3) 4)}	0,025 % vom Messwert

Druckübertragungsmedium Hydraulikflüssigkeit auf Mineralölbasis VG22 (0,5 l im Lieferumfang enthalten)

Werkstoff	
Kolben	Wolframcarbid
Zylinder	Wolframcarbid
Massensatz	CrNi-Stahl, nicht magnetisch

Gewicht				
Kolbenzylindersystem	2,4 kg			
BAR-Massensatz inkl. Massenträger	41,5 kg	50,5 kg	58,5 kg	50,5 kg
lb/in ² -Massensatz inkl. Massenträger	47,5 kg	47,5 kg	58,5 kg	47,5 kg
Aufbewahrungskoffer für Massensatz (optional, 2 Stück erforderlich)	5,8 kg			

Abmessungen	
Aufbewahrungskoffer für Massensatz (optional)	400 x 310 x 310 mm (B x T x H) und 215 x 310 x 310 mm (B x T x H)

- Theoretischer Startwert; entspricht dem durch den Kolben bzw. Kolben- und Ausgleichsgewicht (aufgrund seines Eigengewichtes) erzeugten Druckwert. Zur Optimierung der Laufeigenschaften sollten weitere Massen aufgelegt werden.
- Der kleinste Druckänderungswert, der aufgrund des Standardmassensatzes erreicht wird. Zur Reduzierung ist optional ein Feinmassensatz erhältlich.
- Die Genauigkeit wird ab 10 % des Messbereiches auf den Messwert bezogen. Im unteren Bereich gilt ein Festfehler, bezogen auf 10 % des Bereiches.
- Messunsicherheit bei Referenzbedingungen (Umgebungstemperatur 20 °C, Luftdruck 1.013 mbar, relative Luftfeuchte 40 %). Bei Einsatz ohne CalibratorUnit müssen ggf. Korrekturen angebracht werden.

3. Technische Daten

Basement

Anschlüsse

Anschluss für Kolbenzylindersystem Außengewinde G ¾ B

Prüflingsanschluss Innengewinde G ½, freilaufende Überwurfmutter

Werkstoff

Messstoffberührte Bauteile Austenitischer CrNi-Stahl, hochfestes Messing, Nitrilkautschuk

Druckübertragungsmedium Hydraulikflüssigkeit auf Mineralölbasis VG22 (0,5 l im Lieferumfang enthalten) ⁵⁾

Vorratsbehälter 170 cm³

Gewicht

Basement 13,5 kg

Aufbewahrungskoffer für Basement (optional) 8,5 kg

Zulässige Umgebungsbedingungen

Betriebstemperatur 18 ... 28 °C

Abmessungen

Basement 401 x 397 x 155 mm (B x T x H), Details siehe technische Zeichnung

5) Andere Druckübertragungsmedien auf Anfrage.

CE-Konformität und Zertifikate

CE-Konformität

Druckgeräterichtlinie 97/23/EG (Modul A)

Zertifikat

Kalibrierung Kalibrierzertifikat
Option: UKAS-Kalibrierzertifikat (Druckkalibrierung mit Massensatz) für Standardtypen CPB3800
Option: UKAS-Kalibrierzertifikat (Querschnitt- und Masse-Kalibrierung) nur für CPS/CPM5800

Zulassungen und Zertifikate siehe Internetseite

Weitere technische Daten siehe WIKA-Datenblatt CT 31.06 und Bestellunterlagen.

3. Technische Daten

Massentabellen

Die folgenden Tabellen zeigen für die jeweiligen Messbereiche die Anzahl der Massenteile innerhalb eines Massensatzes mit ihren resultierenden Nenndrücken.

Sollten Sie das Gerät nicht unter Referenzbedingungen einsetzen (Umgebungstemperatur 20 °C, Luftdruck 1.013 mbar, relative Luftfeuchte 40 %), müssen entsprechende Korrekturen angebracht werden.

DE

Die Scheibengewichte werden standardmäßig auf die Norm-Fallbeschleunigung von 9,80665 m/s² gefertigt. Als Option können sie aber auch auf ihren speziellen Einsatzort auf die örtliche Fallbeschleunigung abgestimmt werden.

Standardmassensätze

Messbereich [bar]	1 ... 120		2,5 ... 300	
	Anzahl	Nenndruck je Stück [bar]	Anzahl	Nenndruck je Stück [bar]
Kolben und Ausgleichsgewicht	1	1	1	2,5
Kolben, Massenträger und Massenträger-Ausgleichsgewicht	1	20	1	50
Massen (auf Massenträger stapelbar)	3	20	3	50
Massen (auf Kolben stapelbar)	1	20	1	50
	1	10	1	25
	2	4	2	10
	1	2	1	5
	1	1	1	2,5

Messbereich [bar]	5 ... 700		10 ... 1.200	
	Anzahl	Nenndruck je Stück [bar]	Anzahl	Nenndruck je Stück [bar]
Kolben und Ausgleichsgewicht	1	5	1	10
Kolben, Massenträger und Massenträger-Ausgleichsgewicht	1	100	1	200
Massen (auf Massenträger stapelbar)	4	100	3	200
Massen (auf Kolben stapelbar)	1	100	1	200
	1	50	1	100
	2	20	2	40
	1	10	1	20
	1	5	1	10

14062232.04 03/2015 EN/DE

3. Technische Daten

DE

Messbereich [lb/in ²]	10 ... 1.600		25 ... 4.000	
	Anzahl	Nennndruck je Stück [lb/in ²]	Anzahl	Nennndruck je Stück [lb/in ²]
Kolben	1	10	1	25
Massenträger und Massenträger- Ausgleichsgewicht	1	190	1	475
Massen (auf Massenträger stapelbar)	5	200	5	500
Massen (auf Kolben stapelbar)	1	200	1	500
	1	100	1	250
	2	40	2	100
	1	20	1	50
	1	10	1	25

Messbereich [lb/in ²]	50 ... 10.000		100 ... 16.000	
	Anzahl	Nennndruck je Stück [lb/in ²]	Anzahl	Nennndruck je Stück [lb/in ²]
Kolben	1	50	1	100
Massenträger und Massenträger- Ausgleichsgewicht	1	950	1	1.900
Massen (auf Massenträger stapelbar)	7	1.000	5	2.000
Massen (auf Kolben stapelbar)	1	1.000	1	2.000
	1	500	1	1.000
	2	200	2	400
	1	100	1	200
	1	50	1	100

3. Technische Daten

Transportmaße Kompletgerät

Das Kompletgerät in Standardausführung und Standardlieferumfang besteht aus drei Packstücken auf einer Palette.

Die Abmessungen betragen 1.200 x 800 x 500 mm.

Das Gesamtgewicht ist abhängig vom Messbereich.

DE

Standardeinheiten CPB3800

Ausführung in bar	Gewicht in kg		Ausführung in lb/in ²	Gewicht in kg	
	netto	brutto		netto	brutto
1 ... 120 bar	71	89	10 ... 1.600 lb/in ²	68	86
2,5 ... 300 bar	71	89	25 ... 4.000 lb/in ²	68	86
5 ... 700 bar	71	89	50 ... 10.000 lb/in ²	68	86
10 ... 1.200 bar	71	89	100 ... 16.000 lb/in ²	68	86

Optionale CPS/CPM5800 Einheiten mit CPB3800 Basement

Ausführung in bar	Gewicht in kg		Ausführung in psi	Gewicht in kg	
	netto	brutto		netto	brutto
Einzelkolben-Messbereiche			Einzelkolben-Messbereiche		
1 ... 120 bar	77	95,5	10 ... 1.600 psi	73	91,5
2 ... 300 bar	77	95,5	30 ... 4.000 psi	72,5	91
Doppelkolben-Messbereiche			Doppelkolben-Messbereiche		
1 ... 60 bar / 10 ... 700 bar	85,5	104	10 ... 800 psi / 100 ... 10.000 psi	84,5	103
1 ... 60 bar / 20 ... 1.200 bar	77,5	96	10 ... 800 psi / 200 ... 16.000 psi	73	91,5
1 ... 60 bar / 20 ... 1.400 bar	85,5	104	10 ... 800 psi / 200 ... 20.000 psi	84,5	103

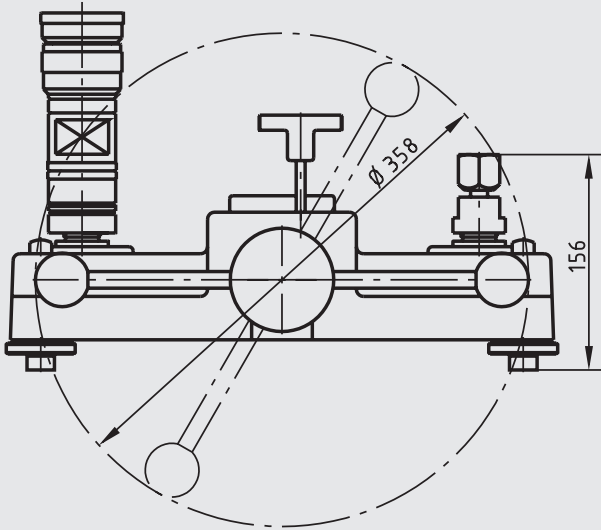
1406232.04 03/2015 EN/DE

3. Technische Daten

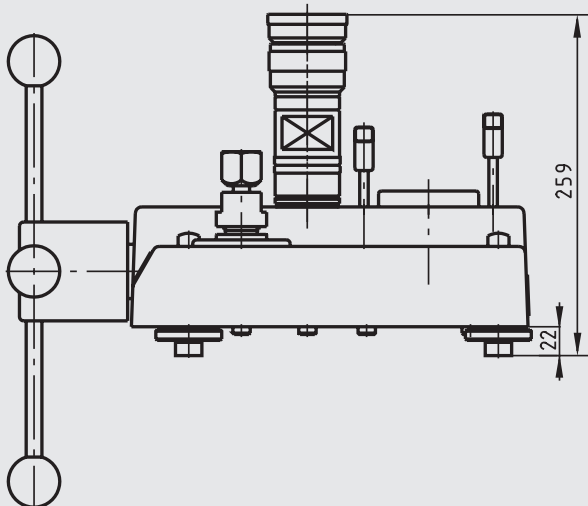
Abmessungen in mm

(ohne Scheibengewichte)

Ansicht von vorne



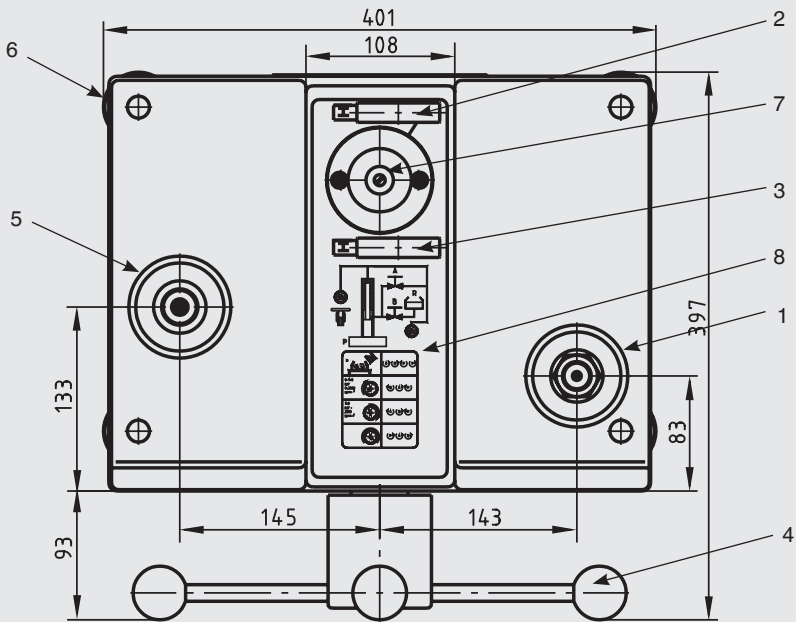
Ansicht von der Seite



DE

3. Technische Daten

Ansicht von oben



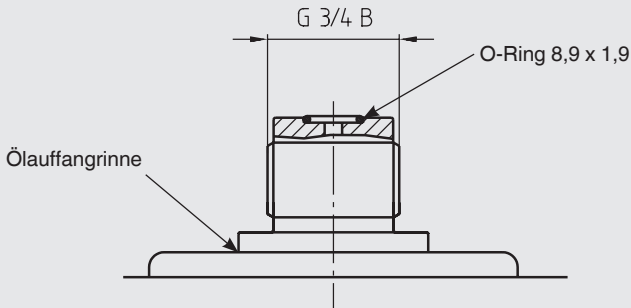
DE

- (1) Prüflingsanschluss
- (2) Hochdruckabsperventil
- (3) Niederdruckabsperventil
- (4) Zweibereichsspindelpumpe mit Drehkreuz
- (5) Kolbenzylindersystem
- (6) Drehbare FüÙe
- (7) Vorratsbehälter mit Verschlusschraube
- (8) Bedienschema Druckerzeugung

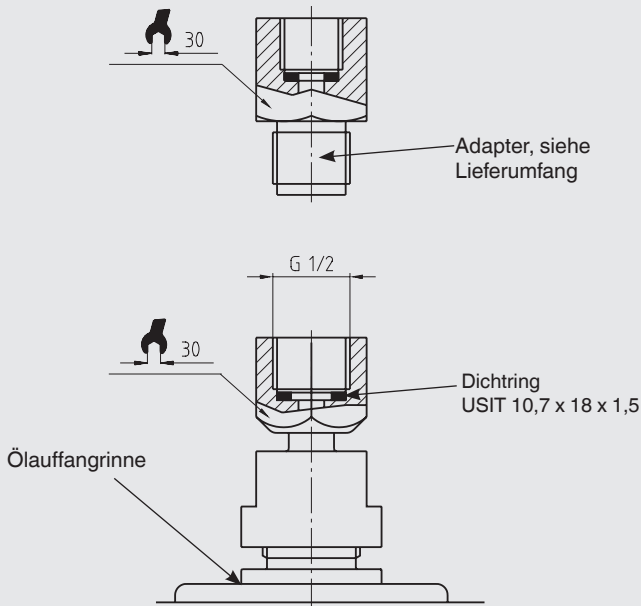
3. Technische Daten

DE

Standardanschluss Kolbenzylindersystem



Prüfanschluss



Bei Verwendung von Gewindeadaptern ist zunächst der Gewindeadapter druckdicht mit dem Prüfling zu verbinden. Anschließend kann der Prüfling mit montiertem Adapter in den Prüfanschluss eingesetzt und orientiert werden.

1406232.04 03/2015 EN/DE

3. Technische Daten

Verwendete Flüssigkeiten

Mineralisches Hydrauliköl mit einer Viskosität von 20 ... 37 cSt bei 40 °C, Viskositätsgrad VG20 bis VG37 gemäß ISO 3448 (BS 4231) wird für das Basement der CPB3800 verwendet. Die meisten Kunden können sich vor Ort geeignetes Öl (siehe unten) beschaffen, das auch in Hydraulikanlagen verwendet wird. Wir können unseren Kunden jedoch auch einen 500-ml-Kanister Öl mit dem Viskositätsgrad VG22 liefern.

DE

Geeignete Öle für Druckwaagen

Folgende, im Handel erhältliche Öle sind für die Verwendung in Druckwaagen geeignet.

Viskositätsgrad nach ISO 3448	Viskositätsklasse nach SAE	Shell	Esso	Mobil
VG22	--	Tellus 22 Tellus R22	Nuto H22	DTE 22
VG32	10W	Tellus V32 DTE 24	Nuto H32	DTE Oil Light
VG37	--	Tellus 37 Tellus R37 Tellus T37 Tellus V37	--	--

Andere Flüssigkeiten

Die Druckwaage Typ CPB3800 ist für die Verwendung von mineralischen Ölen ausgelegt. Sollte ein Betreiber eine andere Flüssigkeit verwenden, hat er dafür zu sorgen, dass sich diese Flüssigkeit mit hochfestem Messing, CrNi-Stahl und Nitrilkautschuk verträgt, da dies die Materialien sind, mit der die Flüssigkeit in Kontakt kommt.



Flüssigkeiten, die ABS angreifen, mit Vorsicht verwenden. Kontinuierliches Eintauchen der Gehäuseabdeckung in solche Flüssigkeiten führt zu Beschädigungen. Verschüttete Flüssigkeit sofort abwischen!



Schutzbrille tragen!

Schutz der Augen vor umherfliegenden Teilen und Flüssigkeitsspritzern.



Schutzhandschuhe tragen!

Schutz der Hände vor Berührung mit aggressiven Medien.

4. Aufbau und Funktion

4.1 Beschreibung

Die Druckwaage in Kompaktausführung Typ CPB3800 bietet die optimalen Eigenschaften für eine Verwendung im Labor, sowie auch die notwendige Robustheit für industrielle Anforderungen. Es eignet sich für hochpräzise Druckmessungen.

Die Kolbeneinheit wird an den linken Druckblock des Basements geschraubt und der Prüfling wird mit dem rechten Druckblock verbunden.

4.2 Lieferumfang

- Basement
- Zweibereichsspindelpumpe zum Füllen, Druckaufbau und Druckfeineinstellung
- Kolbenaufnahme mit Außengewinde G $\frac{3}{4}$ B
- Prüflingsanschluss mit Innengewinde G $\frac{1}{2}$, freilaufende Überwurfmutter
- Adapterset für Prüflingsanschluss auswählbar aus drei verschiedenen Sets:
 - Adapterset „BSP“ G $\frac{1}{2}$ außen auf G $\frac{1}{8}$, G $\frac{1}{4}$, G $\frac{3}{8}$ und G $\frac{1}{2}$ innen
 - Adapterset „NPT“ G $\frac{1}{2}$ außen auf $\frac{1}{8}$ NPT, $\frac{1}{4}$ NPT, $\frac{3}{8}$ NPT und $\frac{1}{2}$ NPT innen
 - Adapterset „metrisch“ G $\frac{1}{2}$ außen auf M12 x 1,5 und M20 x 1,5 innen
- Kolbenzylindersystem
- Massensatz gefertigt auf Norm-Fallbeschleunigung (9,80665 m/s²)
- Mineralöl VG22 (0,5 Liter)
- Werkzeug- und Wartungsset bestehend aus:
 - 1 Sechskantschlüssel mit Schlüsselweite 3 mm
 - 2 x 30-mm-Gabelschlüssel
 - 1 Wasserwaage
 - 4 Ausrichtungsplatten
 - 1 Satz Dichtungsringe
 - 1 Winkelanschlussstück G $\frac{1}{2}$ ($\frac{1}{2}$ ” BSP)
 - 1 Zeigeraufschlagstempel
 - 1 Zeigerabheber
 - 1 Prüflingsanschlussstück
- Betriebsanleitung in deutscher und englischer Sprache
- Werkskalibrierschein

Lieferumfang mit dem Lieferschein abgleichen.

4.3 Basement

Das Basement der Serie CPB3800 besteht aus einer massiven Grundplatte aus Aluminium, die aus vier höhenverstellbaren Füßen, einer Spindelpumpe, einem Vorratsbehälter, Stellventilen und Verrohrung zu zwei CrNi-Stahl-Druckanschlussblöcken besteht.

4. Aufbau und Funktion

DE

Die Verrohrung und die oben genannten Baugruppen sind mit einer ABS-Abdeckung versehen, die leicht zu reinigen ist.

4.3.1 Spindelpumpe

Die Spindelpumpe ist an den Vorratsbehälter/Hochdruck-Zylinderblock geschraubt, der am Basement befestigt ist. Die nachfolgende Skizze zeigt einen Schnitt durch die Pumpe. Das über die Griffstücke (**D**) bedienbare Handrad (**C**) ist an der Gewindespindel (**E**) angebracht. Die Spindel (**E**) ist in einem Sinterlager gelagert (**F**).

Wird die Spindel gedreht, treibt sie einen nicht drehenden Druckkolben (**H** und **K**) vorwärts, die Schubkraft wird durch ein Nadel-Axialkugellager (**G**) aufgenommen. Der große Durchmesser des Kolbens (**H**) im Pumpenzylinder (**J**) dient zum Vorfüllen des Drucksystems und erzeugt einen Vordruck auf bis zu etwa 140 bar (2.000 lb/in²). Der kleine Durchmesser des Kolbens (**K**) im Hochdruck-Zylinderblock liefert die höheren Testdrücke von bis zu 1.200 bar (16.000 lb/in²).

4.3.2 Vorratsbehälter

Ein Flüssigkeitsbehälter ist oben auf dem Hochdruck-Zylinderblock angebracht. Zur Überwachung des Füllstands ist der Vorratsbehälter mit einem transparenten Deckel ausgestattet. Über eine mit einem Stopfen verschlossene Öffnung in der Mitte des Deckels kann der Behälter befüllt oder aufgefüllt werden (der Stopfen wird während des Betriebs der Druckwaage entfernt). Der Vorratsbehälter enthält genügend Flüssigkeit (ca. 150 cm³) um den normalen Betrieb der Druckwaage durchzuführen.

Verdrängungsvolumen des Niederdruckkolbens = 60 cm³

Verdrängungsvolumen des Hochdruckkolbens = 10 cm³

4.3.3 Stellventile

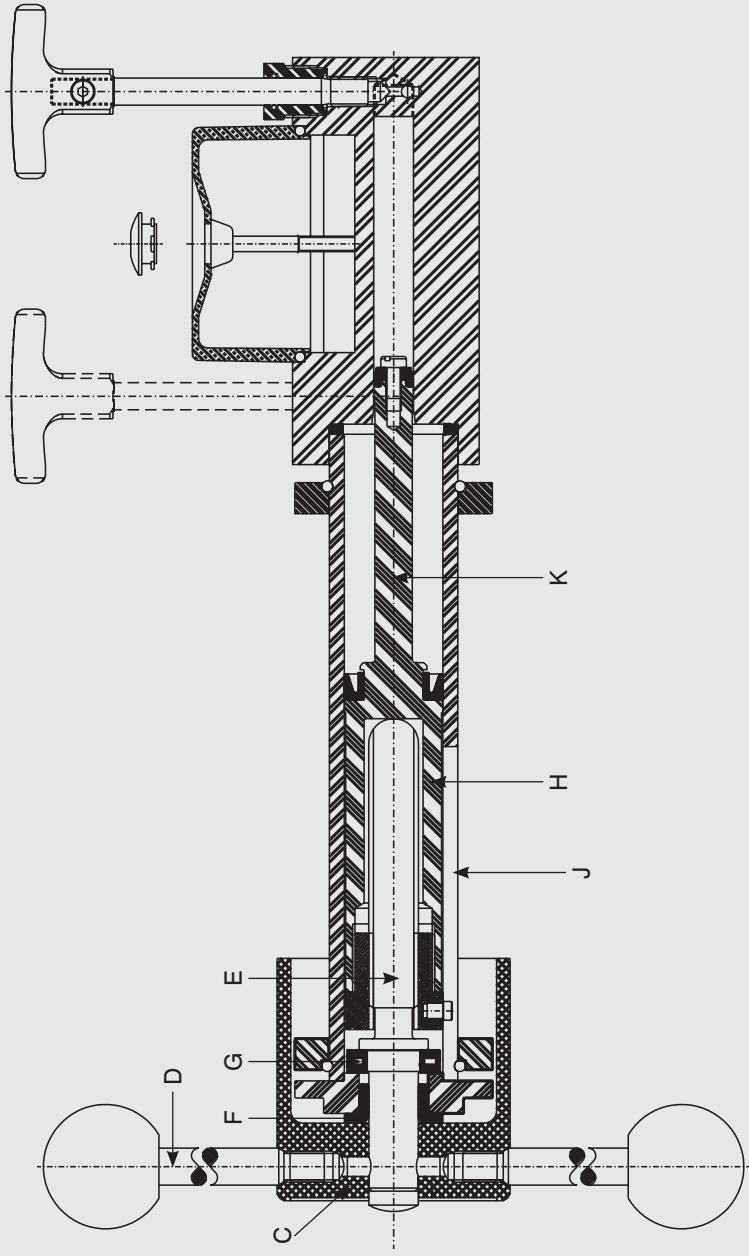
Oben auf dem Vorratsbehälter/Hochdruck-Zylinderblock sind zwei Stellventile angebracht. Die Mechanismen der Stellventile sind in den Vorratsbehälter/Hochdruck-Zylinderblock eingebaut und regeln den Durchfluss der Flüssigkeit durch die inneren Bohrungen im Vorratsbehälter/Hochdruck-Zylinderblock. Das hintere Ventil wird mit Ventil **A** bezeichnet und dient zur Regelung des Ausgangs des Spindelpumpenkolbens mit dem größeren Durchmesser. Das vordere Ventil wird mit Ventil **B** bezeichnet und dient zur Regelung des Durchflusses zu und vom Vorratsbehälter.

4.3.4 Anschlussblöcke

Die Versorgungsdruckleitungen von der Spindelpumpe sind mit zwei Druckanschlüssen am Basement verbunden. Die Gewinde der Druckanschlüsse ragen aus der Abdeckplatte des Basements hervor. An diese Gewindeanschlüsse können Kolbeneinheiten direkt angeschraubt werden; es ist auch möglich mittels Gewindeadaptern die verschiedenen Größen von Messgeräteanschlüssen daran anzuschließen. In der Abdeckung des Gerätes sind um die Gewindeanschlüsse der Anschlussblöcke Ölauffangwannen angebracht, um auslaufendes Öl während des Anschließens und Entfernens der Messgeräte vom Prüfanschluss aufzufangen.

Schnitt durch die Spindelpumpe

DE



4. Aufbau und Funktion

4.4 Kolbeneinheit

Die Kolbeneinheit des CPB3800 ist ein Einzel-Kolbenzylindersystem, welches den Messbereich bis 1.200 bar (16.000 lb/in²) abdeckt.

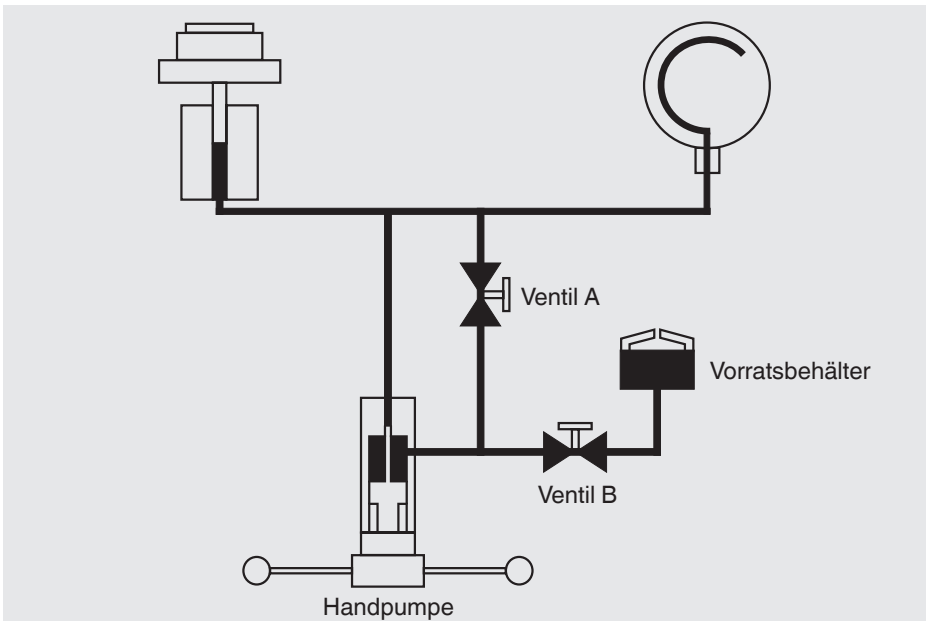
Zur Kalibrierung niedriger Drücke werden Massen direkt auf den Kolbenkopf gelegt. Ein farbiges Band zeigt an, wenn sich das Messsystem im Schwebезustand befindet. Bei höheren Drücken wird ein Massenträger auf den Kolbenkopf montiert und Scheibengewichte werden unten oder oben auf den Massenträger gestapelt. Eine Nut im Grundkörper des Kolbens zeigt an, wenn sich das Messsystem im Schwebезustand befindet.

DE

4.5 Funktionen

Die Bedienung der Druckwaage wird durch die beiden Ventile **A** und **B** auf dem Vorratsbehälter/Hochdruck-Zylinderblock geregelt. Wird das System vorgefüllt, werden die Ventile **A** und **B** geöffnet, um das System mit Öl aus dem Vorratsbehälter zu füllen. Um niedrige Prüfdrücke zu erzeugen wird Ventil **B** geschlossen, während das Ventil **A** offen bleibt und die Spindelpumpe betätigt wird.

Um höhere Drücke zu erzeugen, wird Ventil **A** geschlossen, um den Prüfkreis gegen den Niederdruckbereich der Spindelpumpe abzudichten; Ventil **B** wird geöffnet, damit die Flüssigkeit im Niederdruckbereich der Spindelpumpe in den Vorratsbehälter zurückfließen kann, sobald die Pumpe betätigt wird. Dies stellt sicher, dass die Pumpe betätigt werden kann, ohne dass große Kräfte auf das Handrad der Spindelpumpe gebracht werden müssen. Um den Prüfdruck zu entspannen, wird die Spindelpumpe zurückgedreht und das Ventil **A** geöffnet.



5. Transport, Verpackung und Lagerung

5.1 Transport

Die Druckwaage Typ CPB3800 auf eventuell vorhandene Transportschäden untersuchen. Offensichtliche Schäden unverzüglich mitteilen.

DE

5.2 Verpackung

Verpackung erst unmittelbar vor der Montage entfernen.

Die Verpackung aufbewahren, denn diese bietet bei einem Transport einen optimalen Schutz (z. B. wechselnder Einbauort, Reparatursendung oder Rekalibrierung).



Scheibengewichte werden im Karton geliefert und nicht in ihren jeweiligen Holzkoffern, falls bestellt.

Die Holzkoffer sind nicht zur Nutzung als Transportkisten geeignet.

5.3 Lagerung

Zulässige Bedingungen am Lagerort:

- Lagertemperatur: -10 ... +50 °C
- Feuchtigkeit: 35 ... 85 % relative Feuchte für Gerätebasement und Massensatz
35 ... 65 % relative Feuchte für Kolbenzylindersystem (keine Betauung)

Folgende Einflüsse vermeiden:

- Direktes Sonnenlicht oder Nähe zu heißen Gegenständen
- Mechanische Vibration, mechanischer Schock (hartes Aufstellen)
- Ruß, Dampf, Staub und korrosive Gase
- Explosionsgefährdete Umgebung, entzündliche Atmosphären
- Korrosiven Flüssigkeiten

Die Druckwaage Typ CPB3800 in der Originalverpackung an einem Ort lagern, der die oben gelisteten Bedingungen erfüllt. Wenn die Originalverpackung nicht vorhanden ist, dann das Gerät wie folgt verpacken und lagern:

1. Das Gerät in eine antistatische Plastikfolie einhüllen.
2. Das Gerät mit dem Dämmmaterial in der Verpackung platzieren.
3. Bei längerer Einlagerung (mehr als 30 Tage) einen Beutel mit Trocknungsmittel der Verpackung beilegen.

6. Inbetriebnahme, Betrieb

6.1 Auspacken der Druckwaage

Öffnen Sie die Verpackung der Druckwaage baldmöglichst nach der Lieferung und prüfen Sie, ob Sie alle in der Packliste (siehe Kapitel 4.2 „Lieferumfang“) angegebenen Teile erhalten haben.

Prüfen Sie die Teile beim Auspacken auf Transportschäden. Sollten Teile fehlen, wenden Sie sich sofort an DH-Budenberg/WIKA.

6.2 Umgebungsbedingungen

Wird die Druckwaage nicht in einem temperierten Labor aufgestellt, sollte der Aufstellort so weit als möglich folgenden Kriterien entsprechen:

- Räumlichkeit mit konstanter Temperatur ohne Zugluft und Hitze- oder Kältequellen
- Räumlichkeit ohne Lärm und Vibrationen oder häufig benutzter Durchgangswege
- Saubere, trockene Räumlichkeiten, frei von korrosiven Flüssigkeiten oder Dämpfen

Ein starker, stabiler und ebener Tisch oder Werkbank mit entsprechender Tragfähigkeit und dem benötigten Freiraum für die Bedienung des Systems ist erforderlich.

6.3 Aufstellen des Basements

Befestigen des Basements an der Werkbank

Das Basement sollte auf eine feste, ebene Fläche (Tisch oder Werkbank) mit etwa 0,9 m Höhe montiert werden. Die Mittellinie der vorderen Stellfüße der Einheit sollten ca. 40 mm von der Vorderkante der Werkbank entfernt sein, um einen entsprechenden Freiraum für das Handrad sicherzustellen.

1. Die Position der Stellfüße der Einheit auf der Oberfläche der Werkbank markieren.
2. Eine ebene Platte auf den jeweiligen Mittelpunkt der Stellfüße der Einheit auflegen und die Platte an die Werkbank festschrauben, um die Steifigkeit der Druckwaage sicherzustellen.
3. Das Basement auf die Werkbank stellen und darauf achten, dass die Stellfüße auf den ebenen Platten stehen und die Welle des Handrads über die Vorderkante der Werkbank hinausragt.
4. Die vier Handradgriffe in das Drehkreuz schrauben.
5. Durch Verstellen der vier Rändelschrauben an den Stellfüßen die Einheit in der Achse von vorne nach hinten und in der Achse von links nach rechts mit der mitgelieferten Wasserwaage ausrichten, indem man die Wasserwaage auf das Kolbenzylindersystem legt.

6. Inbetriebnahme, Betrieb

6.4 Zusammenbau der Kolbeneinheit

Die Kolbeneinheit des CPB3800 hat eine eigene Transportbox, in der die Kolbeneinheit aufbewahrt wird, wenn sie nicht für den Betrieb verwendet wird oder wenn sie zur Rekalibrierung zurückgesendet werden muss. Die folgenden Details zeigen auf, wie der Kolben des Grundkörpers zusammengesetzt bzw. zerlegt werden soll.

DE

1. Gerändelte Haltekappe aus dem Grundkörper lösen.
2. Den Kolbenkopf auf eine ebene Fläche platzieren, dem Kolben vertikal zugewandt.
3. Die gerändelte Haltekappe mittels der exzentrischen Bohrung auf den Kolben montieren.
4. Den Grundkörper des Kolbens mit dem Außengewinde in vertikaler Position platzieren.
5. Den Kolben mit dem Druckmedium einschmieren und anschließend den Kolben in den Zylinder im Grundkörper nur in vertikaler Richtung einführen.



WARNUNG!

Keine Querkraft anwenden. Übermäßige Kraft ist nicht erforderlich.

6. Die gerändelte Haltekappe am Grundkörper festziehen.
7. Heben Sie den Kolbenkopf, bis er an seinem inneren Anschlag anstößt. Diese Bewegung sollte frei sein.



6.5 Zusammenbau der Druckwaage

1. Die Kolbeneinheit an den linken Anschluss anschließen. Sicherstellen, dass die Kontaktflächen sauber sind und der O-Ring, Durchmesser 12 mm, korrekt sitzt. Für eine effektive Abdichtung ist keine übermäßige Kraft vonnöten.
2. Die Ausrichtung des Basements prüfen und die Wasserwaage auf das Kolbenzylindersystem legen. Falls nötig zum Nivellieren des Basements die Nivellierschrauben verwenden. Bei einer Verwendung als Komparator, die zusätzliche freilaufende Überwurfmutter-Verbindung (Bestell-Nr. 14031251) anbringen, an die die Kolbeneinheit angeschlossen werden soll.
3. Eine passende Verbindung zum Prüfanschluss unter Verwendung einer Dichtung herstellen und einen Prüfling (für die Installation ein bekanntes Messinstrument verwenden) ebenfalls unter Verwendung einer Dichtung anschrauben. Bei Bedarf eine Unterlegscheibe aus Kupfer oder Leder als Ersatz für den Dichtring verwenden. Die lose Mutter am Basement der Druckwaage ermöglicht das freie Positionieren des Messgeräts; für rückseitige Geräte die Winkelverbindung in die freilaufende Überwurfmutter-Verbindung schrauben.



Bei Verwendung von Gewindeadaptern ist zunächst der Gewindeadapter druckdicht mit dem Prüfling zu verbinden. Anschließend kann der Prüfling mit montiertem Adapter in den Prüfanschluss eingesetzt und orientiert werden.

6.5.1 Befüllen des Basements mit Flüssigkeit

1. Die Verschlusschraube vom Vorratsbehälter und den Stopfen entfernen (während des Betriebs Stopfen nicht aufsetzen).
2. Die Ventile **A** und **B** öffnen.
3. Das Handrad der Spindelpumpe komplett nach rechts drehen.
4. Den Vorratsbehälter mit einer geeigneten Flüssigkeit befüllen. Das gelieferte Öl oder ein zugelassenes Ersatzöl für Hydraulikanlagen verwenden. Keine anderen Flüssigkeiten verwenden. Kastoröle, Skydrol, Lösungsmittel oder ähnliche Flüssigkeiten greifen die Dichtungen in der Druckwaage an.
5. Das Handrad der Spindelpumpe komplett nach links drehen.
6. Vorratsbehälter auffüllen, falls nötig.



Schutzbrille tragen!

Schutz der Augen vor umherfliegenden Teilen und Flüssigkeitsspritzern.

6. Inbetriebnahme, Betrieb



Schutzhandschuhe tragen!

Schutz der Hände vor Berührung mit aggressiven Medien.

DE

6.5.2 Prüfung nach dem Zusammenbau

1. Eine Testkalibrierung eines bekannten Prüflings (siehe Kapitel 6.6 „Vorgehensweise“) durchführen, um sicher zu gehen, dass die Einheit korrekt funktioniert.
2. Druck entspannen und Prüfling entfernen.



Um das Messgerät vom System zu lösen, sind nur für den oberen Bereich des Druckanschlusses und am Grundkörper des Messgerätes, Schraubenschlüssel der geeigneten Größe zu verwenden. Sicherstellen, dass der untere Teil des Druckanschlusses nicht gedreht wird, da dieser sich vom Basement lösen könnte.

3. Das System ist nun einsatzbereit.



VORSICHT!

Falls die Füllmenge zu groß ist und es die Verwendung einer zusätzlichen Pumpe und den Anschluss eines weiteren Vorratsbehälters an den Typ CPB3800 erfordert, muss gewährleistet sein, dass das Ventil **B** offen und das Ventil **A** immer geschlossen bleibt, sonst kann ein hoher Druck am Niederdruckkolben der Spindelpumpe aufgebaut werden und Schaden verursachen. Um sicherzustellen, dass dies nicht passieren kann, kann das System mit einem Entlastungsventil geliefert werden, das bei einem eingestellten Druckwert öffnet, falls die Ventile falsch betätigt werden.

Alternativ können wir ein modifiziertes System und eine Handpumpe für diese Anwendung liefern. Bei weiteren Fragen zu beiden Punkten, wenden Sie sich bitte an DH-Budenberg/WIKA.



Bei der Prüfung von Geräten mit großem Volumen, ist es möglich, dass die Kapazität der Spindelpumpe (65 cm^3) nicht ausreicht, um den gewünschten Druck zu erreichen. In diesem Fall das Gerät vor dem Anschluss an das System so weit als möglich mit Flüssigkeit befüllen, um das benötigte Verdrängungsvolumen zu reduzieren.

Schmutzige oder chemisch verunreinigte Prüflinge sollten vor der Montage gereinigt werden, da sie das System verschmutzen können.

6. Inbetriebnahme, Betrieb



Schutzbrille tragen!

Schutz der Augen vor umherfliegenden Teilen und Flüssigkeitsspritzern.



Schutzhandschuhe tragen!

Schutz der Hände vor Berührung mit aggressiven Medien.

DE

6.6 Vorgehensweise

1. Das zu testende Gerät an den Prüfanschluss montieren.
2. Die Massen gemäß des gewünschten Drucks auflegen. Jede Masse ist mit dem entsprechenden Druckwert gekennzeichnet. Das Kolbenzylindersystem hat einen Standardstartwert in lb/in^2 ; zur Umrechnung der Druckeinheit in bar wird ein Ausgleichsgewicht auf den Kolbenzylinder gelegt.



Zur Kalibrierung von Drücken, die kleiner sind als der Druckwert des Ausgleichsgewichts des Massenträgers, wird empfohlen, auf den Kolben stapelbare Scheibengewichte für die Kalibrierung zu verwenden. Soll die gewünschte Druckkalibrierung in bar erfolgen, ist es wichtig, das kleine Ausgleichsgewicht zu montieren, bevor weitere, auf den Kolben stapelbare Scheibengewichte aufgesetzt werden.

Zur Kalibrierung von Drücken, die größer sind als der Druckwert des Massenträger-Ausgleichsgewichts, sollte die Massenträger montiert werden. Alle auf den Kolben stapelbare Scheibengewichte müssen entfernt werden, bevor der Massenträger montiert werden kann.

Ist der Massenträger montiert, sollte zuerst das große Scheiben-Ausgleichsgewicht aufgelegt werden. Das keine Ausgleichsgewicht sollte nicht verwendet werden, wenn der Massenträger montiert ist.

6.6.1 Druckbeaufschlagung

Bei Drücken von bis zu 140 bar (2.000 lb/in^2)

1. Ventil **B** schließen (Ventil **A** bleibt offen).
2. Das Handrad der Spindelpumpe im Uhrzeigersinn drehen. So wird ein Druck von bis zu ca. 140 bar oder 2.000 lb/in^2 erzeugt, wenn das Handrad eingedreht wird. Lässt sich das Handrad schwer drehen, bedeutet dies, dass der Grenzwert für diesen Bereich erreicht wurde.

6. Inbetriebnahme, Betrieb

Bei Drücken über 140 bar (2.000 lb/in²)

1. Sicherstellen, dass Ventil **B** geschlossen und Ventil **A** offen ist.
2. Das Handrad der Spindelpumpe im Uhrzeigersinn drehen, bis es sich nicht mehr drehen lässt.
3. Ventil **A** schließen und Ventil **B** öffnen.
4. Den Griff der Spindelpumpe weiter im Uhrzeigersinn drehen. So wird ein Druck von bis zu ca. 1.200 bar oder 16.000 lb/in² erzeugt.
5. Wenn sich der Kolben hebt und zu schweben scheint, bedeutet dies, dass er beim gewünschten Solldruck angekommen ist. Werden **nur** auf den Kolben stapelbare Scheibengewichte verwendet, zeigt ein blaues und gelbes Band den Schwebezustand an. Wird ein Massenträger verwendet, muss der Unterrand des Massenträgers auf einer Höhe mit einer Nut im Grundkörper des Kolbengehäuses sein, um den gewünschten Solldruck anzuzeigen.

DE

6.6.2 Während der Kalibrierung

Ist die Druckwaage korrekt eingestellt und gibt es keine undichten Stellen, schwebt der Kolben für einige Minuten, ohne dass das Handrad der Spindelpumpe berührt werden muss. Beim ersten Einrichten, kann es jedoch vorkommen, dass Luft im Grundkörper des Kolbenzylindersystems eingeschlossen ist. Entweicht diese aus dem Kolben, können die Massen leicht fallen, es wird aber nur einige Minuten dauern, bis die Luft entwichen ist. Fällt der Kolben weiterhin, die Anschlüsse auf undichte Stellen prüfen.

Während der Kalibrierung sollten die Massen von Hand gedreht werden. Es ist empfehlenswert, dass die Massen nur gedreht werden, wenn der korrekte Druck ungefähr erreicht ist. Die Massen sollten nicht durch eine Druckentlastung angehalten werden, da dann der Kolben mit der vollen Last der Massen gegen den Anschlag dreht.

Es ist wichtig, dass die Massen beim Ablesen der Werte frei drehen. Der Kolben kommt dann zum Stehen, wenn der Druck zu hoch oder zu niedrig ist. Bei den niedrigen Drücken drehen die Massen nur einige Sekunden, außer es wird ein sehr dünnes Öl verwendet; aber falls die Masse vor dem Ablesen von Hand gedreht wird und der Schwebezustand offensichtlich erreicht ist, ist ein genaues Ablesen gegeben.



VORSICHT!

Beim Drehen der Massen ist immer Vorsicht geboten. Es besteht die Gefahr, dass die Kolbeneinheit beschädigt oder der Bediener verletzt wird.

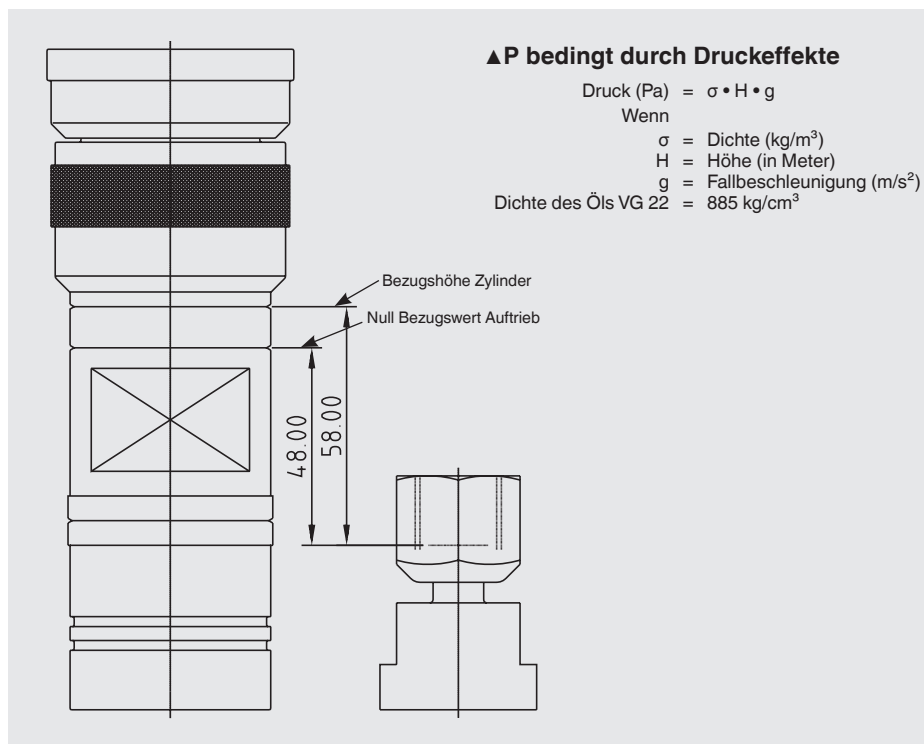
Die Drehbewegung soll daher per Hand gestoppt werden. Erst dann können neue Massen für weitere Prüfpunkte aufgelegt werden oder der Druck vollständig entlastet werden.

6.6.3 Bezugswerte

Bei der Prüfung von Messgeräten mit Flüssigkeit, ist es gelegentlich notwendig, die Bezugshöhen der Flüssigkeit zu berücksichtigen, da eine Höhendifferenz von 10 mm etwa 1 mbar entspricht. Die Bezugshöhen der Kolbeneinheiten Typ CPB3800 sind mit einer Nut am Außendurchmesser der Kolbeneinheit gekennzeichnet. Es muss angemerkt werden, dass bei einer Rekalibrierung der Druckwaage durch ein anderes Labor als DH-Budenberg/WIKA die Bezugshöhe, mit der der Test durchgeführt wird, von diesem Standard abweichen und es für jede Variante eine Abweichung geben kann.

DE

Die Zeichnung zeigt den Effekt, der ausgeglichen werden muss, wenn eine hochgenaue Kalibrierung gewünscht ist. Mit der folgenden Formel kann die Kopfkorrektur berechnet werden.



6. Inbetriebnahme, Betrieb

6.7 Abschlussarbeiten

1. Nach Ende der Prüfung, das Handrad der Spindelpumpe gegen den Uhrzeigersinn drehen um den Druck zu entlasten.
2. Das Ventil **A** oder **B** zur Entlastung des Restdrucks öffnen.
3. Sicherstellen, dass beide Ventile **A** und **B** komplett geöffnet sind.

DE

Das System ist nun bereit für eine neue Prüfung und ist komplett druckentlastet.

6.8 Druckberechnungssoftware Standardgenauigkeit

Mit dieser Software kann der Benutzer sein System und die lokalen Bedingungen definieren (Fallbeschleunigung, Temperatur), sobald der Solldruck eingegeben wird, wird der tatsächlich erreichte Druck angezeigt.

Dieser Ist-Druck wird dann zur Standardgenauigkeit der Druckwaage.

Um die erhöhte Standardgenauigkeit zu erreichen, muss der Benutzer den Korrekturfaktor eingeben, der auf dem mit der Kolbeneinheit gelieferten Zertifikat zur erhöhten Genauigkeit angegeben ist.

Standardbedingungen werden bei DH-Budenberg/WIKA eingegeben, aber wenn der Benutzer diese ändert, werden seine Werte zu Standardwerten (es ist nicht nötig, diese Werte wiederholt einzugeben).



Dieses Programm wurde geschrieben, um Benutzern zu helfen, die Standardgenauigkeit der Druckwaage von DH-Budenberg/WIKA zu erhalten. Es ist nicht für die Verwendung mit Druckwaagen anderer Hersteller vorgesehen.

Die Software kann von der CD Im Ordner „Customer Software“ und „Standard Accuracy DWT“ geladen werden. Vor der Installation und der Benutzung der Software, lesen Sie die Bedienungsanleitung.

6.9 Kolbentemperaturmessung

Für viele Zwecke, wie z. B. die Kalibrierung der meisten Zeigermessgeräte und Messumformer, ist keine genaue Kenntnis der Kolbentemperatur notwendig. Um jedoch die größtmögliche Genauigkeit der Druckwaage zu erreichen, ist es wichtig, die Kolbentemperatur möglichst nahe am Kolben zu kennen.

6. Inbetriebnahme, Betrieb

DE

In Labors, wo die Raumtemperatur geregelt wird, ist es sehr wahrscheinlich, dass die Temperatur des Kolbens nicht um mehr als 0,5 °C von der Umgebungstemperatur abweicht. Wenn bei unregelmäßigen Temperaturen gearbeitet wird, muss jedoch die Temperatur der Kolbeneinheit gemessen werden.

Eine mögliche Art und Weise, dies zu tun, ist die Verwendung eines scheibenförmigen, thermistorartigen Sensorelements, das auf die Außenseite der Kolbeneinheit geklebt wird. Dieses Sensorelement sollte von der Umgebungstemperatur durch eine Abdeckung aus einem dünnen Streifen aus Polystyrol oder einem anderen Isoliermaterial isoliert und dann auf die Kolbeneinheit geklebt werden. Alternativ kann die CalibratorUnit Typ CPU6000 verwendet werden.

Wir können ein passendes Messgerät liefern. Wenden Sie sich bitte an DH-Budenberg/WIKA.

6.10 Reinigung der Messgeräte

Dieser Reinigungs-/Entfettungsprozess ist nur geeignet für Druckmessgeräte mit Bourdonfedern aus Phosphor, Bronze, Beryllium, Kupfer, Monel oder CrNi-Stahl in der Form eines „C“.

Es ist nicht ratsam, Druckmessgeräte mit Bourdonfedern aus Stahl zu entfetten, da bereits eine winzige Menge Rost Messungengenauigkeiten hervorrufen und zu einem vorzeitigen Ausfall der Feder führen kann.



Schutzbrille tragen!

Schutz der Augen vor umherfliegenden Teilen und Flüssigkeitsspritzern.



Schutzhandschuhe tragen!

Schutz der Hände vor Berührung mit aggressiven Medien.

Diese Reinigungsmethode ist nicht geeignet für Druckmessgeräte, die mit gewundenen Bourdonfedern bestückt sind und auch nicht für Messgeräte, die mit Sauerstoff arbeiten, da die Funktion ohne Öl nicht sichergestellt ist. Wenden Sie sich bitte an DH-Budenberg/WIKA.

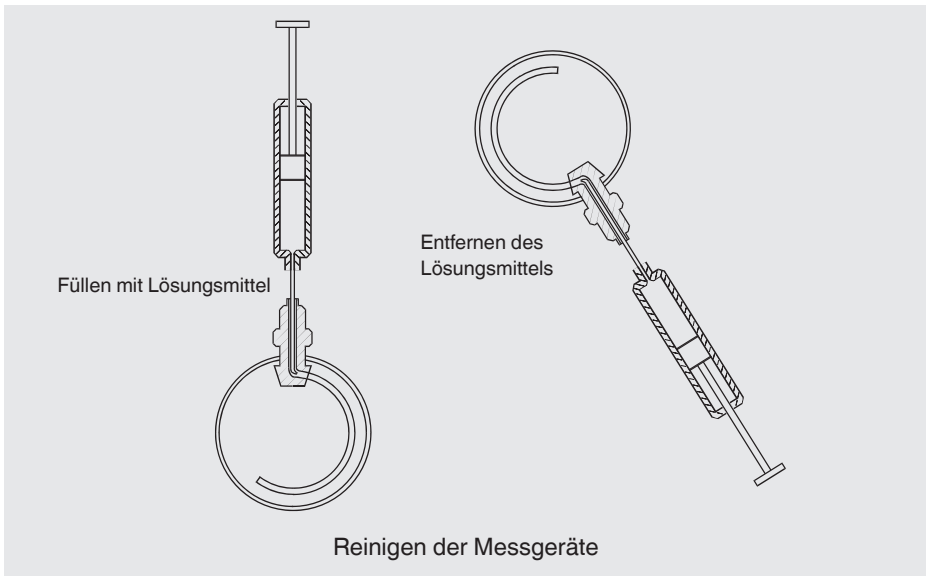
Ausrüstung

Diese besteht aus einer Spritze und einer speziellen Nadel, die um 90° gebogen ist.

Anweisungen:

1. Die Spritze mit Lösungsmittel befüllen (geeigneter Kaltreiniger zum Entfetten).
2. Das Messgerät mit dem Anschluss nach oben zeigend halten, die Nadel in den Anschluss schieben und diese vorsichtig in das Loch führen, das zur Rohrfeder führt.
3. Das Lösungsmittel injizieren. Idealerweise sollte das Rohr halb voll sein.
4. Das Messgerät hin und her schütteln, um das Lösungsmittel zu verteilen.
5. Das Lösungsmittel mit der Spritze wieder herausziehen und das Messgerät dabei schräg halten.
6. Prüfen, ob das Lösungsmittel schwebekörperfrei und rein ist. Um sicherzugehen, dass alles Öl entfernt wurde, den Reinigungsprozess wiederholen, bis das Lösungsmittel klar bleibt.

DE



7. Wartung, Reinigung und Rekalibrierung

7.1 Periodische Wartung

Reparaturen sind ausschließlich vom Hersteller durchzuführen.

Für die periodische Wartung ist nur die Reinigung der Einheit und die Prüfung der Füllstände nötig. Bei normaler Verwendung ist keine weitere Wartung nötig. Falls nötig

7. Wartung, Reinigung und Rekalibrierung

kann das System zum Hersteller zur Wartung zurückgeschickt werden. Genauigkeit, Überholung und Neu-Zertifizierung wird im Kapitel 7.4.1 „Überholung und Re-Zertifizierung von Druckwaagen, Wartung der Genauigkeit“ erklärt.



Flüssigkeiten, die ABS angreifen, sollten mit Vorsicht verwendet werden. Kontinuierliches Eintauchen der Gehäuseabdeckung in solche Flüssigkeiten führt zu Beschädigungen. Verschüttete Flüssigkeit sollte sofort weggewischt werden.

DE

7.2 Instandhaltung

7.2.1 Allgemein

Dieser Abschnitt enthält Einzelheiten zum Zerlegen der Einheit und zum Ersetzen der aufgelisteten Teile (siehe Kapitel 10. „Zubehör“). Die Kennzeichnungsnummern der Bauteile in Klammern beziehen sich auf die nachfolgende Skizze.

7.2.2 Deckel abnehmen

1. So viel Öl wie möglich aus der Druckwaage ablassen und dabei mit einem in den Prüfanschluss eingeschraubten Ablauf die Spindelpumpe vollständig nach rechts drehen.
2. Freilaufende Überwurfmutter und Kolbenzylindersystem lösen.
3. Ölwannen vorsichtig anheben und entfernen.
4. Stellschraube mit einem Sechskantschlüssel 3 mm lockern und beide Handräder entfernen.
5. Die vier Feststellschrauben vom Deckel entfernen und Deckel abnehmen.

7.2.3 Behälterdichtungen

1. Beide Schrauben lösen und Deckel des Vorratsbehälters abnehmen.
2. O-Ring (**6**) aus der Nut nehmen und die Seloc-Dichtung (**7**) von den Schrauben entfernen.
3. Beim Ersetzen prüfen, ob alle Dichtflächen absolut sauber sind und Schrauben nicht zu fest anziehen.

7.2.4 Ventildichtungen

1. Stopfbuchsenmutter lösen.
2. Ventilspindel lösen und Dichtung entfernen.

3. Stopfbuchsenmutter von der Spindel schieben.
4. O-Ring **(9)** unter Verwendung eines Hakenwerkzeugs aus der Bohrung der Stopfbuchsenmutter entfernen. O-Ring und Dichtung **(10)** ersetzen.
5. Beim Austauschen sicherstellen, dass der O-Ring korrekt in der Nut sitzt und alle Dichtflächen sauber sind. Spindel muss komplett gratfrei sein.

7.2.5 Spindelpumpe

1. Die sechs Innensechskantschrauben, die die Aufnahmeplatte des Drehkreuzes sichern, mit dem Sechskantschlüssel 4 mm lösen. (Diese befinden sich in der Nut im hinteren Teil des Aluminium-Drehkreuzes)
2. Durch vorsichtiges Herausziehen des Drehkreuzes kann nun die komplette Kolbenbaugruppe aus dem Zylinderrohr entfernt werden (dabei einen Behälter neben dem Zylinderrohr aufstellen, um Flüssigkeiten aufzufangen).
3. Kolben von der Drehkreuz-Baugruppe lösen.
4. Die Hochdruckdichtung **(12)** und die Niederdruckdichtung **(15)** können nun ausgetauscht werden. Vor dem Anbringen der neuen Dichtungen, sicherstellen, dass der Kolben an den entsprechenden Durchmessern nicht beschädigt ist.
5. An diesem Punkt sollte die Drehkreuz-Baugruppe auf ein zu großes Spiel überprüft werden, was ein Anzeichen für einen Verschleiß des Lagers oder der Schraubspindel und der Mutter ist. Falls Anzeichen von Verschleiß gefunden werden, muss die Drehkreuz-Baugruppe demontiert werden.
6. Bohrung der Blockbaugruppe **(11)** auf Beschädigungen und Korrosion prüfen. Ist ein Austausch erforderlich, wird dieses Teil komplett mit Ventilen geliefert. Der Block wird mit Innensechskantschrauben an das Basement geschraubt.
7. Der Zusammenbau erfolgt in umgekehrter Reihenfolge der beschriebenen Vorgehensweise.



Beim Zusammenbau muss darauf geachtet werden, dass der Kolben korrekt ausgerichtet wird, um ein Verbiegen oder eine Beschädigung der Dichtung zu vermeiden. Keine übermäßige Kraft aufwenden.

Die Innensechskantschrauben sind nicht gleichmäßig um die Flansche angeordnet, prüfen Sie daher die Ausrichtung der Schraubenlöcher bevor Sie die Schrauben einführen.

7.2.6 Drehkreuz-Baugruppe

1. Kolben von der Spindel lösen. **HINWEIS:** Linksgewinde.
2. Handgriffe vom Drehkreuz lösen.
3. Federbolzen **(1)**, der sich unten an einer Gewindebohrung für die Handgriffe befindet mit einem Stempel mit 6 mm Durchmesser aus dem Drehkreuz herausklopfen. Drehkreuz herausziehen.
4. Die Aufnahme des Drehkreuzes und das Axiallager können nun aus der Spindel entfernt werden.
5. Falls die Flanschbuchse **(2)** erneuert werden muss, muss sie aus der Aufnahmeplatte herausgepresst werden und die neue Buchse muss eingepresst werden.
6. Das Axiallager **(3)** muss als komplettes Bauteil ersetzt werden.
7. Die Mutter, der Bolzen und die Spindelbaugruppe **(4)** können nur paarweise ersetzt werden. Mutter vom Kolben lösen, Kolben in einen Schraubstock spannen und neue Mutter einschrauben.
8. Axiallager, Aufnahmeplatte und Drehkreuz an die Spindel montieren, mit Molybdändisulfid-Fett schmieren.
9. Teile zusammenspannen um ein Spiel zu vermeiden und Federbolzen montieren. Bei Verwendung einer neuen Spindel, ein Loch von 6,3 mm Durchmesser bohren um den Federbolzen **(1)** zu montieren.
10. Gewinde mit Molybdändisulfidfett schmieren und in Kolbenmutter schrauben.

7.2.7 Kolbenzylindersystem

Da das Kolbenzylindersystem einen großen Teil der Druckwaage ausmacht, sollte diese immer vorsichtig behandelt und sauber gehalten werden.

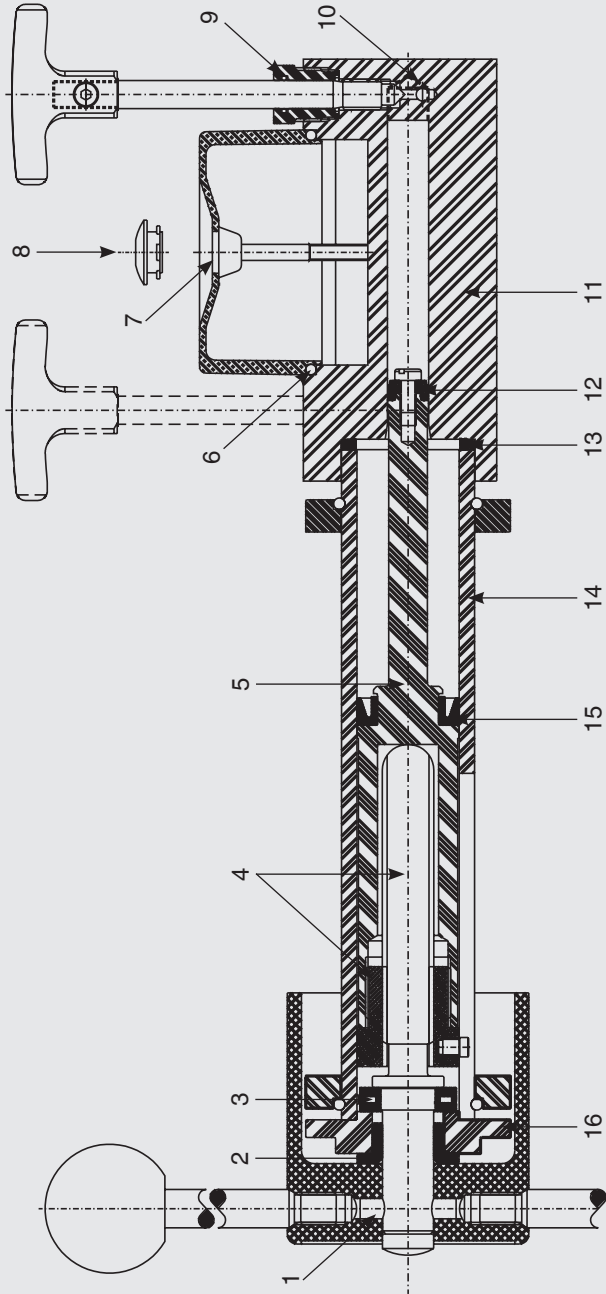
Das Kolbenzylindersystem ist für hohe Genauigkeit ausgerichtet und es ist nicht empfehlenswert, sie zu demontieren. Sollte es nötig sein, sie zu reinigen, muss die Kolben- und Zylinderbohrung sofort geölt werden, um die Oberfläche zu schützen.

Sollte die Einheit beschädigt sein, sollte sie komplett zum Austausch oder zur Reparatur zurückgeschickt werden.

Teile verschiedener Einheiten sind nicht untereinander austauschbar, da sie als Ganzes gewogen und ausgewertet werden müssen.

Die Seriennummer des Kolbenzylindersystems erscheint im Kalibrierzertifikat und ist auf dem Grundkörper der Einheit angegeben. Diese Nummer und die Seriennummer der Druckwaage sollten in der Korrespondenz hinsichtlich des Kolbenzylindersystems immer angegeben werden.

DE



7. Wartung, Reinigung und Rekalibrierung

DE

Die Anschlüsse des Kolbenzylindersystems sollten mit Stopfen verschlossen werden, sobald sie von der Druckwaage gelöst werden. Wird die Einheit aus irgendeinem Grund herausgenommen, sollte Sie mit dem Kopf nach unten auf dem Massenträger gelagert werden.

Dies beinhaltet das Zerlegen der Einheit, um einfache Reparaturen auszuführen und Teile auszutauschen.

7.3 Reinigung

Reinigung der Einheit und Prüfen der Füllstände

Verwendung mit Öl

Das System sauber und frei von verschüttetem Öl halten. Ölauffangwanne unter den Prüfanschlüssen reinigen. Kein lösungsmittelhaltiges Reinigungsmittel verwenden, da es die Dichtungen beschädigen könnte.

Sicherstellen, dass der Vorratsbehälter genügend Flüssigkeit enthält, um die erforderlichen Kalibrieraufgaben auszuführen. Vorratsbehälter mit derselben Flüssigkeit auffüllen, die bereits verwendet wird. Keine andere Art der Flüssigkeit oder eine andere Marke verwenden.

Wird das Öl in der Druckwaage schmutzig, Spindelpumpe verwenden, um sauberes Öl durch das Gerät zu spülen; dafür einen Ablauf in den Prüfanschluss schrauben. (Es kann ein Winkelanschlussstück verwendet werden). Vor dem Start sollte die Spindelpumpe komplett im Uhrzeigersinn eingedreht werden.



Schutzbrille tragen!

Schutz der Augen vor umherfliegenden Teilen und Flüssigkeitsspritzern.



Schutzhandschuhe tragen!

Schutz der Hände vor Berührung mit aggressiven Medien.



Hinweise zur Rücksendung des Gerätes siehe Kapitel 9.1 „Rücksendung“.

7.4 Rekalibrierung

UKAS-, DKD/DakKS-Schein - amtliche Bescheinigungen:

Es wird empfohlen, das Gerät in regelmäßigen Zeitabständen von 5 Jahren durch den Hersteller rekalibrieren zu lassen. Die Grundeinstellungen werden wenn notwendig korrigiert.

DE

7.4.1 Überholung und Re-Zertifizierung von Druckwaagen, Wartung der Genauigkeit

Die Genauigkeit der Druckwaage hängt hauptsächlich von der effektiven Querschnittsfläche der Kolbeneinheit und von den Massen ab, die auf den Kolben gelegt werden. Die effektive Kolbenquerschnittsfläche kann durch den Verschleiß der Einheit beeinträchtigt sein. Dieser wird normalerweise von verunreinigtem Öl in der Druckwaage verursacht, das von Fremdstoffen aus zu kalibrierenden Messgeräten, von Wasser oder Chemikalien aus Messgeräten oder von durch Schmutzstoffe verursachter Korrosion stammt.

Die Massen sind aus austenitischem CrNi-Stahl gefertigt, der sehr stabil ist. Sie sollten regelmäßig ohne Scheuerwirkung gereinigt werden, um Fremdstoffe zu entfernen.

7.4.2 Notwendigkeit der Überholung und Re-Zertifizierung

Wir empfehlen, die Druckwaage zur Überholung und Re-Zertifizierung jederzeit in den folgenden Fällen an uns zurückzuschicken:

1. Der Kolben dreht nicht frei.
2. Die Sinkrate des Kolbens ist offensichtlich höher als beim Neuteil, was die Verwendung der Druckwaage schwierig macht.
3. Die Massen sind beschädigt.
4. Die Druckwaage kann aufgrund von Abnutzung oder Beschädigung der Pumpe oder der Ventile nicht korrekt arbeiten und dies kann vom Benutzer nicht behoben werden.

Diese Druckwaage kann für die Kalibrierung von Messgeräten mit einer erwarteten Genauigkeit von 1, 0,5 oder 0,25 % verwendet werden. Solche Druckwaagen müssen nicht oft zur Überholung und Re-Zertifizierung zurückgeschickt werden; wenn sie zufriedenstellend arbeiten, sind sie über Jahre hinweg zuverlässig. Unter diesen Umständen ist eine Überholung alle fünf Jahre angemessen.

Wird eine hohe Genauigkeit der Druckwaage gefordert, muss sie öfter zur Überholung und Re-Zertifizierung eingesandt werden. Die tatsächlichen Intervalle hängen davon ab, wie die Druckwaage verwendet wird. Eine Druckwaage in einem Labor, die mit Sorgfalt

behandelt wird, muss alle zwei bis fünf Jahre zurückgeschickt werden. Eine Druckwaage, die von Ort zu Ort transportiert wird und für die Kalibrierung von hochpräzisen Messgeräten oder Messaufnehmern von Industrieanlagen zur direkten Druckmessung im Prozess verwendet wird, kann auch öfter als oben angegeben zurückgeschickt werden.

Die tatsächlichen Intervalle zwischen den Überholungen und Re-Zertifizierungen sollten vom Benutzer hinsichtlich der oben genannten Anmerkungen festgelegt werden und müssen die Anforderungen der Kontrollbehörde, die dafür zuständig ist, berücksichtigen.

7.4.3 Identifizierung der Massen

Alle Massensätze, die mit einer Druckwaage geliefert werden, sind einer Massensatznummer zugeordnet und entsprechend markiert. Falls sichergestellt werden soll, dass nur spezielle Massen mit einer einzelnen Druckwaage oder eines Kolbenzylindersystems verwendet werden, kann auch die Seriennummer der Druckwaage bzw. der Kolbeneinheit auf den Hauptmassen vermerkt werden. Aufgrund der geringen Größe einiger Massen, können nicht alle Informationen vermerkt werden.

7.4.4 Überholung und Re-Zertifizierung

Für eine bestmögliche Überholung, sollte die Druckwaage als gesamte Einheit, zusammen mit dem Basement, des Kolbenzylindersystems und allen Massen, zurückgeschickt werden.

Das Basement kann auch selbst gewartet werden. Das Kolbenzylindersystem mit den Massen muss jedoch zur Überholung eingeschickt werden. In diesem Fall bezieht sich das Zertifikat, das nach der Überholung erstellt wird, nur auf das Kolbenzylindersystem und die Massensatznummern aber nicht auf das Basement, dem sie ursprünglich zugeordnet waren.

Die Basements der Druckwaage werden zerlegt, die Verrohrung gereinigt, die Dichtungen werden ausgetauscht und alle abgenutzten Komponenten werden, wo gewünscht, ersetzt; die Druckwaage wird wieder zusammengebaut und getestet.

Die Massen werden geprüft und, falls möglich, auf das ursprüngliche Maß gebracht. Fehlen ein oder zwei Massen oder ist eine Reparatur nicht mehr wirtschaftlich, werden sie ersetzt. Fehlen mehr als zwei Massen oder ist eine Reparatur nicht mehr wirtschaftlich, wird der Kunde um eine Entscheidung gebeten.

Die Kolbeneinheit wird auf Genauigkeit und Sensitivität geprüft. Ist diese aus irgendeinem Grund nicht zufriedenstellend, wird ein Angebot über ein Ersatzgerät unterbreitet.

7. Wartung, Reinigung und Rekalibrierung / 8. Störungen

Für jede überholte Druckwaage wird ein neues Genauigkeitszertifikat erstellt. Sollte es eine leichte Änderung der Kolbenquerschnittsfläche gegeben haben, wird dies, falls auf der Bestellung nicht anders angegeben, im Zertifikat vermerkt; die Genauigkeit wird sich nicht um mehr als 0,03 % verändern.

DE

Das Genauigkeitszertifikat des überholten Druckwaage kann zum Beispiel aufzeigen, dass die Abweichung nicht mehr als 0,05 % beträgt, während das Originalzertifikat bestätigt, dass die Abweichung 0,02 % nicht übersteigt.

Wir können für ein überholtes System ein UKAS- oder DKD/DakKS-Zertifikat für die Kalibrierung erstellen. Einzelheiten können auf Anfrage geliefert werden.

8. Störungen

Störungen	Ursachen	Maßnahmen
System liefert keinen Ausgangsdruck.	Keine Flüssigkeit in der Druckwaage.	Prüfen, ob die Druckwaage mit Flüssigkeit gefüllt ist. System wenn nötig mit Flüssigkeit füllen. Siehe Kapitel 6.5.1 „Befüllen des Systems mit Flüssigkeit“.
	Ventil B ist offen.	Ventil B schließen und noch einmal versuchen.
	Zu testendes Gerät hat ein großes Volumen.	Gerät vor dem Test mit Flüssigkeit füllen.
	Fehlende oder beschädigte Dichtungen aufgezeigt durch unerklärbare Leckage.	Dichtungen am System prüfen und sicherstellen, dass sie korrekt montiert und unbeschädigt sind. Ersetzen, falls nötig.
	Ventil B Handrad von Spindel gelöst.	Ventil B prüfen. Nut zur Sicherung des Handrads an der Spindel anziehen, falls nötig.
	Baugruppe Ventil B oder Ventilsitz beschädigt.	Zustand des Ventils B und des Ventilsitzes prüfen. Ventilbaugruppe ersetzen oder Druckwaage an DH-Budenberg/WIKA zur Überholung zurückschicken.
	Wenn die Ursache nicht gefunden werden kann.	Druckwaage an DH-Budenberg/WIKA zur Untersuchung zurückschicken.

14062232.04 03/2015 EN/DE

8. Störungen

DE

Störungen	Ursachen	Maßnahmen
System liefert Druck aber der Druck fällt ab, wenn die Ventile A und B betätigt werden.	Vorgehensweise nicht korrekt.	Sicherstellen, dass die korrekte Vorgehensweise angewandt wird (siehe Kapitel 6.6)
	Wenn die Ursache nicht gefunden werden kann.	Druckwaage an DH-Budenberg/WIKA zur Untersuchung zurückschicken.
System liefert Druck aber der Druck fällt auf Null ab.	Vorgehensweise nicht korrekt.	Sicherstellen, dass die korrekte Vorgehensweise angewandt wird (siehe Kapitel 6.6)
	Fehlende oder beschädigte Dichtungen aufgezeigt durch unerklärliche Leckage.	Dichtungen am System prüfen und sicherstellen, dass sie korrekt montiert und unbeschädigt sind. Ersetzen, falls nötig.
	Ventil A, Baugruppe Ventil B oder Ventilsitz beschädigt.	Zustand der Ventile A und B und des Ventilsitzes prüfen. Ventilbaugruppe ersetzen oder Druckwaage an DH-Budenberg/WIKA zur Überholung zurückschicken.
	Wenn die Ursache nicht gefunden werden kann.	Druckwaage an DH-Budenberg/WIKA zur Untersuchung zurückschicken.
System liefert Druck aber der Druck fällt auf einen niederen Wert ab und bleibt dann stabil.	Nicht genügend Flüssigkeit in der Druckwaage.	Füllstand im Vorratsbehälter prüfen. Vorratsbehälter mit der korrekten Flüssigkeit füllen (siehe Kapitel 6.5.1).
	Luft im System.	Zu prüfendes Bauteil mit entsprechender Flüssigkeit füllen. Falls nötig, Flüssigkeit in der Druckwaage nachfüllen.
	Wenn die Ursache nicht gefunden werden kann.	Druckwaage an DH-Budenberg/WIKA zur Untersuchung zurückschicken.
	Interne Beschädigung	Druckwaage an DH-Budenberg/WIKA zur Untersuchung zurückschicken.
	Vorgehensweise nicht korrekt.	Sicherstellen, dass die korrekte Vorgehensweise angewandt wird (siehe Kapitel 6.6)
	Wenn die Ursache nicht gefunden werden kann.	Druckwaage an DH-Budenberg/WIKA zur Untersuchung zurückschicken.

8. Störungen / 9. Rücksendung und Entsorgung

DE

Störungen	Ursachen	Maßnahmen
Spindelpumpe der Druckwaage ist schwergängig, sobald die Druckwaage im Bereich unter 140 bar verwendet wird. (2.000 lb/in ²)	Interne Beschädigung	Druckwaage an DH-Budenberg/WIKA zur Untersuchung zurückschicken.
Spindelpumpe der Druckwaage ist schwergängig, sobald die Druckwaage im Bereich über 140 bar verwendet wird. (2.000 lb/in ²)	Vorgehensweise nicht korrekt.	Sicherstellen, dass die korrekte Vorgehensweise angewandt wird (siehe Kapitel 6.6)
	Wenn die Ursache nicht gefunden werden kann.	Druckwaage an DH-Budenberg/WIKA zur Untersuchung zurückschicken.



VORSICHT!

Können Störungen mit Hilfe der oben aufgeführten Maßnahmen nicht beseitigt werden, ist die Druckwaage unverzüglich außer Betrieb zu setzen, sicherzustellen, dass kein Druck mehr anliegt und gegen versehentliche Inbetriebnahme zu schützen.

In diesem Falle Kontakt mit dem Hersteller aufnehmen.

Bei notwendiger Rücksendung die Hinweise unter Kapitel 9.1 „Rücksendung“ beachten.

9. Rücksendung und Entsorgung



WARNUNG!

Messstoffreste an der Druckwaage können zur Gefährdung von Personen, Umwelt und Einrichtung führen. Ausreichende Vorsichtsmaßnahmen ergreifen.

9.1 Rücksendung



WARNUNG!

Beim Versand des Gerätes unbedingt beachten:

Alle an DH-Budenberg/WIKA gelieferten Geräte müssen frei von Gefahrstoffen (Säuren, Laugen, Lösungen, etc.) sein.

Zur Rücksendung des Gerätes die Originalverpackung oder eine geeignete Transportverpackung verwenden.

9. Rücksendung und Entsorgung

DE

Um Schäden zu vermeiden:

1. Kolbenzylindersystem in die dafür vorgesehene Transportverpackung legen (siehe Kapitel 6.4. „Zusammenbau der Kolbeneinheit“).
2. Das Gerät in eine antistatische Plastikfolie einhüllen.
3. Das Gerät mit dem Dämmmaterial in der Verpackung platzieren. Zu allen Seiten der Transportverpackung gleichmäßig dämmen.
4. Wenn möglich einen Beutel mit Trocknungsmittel der Verpackung beifügen.
5. Sendung als Transport eines hochempfindlichen Messgerätes kennzeichnen.



Hinweise zur Rücksendung befinden sich in der Rubrik „Service“ auf unserer lokalen Internetseite.

9.2 Entsorgung

Durch falsche Entsorgung können Gefahren für die Umwelt entstehen.

Gerätekomponenten und Verpackungsmaterialien entsprechend den landesspezifischen Abfallbehandlungs- und Entsorgungsvorschriften umweltgerecht entsorgen.



Bei Geräten mit dieser Kennzeichnung wird darauf hingewiesen, dass diese nicht in den Hausmüll entsorgt werden dürfen. Die Entsorgung erfolgt durch Rücknahme bzw. durch entsprechende kommunale Stellen (siehe EU-Richtlinie 2002/96/EC).

10. Zubehör

10. Zubehör

DE

Bezeichnung/Ausführung	Bestell-Nr.
Trimm-Massensatz (1 mg bis 50 g), Klasse F1	7093874
Trimm-Massensatz (1 mg bis 50 g), Klasse M1	14025325
Set aus 2 Tragekoffern für bar-Massensatz	14031236
Set aus 2 Tragekoffern für psi-Massensatz	14068416
Tragekoffer für CPB3800 Gerätebasement	14031237
Adapterset „BSP“ für Prüflingsanschluss G ½ B außen auf G ⅛, G ¼, G ⅜ und G ½ innen	14031238
Adapterset „NPT“ für Prüflingsanschluss G ½ B außen auf ⅛ NPT, ¼ NPT, ⅜ NPT und ½ NPT innen	14031239
Adapterset „metrisch“ für Prüflingsanschluss G ½ B außen auf M12 x 1,5 und M20 x 1,5 innen	14031242
Prüflingsanschluss, G ¾ innen auf G ½ innen, freilaufend	14031251
Winkelanschlussstück 90°, für Prüflinge mit rückseitigem Anschluss	1564838
Trennvorlage (zur Trennung zweier flüssigen Medien mit Membran), max. 700 bar	14031253
Trennvorlage (zur Trennung zweier flüssigen Medien mit Membran), max. 1.200 bar	14031254
Dichtungssatz für CPB3800 Gerätebasement	14031255
Spezialöl für CPB-Serie bis max. 4.000 bar, 0,5 Liter	2099954
Werkzeugset bestehend aus Gabelschlüssel, BSP-Adapter, Ersatzdichtungen, Zeigerabhebevorrichtung und Zeigeraufschlagstempel	14031263



DH - Budenberg

DE

EG-Konformitätserklärung

EC Declaration of Conformity

Dokument Nr.:

14048028.01

Document No.:

14048028.01

Wir erklären in alleiniger Verantwortung, dass die mit CE gekennzeichneten Produkte

We declare under our sole responsibility that the CE marked products

Typ:

CPB3800

Model:

CPB3800

Beschreibung:

Kolbenmanometer in Kompaktausführung

Description:

Pressure balance in compact design

gemäß gültigem Datenblatt:

CT 31.06

according to the valid data sheet:

CT 31.06

die grundlegenden Schutzanforderungen der folgenden Richtlinie(n) erfüllen:

are in conformity with the essential protection requirements of the directive(s)

97/23/EG (DGRL)⁽¹⁾

97/23/EC (PED)⁽¹⁾

(1) PS > 1000 bar; Modul A, druckhaltendes Ausrüstungsteil

(1) PS > 1000 bar; Module A, pressure accessory

Unterschiedet für und im Namen von / Signed for and on behalf of

DH-Budenberg Ltd.

Manchester, 2012-07-03

John White, Managing Director

Unterschrift, autorisiert durch das Unternehmen / Signature authorized by the company

DH-Budenberg Ltd.
2 Gilchrist Road, Northbank Industrial Estate
Inham, Manchester M44 5 AY
United Kingdom

Tel: +44 (0)844 4060085
Fax: +44 (0)844 4060087
www.dh-budenbergLtd.com

14062232.04 03/2015 EN/DE