

Preliminary Version

**Operating instructions
Betriebsanleitung**

Pneumatic comparison test pump, model CPP120-X

EN

Pneumatische Vergleichsprüfpumpe, Typ CPP120-X

DE

DH *Budenberg*



Pneumatic comparison test pump, model CPP120-X

avrorarm.ru
+7 (495) 956-62-18

WIKAL
Part of your business

EN	Operating instructions model CPP120-X	Page	3 - 40
-----------	--	-------------	---------------

DE	Betriebsanleitung Typ CPP120-X	Seite	41 - 78
-----------	---------------------------------------	--------------	----------------

Further languages can be found at www.wika.com.

© 08/2020 WIKA Alexander Wiegand SE & Co. KG
All rights reserved. / Alle Rechte vorbehalten.
WIKA® is a registered trademark in various countries.
WIKA® ist eine geschützte Marke in verschiedenen Ländern.

Prior to starting any work, read the operating instructions!
Keep for later use!

Vor Beginn aller Arbeiten Betriebsanleitung lesen!
Zum späteren Gebrauch aufbewahren!

Content

1. General information	5
2. Short overview	6
2.1 Overview	6
2.2 Description	6
2.3 Scope of delivery	7
3. Safety	8
3.1 Explanation of symbols	8
3.2 Intended use	8
3.3 Improper use	9
3.4 Personnel qualification	9
3.5 Personal protective equipment	10
3.6 Labelling, safety marks	10
4. Design and function	12
4.1 Description	12
4.2 Instrument base	12
4.3 Pressure supply	15
4.4 Function	15
5. Transport, packaging and storage	17
5.1 Transport	17
5.2 Packaging and storage	17
6. Commissioning, operation	18
6.1 Unpacking the pneumatic comparison test pump	18
6.2 Environmental requirement	18
6.3 Assembly of comparison test pump	18
6.4 Assembly	19
6.4.1 Connection of the test item and the reference measuring instrument	19
6.4.2 Connection of external pressure/vacuum supply	20
6.4.3 Post-assembly test.	21
6.5 Procedure (positive pressure and vacuum operation)	21
6.5.1 Increasing pressure	22
6.5.2 Decreasing pressure.	23
6.6 Cleaning gauges	23
7. Faults	24
8. Maintenance, corrective maintenance and cleaning	26
8.1 Periodic maintenance	26
8.2 Corrective maintenance	27

Content

EN

8.2.1 General27
8.2.2 Removing the cover30
8.2.3 Replacing seals on inlet valve and outlet valve30
8.2.4 Inlet valve and outlet valve testing procedure30
8.2.5 Volume adjuster31
8.2.6 Replace sealing of system pressure gauge31
8.3 Cleaning32
9. Dismounting, return and disposal	33
9.1 Dismounting33
9.2 Return33
9.3 Disposal34
10. Specifications	35
11. Accessories	39

1. General information

EN

1. General information

- The model CPP120-X pneumatic comparison test pump described in the operating instructions has been manufactured using state-of-the-art technology. All components are subject to stringent quality and environmental criteria during production. Our management systems are certified to ISO 9001 and ISO 14001.
- These operating instructions contain important information on handling the instrument. Working safely requires that all safety instructions and work instructions are observed.
- Observe the relevant local accident prevention regulations and general safety regulations for the instrument's range of use.
- The operating instructions are part of the product and must be kept in the immediate vicinity of the instrument and readily accessible to skilled personnel at any time. Pass the operating instructions onto the next operator or owner of the instrument.
- Skilled personnel must have carefully read and understood the operating instructions prior to beginning any work.
- The general terms and conditions contained in the sales documentation shall apply.
- Subject to technical modifications.

■ Further information:

DH-Budenberg

A division of WIKA Instruments Ltd.

- | | |
|---------------------------|---|
| - Internet address: | www.wika.de / www.wika.com |
| - Relevant data sheet: | CT 91.03 |
| - Application consultant: | Tel.: +44 844 4060086
Fax: +44 844 4060087
sales@dh-budenberg.co.uk |

■ EU importer

WIKA Alexander Wiegand SE & Co. KG

- | | |
|---------------------------|---|
| - Internet address: | www.wika.de / www.wika.com |
| - Relevant data sheet: | CT 91.03 |
| - Application consultant: | Tel.: +49 9372 132-0
Fax: +49 9372 132-406
info@wika.de |

2. Short overview

2. Short overview

2.1 Overview



- ① Test item connection with G ½ female thread, loose union connection
- ② Connection Block G 1 female thread
- ③ Inlet valve
- ④ Outlet valve
- ⑤ Volume adjuster
- ⑥ System pressure gauge
- ⑦ Rotatable feet
- ⑧ Inlet manifold (rear side)

2.2 Description

The model CPP120-X comparison test pump is a pneumatic comparison test pump for the provision of pressure up to 120 bar [1,740 psi]. It is technically identical to the instrument base of the model CPB3500 dead-weight tester.

The individual test points can be easily controlled with the two integrated fine metering valves for pressure inlet and pressure outlet.

For the precise setting for accurate comparative testing, the CPP120-X features a precisely adjustable volume adjuster.

2. Short overview

EN

The connection for the necessary external pressure or vacuum supply is located on the rear side of the instrument.

By connecting the test item and a sufficiently accurate reference pressure measuring instrument to the test pump, the same pressure will act on both measuring instruments. By comparison of the two measured values at any given pressure value, a check of the accuracy and/or adjustment of the pressure measuring instrument under test can be carried out.

The two test connections are equipped with G ½ female loose union connections. Corresponding thread adapters are available for the calibration of instruments with different connection threads.

Any comparison test pump, model CPP120-X can be converted to a pneumatic dead-weight tester by the addition of the appropriate piston cylinder system (CPS3500) and mass set (CPM3500).

The CPP120-X features optimal characteristics for use in the laboratory, as well as the ruggedness needed for industrial applications.

The pneumatic comparison test pump requires a regulated supply of clean dry gas to operate. We recommend using a Nitrogen Cylinder as the gas from this is normally dry and clean. Alternatively use compressed air, filtered and dried to remove oil and moisture which could cause the piston cylinder system or the moveable parts of the base unit to become sticky.

2.3 Scope of delivery

- Instrument base
- Two fine metering valves for pressure inlet and pressure outlet or vacuum
- Volume adjuster for fine pressure adjustment
- Two test item connections with G ½ female thread, loose union connection
- Connection for external pressure or vacuum supply
- Adapter set for test item selectable from 3 different sets:
 - Adapter set "BSP" G ½ male on G ⅛, G ¼, G ⅜ and G ½ female
 - Adapter set "NPT" G ½ male on ⅛ NPT, ¼ NPT, ⅜ NPT and ½ NPT female
 - Adapter set "metric" G ½ male on M12 x 1.5 and M20 x 1.5 female
- Tool and maintenance set

Cross-check scope of delivery with delivery note.

3. Safety

3. Safety

3.1 Explanation of symbols

EN



WARNING!

... indicates a potentially dangerous situation that can result in serious injury or death, if not avoided.



CAUTION!

... indicates a potentially dangerous situation that can result in light injuries or damage to property or the environment, if not avoided.



Information

... points out useful tips, recommendations and information for efficient and trouble-free operation.

3.2 Intended use

This model CPP120-X pneumatic comparison test pump is used for the testing, adjustment and calibration of mechanical and electronic pressure measuring instruments through comparative measurements.

These unit can be used in the laboratory or workshop, or on site at the measuring point.

By connecting the test item and a sufficiently accurate reference pressure measuring instrument to the test pump, the same pressure will act on both measuring instruments. By comparison of the two measured values at any given pressure value, a check of the accuracy and/or adjustment of the pressure measuring instrument under test can be carried out.

The CPP120-X requires a regulated supply of clean dry gas to operate. We recommend using a nitrogen cylinder as the gas from this is normally dry and clean.

Alternatively use compressed air, filtered and dried to remove oil and moisture which could cause that the piston cylinder system or the moveable parts of the base unit become sticky.

This instrument is not permitted to be used in hazardous areas!

The instrument has been designed and built solely for the intended use described here, and may only be used accordingly.

The technical specifications contained in these operating instructions must be observed.

3. Safety

EN

Improper handling or operation of the instrument outside of its technical specifications requires the instrument to be taken out of service immediately and inspected by an authorised WIKA service engineer.

The manufacturer shall not be liable for claims of any type based on operation contrary to the intended use.

3.3 Improper use



WARNING!

Injuries through improper use

Improper use of the instrument can lead to hazardous situations and injuries.

- ▶ Refrain from unauthorised modifications to the instrument.
- ▶ Do not use the instrument within hazardous areas.
- ▶ Do not use the instrument with liquid media.
- ▶ Do not use the instrument to calibrate oxygen gauges.
- ▶ Do not use oxygen as pressure supply.

Any use beyond or different to the intended use is considered as improper use.

3.4 Personnel qualification



WARNING!

Risk of injury should qualification be insufficient

Improper handling can result in considerable injury and damage to property.

- ▶ The activities described in these operating instructions may only be carried out by skilled personnel who have the qualifications described below.

Skilled personnel

Skilled personnel, authorised by the operator, are understood to be personnel who, based on their technical training, knowledge of measurement and control technology and on their experience and knowledge of country-specific regulations, current standards and directives, are capable of carrying out the work described and independently recognising potential hazards.



WIKA can provide dedicated training courses on the correct use of our products. Please contact your local office for further details.

3. Safety

3.5 Personal protective equipment

The personal protective equipment is designed to protect the skilled personnel from hazards that could impair their safety or health during work. When carrying out the various tasks on and with the instrument, the skilled personnel must wear personal protective equipment.

Follow the instructions displayed in the work area regarding personal protective equipment!

The requisite personal protective equipment must be provided by the operating company.



Wear safety goggles!

Protect eyes from flying particles and liquid splashes.



During the operation, cleaning or maintenance at the comparison test pump it is necessary to wear safety goggles.

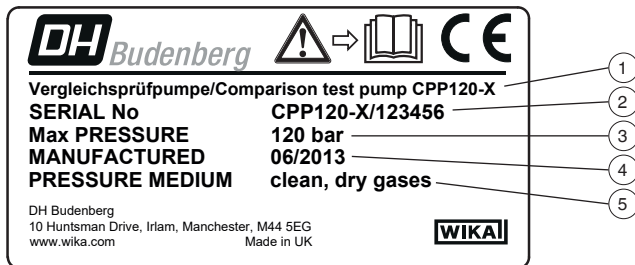
Please observe also the additional notes in the individual chapters of this operating instruction.

3. Safety

3.6 Labelling, safety marks

Product label

The operator is obliged to maintain the product label in a legible condition.



- ① Model
- ② Serial number
- ③ Pressure range
- ④ Date of manufacture)
- ⑤ Pressure transmission medium

Symbol



Before mounting and commissioning the instrument, ensure you read the operating instructions!

4. Design and function

4. Design and function

4.1 Description

EN

The model CPP120-X pneumatic comparison test pump features optimal characteristics for use in the laboratory, as well as the ruggedness needed for industrial applications. The CPP120-X requires a regulated supply of clean dry gas to operate. We recommend using a Nitrogen cylinder as the gas from this is normally dry and clean. Alternatively use compressed air, filtered and dried to remove oil and moisture which could cause that the piston cylinder system or the moveable parts of the base unit become sticky.

4.2 Instrument base

The CPP120-X instrument base consists of a solid aluminium base plate mounted on four adjustable levelling feet, a volume adjuster, control valves, pipework to two stainless steel pressure connection blocks.

The pipework and above mentioned assemblies are covered by an easy to clean ABS cover.



The component identification (number in the circle) in each procedure refer to the following figure.



08/2020 EN/DE

4. Design and function

EN

① Test item connection with G ½ female thread, loose union connection

As standard, the test item connections ① have a G ½ female thread. For calibrating instruments with other connection threads, the appropriate thread adapter can be used see chapter 11 "Accessories").



Instead of a test item connection ①, a model CPS3500 piston cylinder system can directly mounted at the connection block ②. This enables to use the CPP120-X in combination with a model CPM3500 mass set as a pneumatic dead weight tester.

② Connection block G 1 female thread

Pressure supply pipes from the volume adjuster are terminated at two pressure blocks mounted on the base.

The connection blocks are fitted with an G 1 female thread at the top which will come through the cover of the base. The connection blocks enable to screw in the test item connections ①.

③ Inlet valve

The inlet valve control the pressure supply into the instrument base.

- By turning the inlet valve anti-clockwise, the pressure is increased.
- By turning the inlet valve clockwise, the pressure increase is stopped.



CAUTION!

Damage of the inlet valve caused by overtightening

Overtightening of the valve will result a shorter working life and thus involve maintenance.

- ▶ The valve has a 'soft seat' design and should only require to be finger-tight to achieve an effective seal.

4. Design and function

4 Outlet valve

The outlet valve control the pressure release out of the instrument base.

- By turning the outlet valve anti-clockwise, the pressure is reduced.
- By turning the outlet valve clockwise, the pressure reduction is stopped.



CAUTION!

Damage of the outlet valve caused by overtightening

Overtightening of the valve will result a shorter working life and thus involve maintenance.

- ▶ The valve has a 'soft seat' design and should only require to be finger-tight to achieve an effective seal.

5 Volume adjuster

To reach the test pressure very accurate and fast, the instrument base is equipped with a volume adjuster. These is particularly required when calibrating high accuracy instruments.

6 System pressure gauge

The system pressure gauge gives an indication only of the approximate pressure which is in the system.

⇒ This gauge is not intended for calibrating other instruments.

7 Rotatable feet

The instrument base consists of four adjustable levelling feet.

By adjusting the four knurled feet on the rotatable feet, the test pump can be alignend, by placing the supplied spirit level.

8 Inlet manifold

The inlet manifold is bolted to the rear of the aluminium base plate. The external pressure supply should be connected here.

4. Design and function

4.3 Pressure supply

The CPP120-X requires a regulated pressure supply of clean dry gas to operate. Any compressed pressure supply represents a supply of considerable potential energy and as with electricity precautions must be taken to prevent accidents.



WARNING!

Physical injuries and damage to property and the environment caused by incorrect pressure supply

Improper handling can result in considerable injury and damage to equipment.

- ▶ Use only dry, clean and oil-free gases (e.g. Nitrogen cylinder).
- ▶ Use a pressure reducer to reduce the supply pressure. The supply pressure should be just above the required working pressure max. 120 bar [1.740 psi].
- ▶ Do not use oxygen in the tester.
- ▶ If no suitable supply is available use a hand pump for pressure or vacuum supply.

4.4 Function

Operation of the CPP120-X is by controlling the supply/release of a pneumatic pressure/vacuum supply by the inlet valve (3) and the outlet valve (4). With the use of the two control valves (and if applicable the system pressure gauge) the operator can approximately reach the required pressure.

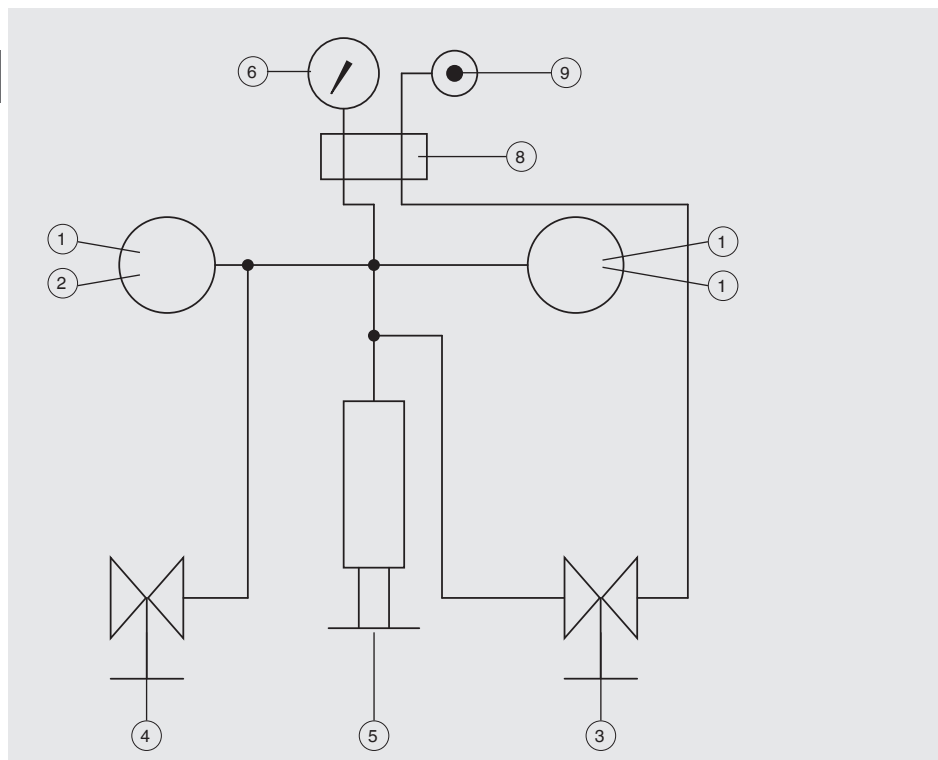
To achieve the exact required pressure the volume adjuster (5) should be rotated clockwise or anti-clockwise to increase or decrease pressure. To release the test pressure the outlet valve (4) has to be turned anti-clockwise.

No excessive force is required on the control valves and or volume adjuster to achieve the desired results.

4. Design and function

Schematic diagram

EN



- ① Test item connection
- ② Connection block
- ③ Inlet valve
- ④ Outlet valve
- ⑤ Volume adjuster
- ⑥ System pressure gauge
- ⑨ Pressure/vacuum supply
- ⑧ Inlet manifold

5. Transport, packaging and storage

5. Transport, packaging and storage

5.1 Transport

Check the model CPP120-X pneumatic comparison test pump for any damage that may have been caused by transport.

Obvious damage must be reported immediately.



CAUTION!

Damage through improper transport

With improper transport, a high level of damage to property can occur.

- ▶ When unloading packed goods upon delivery as well as during internal transport, proceed carefully and observe the symbols on the packaging.
- ▶ With internal transport, observe the instructions in chapter 5.2 "Packaging and storage".

5.2 Packaging and storage

Do not remove packaging until just before mounting.

Keep the packaging as it will provide optimum protection during transport (e.g. change in installation site, sending for repair).

Permissible conditions at the place of storage:

- Storage temperature: -10 ... +50 °C
- Humidity: 35 ... 85 % relative humidity (no condensation)

Avoid exposure to the following factors:

- Direct sunlight or proximity to hot objects
- Mechanical vibration, mechanical shock (putting it down hard)
- Soot, vapour, dust and corrosive gases
- Hazardous environments, flammable atmospheres

Store the CPP120-X in its original packaging in a location that fulfils the conditions listed above. If the original packaging is not available, pack and store the instrument as described below:

1. Place the instrument along with shock-absorbent material in the packaging.
2. If stored for a prolonged period of time (more than 30 days), place a bag containing a desiccant inside the packaging.

6. Commissioning, operation

6. Commissioning, operation

Personnel: Skilled personnel

Protective equipment: safety goggles

Tools: open-end wrench

Only use original parts (see chapter 11 "Accessories").

6.1 Unpacking the pneumatic comparison test pump

As soon as possible after delivery open the packaging of the model CPP120-X pneumatic comparison test pump and check that all the items detailed in the packing list (see chapter 2.3 "Scope of delivery") are included.

Unpacking the items, check them for any damage that may have been caused by transport. If any items are missing, please contact DH-Budenberg/WIKA immediately.

6.2 Environmental requirement

When not sitting the CPP120-X in a temperature controlled laboratory look for an area that satisfies the following criteria as much as possible:

- A constant temperature area free from draughts and supplies of heat or cold
- An area free from noise and vibration, constantly used pathways
- A clean dry area free from corrosive liquids or vapours

A strong, stable, level table or workbench with the capability of supporting the system with sufficient space to operate is required.

6.3 Assembly of comparison test pump

Fastening the CPP120-X to the bench

The CPP120-X should be mounted on a firm, level table or bench about 0.9 m [35.4 in] high. The centre line of the front adjustable feet of the CPP120-X should be about 40 mm from the front edge of the bench to allow adequate clearance for the volume adjuster (5).

1. Fit the pneumatic comparison test pump on the bench with the adjustable feet on the level plates and the volume adjuster (5) projecting over the front of the bench.
2. Using the spirit level provided and level the unit in both the front/rear axis and the side to side axis by adjusting the four knurled feet.

6. Commissioning, operation

EN



If the model CPP120-X pneumatic comparison test pump is used as a dead weight tester in combination with a model CPS3500 piston cylinder system the levelling procedure should be carried out after the piston system has been fitted.

The spirit level should be placed on the weight carrier during the levelling procedure.

6.4 Assembly

6.4.1 Connection of the test item and the reference measuring instrument

- ▶ The instrument to be tested and the reference measuring instrument are inserted into the two test connections ① and can be oriented.
 - ⇒ It doesn't matter which port is used for which instrument.
 - ⇒ No excess force is required!

As standard, the test connections ① are G ½ female.

For calibrating instruments with other connection threads, the appropriate thread adapter can be used (see chapter 11 "Accessories").



When using thread adapters, the thread adapter has to be connected pressure tight to the test item first.

After that the test item with mounted adapter can be inserted into the test connection ① and can be oriented.

- ▶ Before adapting the reference pressure measuring instrument and the test item, check the sealings in the two connections for correct seating and wear.
 - ⇒ Replace the sealings, if necessary.



CAUTION!

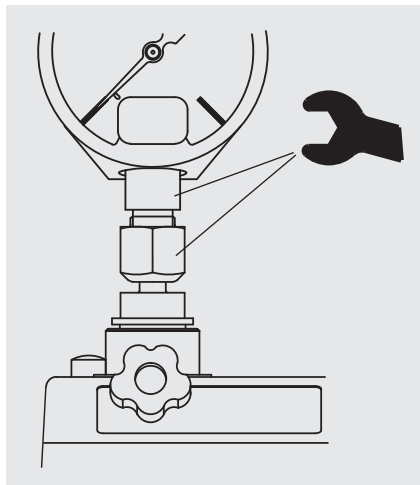
Damage to the hand test pump due to contamination

Contaminants of any kind (oil, grease, water ...) that adhere to the test item will find their way into the pump and damage it.

- ▶ Ensure that the mating faces are absolutely clean.
 - ▶ Clean the connections if necessary.
 - ▶ Clean the test item and reference instrument before mounting.
- ▶ To mount or dismount a pressure gauge to the test connections ① a suitable spanner has to be used. The spanner has to put only to the spanner flats. Otherwise the pressure gauge or the comparison test pump can be damaged.
 - ⇒ Ensure that the lower part of the gauge connection is not rotated as this may release the gauge stand from the CPP120-X.

6. Commissioning, operation

EN



6.4.2 Connection of external pressure/vacuum supply



WARNING!

Physical injuries and damage to property and the environment caused by incorrect air/gas supply

Improper handling can result in considerable injury and damage to equipment.

- ▶ Use only dry, clean and oil-free gases (e.g. nitrogen cylinder)
- ▶ Use a pressure reducer to reduce the supply pressure.
 - ⇒ The supply pressure should be just above the required working pressure max. 120 bar [1,740 psi].
- ▶ Do not use oxygen in the tester.
- ▶ If no suitable pressure supply is available use a hand test pump for pressure or vacuum supply.



CAUTION!

Damage of the test item or reference pressure measuring instrument caused by too high pressure supply

- ▶ Ensure that the inlet valve (3) is closed and outlet valve (4) is open before the CPP120 is pressurised with initial pressure.

6. Commissioning, operation

EN

The connection for the pressure or vacuum supply line is situated at the rear of the comparison test pump.

- The inlet manifold (8) has only one connection for the vacuum and pressure supply.
- It can be connected either to a pressure supply or a vacuum supply.
- The inlet manifold (8) is tapped G ¼ thread, with a spotface machined in it for sealing purposes.
- Use a suitable seal (Item no. 38 in sealing and maintenance set).



Optionally, an inlet manifold (8) adapter is supplied which when fitted with the above suitable seal will give an alternative input connection of ¼ NPT.

6.4.3 Post-assembly test



CAUTION!

Damage to the hand test pump due to contamination

Contaminants of any kind (oil, grease, water ...) that adhere to the test item will find their way into the pump and damage it.

- ▶ Ensure that the mating faces are absolutely clean.
- ▶ Clean the connections if necessary.
- ▶ Clean the test item and reference instrument before mounting.

1. Carry out a test calibration of a known pressure gauge (see chapter 6.5 "Procedure (positive pressure and vacuum operation)") to ensure that the unit is working correctly.
⇒ Select a pressure gauge which covers the maximum working pressure of the CPP120-X.
2. Apply maximum working pressure of 120 bar [1,740 psi] to system.
⇒ Close the outlet valve (4) by turning clockwise.
⇒ Open the inlet valve (3) carefully by turning anti-clockwise.
3. Release pressure and remove test gauges.
⇒ Close the inlet valve (3) by turning clockwise.
⇒ Open the outlet valve (4) carefully by turning anti-clockwise.
4. The comparison test pump CPP120-X is now ready to use.

6.5 Procedure (positive pressure and vacuum operation)

1. Fit instrument to be tested to a test connection (1).
⇒ Use a suitable adapter if needed (see chapter 11 "Accessories").
2. Connect the reference measuring instrument to the other test connection (1).
⇒ Use a suitable adapter if needed (see chapter 11 "Accessories").

6. Commissioning, operation



For tapered threaded connection PTFE tape should be used for producing an effective seal.

EN

It is not recommended that liquid sealants are used as they may contaminate the comparison test pump.

Before using the CPP120-X pneumatic comparison test pump check:

- All pressure connections are correctly fitted and tightened.
- The volume adjuster (5) is approximately at its mid-position.
⇒ Adjust the volume adjuster (5) by turning clockwise or anti-clockwise.
- Ensuring the external pressure or vacuum supply is correctly connected and regulated (see chapter 6.4.2 "Connection of external pressure/vacuum supply").

6.5.1 Increasing pressure



CAUTION!

Damage of the vent and inlet valve caused by overtightening

Overtightening of the valves will result a shorter working life and thus involve maintenance.

- ▶ The inlet valve and outlet valve are of a 'soft seat' design and should only require to be finger-tight to achieve an effective seal.



CAUTION!

Damage of the test item or reference pressure measuring instrument caused by too high pressure

The test item and reference pressure measuring instrument with pressure ranges < 120 bar [< 1,740.5 psi] can be damaged through the pressure generation.

- ▶ Do not exceed the maximum pressure limit of the test item or reference pressure measuring instrument.
- ▶ Only generate a pre-pressure that is less than the required pressure.
- ▶ Use the fine volume adjuster to reach the exact required pressure.

1. Close the outlet valve (4) by turning clockwise.
2. Open the inlet valve (3) carefully by turning anti-clockwise.
3. As you slowly reach the desired calibration pressure begin to close the inlet valve (3) by turning clockwise.
⇒ Close inlet valve (3) and use the volume adjuster (5) to obtain desired pressure point required.

6. Commissioning, operation



Use the system pressure gauge as an indication to see when the required pressure is reached.

EN

6.5.2 Decreasing pressure

1. Open the outlet valve ④ carefully by turning anti-clockwise.
2. As you slowly reach the desired calibration pressure begin to close the outlet valve ④ by turning clockwise.
⇒ Close outlet valve ④ and use the volume adjuster ⑤ to obtain desired pressure point required.

6.6 Cleaning gauges

This cleaning/degreasing process is only suitable for use with pressure gauges with either phosphor bronze, beryllium copper, monel or stainless steel bourdon tubes in the form of a "C".

It is not advisable to degrease pressure gauges with steel bourdon tubes since a very small amount of corrosion on the bore of a bourdon tube can cause inaccuracies of reading and early failure of the tube.



Wear safety goggles!

Protect eyes from flying particles and liquid splashes.

This method of cleaning is not suitable for use with pressure gauges which are fitted with coiled bourdon tubes, nor any measuring instruments which are to be used on oxygen, as functioning without oil is not assured. In this case please contact DH-Budenberg/WIKA.

Equipment

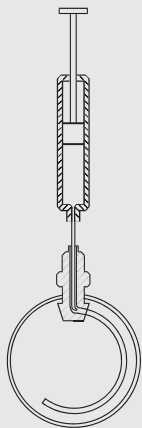
This consists of a syringe and a special needle with the point bent through 90°.

6. Commissioning, operation / 7. Faults

Instructions

1. Fill syringe with solvent (suitable cold degreasing liquid).
2. With gauge connection pointing upwards put needle into connection and insert by feel the point into the hole leading to the tube.
3. Inject the solvent. Ideally the tube should be half full.
4. Shake gauge in various attitudes to agitate solvent.
5. Suck solvent back into syringe, holding gauge at an angle.
6. Check that solvent removed is clean. To be sure that all oil has been removed, repeat cleaning process until solvent removed from gauge is as clean as that put in.

Filling with solvent



Removing the solvent



Cleaning of gauges

7. Faults

Personnel: Skilled personnel

Protective equipment: safety goggles

Tools: open-end wrench

Only use original parts (see chapter 11 "Accessories").



For contact details, please see chapter 1 "General information" or the back page of the operating instructions.

7. Faults



CAUTION!

Physical injuries and damage to property and the environment

If faults cannot be eliminated by means of the measures listed, the comparison test pump must be taken out of operation immediately.

- ▶ Ensure that pressure is no longer present and protect against accidental commissioning.
- ▶ Contact the manufacturer.
- ▶ Wear the requisite protective equipment (see chapter 3.5 "Personal protective equipment").
- ▶ If a return is needed, please follow the instructions given in chapter 8.3 "Cleaning".

EN

Faults	Causes	Measures
Test pump does not build up pressure	Pressure supply not connected	Check whether pressure supply is connected and gas cylinder is full.
	Connection to inlet manifold leaking	Check for leaks with soapy water.
	Blocked inlet valve	Check the seals. If necessary return to manufacturer.
	Test connection leaking	Check the seals. Replace if necessary.
	Inlet valve handle is loose	Check whether the screw has loosened, tighten the screw if necessary.
	Incorrect operation	Ensure that correct operating procedure is being followed (see chapter 6 "Commissioning, operation").
	If unable to locate a cause	Return to manufacturer.
Test pump build up pressure, but pressure drops down again	The needle valve of the outlet valve does not seal. ⇒ Recognizable by hissing sound	Tighten outlet valve again. Check the seals. Replace if necessary.
	Missing or damaged seals. ⇒ Recognizable by hissing sound	Check the sealings for correctly seating and wear. Replace if necessary.
	If unable to locate a cause	Return to the manufacturer.

8. Maintenance, corrective maintenance and cleaning

8. Maintenance, corrective maintenance and cleaning

Personnel: Skilled personnel

Protective equipment: safety goggles

Tools: open-end wrench

Repairs must only be carried out by the manufacturer.
Only use original parts (see chapter 11 "Accessories").



For contact details, please see chapter 1 "General information" or the back page of the operating instructions.



WARNING!

Physical injuries and damage to property and the environment

Before starting any maintenance work, ensure that pressure is no longer present.

- ▶ Ensure that the pressure/vacuum supply is depressurised.
- ▶ Ensure that CPP120-X is depressurised.
- ▶ Open the inlet valve ③ and outlet valve ④ by turning anti-clockwise.

8.1 Periodic maintenance

Cleaning the unit and visual inspection of damages is the only periodic maintenance required. With normal use, no further maintenance should be necessary. If required, the system can be returned to the manufacturer for re-conditioning.

If unable to return the unit, details on stripping the unit and replacing the spare parts are given in the corrective maintenance section 8.2 "Corrective maintenance".

Information about the revision can also be found in this chapter.

- The pump should be wiped down with a damp cloth to remove any dirt, debris which may enter into the tester.
- All handles should be checked to ensure they are correctly fastened to their spindles.
- The gap between the inside edge of the cover and the base should be inspected to ensure released pressure can vent away from the case.
- The volume adjuster spindle should be lightly smeared with a silicone grease if it becomes difficult to operate.



Fluids, which attack ABS, should be used with caution. Continual immersion of the cover in such fluids will cause deterioration. Spillage's should be wiped off immediately.

8. Maintenance, corrective maintenance and cleaning

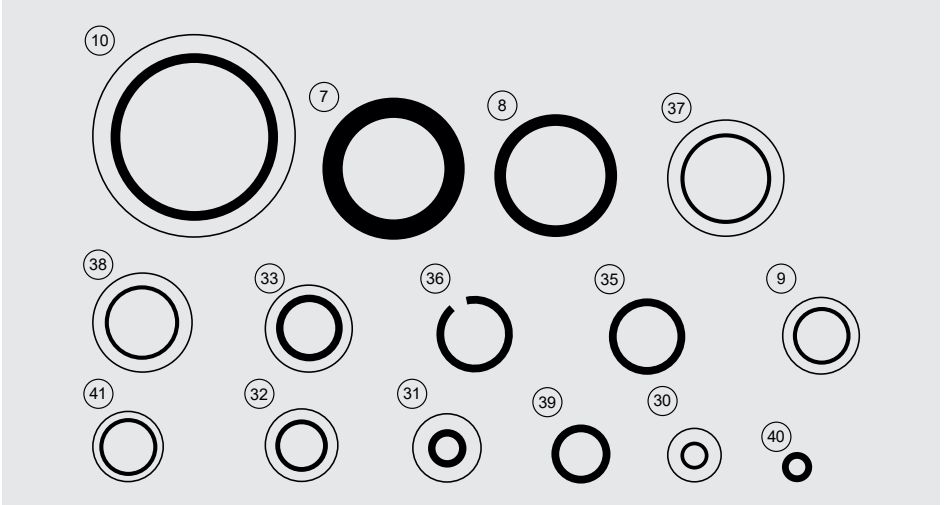
8.2 Corrective maintenance

8.2.1 General

This section contains details of stripping the unit and replacing the sealings which are included in the "Set of spare sealing gaskets and O-rings for instrument base" (see chapter 11 "Accessories").

EN

Spare seal identification chart



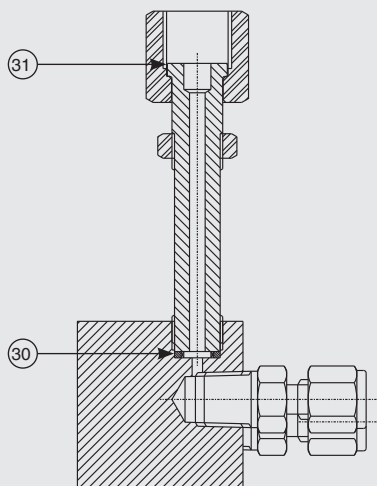
No.	Qty.	Description
7	4	O-ring
8	1	O-ring
9	1	Sealing ring USIT
10	2	O-ring
30	2	Sealing ring USIT
31	5	Sealing ring USIT
32	2	Sealing ring USIT
33	4	Sealing ring USIT

No.	Qty.	Description
35	2	O-ring
36	2	Retaining ring
37	2	Sealing ring USIT
38	2	Sealing ring USIT
39	2	Gland packing
40	2	O-ring for seal seat
41	2	Sealing ring USIT

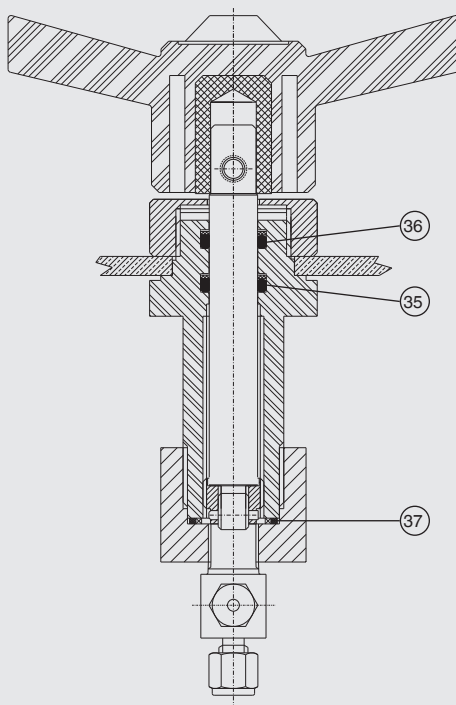
8. Maintenance, corrective maintenance and cleaning

Location of sealings

Inlet manifold



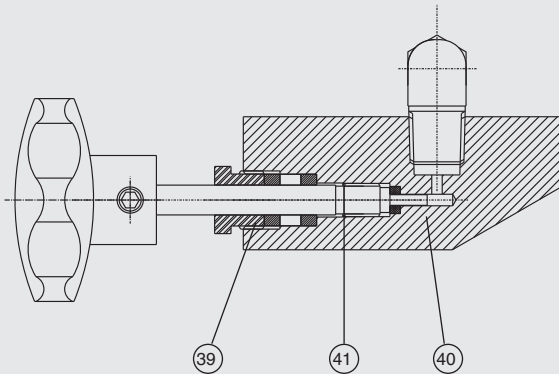
Volume adjuster



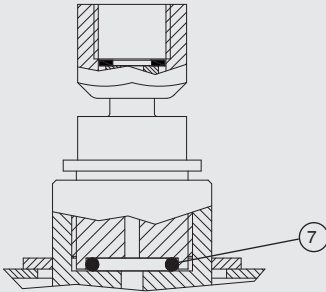
8. Maintenance, corrective maintenance and cleaning

EN

Inlet/Outlet valve



Test item connection



Sealings which are not shown in the drawings above, are needed for the model CPS3500 piston cylinder system.

Further information can be found in the operating instruction of the model CPB3500 dead weight tester.

8. Maintenance, corrective maintenance and cleaning

8.2.2 Removing the cover

1. Make sure that the pressure supply is depressurised.
2. Disconnect the pressure supply.
3. Unscrew the both test connections ① from the connection blocks ②.
4. Remove the hand wheels of the inlet valve ③, outlet valve ④ and the volume adjuster ⑤.
5. Remove the four plastic cover in the four extreme corners and unscrew the screws below.
6. Lift cover from back and slide forwards to clear volume adjuster.

8.2.3 Replacing seals on inlet valve and outlet valve

1. Remove valve handles off inlet valve ③ and outlet valves ④.
2. Unscrew gland nut, and turn spindle anti-clockwise until spindle, gland packing and sealing ring USIT are removed from the valve body.
3. Remove the old O-ring with a suitable hooked tool.
4. Check that the seal seat is clean and free from any marks, indents etc.
5. Insert new O-ring into the seal seat of the valve body. Make sure that the O-ring is correctly located into the groove.
6. Re-assemble sealing ring USIT, gland packing and spindle in the correct sequence.
⇒ Make sure that the parts are clean and free of any contamination.

8.2.4 Inlet valve and outlet valve testing procedure

1. Close test connections ① with blind plugs.
2. Close inlet valve ③ and outlet valve ④.
3. Connect an external pressure supply to the CPP120-X
⇒ See chapter 6.4.2 "Connection of external pressure/vacuum supply".
4. Open the inlet valve ③ carefully, till the maximum pressure of 120 bar [1,740 psi] is reached. Then close the inlet valve ③ again.
⇒ The system pressure gauge ⑥ will indicate the current pressure
5. Observe the system pressure gauge ⑥ for 5 ... 10 minutes to ensure no pressure is leaking.
⇒ If the pressure continuously drops down the seal seat of the outlet valve ④ could be damaged.
6. Check the gland nut of the inlet valve ③ for any leaks with the help of leak detection spray.
⇒ If a leakage is indicated the seal seat of the valve could be damaged.

8. Maintenance, corrective maintenance and cleaning

EN

8.2.5 Volume adjuster

The volume adjuster should not be dismantled due to the complexity of the internal seals arrangement unless performed by an experienced technician as special tools are needed for assembly/re-assembly. WIKA can re-new seals/clean if required.



For contact details, please see chapter 1 "General information" or the back page of the operating instructions.

8.2.6 Replace sealing of system pressure gauge



CAUTION!

Damage to the system pressure gauge

Incorrect replacing the system pressure gauge can result in damaging the pressure gauge.

- ▶ Only use original parts (see chapter 11 "Accessories").
- ▶ Ensure that the measuring range of the pressure gauge covers the maximum pressure range of 120 bar [1,740 psi].
- ▶ Ensure that the process connection of the pressure gauge fits correctly.
⇒ No excess force is necessary!
- ▶ Only use suitable open-end wrench between the process connection and the case of the pressure gauge and the union nut of the CPP120-X.

1. Place a suitable open-end wrench between the process connection and the case of the pressure gauge and on the union nut to loose the system pressure gauge ⑥ from the comparison test pump.
2. Replace the sealing ring USIT at the bottom of the union nut.
3. Mount system pressure gauge ⑥ correctly.

8. Maintenance, corrective maintenance and cleaning

8.3 Cleaning

EN



CAUTION!

Physical injuries and damage to property and the environment

Improper cleaning may lead to physical injuries and damage to property and the environment. Residual media in the dismantled instrument can result in a risk to personnel, the environment and equipment.

- ▶ Use the requisite protective equipment.
- ▶ Carry out the cleaning process as described below.

1. Before cleaning, correctly disconnect the instrument from the pressure supply.
2. Clean the instrument with a moist cloth.



Fluids, which attack ABS, should be used with caution. Continual immersion of the cover in such fluids will cause deterioration. Spillage's should be wiped off immediately.



CAUTION!

Damage to the instrument

Improper cleaning may lead to damage to the instrument!

- ▶ Do not use any aggressive cleaning agents.
- ▶ Do not use any hard or pointed objects for cleaning.

9. Dismounting, return and disposal

9. Dismounting, return and disposal

EN

Personnel: Skilled personnel

Protective equipment: safety goggles

Tools: open-end wrench

9.1 Dismounting



WARNING!

Physical injuries and damage to property and the environment through residual media

When dismantling, there is a danger from aggressive media and high pressures.

- ▶ Before storage of the dismantled instrument (following use) wash or clean it, in order to protect persons and the environment from exposure to residual media.
- ▶ Wear the requisite protective equipment.
- ▶ Only disconnect test and calibration installations once the system has been depressurised.

1. Open the inlet valve (3) and outlet valve (4) until there is no more pressure in the comparison test pump.
⇒ When the CPP120-X is depressurised the system pressure gauge (6) will show 0 bar.
2. Dismount the reference pressure measuring instrument and/or the test item.

9.2 Return

Strictly observe the following when shipping the instrument:

All instruments delivered to WIKA must be free from any kind of hazardous substances (acids, bases, solutions, etc.) and must therefore be cleaned before being returned.



WARNING!

Physical injuries and damage to property and the environment through residual media

Residual media in the comparison test pump can result in a risk to persons, the environment and equipment.

- ▶ With hazardous substances, include the material safety data sheet for the corresponding medium.
- ▶ Clean the instrument, see chapter 8.3 "Cleaning".

9. Dismounting, return and disposal

When returning the instrument, use the original packaging or a suitable transport packaging.

EN

To avoid damage:

3. Place the instrument along with shock-absorbent material in the packaging.
4. Place shock-absorbent material evenly on all sides of the transport packaging.
5. If possible, place a bag containing a desiccant inside the packaging.
6. Label the shipment as carriage of a highly sensitive measuring instrument.



Information on returns can be found under the heading “Service” on our local website.

9.3 Disposal

Incorrect disposal can put the environment at risk.

Dispose of instrument components and packaging materials in an environmentally compatible way and in accordance with the country-specific waste disposal regulations.



Do not dispose of with household waste. Ensure a proper disposal in accordance with national regulations.

10. Specifications

10. Specifications

Specifications	Model CPP120-X
Pressure range	0 ... 120 bar [0 ... 1,740 psi]
Permissible pressure supply	
Pressure supply	100 % of test item pressure range, max. 120 bar [1,740 psi]
Pressure transmission medium	Clean, dry and non-corrosive gases (e.g. Air or Nitrogen)
Pressure connections	
Test connections	2 x G 1 female thread incl. 2 x test item connections with G ½ female thread, loose union connection
Distance between test connections	288 mm [11.34 in]
External pressure supply connection	G ¼ B female thread
Fine adjustment	Volume adjuster
Material	
Wetted parts	Austenitic stainless steel, high tensile brass, copper, nitrile rubber
Case	ABS material
Permissible ambient conditions	
Operating temperature	0 ... 40 °C [32 ... 104 °F]
Storage temperature	-10 ... +50 °C [14 ... 122 °F]
Instrument base	
Dimensions (W x D x H)	510 x 490 x 210 mm [20.08 x 19.29 x 8.27 in], for details, see technical drawings
Weight	22 kg [48.51 lbs]

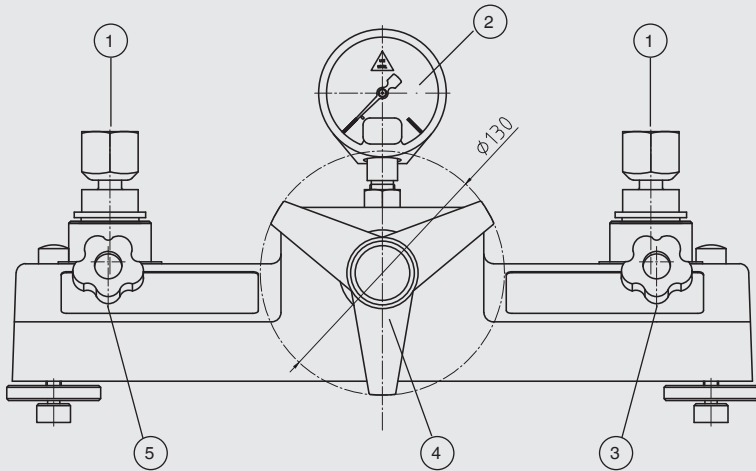
EN

For further specifications see WIKA data sheet CT 91.03 and the order documentation.

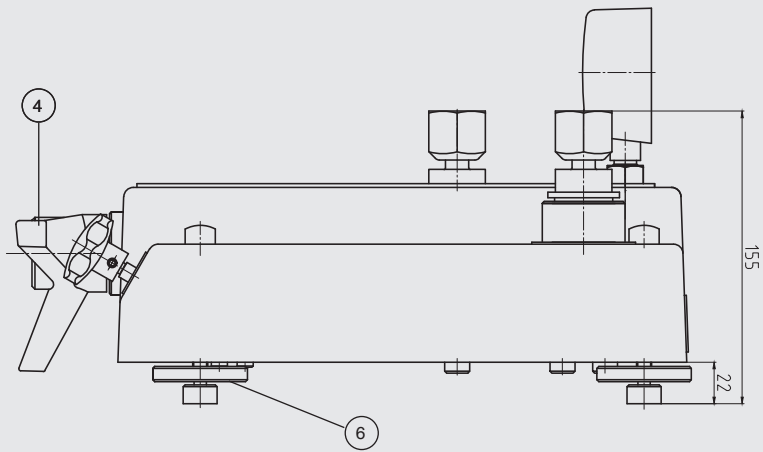
10. Specifications

Dimension in mm

Front view



Side view



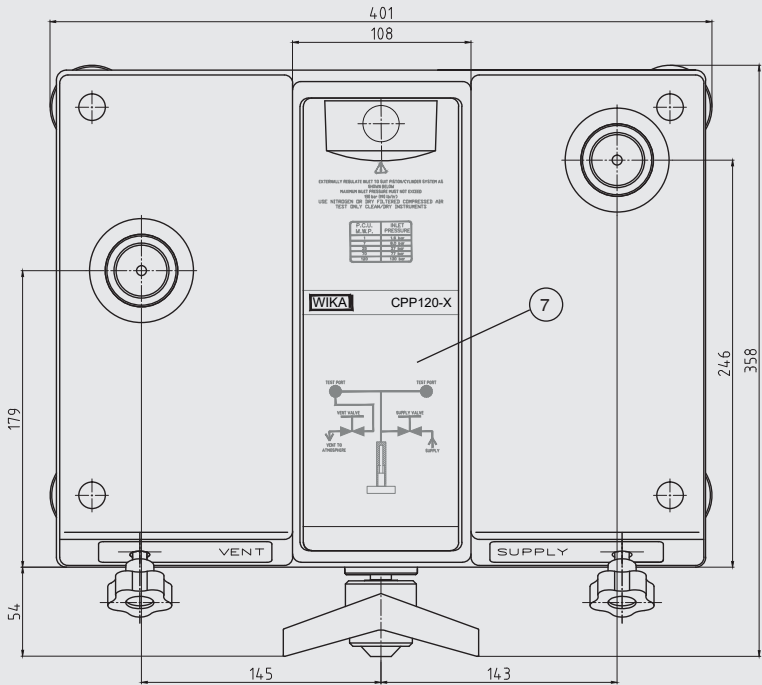
EN

08/2020 EN/DE

10. Specifications

EN

Top view

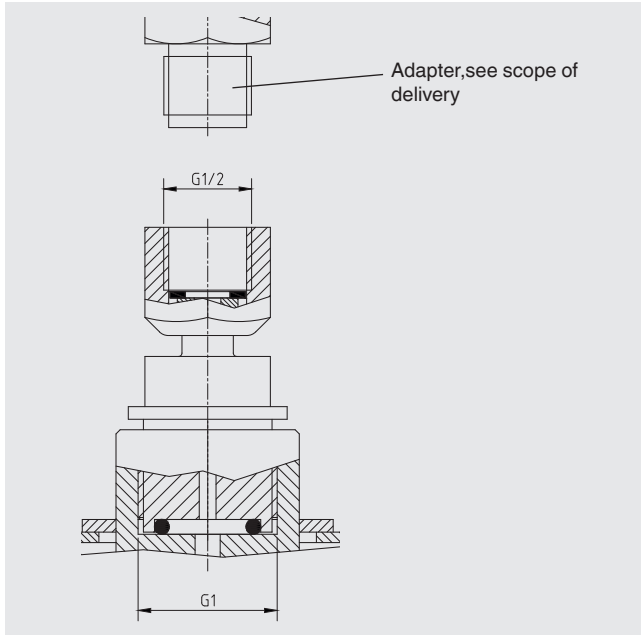


- ① Test item connections
- ② Pressure gauge
- ③ Inlet valve
- ④ Volume adjuster with star handle
- ⑤ Outlet valve
- ⑥ Rotatable feet
- ⑦ Pressure generation control schematic

10. Specifications

Test item connection

EN




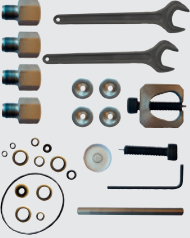
11. Accessories

11. Accessories

	Order code	
Description	CPP-A-3-	
	<p>Storage case incl. foam insert with free spaces for model CPP120-X</p>	-30-
	<p>Adapter set “BSP” for G ½ B male test item connector to G ⅛, G ¼, G ⅜ and G ½ female “NPT” for test item connection G ½ B male on ⅛ NPT, ¼ NPT, ⅜ NPT and ½ NPT female</p>	-31-
	<p>“metric” for test item connection G ½ B male on M12 x 1.5 and M20 x 1.5 female</p>	-32-
	<p>Angle connection 90° for test items with back mounting connection, NBR sealing</p>	-34-
	<p>Test item connection G 1 B male to G ½ female, rotating</p>	-35-
	<p>Dual test item connection G 1 B male to G ½ female, rotating (model 27)</p>	-36-
	<p>Separator 0 ... 35 bar (Model 35)</p>	-37-

11. Accessories

EN

	Order code
Description	CPP-A-3-
	<p>Sealing and maintenance set Standard version for instrument base</p> <p>-38-</p>
	<p>Tool set Consisting of open-ended spanner, replacement seals, pointer remover and pointer punch</p> <p>-39-</p>
Ordering information for your enquiry:	
<p>1. Order code: CPP-A-3 2. Option:</p>	<p>↓ []</p>

WIKA accessories can be found online at www.wika.com.

Inhalt

1. Allgemeines	43
2. Kurzübersicht	44
2.1 Überblick	44
2.2 Beschreibung.	44
2.3 Lieferumfang	45
3. Sicherheit	46
3.1 Symbolerklärung	46
3.2 Bestimmungsgemäße Verwendung	46
3.3 Fehlgebrauch.	47
3.4 Personalqualifikation	47
3.5 Persönliche Schutzausrüstung	48
3.6 Beschilderung, Sicherheitskennzeichnungen	49
4. Aufbau und Funktion	50
4.1 Beschreibung.	50
4.2 Gerätebasement	50
4.3 Druckversorgung	53
4.4 Funktion	53
5. Transport, Verpackung und Lagerung	55
5.1 Transport	55
5.2 Verpackung und Lagerung	55
6. Inbetriebnahme, Betrieb	56
6.1 Auspacken der pneumatischen Vergleichsprüfpupe.	56
6.2 Umgebungsbedingungen	56
6.3 Aufstellen der Vergleichsprüfpumpe	56
6.4 Zusammenbau	57
6.4.1 Anschluss des Prüflings und des Referenzmessgerätes	57
6.4.2 Anschließen einer externen Druck oder Vakuumversorgung.	58
6.4.3 Prüfung nach dem Zusammenbau	59
6.5 Vorgehensweise (Überdruck- und Vakuumbetrieb)	59
6.5.1 Druck erhöhen	60
6.5.2 Druck reduzieren.	61
6.6 Reinigung der Messgeräte	61
7. Störungen	62
8. Wartung, Instandhaltung und Reinigung	64
8.1 Periodische Wartung	64
8.2 Instandhaltung	65

8.2.1 Allgemein65
8.2.2 Deckel abnehmen68
8.2.3 Austausch der Dichtungen am Einlass- und Auslassventil68
8.2.4 Anleitung zum Testen des Einlass- und Auslassventils68
8.2.5 Volumenverdränger69
8.2.6 Austausch der Dichtungen am Systemdruckmanometer69
8.3 Reinigung70
9. Demontage, Rücksendung und Entsorgung	71
9.1 Demontage71
9.2 Rücksendung.71
9.3 Entsorgung72
10. Technische Daten	73
11. Zubehör	77

1. Allgemeines

- Die in der Betriebsanleitung beschriebene pneumatische Vergleichsprüfpumpe Typ CPP120-X wird nach dem aktuellen Stand der Technik gefertigt. Alle Komponenten unterliegen während der Fertigung strengen Qualitäts- und Umweltkriterien. Unsere Managementsysteme sind nach ISO 9001 und ISO 14001 zertifiziert.
- Diese Betriebsanleitung gibt wichtige Hinweise zum Umgang mit dem Gerät. Voraussetzung für sicheres Arbeiten ist die Einhaltung aller angegebenen Sicherheitshinweise und Handlungsanweisungen.
- Die für den Einsatzbereich des Gerätes geltenden örtlichen Unfallverhütungsvorschriften und allgemeinen Sicherheitsbestimmungen einhalten.
- Die Betriebsanleitung ist Produktbestandteil und muss in unmittelbarer Nähe des Gerätes für das Fachpersonal jederzeit zugänglich aufbewahrt werden. Betriebsanleitung an nachfolgende Benutzer oder Besitzer des Gerätes weitergeben.
- Das Fachpersonal muss die Betriebsanleitung vor Beginn aller Arbeiten sorgfältig durchgelesen und verstanden haben.
- Es gelten die allgemeinen Geschäftsbedingungen in den Verkaufsunterlagen.
- Technische Änderungen vorbehalten.

- Weitere Informationen:

DH-Budenberg

A division of WIKA Instruments Ltd.

- | | |
|---------------------------|--|
| - Internet-Adresse: | www.wika.de / www.wika.com |
| - Zugehöriges Datenblatt: | CT 91.03 |
| - Anwendungsberater: | Tel: +44 844 4060086
Fax: +44 844 4060087
sales@dh-budenberg.co.uk |

- EU-Importeur

WIKA Alexander Wiegand SE & Co. KG

- | | |
|---------------------------|---|
| - Internet-Adresse: | www.wika.de / www.wika.com |
| - Zugehöriges Datenblatt: | CT 91.03 |
| - Anwendungsberater: | Tel.: +49 9372 132-0
Fax: +49 9372 132-406
info@wika.de |

2. Kurzübersicht

2. Kurzübersicht

2.1 Überblick



- ① Prüflingsanschluss mit Innengewinde G ½, freilaufende Überwurfmutter
- ② Anschlussblock G 1 Innengewinde
- ③ Einlassventil
- ④ Auslassventil
- ⑤ Volumenschieber
- ⑥ Systemdruckmanometer
- ⑦ Drehbare Füße
- ⑧ Eingangsverteiler (Rückseite)

2.2 Beschreibung

Die Vergleichsprüfpumpe Typ CPP120-X ist eine pneumatische Vergleichsprüfpumpe zur Druckbereitstellung bis 120 bar [1.740 psi]. Sie ist technisch identisch mit dem Gerätebasement der Druckwaage Typ CPB3500.

Mit den beiden integrierten Feindosierventilen für Druckeinlass und -auslass lassen sich die einzelnen Prüfpunkte einfach regeln.

Für die exakte Einstellung zur genauen Vergleichsprüfung besitzt die CPP120-X einen präzise regulierbaren Volumenschieber..

2. Kurzübersicht

DE

Der Anschluss für die erforderliche externe Druck- oder Vakuumquelle befindet sich an der Geräterückseite.

Schließt man das zu prüfende Gerät und ein hinreichend genaues Referenz-Druckmessgerät an der Prüfpumpe an, so wirkt auf beide Messgeräte der gleiche Druck. Durch Vergleich der beiden Messwerte bei beliebigen Druckwerten kann eine Überprüfung der Genauigkeit bzw. eine Justage des zu prüfenden Druckmessgerätes erfolgen.

Die beiden Prüfanschlüsse sind mit einer freilaufenden Überwurfmutter mit G ½-Innengewinde ausgestattet. Bei Kalibrierung von Geräten mit anderen Anschlussgewinden sind entsprechende Gewintheadapter als Zubehör erhältlich.

Jede Vergleichsprüfpumpe CPP120-X kann durch die Erweiterung um ein Kolbenzylindersystem (CPS3500) und einem passenden Massensatz (CPM3500) als Druckwaage verwendet werden.

Die CPP120-X eignet sich insbesondere für den Einsatz im Labor, aber auch aufgrund Ihrer Robustheit für industrielle Anwendungen.

Die pneumatische Vergleichsprüfpumpe benötigt für den Betrieb eine externe pneumatische Druckversorgung. Die Druckversorgung muss sauber und trocken sein, daher empfiehlt sich der Einsatz einer Stickstoffflasche mit einem passenden Druckminderer. Alternativ kann auch gefilterte und getrocknete Druckluft verwendet werden. Ölrückstände oder Verschmutzungen durch eine nicht geeignete Druckversorgung können den reibungslosen Betrieb des Kolbenzylindersystem oder Gerätebasements stören.

2.3 Lieferumfang

- Gerätebasement
- Zwei Feindosierventile für Druckeinlass und -auslass oder Vakuum
- Volumenschieber zur Druckfeineinstellung
- Zwei Prüflingsanschlüsse mit Innengewinde G ½, freilaufende Überwurfmutter
- Anschluss für externe Druck- oder Vakuumquelle
- Adapterset für Prüfling auswählbar aus 3 verschiedenen Sets:
 - Adapterset „BSP“ G ½ außen auf G ⅜, G ¼", G ⅜ und G ½ innen
 - Adapterset „NPT“ G ½ außen auf ⅜ NPT, ¼ NPT, ⅜ NPT und ½ NPT innen
 - Adapterset „metrisch“ G ½ außen auf M12 x 1,5 und M20 x 1,5 innen
- Werkzeug- und Wartungsset

Lieferumfang mit dem Lieferschein abgleichen.

3. Sicherheit

3. Sicherheit

3.1 Symbolerklärung



WARNUNG!

... weist auf eine möglicherweise gefährliche Situation hin, die zum Tod oder zu schweren Verletzungen führen kann, wenn sie nicht gemieden wird.



VORSICHT!

... weist auf eine möglicherweise gefährliche Situation hin, die zu geringfügigen oder leichten Verletzungen bzw. Sach- und Umweltschäden führen kann, wenn sie nicht gemieden wird.



Information

... hebt nützliche Tipps und Empfehlungen sowie Informationen für einen effizienten und störungsfreien Betrieb hervor.

3.2 Bestimmungsgemäße Verwendung

Die pneumatische Vergleichsprüfpumpe, Typ CPP120-X dient zum Testen, justieren und kalibrieren von mechanischen und elektronischen Druckmessgeräten durch Vergleichsmessungen.

Das Gerät kann im Labor, Werkstatt oder vor Ort an der Messstelle verwendet werden.

Schließt man das zu prüfende Gerät und ein hinreichend genaues Referenz-Druckmessgerät an der Prüfpumpe an, so wirkt auf beide Messgeräte der gleiche Druck. Durch Vergleich der beiden Messwerte bei beliebigen Druckwerten kann eine Überprüfung der Genauigkeit bzw. eine Justage des zu prüfenden Druckmessgerätes erfolgen.

Die CPP120-X benötigt für den Betrieb eine externe pneumatische Druckversorgung. Die Druckversorgung muss sauber und trocken sein, daher empfiehlt sich der Einsatz einer Stickstoffflasche mit einem passenden Druckminderer.

Alternativ kann auch gefilterte und getrocknete Druckluft verwendet werden. Ölrückstände oder Verschmutzungen durch eine nicht geeignete Druckversorgung können den reibungslosen Betrieb des Kolbenzylindersystem oder Gerätebasements stören.

Dieses Gerät ist nicht für den Einsatz in explosionsgefährdeten Bereichen zugelassen!

Das Gerät ist ausschließlich für den hier beschriebenen bestimmungsgemäßen erwendungszweck konzipiert und konstruiert und darf nur dementsprechend verwendet werden.

3. Sicherheit

Die technischen Spezifikationen in dieser Betriebsanleitung sind einzuhalten. Eine unsachgemäße Handhabung oder ein Betreiben des Gerätes außerhalb der technischen Spezifikationen macht die sofortige Stilllegung und Überprüfung durch einen autorisierten WIKA-Servicemitarbeiter erforderlich.

Ansprüche jeglicher Art aufgrund von nicht bestimmungsgemäßer Verwendung sind ausgeschlossen.

DE

3.3 Fehlgebrauch



WARNUNG!

Verletzungen durch Fehlgebrauch

Fehlgebrauch des Gerätes kann zu gefährlichen Situationen und Verletzungen führen.

- ▶ Eigenmächtige Umbauten am Gerät unterlassen.
- ▶ Gerät nicht in explosionsgefährdeten Bereichen einsetzen.
- ▶ Gerät nicht mit flüssigen Medien betreiben.
- ▶ Gerät nicht für die Kalibrierung von Sauerstoffmessgeräten verwenden.
- ▶ Sauerstoff nicht als Druckversorgung verwenden.

Jede über die bestimmungsgemäße Verwendung hinausgehende oder andersartige Benutzung gilt als Fehlgebrauch.

3.4 Personalqualifikation



WARNUNG!

Verletzungsgefahr bei unzureichender Qualifikation

Unsachgemäßer Umgang kann zu erheblichen Personen- und Sachschäden führen.

- ▶ Die in dieser Betriebsanleitung beschriebenen Tätigkeiten nur durch Fachpersonal nachfolgend beschriebener Qualifikation durchführen lassen.

Fachpersonal

Das vom Betreiber autorisierte Fachpersonal ist aufgrund seiner fachlichen Ausbildung, seiner Kenntnisse der Mess- und Regelungstechnik und seiner Erfahrungen sowie Kenntnis der landesspezifischen Vorschriften, geltenden Normen und Richtlinien in der Lage, die beschriebenen Arbeiten auszuführen und mögliche Gefahren selbstständig zu erkennen.

3. Sicherheit



Es ist möglich, ein Training durch WIKA zur korrekten Handhabung des Gerätes zu erhalten. Bitte wenden Sie sich hierzu an Ihren lokalen Ansprechpartner für weitere Informationen.

DE

3.5 Persönliche Schutzausrüstung

Die persönliche Schutzausrüstung dient dazu, das Fachpersonal gegen Gefahren zu schützen, die dessen Sicherheit oder Gesundheit bei der Arbeit beeinträchtigen könnten. Beim Ausführen der verschiedenen Arbeiten an und mit dem Gerät muss das Fachpersonal persönliche Schutzausrüstung tragen.

Im Arbeitsbereich angebrachte Hinweise zur persönlichen Schutzausrüstung befolgen!

Die erforderliche persönliche Schutzausrüstung muss vom Betreiber zur Verfügung gestellt werden.



Schutzbrille tragen!

Schutz der Augen vor umherfliegenden Teilen und Flüssigkeitsspritzern.



Während dem Betrieb oder dem Durchführen von Wartung oder Reinigungsarbeiten an der Prüfpumpe ist es zwingend erforderlich eine Schutzbrille zu tragen!

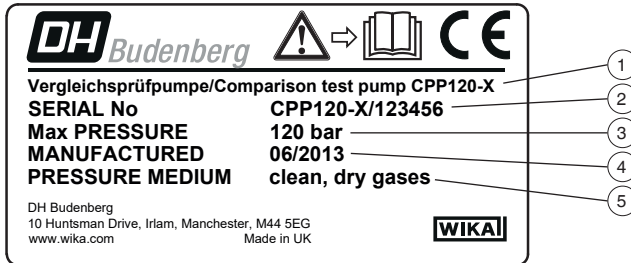
Auch die Hinweise in den einzelnen Kapiteln dieser Bedienungsanleitung beachten!

3. Sicherheit

3.6 Beschilderung, Sicherheitskennzeichnungen

Typenschild

Der Betreiber ist verpflichtet das Typenschild lesbar zu halten.



DE

- ① Typ
- ② Seriennummer
- ③ Druckbereich
- ④ Herstellungsdatum
- ⑤ Druckübertragungsmedium

Symbole



Vor Montage und Inbetriebnahme des Gerätes unbedingt die Betriebsanleitung lesen!

4. Aufbau und Funktion

4. Aufbau und Funktion

4.1 Beschreibung

Die pneumatische Vergleichsprüfpumpe Typ CPP120-X eignet sich insbesondere für den Einsatz im Labor, aber auch aufgrund Ihrer Robustheit für industrielle Anwendungen.

Die CPP120-X benötigt für den Betrieb eine externe pneumatische Druckversorgung. Die Druckversorgung muss sauber und trocken sein, daher empfiehlt sich der Einsatz einer Stickstoffflasche mit einem passenden Druckminderer. Alternativ kann auch gefilterte und getrocknete Druckluft verwendet werden. Ölrückstände oder Verschmutzungen durch eine nicht geeignete Druckversorgung können den reibungslosen Betrieb des Kolbenzylindersystem oder Gerätebasements stören.

4.2 Gerätebasement

Das Basement der CPP120-X besteht aus einer massiven Grundplatte aus Aluminium, die aus vier höhenverstellbaren Füßen, einer Feinregulierung, Stellventilen und Verrohrung zu zwei CrNi-Stahl-Druckanschlussblöcken besteht.

Die Verrohrung und die oben genannten Baugruppen sind mit einer ABS-Abdeckung versehen, die leicht zu reinigen ist.



Die Kennzeichnungsnummern der Bauteile (Zahl im Kreis), in den einzelnen Kapiteln, beziehen sich auf die nachfolgende Skizze.



4. Aufbau und Funktion

- ① **Prüflingsanschluss mit Innengewinde G ½, freilaufende Überwurfmutter**
Standardmäßig besitzen die Prüfanschlüsse ① ein G ½" Innengewinde. Zur Kalibrierung von Messgeräten mit anderen Gewindeanschlüssen stehen verschiedene Adapter zur Verfügung (siehe Kapitel 11 „Zubehör“).



Anstelle eines Prüfanschlusses ①, kann auch ein Kolbenzylindersystem Typ CPS3500 direkt an den Anschlussblock ② montiert werden. Dies ermöglicht die Verwendung der CPP120-X zusammen mit einem Massensatz Typ CPM3500 als pneumatische Druckwaage.

DE

- ② **Anschlussblock G 1" Innengewinde**
Die Versorgungsdruckleitungen von der Spindelpumpe sind mit zwei Druckanschlüssen am Basement verbunden.
Die Anschlussblöcke sind mit einem G 1" Innengewinde ausgestattet und ragen aus der Abdeckplatte des Basements hervor. An diese Gewindeanschlüsse können die mitgelieferten Prüfanschlüsse ① angeschraubt werden.

③ **Einlassventil**

Das Einlassventil regelt die Druckversorgung in das Gerätebasement.

- Durch Drehen des Einlassventils gegen den Uhrzeigersinn wird der Druck erhöht.
- Durch Drehen des Einlassventils im Uhrzeigersinn wird die Druckerhöhung gestoppt.



VORSICHT!

Beschädigung des Einlassventils durch zu starkes Anziehen

Zu starkes Anziehen des Ventils hat Auswirkungen auf die Lebensdauer und verursacht eine frühzeitige Wartung.

- ▶ Das Einlassventil ist ein "weichdichtendes" Nadelventil und darf nur fingerfest angezogen werden, um eine optimale Abdichtung zu erreichen.

4. Aufbau und Funktion

4 Auslassventil

Das Auslassventil regelt den Druckauslass aus dem Gerätebasement.

- Durch Drehen des Auslassventils gegen den Uhrzeigersinn wird der Druck reduziert.
- Durch Drehen des Auslassventils im Uhrzeigersinn wird die Druckreduzierung gestoppt.



VORSICHT!

Beschädigung des Auslassventils durch zu starkes Anziehen

Zu starkes Anziehen des Ventils hat Auswirkungen auf die Lebensdauer und verursacht eine frühzeitige Wartung.

- ▶ Das Auslassventil ist ein "weichdichtendes" Nadelventil und darf nur fingerfest angezogen werden, um eine optimale Abdichtung zu erreichen.

5 Volumenschieber

Um den benötigten Prüfdruck exakt und schnell anzuregeln, ist das Gerätebasement mit einem Volumenschieber ausgestattet. Dieser wird insbesondere bei der Kalibrierung von sehr genauen Messgeräten benötigt.

6 Systemdruckmanometer

Das Systemdruckmanometer gibt einen Anhaltspunkt um den ungefähren Druck, welcher sich derzeit im System befindet abzulesen.

- ⇒ Dieses Manometer ist nicht dafür geeignet, damit andere Messgeräte zu kalibrieren.

7 Drehbare Füße

Das Basement besteht aus vier höhenverstellbaren Füßen.

Durch Verstellen der vier Rändelschrauben an den Stellfüßen kann die Prüfpumpe mit der mitgelieferten Wasserwaage ausgerichtet werden.

8 Eingangsverteiler

Der Eingangsverteiler ist an der Rückseite der Aluminium Grundplatte angebracht. Die externe Druckversorgung wird hier angeschlossen.

4.3 Druckversorgung

Die CPP120-X benötigt eine vorgeregelt Druckversorgung eines sauberen und trockenem Gases.

Jede komprimierte pneumatische Druckquelle, stellt eine erhebliche potentielle Energie dar, und wie bei der Elektrizität müssen Vorsichtsmaßnahmen getroffen werden, um Unfälle zu vermeiden.



WARNUNG!

Körperverletzungen, Sach- und Umweltschäden durch unsachgemäße Druckversorgung

Fehlerhafte Verwendung können zur Gefährdung von Personen, Umwelt und Einrichtung führen.

- ▶ Nur trockene, saubere und ölfreie Gase verwenden (z. B. Stickstoffflasche)
- ▶ Druckminderer zum Einstellen des Vordrucks verwenden. Der Vordruck sollte nur leicht über dem benötigten Arbeitsdruck liegen max. 120 bar [1.740 psi].
- ▶ Kein Sauerstoff verwenden!
- ▶ Wenn keine geeignete Druckversorgung zur Verfügung steht, kann auch eine Handprüfpumpe zur Druck- oder Vakuumversorgung verwendet werden.

4.4 Funktion

Der Betrieb der CPP120-X erfolgt durch das Regeln einer pneumatischen Druck- oder Vakuumquelle mithilfe des Ein- (3) und Auslassventils (4).

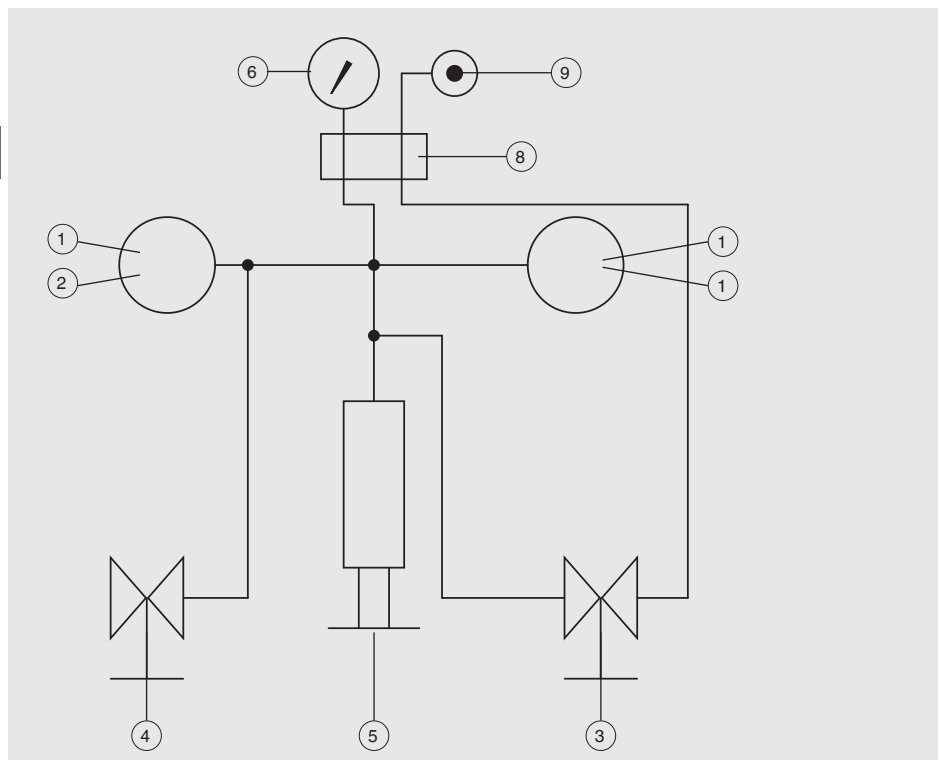
Mithilfe der beiden Regelventile (und dem Systemdruckmanometer) ist es möglich den ungefähr benötigten Druck einzustellen.

Um den exakt benötigten Druck einzustellen, muss der Volumenschieber (5) im oder gegen den Uhrzeigersinn gedreht werden. Um den Druck abzulassen, muss das Auslassventil (4) gegen den Uhrzeigersinn gedreht werden.

Es sind keine übermäßigen Kräfte notwendig um die Regelventile oder den Volumenverdränger zu bedienen.

4. Aufbau und Funktion

Schematische Darstellung



- ① Prüfanschluss
- ② Anschlussblock
- ③ Einlassventil
- ④ Auslassventil
- ⑤ Volumenschieber
- ⑥ Systemdruckmanometer
- ⑧ Eingangsverteiler
- ⑨ Druck-/Vakuumversorgung

5. Transport, Verpackung und Lagerung

5.1 Transport

Die pneumatische Vergleichsprüfpumpe Typ CPP120-X auf eventuell vorhandene Transportschäden untersuchen.

Offensichtliche Schäden unverzüglich mitteilen.



VORSICHT!

Beschädigungen durch unsachgemäßen Transport

Bei unsachgemäßem Transport können Sachschäden in erheblicher Höhe entstehen.

- ▶ Beim Abladen der Packstücke bei Anlieferung sowie innerbetrieblichem Transport vorsichtig vorgehen und die Symbole auf der Verpackung beachten.
- ▶ Bei innerbetrieblichem Transport die Hinweise unter Kapitel 5.2 „Verpackung und Lagerung“ beachten.

5.2 Verpackung und Lagerung

Verpackung erst unmittelbar vor der Montage entfernen.

Die Verpackung aufbewahren, denn diese bietet bei einem Transport einen optimalen Schutz (z. B. wechselnder Einbauort, Reparatursendung).

Zulässige Bedingungen am Lagerort:

- Lagertemperatur: -10 ... 50 °C
- Feuchtigkeit: 35 ... 85 % relative Feuchte (keine Betauung)

Folgende Einflüsse vermeiden:

- Direktes Sonnenlicht oder Nähe zu heißen Gegenständen
- Mechanische Vibration, mechanischer Schock (hartes Aufstellen)
- Ruß, Dampf, Staub und korrosive Gase
- Explosionsgefährdete Umgebung, entzündliche Atmosphären

Die CPP120-X in der Originalverpackung an einem Ort lagern, der die oben gelisteten Bedingungen erfüllt. Wenn die Originalverpackung nicht vorhanden ist, dann das Gerät wie folgt verpacken und lagern:

1. Das Gerät mit dem Dämmmaterial in der Verpackung platzieren.
2. Bei längerer Einlagerung (mehr als 30 Tage) einen Beutel mit Trocknungsmittel der Verpackung beilegen.

6. Inbetriebnahme, Betrieb

6. Inbetriebnahme, Betrieb

Personal: Fachpersonal

Schutzausrüstung: Schutzbrille

Werkzeuge: Gabelschlüssel

DE

Nur Originalteile verwenden (siehe Kapitel 11 „Zubehör“).

6.1 Auspacken der pneumatischen Vergleichsprüfpumpe

Die Verpackung der pneumatischen Vergleichsprüfpumpe Typ CPP120-X baldmöglichst nach der Lieferung öffnen und überprüfen, ob alle in der Packliste (siehe Kapitel 2.3 „Lieferumfang“) angegebenen Teile enthalten sind.

Die Teile beim Auspacken auf Transportschäden überprüfen. Sollten Teile fehlen, sofort DH-Budenberg/WIKA kontaktieren.

6.2 Umgebungsbedingungen

Wird die CPP120-X nicht in einem temperierten Labor aufgestellt, sollte der Aufstellort so weit als möglich folgenden Kriterien entsprechen:

- Räumlichkeit mit konstanter Temperatur ohne Zugluft und Hitze- oder Kältequellen
- Räumlichkeit ohne Lärm und Vibrationen oder häufig benutzter Durchgangswege
- Saubere, trockene Räumlichkeiten, frei von korrosiven Flüssigkeiten oder Dämpfen

Ein starker, stabiler und ebener Tisch oder Werkbank mit entsprechender Tragfähigkeit und dem benötigten Freiraum für die Bedienung des Systems ist erforderlich.

6.3 Aufstellen der Vergleichsprüfpumpe

Befestigen der CPP120-X an der Werkbank

Die CPP120-X auf eine feste, ebene Fläche (Tisch oder Werkbank) mit etwa 0,9 m [35,4 in] Höhe montieren. Die Mittellinie der vorderen Stellfüße der Einheit ca. 40 mm von der Vorderkante der Werkbank entfernt aufstellen, um einen entsprechenden Freiraum für den Volumenschieber (5) sicherzustellen.

1. Die Vergleichsprüfpumpe mit den 4 Stellfüßen auf die Werkbank stellen und darauf achten, dass die Welle des Volumenschiebers (5) über die Vorderkante der Werkbank hinausragt.
2. Durch Verstellen der vier Rändelschrauben an den Stellfüßen, die Prüfpumpe mit der mitgelieferten Wasserwaage ausrichten.



Wird die Vergleichsprüfpumpe Typ CPP120-X als Druckwaage in Verbindung mit einem Kolbenzylindersystem Typ CPS3500 verwendet, sollte das Ausrichten erst nach dem montieren des Kolbenzylindersystems erfolgen. Die Wasserwaage sollte dann auf den Massenträger während dem Ausrichten platziert werden.

6.4 Zusammenbau

6.4.1 Anschluss des Prüflings und des Referenzmessgerätes

- ▶ Das zu prüfende Gerät und das Referenzmessgerät werden in die beiden Prüfanschlüsse ① eingeschraubt und orientiert.
 - ⇒ Die Reihenfolge spielt hierbei keine Rolle.
 - ⇒ Es sind keine übermäßigen Kräfte notwendig.

Standardmäßig besitzen die Prüfanschlüsse ① ein G ½ Innengewinde. Zur Kalibrierung von Messgeräten mit anderen Gewindeanschlüssen stehen verschiedene Adapter zur Verfügung (siehe Kapitel 11 „Zubehör“).



Bei Verwendung von Gewindeadaptern ist zunächst der Gewindeadapter druckdicht mit dem Prüfling zu verbinden. Anschließend kann der Prüfling mit montiertem Adapter in den Prüfanschluss ① eingesetzt und orientiert werden.

- ▶ Vor dem Anschließen des Prüflings und des Referenzmessgerätes die Dichtung in den beiden Prüfanschlüssen ① auf richtigen Sitz und Verschleiß überprüfen.
 - ⇒ Dichtungen erneuern wenn notwendig.

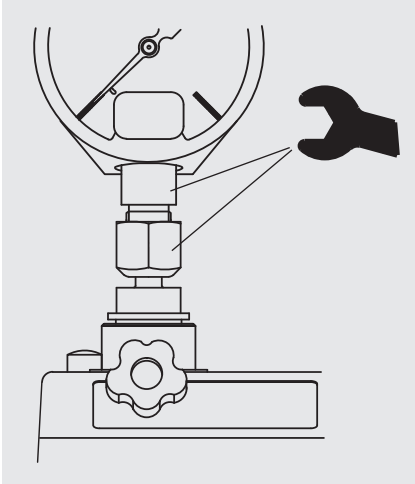


VORSICHT!

Beschädigung der Prüfpumpe durch Verschmutzung

Verunreinigungen jeglicher Art (Öl, Fett, Wasser ...), die am Prüfling oder Referenzmessgerät anhaften, gelangen in die Pumpe und beschädigen diese.

- ▶ Darauf achten, dass die Dichtflächen absolut sauber sind.
 - ▶ Wenn notwendig, Anschlüsse reinigen.
 - ▶ Prüfling und Referenzgerät vor dem Anschließen reinigen.
- ▶ Für die Montage und Demontage der Druckmessgeräte an den Prüfanschlüssen ① einen passenden Gabelschlüssel verwenden. Den Gabelschlüssel nur an die dafür vorgesehen Schlüsselflächen ansetzen. Andernfalls kann das Druckmessgerät oder die Vergleichsprüfpumpe beschädigt werden.
 - ⇒ Darauf achten, dass der untere Teil des Druckanschlusses dabei nicht gedreht wird, da dieser sich von der CPP120-X lösen könnte.



6.4.2 Anschließen einer externen Druck oder Vakuumversorgung



WARNING!

Körperverletzungen, Sach- und Umweltschäden durch unsachgemäße Druckluft-/Gasversorgung

Fehlerhafte Verwendung können zur Gefährdung von Personen, Umwelt und Einrichtung führen.

- ▶ Nur trockene, saubere und ölfreie Gase verwenden (z. B. Stickstoffflasche)
- ▶ Druckminderer zum Einstellen des Vordrucks verwenden.
⇒ Der Vordruck sollte nur leicht über dem benötigten Arbeitsdruck liegen
max. 120 bar [1.740 psi].
- ▶ Kein Sauerstoff verwenden!
- ▶ Wenn keine geeignete Druckversorgung zur Verfügung steht, kann auch eine Handprüfpumpe zur Druck- oder Vakuumversorgung verwendet werden.



VORSICHT!

Beschädigung des Prüflings oder Referenzmessgerätes durch eine zu hohe Druckversorgung

- ▶ Sicherstellen, dass das Einlassventil ③ geschlossen und das Auslassventil ④ geöffnet ist, bevor die CPP120-X mit dem Vordruck beaufschlagt wird.

6. Inbetriebnahme, Betrieb

Der Anschluss für eine Druck- oder Vakuumversorgung befindet sich auf der Rückseite der Vergleichsprüfpumpe.

- Der Eingangsverteiler (8) besitzt nur einen Anschluss für eine Druck- oder Vakuumversorgung.
- Es kann entweder eine Druckversorgung oder eine Vakuumversorgung angeschlossen werden.
- Der Eingangsverteiler (8) hat ein G ¼ Innengewinde mit innen liegender Dichtfläche.
- Passende Dichtung verwenden (Teil Nr. 38 im Dichtungs- und Wartungssatz).

DE



Optional wird ein Anschlussadapter mit passender Dichtung auf ein ¼ NPT Innengewinde, für den Anschluss am Eingangsverteiler (8), mitgeliefert.

6.4.3 Prüfung nach dem Zusammenbau



VORSICHT!

Beschädigung der Prüfpumpe durch Verschmutzung

Verunreinigungen jeglicher Art (Öl, Fett, Wasser ...), die am Prüfling oder Referenzmessgerät anhaften, gelangen in die Pumpe und beschädigen sie.

- ▶ Darauf achten, dass die Dichtflächen absolut sauber sind.
- ▶ Anschlüsse reinigen wenn notwendig.
- ▶ Prüfling und Referenzgerät vor dem Anschließen reinigen.

1. Eine Testkalibrierung mit einem bekannten und funktionierenden Druckmessgerät (siehe Kapitel 6.5 „Vorgehensweise (Überdruck- und Vakuumbetrieb)“) durchführen, um sicher zu gehen, dass die Einheit korrekt funktioniert.
⇒ Ein Druckmessgerät verwenden, dass den Druckbereich der CPP120-X abdeckt.
2. Das System mit dem maximalen Druck von 120 bar [1.740 psi] beaufschlagen.
⇒ Das Auslassventil (4) durch drehen im Uhrzeigersinn schließen.
⇒ Das Einlassventil (3) durch vorsichtiges drehen gegen den Uhrzeigersinn öffnen.
3. Das System entlüften und die Prüflinge demontieren.
⇒ Das Einlassventil (3) durch drehen im Uhrzeigersinn schließen.
⇒ Das Auslassventil (4) durch vorsichtiges drehen gegen den Uhrzeigersinn öffnen.
4. Die Vergleichsprüfpumpe CPP120-X ist nun einsatzbereit.

6.5 Vorgehensweise (Überdruck- und Vakuumbetrieb)

1. Das zu testende Gerät an einen Prüfanschluss (1) montieren.
⇒ Passenden Adapter verwenden, falls benötigt (siehe Kapitel 11 „Zubehör“)
2. Das Referenzmessgerät an den anderen Prüfanschluss (1) montieren.
⇒ Passenden Adapter verwenden, falls benötigt (siehe Kapitel 11 „Zubehör“)

6. Inbetriebnahme, Betrieb



Für konische Gewindeanschlüsse sollte PTFE-Dichtband verwendet werden um ein bestmögliches Dichtergebnis zu erzielen.

Keine flüssigen Dichtstoffe verwenden, da diese die Vergleichsprüfpumpe kontaminieren können.

DE

Vor der Verwendung der pneumatischen Vergleichsprüfpumpe CPP120-X ist folgendes zu prüfen:

- Alle Druckanschlüsse sind richtig montiert und angezogen.
- Der Volumenschieber (5) befindet sich in etwa der Mittelposition.
⇒ Volumenschieber (5) im oder gegen den Uhrzeigersinn drehen um ihn zu verstellen.
- Sicherstellen, dass die externe Druck- oder Vakuumversorgung korrekt angeschlossen und eingestellt ist (siehe Kapitel 6.4.2 „Anschließen einer externen Druck oder Vakuumversorgung“).

6.5.1 Druck erhöhen



VORSICHT!

Beschädigung des Einlass- und Auslassventils durch zu starkes anziehen

Zu starkes Anziehen der Ventile hat Auswirkungen auf die Lebensdauer und verursacht eine Wartung der Ventile.

- ▶ Das Einlass- und Auslassventil sind „weichdichtende“ Nadelventile und dürfen nur fingerfest angezogen werden um eine effektive Abdichtung zu erreichen.



VORSICHT!

Beschädigung des Prüflings oder Referenzmessgerät durch zu hohen Druck

Prüflinge und Referenz-Druckmessgeräte mit Druckbereichen < 120 bar [< 1.740,5 psi] können durch die Druckerzeugung beschädigt werden.

- ▶ Maximale Druckgrenze des Prüflings oder Referenz-Druckmessgerätes nicht überschreiten.
- ▶ Nur einen Vordruck erzeugen, der kleiner ist als der erforderliche Druck.
- ▶ Mit dem Feineinstellventil den genau erforderlichen Druck erhöhen.

1. Auslassventil (4) schließen durch drehen im Uhrzeigersinn.
2. Einlassventil (3) durch vorsichtiges drehen gegen den Uhrzeigersinn öffnen.

6. Inbetriebnahme, Betrieb

3. Wenn der benötigte Druck beinahe erreicht ist, das Einlassventil ③ vorsichtig, durch drehen im Uhrzeigersinn, schließen.
⇒ Einlassventil ③ komplett schließen und anschließend mithilfe des Volumenschiebers ⑤ den exakt benötigten Druckwert einstellen.



Das Systemdruckmanometer verwenden, um zu sehen, wann der benötigte Druck in etwa erreicht ist.

DE

6.5.2 Druck reduzieren

1. Auslassventil ④ vorsichtig durch drehen gegen den Uhrzeigersinn öffnen.
2. Wenn der benötigte Druck beinahe erreicht ist, das Auslassventil ④ vorsichtig, durch drehen im Uhrzeigersinn, schließen.
⇒ Auslassventil ④ komplett schließen und anschließend mithilfe des Volumenschiebers ⑤ den exakt benötigten Druckwert einstellen.

6.6 Reinigung der Messgeräte

Dieser Reinigungs-/Entfettungsprozess ist nur geeignet für Druckmessgeräte mit Bourdonfedern aus Phosphor, Bronze, Beryllium, Kupfer, Monel oder CrNi-Stahl in der Form eines „C“.

Es ist nicht ratsam, Druckmessgeräte mit Bourdonfedern aus Stahl zu entfetten, da bereits eine winzige Menge Rost Messungenauigkeiten hervorrufen und zu einem vorzeitigen Ausfall der Feder führen kann.



Schutzbrille tragen!

Schutz der Augen vor umherfliegenden Teilen und Flüssigkeitsspritzern.

Diese Reinigungsmethode ist nicht geeignet für Druckmessgeräte, die mit gewundenen Bourdonfedern bestückt sind. Sie ist auch nicht für Messgeräte geeignet, die mit Sauerstoff arbeiten, da die Funktion ohne Öl nicht sichergestellt ist. Wenden Sie sich in diesem Fall bitte an DH-Budenberg/WIKA.

Ausrüstung

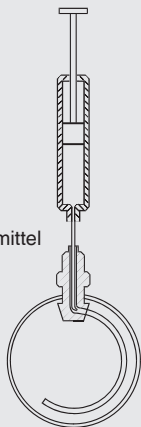
Diese besteht aus einer Spritze und einer speziellen Nadel, die um 90° gebogen ist.

6. Inbetriebnahme, Betrieb / 7. Störungen

Anweisungen:

1. Die Spritze mit Lösungsmittel befüllen (geeigneter Kaltreiniger zum Entfetten).
2. Das Messgerät mit dem Anschluss nach oben zeigend halten, die Nadel in den Anschluss schieben und diese vorsichtig in das Loch führen, das zur Rohrfeder führt.
3. Das Lösungsmittel injizieren. Idealerweise sollte das Rohr halb voll sein.
4. Das Messgerät hin und her schütteln, um das Lösungsmittel zu verteilen.
5. Das Lösungsmittel mit der Spritze wieder herausziehen und das Messgerät dabei schräg halten.
6. Prüfen, ob das Lösungsmittel schwebekörperfrei und rein ist. Um sicherzugehen, dass alles Öl entfernt wurde, den Reinigungsprozess wiederholen, bis das Lösungsmittel klar bleibt.

Füllen mit Lösungsmittel



Entfernen des
Lösungsmittels



Reinigen der Messgeräte

7. Störungen

Personal: Fachpersonal

Schutzausrüstung: Schutzbrille

Werkzeuge: Gabelschlüssel

Nur Originalteile verwenden (siehe Kapitel 11 „Zubehör“).



Kontaktdaten siehe Kapitel 1 „Allgemeines“ oder Rückseite der Betriebsanleitung.

7. Störungen



VORSICHT!

Körperverletzungen, Sach- und Umweltschäden

Können Störungen mit Hilfe der aufgeführten Maßnahmen nicht beseitigt werden, Vergleichsprüfpumpe unverzüglich außer Betrieb setzen.

- ▶ Sicherstellen, dass kein Druck mehr anliegt und gegen versehentliche Inbetriebnahme schützen.
- ▶ Kontakt mit dem Hersteller aufnehmen.
- ▶ Notwendige Schutzausrüstung tragen (siehe Kapitel 3.5 „Persönliche Schutzausrüstung“).
- ▶ Bei notwendiger Rücksendung die Hinweise unter Kapitel 9.2 „Rücksendung“ beachten.

DE

Störungen	Ursachen	Maßnahmen
Prüfpumpe baut kein Druck auf	Druckversorgung nicht angeschlossen	Prüfen, ob eine Druckversorgung angeschlossen ist und ob die Gasflasche gefüllt ist
	Anschluss am Eingangsverteiler undicht	Auf Leckagen mithilfe von Seifenwasser überprüfen
	Einlassventil verstopft	Dichtungen prüfen Falls notwendig, Rücksendung an den Hersteller
	Prüfanschluss undicht	Dichtungen prüfen Falls notwendig austauschen
	Handgriff des Einlassventils ist locker	Prüfen ob sich die Schraube gelöst hat, wenn notwendig Schraube festziehen
	Falsche Bedienung	Sicherstellen, dass die korrekte Vorgehensweise angewandt wird (siehe Kapitel 6 „Inbetriebnahme, Betrieb“)
	Wenn die Ursache nicht gefunden werden kann	Rücksendung an den Hersteller
Prüfpumpe baut Druck auf, aber der Druck fällt wieder ab	Nadelventil des Auslassventils dichtet nicht. ⇒ Erkennbar durch ein zischen- des Geräusch	Auslassventil erneut festziehen Dichtungen prüfen Falls notwendig austauschen
	Fehlende oder beschädigte Dichtungen. ⇒ Erkennbar durch ein zischen- des Geräusch	Dichtungen auf korrekten Sitz und Verschleiß prüfen Falls notwendig austauschen
	Wenn die Ursache nicht gefunden werden kann	Rücksendung an den Hersteller

8. Wartung, Instandhaltung und Reinigung

8. Wartung, Instandhaltung und Reinigung

Personal: Fachpersonal

Schutzausrüstung: Schutzbrille

Werkzeuge: Gabelschlüssel

DE

Reparaturen sind ausschließlich vom Hersteller durchzuführen.

Nur Originalteile verwenden (siehe Kapitel 11 „Zubehör“).



Kontaktdaten siehe Kapitel 1 „Allgemeines“ oder Rückseite der Betriebsanleitung.



WARNUNG!

Körperverletzungen, Sach- und Umweltschäden

Vor dem Starten jeglicher Wartungsarbeiten, ist sicherzustellen, dass kein Druck mehr anliegt.

- ▶ Sicherstellen, dass die Druck- bzw. Vakuumversorgung sich im drucklosen Zustand befindet.
- ▶ Sicherstellen, dass die CPP120-X sich im drucklosen Zustand befindet.
- ▶ Einlassventil ③ und Auslassventil ④ durch drehen gegen den Uhrzeigersinn öffnen.

8.1 Periodische Wartung

Für die periodische Wartung ist nur die Reinigung des Gerätes und die Sichtprüfung auf Beschädigungen nötig. Bei normaler Verwendung ist keine weitere Wartung nötig. Falls nötig kann das System zum Hersteller zur Wartung zurückgeschickt werden.

Sollte es nicht möglich sein das Gerät zur Wartung zurück zu senden, finden sich weitere Details zur Wartung und Dichtungstauschen im Kapitel 8.2 „Instandhaltung“.

Informationen zur Revision sind ebenfalls in diesem Kapitel zu finden.

- Verschmutzungen die möglicherweise in die Vergleichsprüfpumpe gelangen, können mit einem feuchten Tuch abgewischt werden.
- Alle Handgriffe sollten auf richtigen Sitz geprüft werden.
- Die Lücke zwischen der Innenkante des Gehäuses und der Basis sollte geprüft werden, so dass ausgelassenes Gas aus dem Gerät entweichen kann.
- Der Volumenschieber kann etwas mit Silikonfett geschmiert werden, sollte dieser schwergängig sein.

8. Wartung, Instandhaltung und Reinigung



Flüssigkeiten, die ABS angreifen, sollten mit Vorsicht verwendet werden. Kontinuierliches Eintauchen der Gehäuseabdeckung in solche Flüssigkeiten führt zu Beschädigungen. Verschüttete Flüssigkeit sollte sofort weggewischt werden.

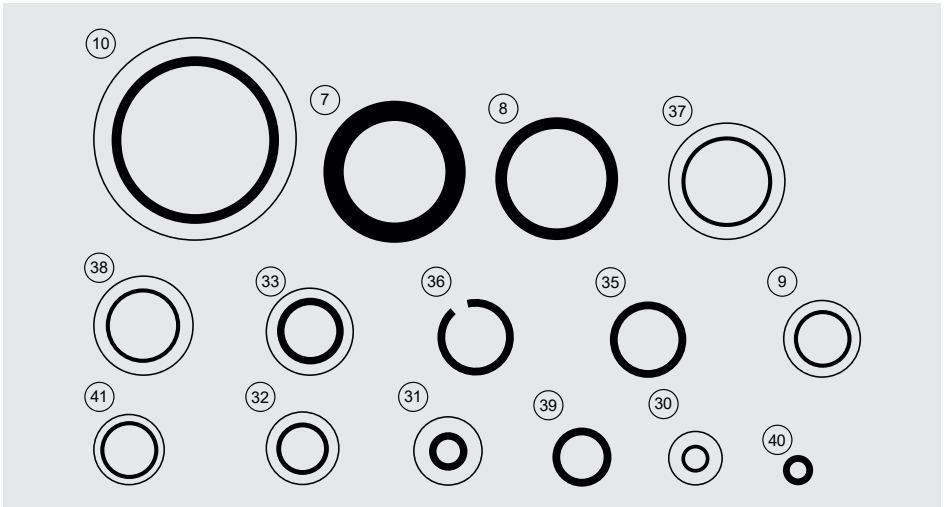
DE

8.2 Instandhaltung

8.2.1 Allgemein

Dieser Abschnitt enthält Einzelheiten zum Zerlegen der Einheit und zum Ersetzen der aufgelisteten Teile welche im „Dichtungs- und Wartungssatz für Gerätebasement“ enthalten sind (siehe Kapitel 11 „Zubehör“).

Ersatzdichtungen Identifikationskarte



Nr.	Anzahl	Beschreibung
7	4	O-Ring
8	1	O-Ring
9	1	USIT-Dichtring
10	2	O-Ring
30	2	USIT-Dichtring
31	5	USIT-Dichtring

Nr.	Anzahl	Beschreibung
35	2	O-Ring
36	2	Sicherungsring
37	2	USIT-Dichtring
38	2	USIT-Dichtring
39	2	Stopfbuchse
40	2	O-Ring für Dichtsitz

8. Wartung, Instandhaltung und Reinigung

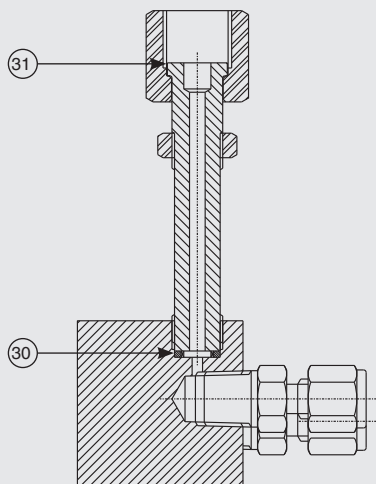
Nr.	Anzahl	Beschreibung
32	2	USIT-Dichtring
33	4	USIT-Dichtring

Nr.	Anzahl	Beschreibung
41	2	USIT-Dichtring

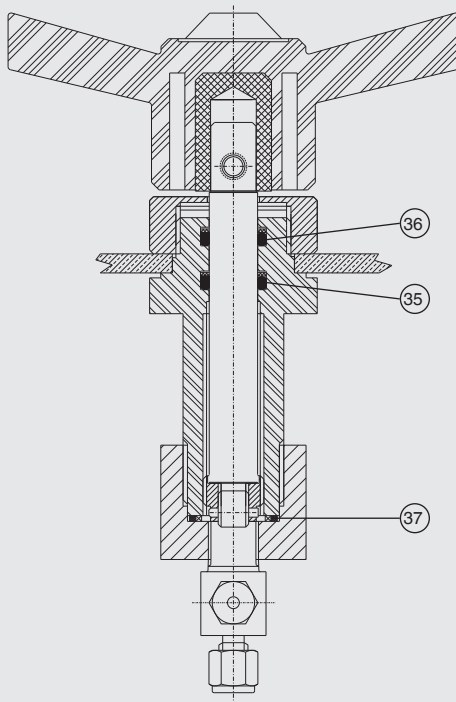
DE

Platzierung der Dichtungen

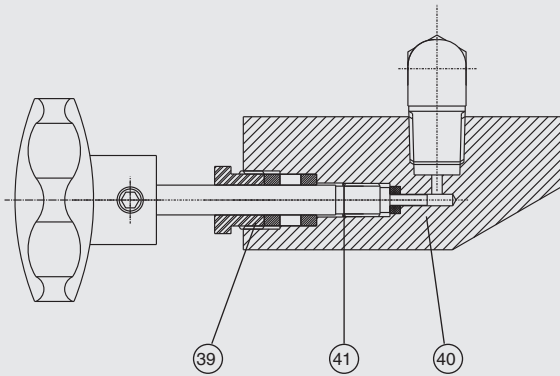
Eingangsverteiler



Volumenverdränger

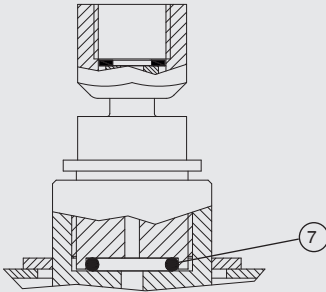


Einlass/Auslass-Ventil



DE

Prüfanschluss



Dichtungen, welche nicht in den oben abgebildeten Zeichnungen enthalten sind, werden für die Kolbenzylindersysteme Typ CPS3500 benötigt. Weitere Informationen sind in der Betriebsanleitung der Druckwaage Typ CPB3500 zu finden.

8. Wartung, Instandhaltung und Reinigung

8.2.2 Deckel abnehmen

1. Sicherstellen, dass sich die Druckversorgung im drucklosen Zustand befindet!
2. Die Druckversorgung demontieren.
3. Die beiden Prüfanschlüsse ① von den Anschlussblöcken ② demontieren.
4. Die Handräder des Einlass- ③ und Auslassventils ④ sowie dem Volumenverdränger ⑤ demontieren.
5. Die vier Plastikabdeckungen in den vier Ecken des Plastikgehäuses entfernen, anschließend die Schrauben darunter heraus drehen.
6. Gehäuse hinten anheben und nach vorne schieben um Volumenverdränger frei zu legen.

8.2.3 Austausch der Dichtungen am Einlass- und Auslassventil

1. Die Handräder des Einlass- ③ und Auslassventils ④ demontieren.
2. Sechskantmutter lösen und Spindel so lange gegen den Uhrzeigersinn drehen, bis die Stopfbuchse und USIT-Dichtring vom Ventilkörper gelöst sind.
3. Alter O-Ring mit einem geeigneten, hakenförmigen Werkzeug entfernen.
4. Prüfen, dass der Dichtsitz sauber und frei von jeglichen Verunreinigungen, Kerben etc. ist.
5. Neuer O-Ring in den Dichtsitz des Ventilkörpers einlegen. Sicherstellen, dass der O-Ring korrekt in der Nut sitzt.
6. USIT-Dichtring, Stopfbuchse, und Spindel wieder in der richtigen Reihenfolge zusammen montieren.
⇒ Sicherstellen, dass die Teile sauber und frei von jeglichen Verunreinigungen sind.

8.2.4 Anleitung zum Testen des Einlass- und Auslassventils

1. Prüfanschlüsse ① mit Blindstopfen verschließen
2. Einlass- ③ und Auslassventil ④ schließen
3. Externe Druckversorgung an die CPP120-X anschließen.
⇒ Siehe Kapitel 6.4.2 „Anschließen einer externen Druck oder Vakuumversorgung“.
4. Einlassventil ③ vorsichtig öffnen, bis der maximale Druck von 120 bar [1.740 psi] erreicht ist. Anschließend das Einlassventil ③ wieder schließen.
⇒ Das Systemdruckmanometer ⑥ zeigt den aktuellen Druck an.
5. Die Anzeige des Systemdruckmanometers ⑥ für 5 ... 10 Minuten beobachten, und schauen das kein Druckabfall zu erkennen ist.
⇒ Sollte ein kontinuierlicher Druckabfall zu erkennen sein, ist der Dichtsitz des Auslassventils möglicherweise verschlissen.
6. Die Sechskantmutter des Einlassventils ③ mit Leckage Spray auf mögliche Leckagen absuchen.
⇒ Sollte eine Leckage erkennbar sein, ist der Dichtsitz des Auslassventils möglicherweise verschlissen.

8.2.5 Volumenverdränger

Der Volumenverdränger, sollte aufgrund seiner Komplexität der internen Abdichtung nur von erfahrenem und qualifiziertem technischen Personal erfolgen. Desweiteren werden für die Montage und Demontage spezielles Werkzeug benötigt. Zum Erneuern der Dichtungen oder reinigen des Volumenverdrängers, ist die CPP120-X zum Hersteller zurück zu senden.



Kontakt Daten siehe Kapitel 1 "Allgemeines" oder Rückseite der Betriebsanleitung.

8.2.6 Austausch der Dichtungen am Systemdruckmanometer



VORSICHT!

Beschädigung des Systemdruckmanometers

Inkorrektes austauschen des Systemdruckmanometers kann zu Beschädigungen am Manometer führen.

- ▶ Nur Originalteile verwenden (siehe Kapitel 11 „Zubehör“).
- ▶ Sicherstellen, dass der Messbereich des Manometers den maximalen Druckbereich von 120 bar [1.740 psi] abdeckt.
- ▶ Sicherstellen, dass der Prozessanschluss des Manometers richtig sitzt.
⇒ Es sind keine übermäßigen Kräfte notwendig.
- ▶ Passende Gabelschlüssel nur zwischen dem Prozessanschluss und dem Gehäuse des Manometers sowie an der Überwurfmutter der CPP120-X ansetzen.

1. Passenden Gabelschlüssel zwischen dem Prozessanschluss und dem Gehäuse des Manometers sowie an der Überwurfmutter ansetzen, um das Systemdruckmanometer ⑥ von der Vergleichsprüfpumpe Typ CPP120-X zu lösen.
2. USIT-Dichtung am Boden der Überwurfmutter austauschen.
3. Das Systemdruckmanometer ⑥ wieder korrekt montieren.

8. Wartung, Instandhaltung und Reinigung

8.3 Reinigung



VORSICHT!

Körperverletzungen, Sach- und Umweltschäden

Eine unsachgemäße Reinigung führt zu Körperverletzungen, Sach- und Umweltschäden. Messstoffreste im ausgebauten Gerät können zur Gefährdung von Personen, Umwelt und Einrichtung führen.

- ▶ Notwendige Schutzausrüstung verwenden.
- ▶ Reinigungsvorgang wie folgt beschrieben durchführen.

1. Vor der Reinigung das Gerät ordnungsgemäß von der Druckversorgung trennen, ausschalten und vom Netz trennen.
2. Das Gerät mit einem feuchten Tuch reinigen.



Flüssigkeiten, die ABS angreifen, mit Vorsicht verwenden. Kontinuierliches Eintauchen der Gehäuseabdeckung in solche Flüssigkeiten führt zu Beschädigungen. Verschüttete Flüssigkeit sofort wegwischen!



VORSICHT!

Beschädigung des Gerätes

Eine unsachgemäße Reinigung führt zur Beschädigung des Gerätes!

- ▶ Keine aggressiven Reinigungsmittel verwenden.
- ▶ Keine harten und spitzen Gegenstände zur Reinigung verwenden.

9. Demontage, Rücksendung und Entsorgung

9. Demontage, Rücksendung und Entsorgung

DE

Personal: Fachpersonal

Schutzausrüstung: Schutzbrille

Werkzeuge: Gabelschlüssel

9.1 Demontage



WARNUNG!

Körperverletzungen, Sach- und Umweltschäden durch Messstoffreste

Bei der Demontage besteht Gefahr durch aggressive Messstoffe und hohe Drücke.

- ▶ Vor der Einlagerung das ausgebaute Gerät (nach Betrieb) spülen bzw. säubern, um Personen und Umwelt vor Gefährdung durch anhaftende Messstoffreste zu schützen.
- ▶ Notwendige Schutzausrüstung tragen.
- ▶ Prüf- und Kalibrierbauten nur im drucklosen Zustand demontieren!

1. Einlass- ③ und Auslassventil ④ öffnen bis kein Druck mehr in der Vergleichsprüfpumpe ist.
⇒ Wenn die CPP120-X sich im drucklosen Zustand befindet, zeigt das Systemdruckmanometer ⑥ 0 bar an.
2. Demontieren sie das Referenzmessgerät und/oder den Prüfling.

9.2 Rücksendung

Beim Versand des Gerätes unbedingt beachten:

Alle an WIKA gelieferten Geräte müssen frei von Gefahrstoffen (Säuren, Laugen, Lösungen, etc.) sein und sind daher vor der Rücksendung zu reinigen.



WARNUNG!

Körperverletzungen, Sach- und Umweltschäden durch Messstoffreste

Messstoffreste in der Vergleichsprüfpumpe CPP120-X können zur Gefährdung von Personen, Umwelt und Einrichtung führen.

- ▶ Bei Gefahrstoffen das Sicherheitsdatenblatt für den entsprechenden Messstoff beilegen.
- ▶ Gerät reinigen, siehe Kapitel 8.3 „Reinigung“.

Zur Rücksendung des Gerätes die Originalverpackung oder eine geeignete Transportverpackung verwenden.

9. Demontage, Rücksendung und Entsorgung

Um Schäden zu vermeiden:

1. Das Gerät mit dem Dämmmaterial in der Verpackung platzieren. Zu allen Seiten der Transportverpackung gleichmäßig dämmen.
2. Wenn möglich einen Beutel mit Trocknungsmittel der Verpackung beifügen.
3. Sendung als Transport eines hochempfindlichen Messgerätes kennzeichnen.

DE



Hinweise zur Rücksendung befinden sich in der Rubrik „Service“ auf unserer lokalen Internetseite.

9.3 Entsorgung

Durch falsche Entsorgung können Gefahren für die Umwelt entstehen.

Gerätekomponenten und Verpackungsmaterialien entsprechend den landesspezifischen Abfallbehandlungs- und Entsorgungsvorschriften umweltgerecht entsorgen.



Nicht mit dem Hausmüll entsorgen. Für eine geordnete Entsorgung gemäß nationaler Vorgaben sorgen.

10. Technische Daten

10. Technische Daten

Technische Daten	Typ CPP120-X
Druckbereich	0 ... 120 bar [0 ... 1.740 psi]
Zulässige Druckversorgung	
Druckversorgung	100 % des Prüflingsmessbereichs, max. 120 bar [1.740 psi]
Druckübertragungsmedium	Saubere, trockene und nicht aggressive Gase (z. B. Luft oder Stickstoff)
Druckanschlüsse	
Prüflingsanschluss	2 x Innengewinde G 1 inkl. 2 x Prüfanschlüsse mit G ½ Innengewinde G ½, freilaufende Überwurfmutter
Abstand zwischen den Prüflingsanschlüssen	288 mm [11,34 in]
Anschluss externe Druckversorgung	G ¼ B Innengewinde
Feinregulierung	Volumenverdränger
Werkstoff	
Messstoffberührte Bauteile	Austenitischer CrNi-Stahl, hochfestes Messing, Nitrilkautschuk
Gehäuse	ABS-Kunststoff
Zulässige Umgebungsbedingungen	
Betriebstemperatur	0 ... 40 °C [32 ... 104 °F]
Lagertemperatur	-10 ... +50 °C [14 ... 122 °F]
Gerätebasement	
Abmessungen (B x T x H)	510 x 490 x 210 mm [20,08 x 19,29 x 8,27 in], Details siehe technische Zeichnung
Gewicht	22 kg [48,51 lbs]

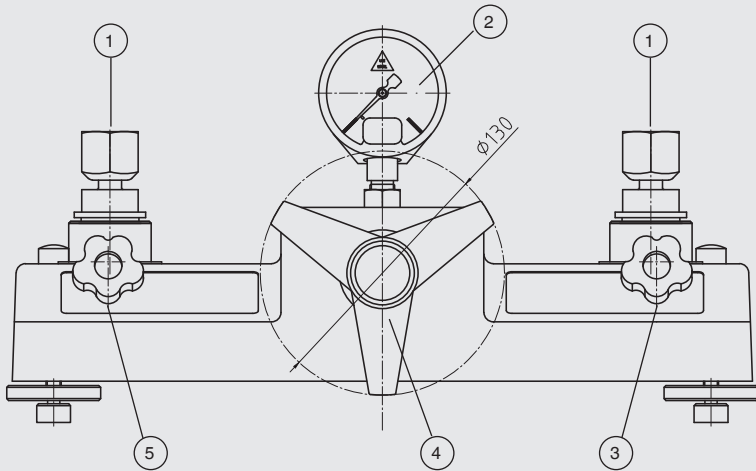
DE

Weitere technische Daten siehe WIKA-Datenblatt CT 91.03 und Bestellunterlagen.

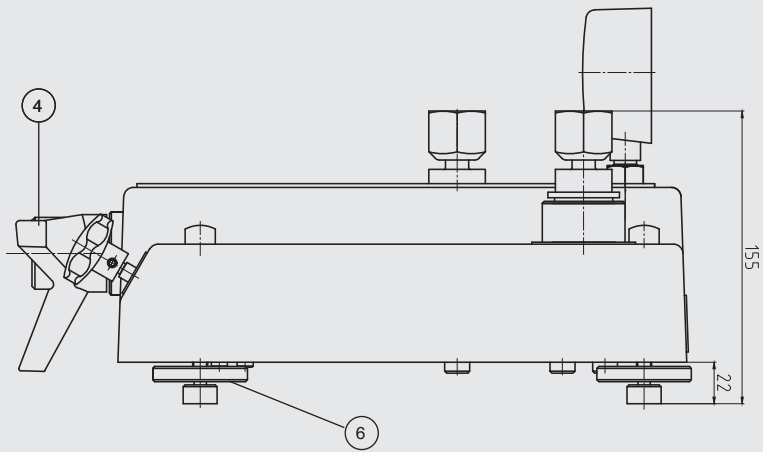
10. Technische Daten

Abmessungen in mm

Ansicht von vorn



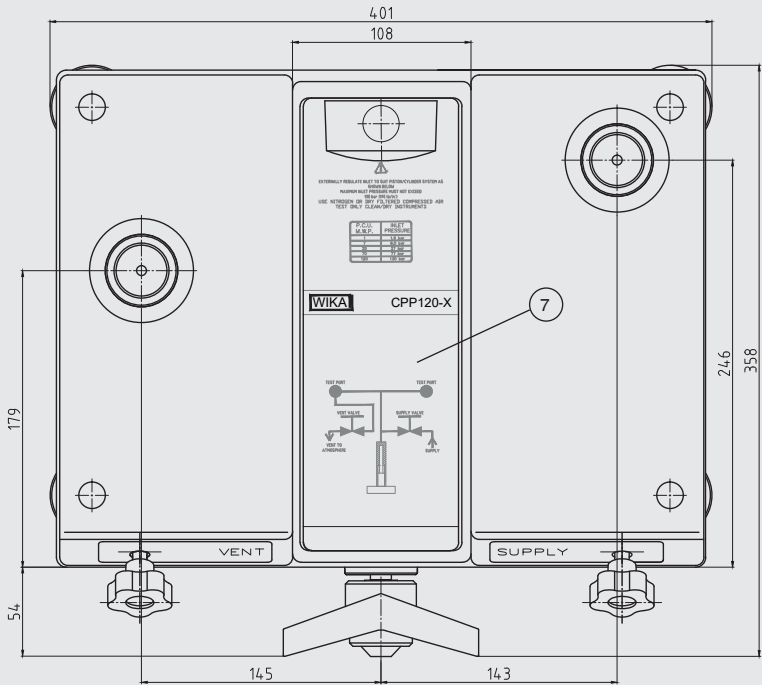
Ansicht von der Seite



DE

10. Technische Daten

Ansicht von oben



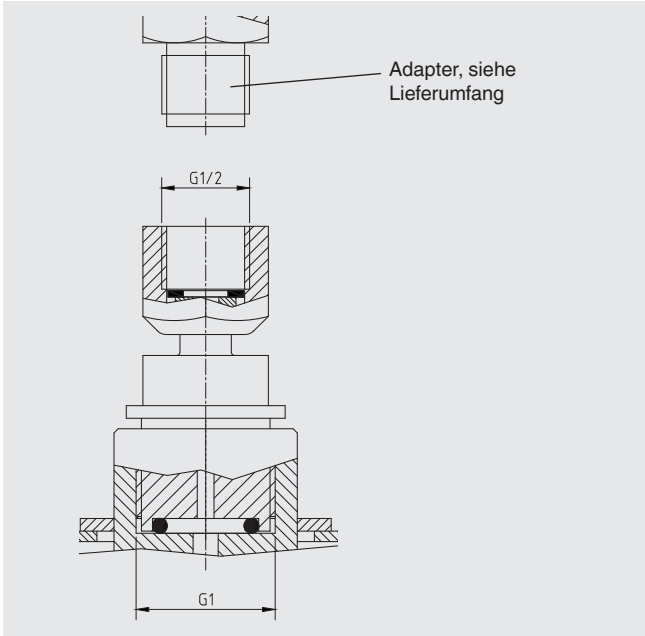
DE

- ① Prüflingsanschlüsse
- ② Druckmessgeräte
- ③ Einlassventil
- ④ Volumenschieber mit Drehkreuz
- ⑤ Auslassventil
- ⑥ Drehbare FüÙe
- ⑦ Bedienschema Druckerzeugung

10. Technische Daten

Prüflingsanschluss

DE



11. Zubehör

	Bestellcode	
Beschreibung	CPP-A-3-	
	<p>Aufbewahrungskoffer inkl. Schaumstoffeinlage mit Aussparungen für Typ CPP120-X</p>	-30-
	<p>Adapterset „BSP“ für Prüflingsanschluss G ½ B außen auf G ¼, G ¾ und G ½ innen</p>	-31-
	<p>„NPT“ für Prüflingsanschluss G ½ B außen auf ¼ NPT, ¾ NPT und ½ NPT innen</p>	-32-
	<p>„metrisch“ für Prüflingsanschluss G ½ B außen auf M12 x 1,5 und M20 x 1,5 innen</p>	-33-
	<p>Winkelanschlussstück 90° für Prüflinge mit rückseitigem Anschluss, NBR-Dichtung</p>	-34-
	<p>Prüflingsanschluss G 1 außen auf G ½ innen, freilaufend</p>	-35-
	<p>2-fach Prüflingsanschluss G 1 B außen auf 2 x G ½ innen, freilaufend (Typ 27)</p>	-36-
	<p>Trennvorlage 0 ... 35 bar (Typ 35)</p>	-37-

DE

11. Zubehör

DE

		Bestellcode
Beschreibung		CPP-A-3-
	Dichtungs- und Wartungssatz Standardausführung für Gerätebasement	-38-
	Werkzeugset Bestehend aus: Gabelschlüssel, Ersatzdichtungen, Zeigerabhebevorrichtung und Zeigeraufschlagstempel	-39-
Bestellangaben für Ihre Anfrage:		
1. Bestellcode: CPP-A-3 2. Option:		↓ []

WIKA-Zubehör finden Sie online unter www.wika.de.