

Comparison Test Pump, model CPP7000-X

GB

Vergleichsprüfpumpe, Typ CPP7000-X

DE



Comparison Test Pump, model CPP7000-X

avrorra-arm.ru
+7 (495) 956-62-18

GB	Comparison Test Pump, model CPP7000-X	Page	2 - 30
-----------	--	-------------	---------------

DE	Vergleichsprüfpumpe, Typ CPP7000-X	Seite	31 - 59
-----------	---	--------------	----------------

Further languages can be found at www.wika.com.

© 2017 WIKA Alexander Wiegand SE & Co. KG

All rights reserved.

WIKA® is a registered trademark in various countries.

Prior to starting any work, read the operating instructions!

Keep for later use!

Contents

1.	General Information	5
2.	Short overview	6
2.1	Overview	6
2.2	Description	6
2.3	Scope of delivery	7
3.	Safety	8
3.1	Explanation of symbols	8
3.2	Intended use	8
3.3	Improper use	9
3.4	Personnel qualification	10
3.5	Personal protective equipment	10
3.6	Labelling, safety marks	11
3.6.1	Product label	11
3.6.2	Symbols	11
4.	Design and Function	12
5.	Transport, packaging and storage	13
5.1	Transport	13
5.2	Packaging and storage	13
6.	Commissioning, operation	14
6.1	Preparation	14
6.1.1	Setting up the device	14
6.1.2	Connecting the test specimen and the reference instrument	15
6.1.3	Venting the system	17
6.2	Operation	18
6.2.1	Increasing the pressure	18
6.2.2	Decreasing the pressure	20
6.3	Disassembly	20
7.	Faults	21
8.	Maintenance, cleaning and servicing	23
8.1	Maintenance	23
8.1.1	Wear parts	23
8.2	Changing the hydraulic oil	23
8.2.1	Removing hydraulic oil	23
8.2.2	Filling in of hydraulic oil	24
8.2.3	Venting of the system (after complete filling only)	24

8.3	Cleaning	24
9.	Dismounting, return and disposal	25
9.1	Dismounting	25
9.2	Return.....	26
9.3	Disposal.....	26
10.	Specifications	27
11.	Accessories.....	28

Declarations of conformity can be found online at www.wika.com.

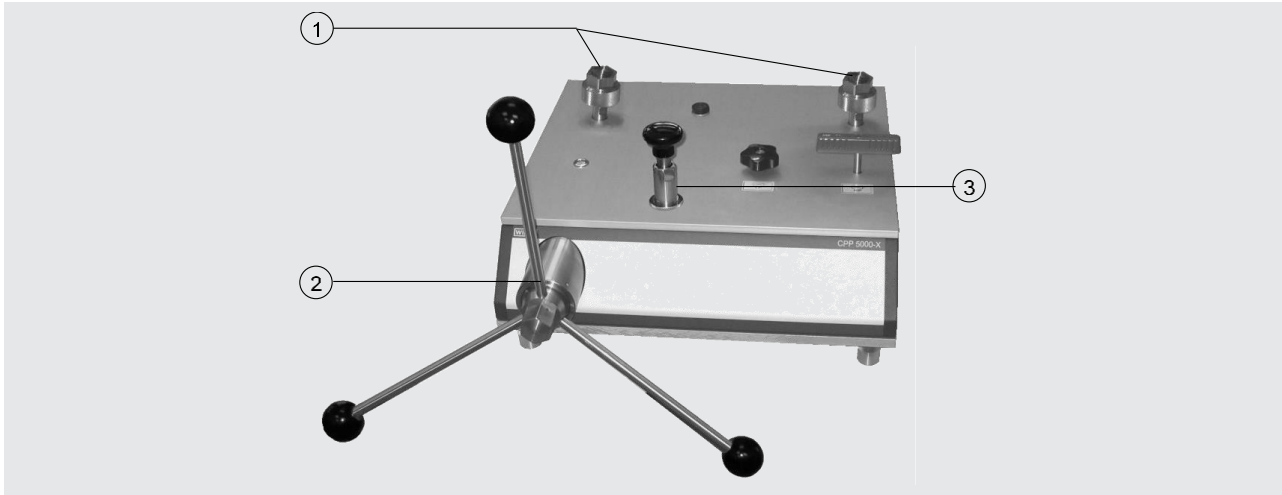
1. General Information

- The comparison test pump model CPP7000-X described in the operating instructions has been designed and manufactured using state-of-the-art technology. All components are subject to stringent quality and environmental criteria during production. Our management systems are certified to ISO 9001 and ISO 14001.
- These operating instructions contain important information on handling the comparison test pump CPP7000-X. Working safely requires that all safety instructions and work instructions are observed.
- Observe the relevant local accident prevention regulations and general safety regulations for the instrument's range of use.
- The operating instructions are part of the instrument and must be kept in the immediate vicinity of the instrument and readily accessible to skilled personnel at any time. Pass the operating instructions on to the next operator or owner of the instrument.
- Skilled personnel must have carefully read and understood the operating instructions, prior to beginning any work.
- The general terms and conditions, contained in the sales documentation, shall apply.
- Subject to technical modifications.
- Further information:
 - Internet address: www.wika.de / www.wika.com
 - Relevant data sheet: CT 91.13
 - Application consultant: Tel.: +49 9372 132-0
Fax: +49 9372 132-406
info@wika.de

2. Short overview

EN

2.1 Overview



1. Connection for device under test or reference instrument
2. Spindle pump
3. Initial pressure pump

2.2 Description

Test pumps are used to generate pressures for checking, adjusting and calibrating mechanical and electronic pressure measuring instruments by comparative measurements. These pressure tests may be carried out in laboratories, workshops or on site at the measuring point.

The comparison test pump model CPP7000-X is equipped with two connections for the test specimen and the reference instrument which can be used in any order. If the instrument to be tested and a sufficiently accurate reference measuring instrument are connected to the test pump, the same pressure is applied to the two measuring instruments when the pump is operated. By comparing the two measured values at random pressure values, the accuracy can be verified or the instrument under test can be adjusted. First the pressure is set via an integrated initial pressure pump. For fine adjustment by approaching the measuring points precisely an adjustable volume with precision spindle is available. Another important feature of the pumps is the rotating spindle that only runs inside the body of the pump. This eliminates the negative effect of a bending torque on a spindle turning outside the body and offers the advantage, especially for use in the field, that the dimensions of these pumps do not change during operation due to the spindle turning.



Information

The term "reference instrument" in this manual relates to each kind of pressure measuring instrument like: spring manometer, electrical pressure measuring instrument and pressure transmitters with electrical outlet. The comparison test pump is only as precise as the used reference instrument. The reference instrument should be recalibrated in regular intervals to guarantee the specifications of the manufacturer.

2.3 Scope of delivery

- Comparison test pump model CPP7000-X with priming pump for filling, spindle pump for pressure generation and fine pressure adjustment
- Two test connections with M16 x 1.5 male thread, freely rotating, exchangeable, with sealing cone
- Sebacate oil in plastic bottle, content 0.5 litre
- 3 handles
- Operating Instruction in German and English language
- Dust protection cover

Cross-check scope of delivery with delivery note.

3. Safety

EN

3.1 Explanation of symbols



DANGER!

... indicates a directly dangerous situation resulting in serious injury or death, if not avoided.



WARNING!

... indicates a potentially dangerous situation that can result in serious injury or death, if not avoided.



CAUTION!

... indicates a potentially dangerous situation that can result in light injuries or damage to property or the environment, if not avoided.



Information

... points out useful tips, recommendations and information for efficient and trouble-free operation.

3.2 Intended use

The comparison test pump model CPP7000-X is used to generate pressures for checking, adjusting and calibrating mechanical and electronic pressure measuring instruments by comparative measurements. These pressure tests may be carried out in laboratories, workshops or on site at the measuring point.

This instrument is not permitted to be used in hazardous areas!

The instrument has been designed and built solely for the intended use described here, and may only be used accordingly.

The technical specifications contained in these operating instructions must be observed. Improper handling or operation of the instrument outside of its technical specifications requires the instrument to be taken out of service immediately and inspected by an authorised WIKA service engineer.

If the equipment is damaged and might no longer operate safely, then it should be taken out of use and securely marked in such a way so that isn't used again.

Operator safety may be at risk if:

- There is visible damage to the device
- The device is not working as specified
- The device has been stored under unsuitable conditions for an extended period of time.

If there is any doubt, please return the device to the manufacturer for repair or maintenance. The comparison test pump model CPP7000-X always has to be handled with the care required for an precision instrument (protect from humidity, impacts and extreme temperatures). The device must be handled with care (don't throw, hit, etc.) and protect them from contamination. By no means apply any force to the operating elements of the comparison test pump model CPP7000-X.

Trouble-free operation and reliability of the device can only be guaranteed so long as the conditions stated under 6.1.1 Setting up the device are taken into consideration.

The manufacturer shall not be liable for claims of any type based on operation contrary to the intended use.

**Information**

Material Safety Data Sheet for the corresponding medium can be found on the website www.wika.de / www.wika.com or contact your local distributor.

**WARNING!**

Use only those accessories such as thread adapter, which is suitable for the pressure range and the medium used.

**WARNING!**

For trouble-free operation and reliability of the comparison test pump model CPP7000-X a frequently service is necessary. This kind of service can only performed by authorized WIKA service engineer. The service interval is three years.

3.3 Improper use

**WARNING!****Injuries through improper use**

Improper use of the instrument can lead to hazardous situations and injuries.

- ▶ Refrain from unauthorised modifications to the instrument.
- ▶ Do not use the instrument within hazardous areas.
- ▶ Do not exceed maximum pressure 7,000 bar (100,000 psi)!
- ▶ Use only original sealings in the device!
- ▶ Return the device to the manufacturer for any repair or maintenance!

Any use beyond or different to the intended use is considered as improper use.

3.4 Personnel qualification



WARNING!

Risk of injury should qualification be insufficient

Improper handling can result in considerable injury and damage to equipment.

- ▶ The activities described in these operating instructions may only be carried out by skilled personnel who have the qualifications described below.

Skilled personnel

Skilled personnel, authorised by the operator, are understood to be personnel who, based on their technical training, knowledge of measurement and control technology and on their experience and knowledge of country-specific regulations, current standards and directives, are capable of carrying out the work described and independently recognising potential hazards.

3.5 Personal protective equipment

The personal protective equipment is designed to protect the skilled personnel from hazards that could impair their safety or health during work. When carrying out the various tasks on and with the instrument, the skilled personnel must wear personal protective equipment.

The requisite personal protective equipment must be provided by the operating company.



Wear safety goggles!

Protect eyes from flying particles and liquid splashes.



WARNING!

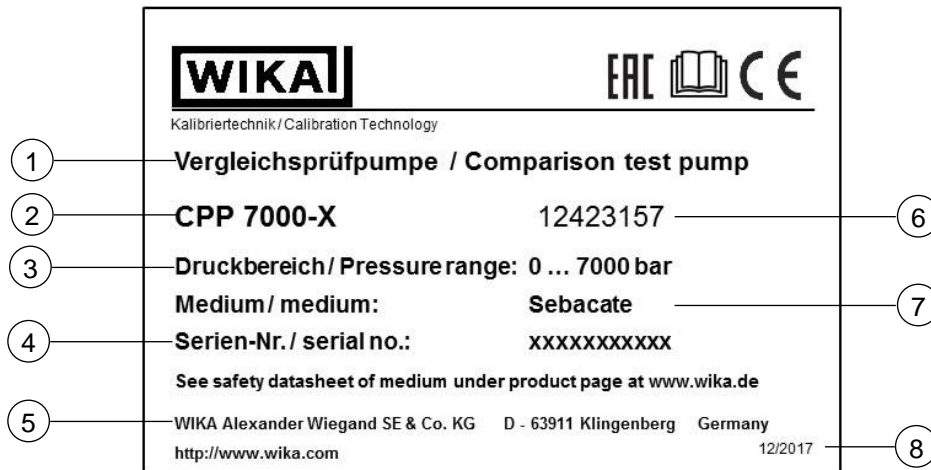
During the operation, cleaning or maintenance at the comparison test pump it is necessary to wear safety goggles.

Please observe also the additional notes in the individual chapters of this operating instruction.

3.6 Labelling, safety marks

3.6.1 Product label

The product label is located on the rear of the comparison test pump model CPP7000-X.



1. Product name
2. Model
3. Pressure range
4. Serial No.
5. Manufacturer
6. Order Number
7. Medium
8. Date of manufacture

3.6.2 Symbols



Before mounting and commissioning the instrument, ensure you read the operating instructions!



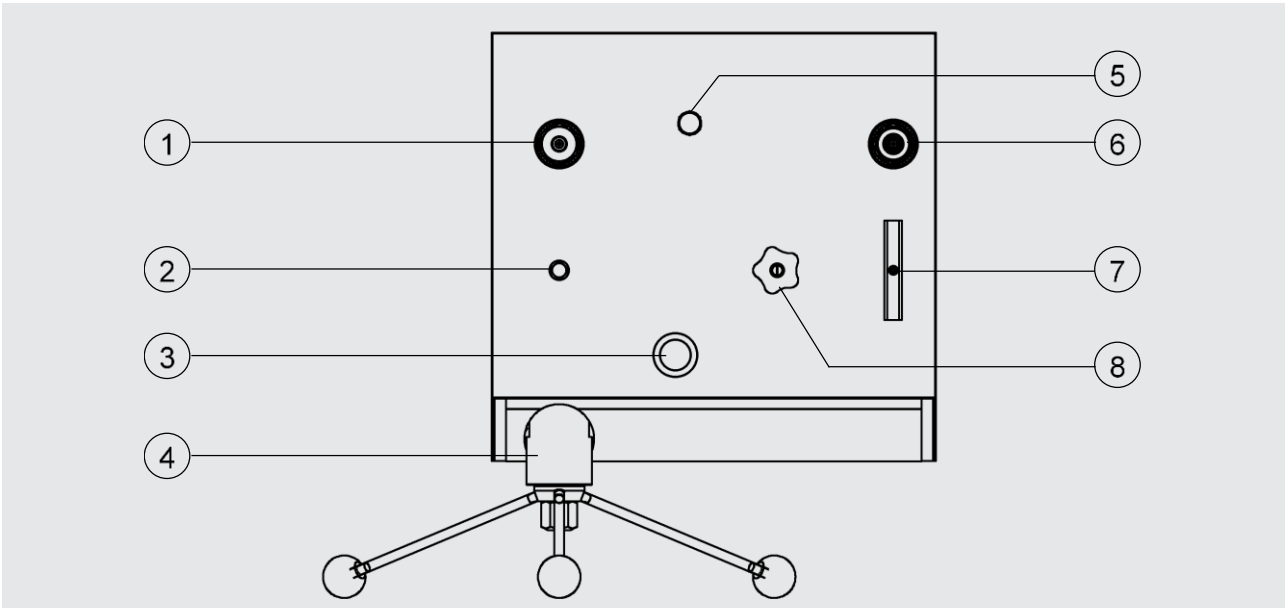
CE, Communauté Européenne

Instruments bearing this mark comply with the relevant European directives.

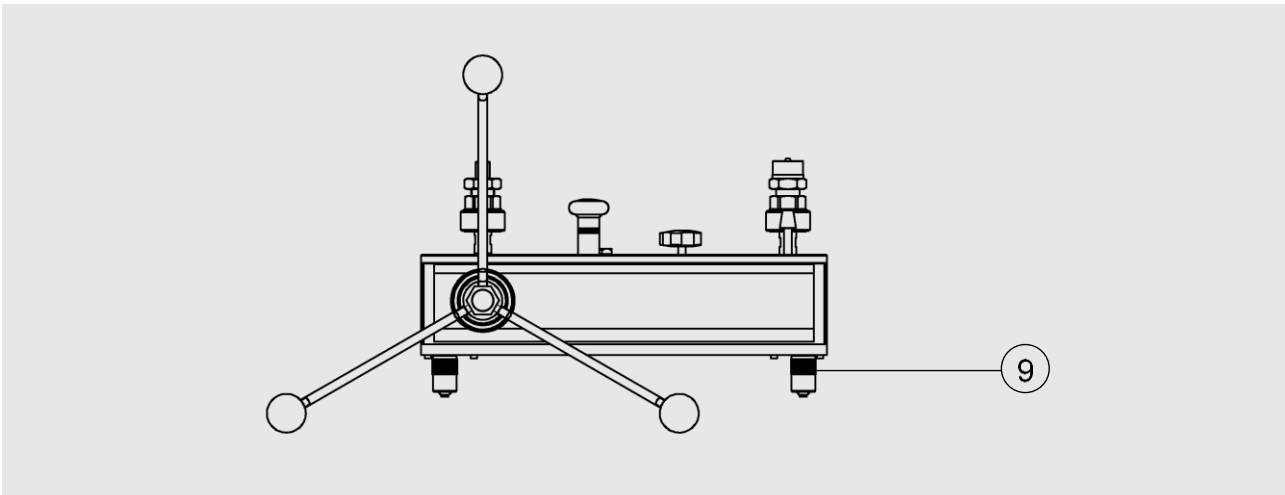
4. Design and Function

EN

View from above:



Front View:



- 1. Connection for device under test or reference instrument
- 2. Water level
- 3. Initial pressure pump
- 4. Spindle pump
- 5. Screwed drain plug for tank

- 6. Connection for device under test or reference instrument
- 7. High-pressure shut-off valve (HP)
- 8. Low-pressure shut-off valve (LP)
- 9. Adjustable Feet's

5. Transport, packaging and storage

5.1 Transport

Check the comparison test pump model CPP7000-X for any damage that may have been caused by transport.

Obvious damage must be reported immediately.



CAUTION!

Damage through improper transport

With improper transport, a high level of damage to property can occur.

- ▶ When unloading packed goods upon delivery as well as during internal transport, proceed carefully and observe the symbols on the packaging.
- ▶ With internal transport, observe the instructions in chapter 5.2 Packaging and storage.

If the instrument is transported from a cold into a warm environment, the formation of condensation may result in instrument malfunction. Before putting it back into operation, wait for the instrument temperature and the room temperature to equalise.

5.2 Packaging and storage

Do not remove packaging until just before mounting.

Keep the packaging as it will provide optimum protection during transport (e.g. change in installation site, sending for repair).

Permissible conditions at the place of storage:

- Storage temperature: 15 ... 35 °C
- Humidity: 35 ... 85 % relative humidity (no condensation)

Avoid exposure to the following factors:

- Direct sunlight or proximity to hot objects
- Mechanical vibration, mechanical shock (putting it down hard)
- Soot, vapour, dust and corrosive gases
- Hazardous environments, flammable atmospheres

6. Commissioning, operation

EN

Personnel: Skilled personnel

Protective equipment: Wear safety goggles

Tools: Open-ended spanner SW 36

Only use original parts (see chapter 11 Accessories)

6.1 Preparation



CAUTION!

Before every operation it has to be checked, that all control elements of the comparison test pump model CPP7000-X are fixed correctly and there are no visible damages at the instrument.

6.1.1 Setting up the device

- Set up the comparison test pump on a solid surface. If it is not resting on a solid foundation or is subject to vibrations, measurements could be affected. This should be avoided.
- The water level should be used to align the device. Using the adjustable feeds, position the device so that it is horizontal.
- The oil reservoir may need to be filled, or refilled (volume 250 ml). For this purpose, the locking screw with the oil filling symbol on top of the basement must be opened. Special oil must be used for refilling (0,5 litre supplied, or available as accessory). The system must be vented before initial filling, or after a complete oil change. For this purpose, please proceed according section 8.2 Changing the hydraulic oil.
- Place the star handle with knobs onto the spindle pump. Ensure that the spring-loaded thrust pad engages into the star handle bushing.
- We recommend unscrewing the spindle pump completely when you start to record measurement values, (turning anticlockwise) to allow enough volume for measurements. The outlet valve must be opened during this process.

6.1.2 Connecting the test specimen and the reference instrument

**WARNING!**

Before releasing the closure plugs in the test connections, ensure that the system (spindle pump turned back completely counter-clockwise, open high-pressure shut-off valve, open low-pressure shut-off valve) is depressurised. (see Figure 6.2.1-1 Closing Direction of the valves)

**Information**

The closure plugs serve to seal off the test connections from oil leaks, or from any penetrating contamination. It may not be pressurized under any circumstances.

- The test connections have a knurled nut with a G $\frac{3}{4}$ female thread, in which various threaded connecting adapters may be screwed into. 2 threaded adapters with M16 x 1.5 male thread are included in the scope of delivery as standard equipment:

**CAUTION!**

Max. torque for device under test and reference instrument and connection columns:

< 4000 bar → 30 Nm

> 4000 bar → 45 Nm

Please check also the labeling on the instrument!

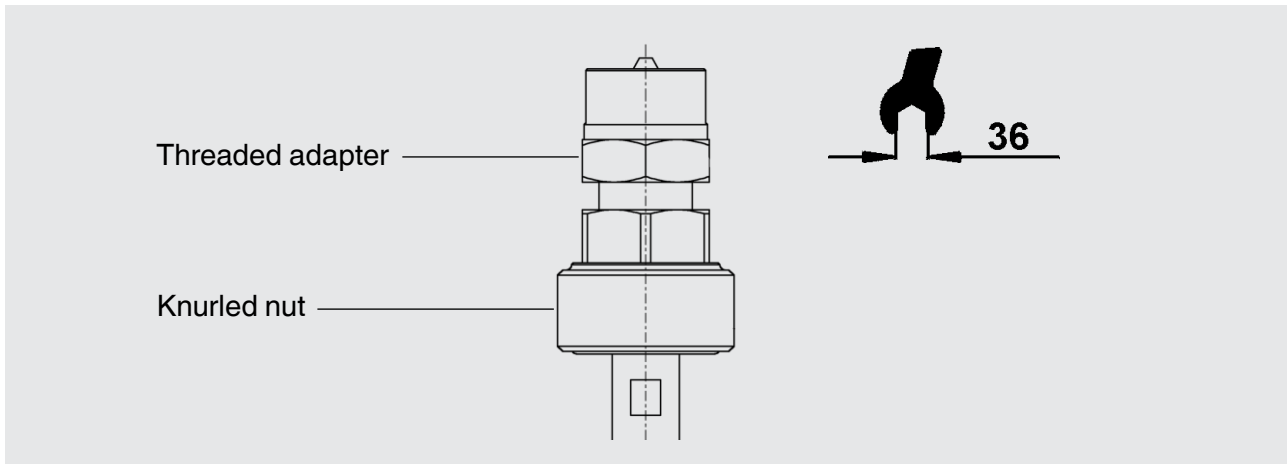
**Information**

Connecting adapters with M20 x 1.5 male thread and 9/16-18UNF male thread with sealing cone and a connecting adapter with G $\frac{1}{2}$ female thread with an O-ring seal are available as accessories. (see chapter 11 Accessories)

**DANGER!**

The maximum pressure permitted with the use of the G $\frac{1}{2}$ female adapter with an O-ring seal is limited to 1600 bar (23,200 psi).

- First, install the matching threaded adapters on your device under test and reference instrument.
- Then connect the device under test and the reference instrument, including the installed threaded adapters, to the knurled nut of the test connections at the test pump. The free-running knurled nut enables the orientation of the instruments. Firmly tighten the knurled nut and the threaded adapter with an open-ended spanner in the desired clamping position. The wrench width for the knurled nut and the threaded adapter is SW 36.



Information

Additional sealing elements are not required. Sealing is performed purely metallic using a sealing cone.

6.1.3 Venting the system

After the clamping of the test specimen and the reference instrument, air may be trapped in the system. The system may be vented before beginning with calibration using the following procedure:

- The test specimen and the reference instrument must be clamped
- Close the low-pressure shut-off valve
- Open the high-pressure shut-off valve
- Generate a pressure of approximately 50 bar (725 psi) using the initial pressure pump
- Close the high-pressure shut-off valve
- Increase the pressure with the spindle pump until just below the final value of the measuring range of the test specimen or of the reference instrument (the smaller pressure range is the decisive factor).
- Carefully open the high-pressure shut-off valve, any trapped air will escape into the tank
- Open the low-pressure shut-off valve

This procedure may need to be repeated several times in order to remove all trapped air.

Opening the high-pressure shut-off valve without first turning out the spindle pump in counterclockwise direction in order to relieve the system on initial pressure is permitted only with the venting procedure described herein.

**WARNING!**

After generating initial pressure, the high-pressure shut-off valve must always be closed before pressure is increased using the spindle pump. An integrated safety overflow valve (adjusted to approximately 100 bar (1,450 psi)) additionally protects the low-pressure circulation from any errors on the operator's part.

The device is now ready to use.

6.2 Operation

EN

**WARNING!**

The maximum permissible pressure for the comparison test pump model CPP7000-X is 7,000 bar (100,000 psi). Higher pressures may damage the pump. The reference instrument, device under test and any connecting tubes that are used must not be subjected to pressures above the maximum permissible level.

**DANGER!**

Do not apply higher pressure than the maximum permitted pressure of the used accessories. The original accessories are marked with the maximum permitted pressure.

6.2.1 Increasing the pressure

**Information**

We recommend unscrewing the spindle pump completely before you start to record measurement values, (turning anticlockwise) to allow enough volume for measurements. The low-pressure and high-pressure shut-off valve must be opened during this process.

- The system must first be filled with oil and pre-compressed.
For this, the valves must be in the basic position:
 - Low-pressure shut-off valve closed
 - High-pressure shut-off valve opened

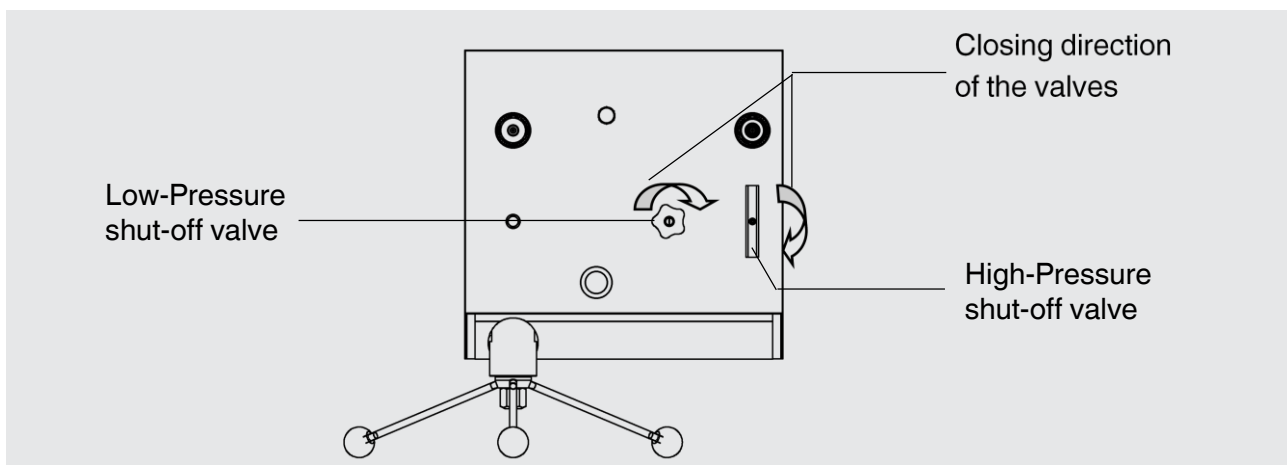


Figure 6.2.1-1 Closing Direction of the valves

- Then run the initial pressure pump for several strokes. The pressure increases to a maximum of about 50 bar (725 psi) (depending on the volume of the connected instruments).

**CAUTION!**

- ▶ Before generating initial pressure, check if the user handles are tightened (e. g. black plastic topping of the priming pump).
 - ▶ Before generating initial pressure, check if the connection to your device under test and reference instrument is tightened.
 - ▶ See max. torque for connection and test item column. (see chapter 6.1.2)
- The high-pressure shut-off valve must be closed after pre-pressure generation.
 - After that, increase the pressure resp. make a fine adjustment by turning the built-in spindle pump clockwise to approach the calibration points.

**WARNING!**

After generating initial pressure, the high-pressure shut-off valve must always be closed before pressure is increased using the spindle pump. An integrated safety overflow valve (adjusted to approximately 100 bar (1,450 psi)) additionally protects the low-pressure circulation from any errors on the operator's part.

- Now you can compare the indication of the test specimen with the reference instrument at each calibration point.

**Information**

If small amounts of air are compressed in the system together with medium, the test pressure that has been generated first drops off slightly. After this it must be readjusted.

A longer waiting time before stable operating conditions are reached should be expected at higher pressures than at lower pressures.

6.2.2 Decreasing the pressure

- Turn the spindle pump anticlockwise to release pressure in the system.
- If the pressure is close to the next test level, make the fine adjustment with the spindle pump.
- Once the spindle pump is turned back completely anticlockwise, only the initial pressure remains in the system.
- Now the high-pressure shut-off valve can be opened.



WARNING!

Open the high-pressure shut-off valve only if the pressure in the system has been relieved to initial pressure. For this purpose, always first turn the spindle pump back completely anticlockwise.

- The initial pressure can be further relieved by carefully opening the low-pressure shut-off valve.
- By completely opening the low-pressure shut-off valve, the initial pressure will completely escape back into the tank.
- The system is now completely relieved.



WARNING!

Even if you wish to relieve the system from a high pressure completely down to zero immediately, the spindle pump must first be completely turned back anticlockwise. Then open the high-pressure shut-off valve, and subsequently open the low-pressure shut-off valve. The initial pressure then escapes completely into the tank. The system is now completely relieved.

6.3 Disassembly

- After all pressure points have been recorded, ensure that the system is depressurised (see chapter 6.2.2 Decreasing the pressure).
- Now the device under test and the reference instrument can be removed from the test connections.



DANGER!

Do not disconnect the device under test or the reference instrument until the pressure in the comparison test pump has not been completely released.

- The handle bars of the star handle can now be unscrewed from the spindle pump.

7. Faults

Personnel: Skilled personnel

Protective equipment: Wear safety goggles

Tools: Open-ended spanner SW 36

Only use original parts (see chapter 11 Accessories)



WARNING!


If faults cannot be repaired, the system must be put out of operation immediately and this information is to be given to the manufacturer.

Repairs must only be carried out by the manufacturer. Interventions and changes on the appliance are not allowed.

In case of faults caused by defects of the hydraulic equipment the operators must inform their superiors immediately and call in the qualified and authorised technical staff for maintenance.

Faults	Causes	Measures
Unable to build up pressure during pre-pressure generation	<ul style="list-style-type: none"> ■ There could be a leakage in the process ■ Not enough operating fluid is inside the reservoir. 	<ul style="list-style-type: none"> ■ Close low-pressure shut-off valve Correctly <div style="text-align: center;"> </div> <p>Caution: Do not tighten the shut-off valve more than finger tight. Otherwise the valve seat could be damaged.</p> <ul style="list-style-type: none"> ■ Check whether there is enough operating fluid in the tank.
Unable to build up pressure / oil discharge at the test connections	Leakage at the connection for the device under test or reference instrument.	<ul style="list-style-type: none"> ■ Tighten the device under test and the reference instrument with the connecting adapter and knurled nut (see section 6.1.2) ■ In case of wear or damage to the sealing cone, proceed as described in section 8.1.1.

EN

Faults	Causes	Measures
<p>Unable to build up further pressure at highpressure generation with the spindle pump</p>	<p>The high-pressure shut-off valve is opened</p>	<p>Close high-pressure shut-off valve correctly</p> <p> Information: In case of an opened, or not properly closed high-pressure shut-off valve, the safety overflow valve is not activated until approximately 100 bar are reached, and the oil will flow back into the tank. Therefore, no pressure > 100 bar can be built up.</p>
<p>Unable to build up pressure, or range cannot be reached</p>	<ul style="list-style-type: none"> ■ Air is in the system ■ The connected device under test has a very big volume 	<ul style="list-style-type: none"> ■ After the clamping of the test specimen and the reference instrument, air may be trapped in the system. ■ The system has to be vented before beginning with calibration. For this purpose, proceed according to section 6.1.3. ■ Afterwards, build the pressure back up.
<p>Slow lowering of the pressure</p>	<ul style="list-style-type: none"> ■ Leak in the system, see fault 2. ■ Small amounts of air are compressed in the system together with medium. ■ After the clamping of the test specimen and the reference instrument, air may be trapped in the system, see fault 4. 	<ul style="list-style-type: none"> ■ The test pressure that has been generated first drops off slightly. After this it must be readjusted. Please wait a short time, till the pressure gets stable. ■ If the system is pressurized quickly, it takes a certain time (< 1 minute) until it can stabilize thermally. The pressure should then be adjusted accordingly. ■ Afterwards, build the pressure back up.

8. Maintenance, cleaning and servicing

Personnel: Skilled personnel

Protective equipment: Wear safety goggles

Tools: Open-ended spanner SW 36, suitable nozzle

8.1 Maintenance

Repairs has to be carried out only by the manufacturer. This does not apply for changing the hydraulic oil. (see chapter 8.2 Changing the hydraulic oil)

Only use original parts (see chapter 11 Accessories)

8.1.1 Wear parts

Sealing in the test connections is purely metallic using a sealing cone. The individual components are made of wear-proof materials. Should the seal faces show signs of wear or damage on the interior or exterior cone, the components must be replaced. In this case, please contact WIKA.

8.2 Changing the hydraulic oil



Information

The hydraulic oil should be changed whenever visible contamination is present. The contamination of the hydraulic oil has to be checked frequently.

8.2.1 Removing hydraulic oil

- Open the locking screw with the oil filling symbol on top of the basement
- Siphon the oil out of the reservoir, for example, by using a suitable nozzle
- Small amounts of oil residue additionally may be siphoned off the test connections opened. For this purpose, the spindle pump must be slowly turned in clockwise with the low-pressure and high-pressure shut-off valves open.
- Minute amounts of oil residue may remain in the piping.



Information

In case of severe contamination of the hydraulic oil, the complete cleaning of the piping and of all media-contacted individual components of the basement in a dismantled state may be advisable. This procedure may be performed by the manufacturer only.



CAUTION!

Waste oil must be disposed of according to legal requirements.

8.2.2 Filling in of hydraulic oil

- Open the high-pressure shut-off valve (see Figure 6.2.1-1 Closing Direction of the valves)
- Open the low-pressure shut-off valve (see Figure 6.2.1-1 Closing Direction of the valves)
- Turn in the spindle pump clockwise until it reaches the initial stop
- Open the locking screw with the oil filling symbol on top of the basement
- Fill in special oil (0.5 liter supplied, or available as accessory) via the tank opening, until the fill level reaches the thread of the tank opening (approximately 250ml). The fill level must always be observed.
- Twist out the spindle pump anticlockwise until it reaches the rear stop. The filling medium is suctioned out of the tank into the system.
- Close the tank opening with the locking screw

8.2.3 Venting of the system (after complete filling only)

After initial filling, or after a complete oil change, air may be trapped in the system. The system should be vented using the following procedure:

- Open the high-pressure shut-off valve (see Figure 6.2.1-1 Closing Direction of the valves)
- Open the low-pressure shut-off valve (see Figure 6.2.1-1 Closing Direction of the valves)
- The test connections must be open
- Twist out the spindle pump counter-clockwise until it reaches the rear stop.
- Carefully pump using the initial pressure pump, while continuously observing the filling medium in the open test connections. At this point, trapped air escapes toward the exterior by means of the formation of bubbles. The initial pressure pump must be actuated until air bubbles no longer appear.
- Any oil escaping in the open test connections should be siphoned off, for example, with a nozzle.

8.3 Cleaning

- Before cleaning, make sure that the comparison test pump model CPP7000-X is unpressurised.
- Clean the instrument with a moist cloth.



CAUTION!

Damage to the instrument

Improper cleaning may lead to damage to the instrument!

- ▶ Do not use any aggressive cleaning agents.
- ▶ Do not use any hard or pointed objects for cleaning.

- Wash or clean the instrument, in order to protect persons and the environment from exposure to residual media.

9. Dismounting, return and disposal

Personnel: Skilled personnel

Protective equipment: Wear safety goggles

Tools: Open-ended spanner SW 36



WARNING!

Physical injuries and damage to property and the environment through residual media

Residual media in the dismantled instrument can result in a risk to persons, the environment and equipment.

- ▶ Wear the requisite protective equipment.
(see chapter 3.5 Personal protective equipment)
- ▶ Observe the information in the material safety data sheet for the corresponding medium.
- ▶ Wash or clean the dismantled instrument, in order to protect persons and the environment from exposure to residual media.

9.1 Dismounting



WARNING!

Physical injury

When dismantling, there is a danger from residual media and high pressures.

- ▶ Wear the requisite protective equipment.
(see chapter 3.5 Personal protective equipment)
- ▶ Observe the information in the material safety data sheet for the corresponding medium.
- ▶ Only disconnect the pressure measuring instrument/measuring assembly/test and calibration installations once the system has been depressurized.

9.2 Return

EN



WARNING!

Physical injuries and damage to property and the environment through residual media

Residual media in the dismounted instrument can result in a risk to persons, the environment and equipment.

- ▶ With hazardous substances, include the material safety data sheet for the corresponding medium.
- ▶ Clean the instrument, see chapter 8.2 “Cleaning”.

When returning the instrument, use the original packaging or a suitable transport packaging.

To avoid damage:

1. Place the instrument along with shock-absorbent material in the packaging. Place shock-absorbent material evenly on all sides of the transport packaging.
2. If possible, place a bag containing a desiccant inside the packaging.
3. Label the shipment as carriage of a highly sensitive measuring instrument.



Information:

Information on returns can be found under the heading “Service” on our local website.

9.3 Disposal

Incorrect disposal can put the environment at risk.

Dispose of instrument components and packaging materials in an environmentally compatible way and in accordance with the country-specific waste disposal regulations.


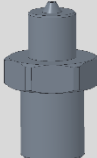

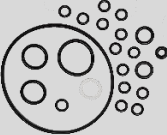
10. Specifications

CPP7000-X	
Pressure range	0 ... 7,000 bar (0 ... 100,000 psi)
Pressure transmission medium	Sebacate oil
Reservoir	250 cm ³
Druckanschlüsse	
Test connection	2 x knurled nut G 3/4 female, freely rotating with sealing cone, incl. interchangeable adapter to M16 x 1.5 male with sealing cone
Distance between test connections	346 mm (13.6 in)
Piston of the comparison test pump	
Piston diameter	7.5 mm (0.3 in)
Displacement per revolution	approx. 0.08 cm ³
Overall displacement	approx. 2.5cm ³
Material	
Cylinder	Stainless steel
Piston	hardened stainless steel
Piping	1.4404 stainless steel, 6 x 2 mm (0.2 x 0.1 in)
Sealings	NBR
Permissible operating temperature	18 ... 28 °C (64 ... 82 °F)
Instrument base	
Stationary mounting	Stable base
Dimensions (L x W x H)	460 x 445 x 265 mm (18.1 x 17.5 x 10.4 in)
Weight	32.5 kg (71.7 lbs.)

For further specifications see WIKA data sheet CT 91.13 and the order documentation.

11. Accessories

EN

		Order code
Description		CPP-A-D
	Sebacate oil in plastic bottle, content 0.5 litre	-D1-
	Adapters for connection column, M16 x 1.5 male with sealing cone, mat.: Hardened stainless steel	-D2-
	for connection column, M20 x 1.5 male with sealing cone, mat.: Hardened stainless steel	-D3-
	for connection column, 9/16-18 UNF male with sealing cone, mat.: Hardened stainless steel	-D4-
	for connection column, G ½ female with O-ring, max. 1,600 bar (23,200 psi), mat.: 1.4571	-D5-
	Mounting kit 2 x open-ended spanner M36	-D6-
	Sealing set	-D7-
Ordering information for your enquiry:		
1. Order code: CPP-A-D		↓
2. Option:		[]

WIKA accessories can be found online at www.wika.com.



EU-Konformitätserklärung EU Declaration of Conformity

Dokument Nr.: 14232780.01
Document No.:

Wir erklären in alleiniger Verantwortung, dass die mit CE gekennzeichneten Produkte
We declare under our sole responsibility that the CE marked products

Typenbezeichnung: CPP7000-X
Type Designation:

Beschreibung: Vergleichsprüfpumpe
Description: Comparison test pump

gemäß gültigem Datenblatt: CT 91.05
according to the valid data sheet:

die wesentlichen Schutzanforderungen der folgenden Richtlinien erfüllen: **Harmonisierte Normen:**
comply with the essential protection requirements of the directives: **Harmonized standards:**

2014/68/EU Druckgeräterichtlinie (DGRL) ⁽¹⁾
Pressure Equipment Directive (PED) ⁽¹⁾

(1) PS > 200 bar, Modul A, druckhaltendes Ausrüstungsteil
PS > 200 bar, Module A, pressure accessory

Unterzeichnet für und im Namen von / Signed for and on behalf of

WIKAI Alexander Wiegand SE & Co. KG

Klingenberg, 2018-01-26

Christian Splitthoff, Vice President
Calibration Technology

Harald Hartl, Manager Quality Assurance
Calibration Technology

WIKAI Alexander Wiegand SE & Co. KG
Alexander-Wiegand-Straße 30
63911 Klingenberg
Germany

Tel. +49 9372 132-0
Fax +49 9372 132-406
E-Mail info@wika.de
www.wika.de

Kommanditgesellschaft, Sitz Klingenberg –
Amtsgericht Aschaffenburg HRA 1819
Komplementärin: WIKAI Verwaltung SE & Co. KG –
Sitz Klingenberg – Amtsgericht Aschaffenburg
HRA 4685

Komplementärin:
WIKAI International SE - Sitz Klingenberg -
Amtsgericht Aschaffenburg HRB 10605
Vorstand: Alexander Wiegand
Vorsitzender des Aufsichtsrats: Dr. Max Egli

The form consists of a large rectangular area. The top portion is a blank white space. The bottom portion is a grid of small squares, approximately 20 columns wide and 25 rows high, intended for taking notes or calculations.

Inhalt

1.	Allgemeines	33
2.	Kurzübersicht.....	34
2.1	Überblick	34
2.2	Beschreibung	34
2.3	Lieferumfang.....	35
3.	Sicherheit	36
3.1	Symbolerklärung.....	36
3.2	Bestimmungsgemäße Verwendung	36
3.3	Fehlgebrauch.....	37
3.4	Personalqualifikation.....	38
3.5	Persönliche Schutzausrüstung.....	38
3.6	Beschilderung, Sicherheitskennzeichnungen	39
3.6.1	Typenschild	39
3.6.2	Symbols.....	39
4.	Aufbau und Funktion	40
5.	Transport, Verpackung und Lagerung	41
5.1	Transport	41
5.2	Verpackung und Lagerung	41
6.	Inbetriebnahme, Betrieb.....	42
6.1	Vorbereitung	42
6.1.1	Aufstellung des Gerätes	42
6.1.2	Anschluss des Prüflings und des Referenzmessgerätes	43
6.1.3	Entlüftung des Systems	45
6.2	Betrieb	46
6.2.1	Druckerhöhung	46
6.2.2	Druckreduzierung	48
6.3	Abbau	48
7.	Störungen.....	49
8.	Wartung, Reinigung und Service	51
8.1	Wartung.....	51
8.1.1	Verschleißteile	51
8.2	Austausch des Hydrauliköls	51
8.2.1	Hydrauliköl entfernen	51
8.2.2	Hydrauliköl einfüllen.....	52
8.2.3	Entlüftung des Systems (nur nach Komplettbefüllung).....	52

8.3	Reinigung	52
9.	Demontage, Rücksendung und Entsorgung	53
9.1	Demontage	53
9.2	Rücksendung	54
9.3	Entsorgung	54
10.	Technische Daten	55
11.	Zubehör	56

Konformitätserklärungen finden Sie online unter www.wika.de.

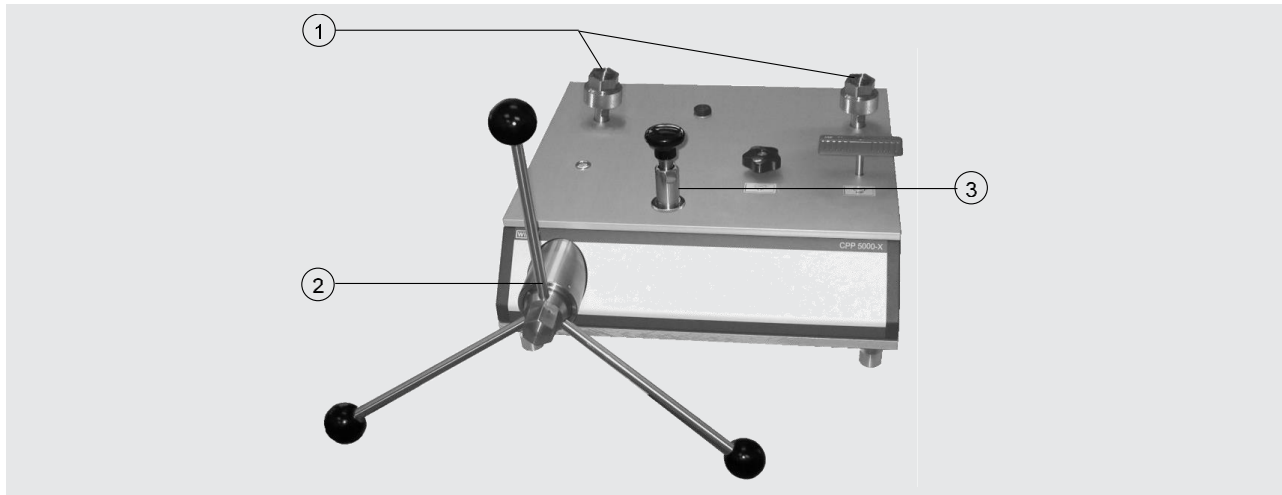
1. Allgemeines

- Die in der Betriebsanleitung beschriebene Vergleichsprüfpumpe Typ CPP7000-X wird nach dem aktuellen Stand der Technik gefertigt. Alle Komponenten unterliegen während der Fertigung strengen Qualitäts- und Umweltkriterien. Unsere Managementsysteme sind nach ISO 9001 und ISO 14001 zertifiziert.
- Diese Betriebsanleitung gibt wichtige Hinweise zum Umgang mit der Vergleichsprüfpumpe Typ CPP7000-X. Voraussetzung für sicheres Arbeiten ist die Einhaltung aller angegebenen Sicherheitshinweise und Handlungsanweisungen.
- Die für den Einsatzbereich des Gerätes geltenden örtlichen Unfallverhütungsvorschriften und allgemeinen Sicherheitsbestimmungen einhalten.
- Die Betriebsanleitung ist Produktbestandteil und muss in unmittelbarer Nähe des Gerätes für das Fachpersonal jederzeit zugänglich aufbewahrt werden. Betriebsanleitung an nachfolgende Benutzer oder Besitzer des Gerätes weitergeben.
- Das Fachpersonal muss die Betriebsanleitung vor Beginn aller Arbeiten sorgfältig durchgelesen und verstanden haben.
- Es gelten die allgemeinen Geschäftsbedingungen in den Verkaufsunterlagen.
- Technische Änderungen vorbehalten.
- Weitere Informationen:
 - Internet-Adresse: www.wika.de / www.wika.com
 - Zugehöriges Datenblatt: CT 91.13
 - Anwendungsberater: Tel.: +49 9372 132-0
Fax: +49 9372 132-406
info@wika.de

2. Kurzübersicht

DE

2.1 Überblick



1. Anschluss für den Prüfling oder Referenzmessgerät
2. Spindelpumpe
3. Vordruckpumpe

2.2 Beschreibung

Prüfpumpen dienen zur Druckerzeugung für die Überprüfung, Justage und Kalibrierung von mechanischen und elektronischen Druckmessgeräten durch Vergleichsmessungen. Diese Druckprüfungen können stationär in Labor, Werkstatt oder vor Ort an der Messstelle stattfinden.

Die Vergleichsprüfpumpe verfügt über 2 Anschlüsse für Prüfling und Referenzmessgerät, die in beliebiger Reihenfolge nutzbar sind. Schließt man das zu prüfende Gerät und ein hinreichend genaues Referenzmessgerät an der Prüfpumpe an, so wirkt bei Betätigung der Pumpe auf beide Messgeräte der gleiche Druck. Durch Vergleich der beiden Messwerte bei beliebigen Druckwerten kann eine Überprüfung der Genauigkeit bzw. eine Justage des zu prüfenden Druckmessgerätes erfolgen. Die Einstellung des Druckes erfolgt zunächst über eine integrierte Vordruckpumpe. Zur Feineinstellung beim Anfahren der Messpunkte steht ein regelbares Volumen mit Präzisionsspindel zur Verfügung. Die Pumpen sind zudem durch die nur innerhalb des Pumpenkörpers laufende Drehspindel charakterisiert. Damit entfällt ein nachteiliges Biegemoment auf eine herausgedrehte Spindel und speziell für den Feldeinsatz besteht damit der Vorteil, dass sich die Abmessungen dieser Pumpen während des Betriebes durch das Drehen der Spindel nicht verändern.



Information

Die Bezeichnung "Referenzmessgerät" in diesem Handbuch bezieht sich auf jedes Druckmessgerät wie: Federmanometer, elektrisches Druckmessgerät und Druckmessumformer mit elektrischem Ausgang. Die Vergleichsprüfpumpe ist nur so genau wie das verwendete Referenzdruckmessgerät. Das Referenzdruckmessgerät sollte regelmäßig rekali­briert werden, um sicherzustellen, dass seine Genauigkeit beibehalten wird..

2.3 Lieferumfang

- Vergleichsprüfpumpe Typ CPP7000-X mit Vordruckpumpe zum Füllen, Spindelpumpe zum Druckaufbau und Druckfeineinstellung
- Zwei Prüfanschlüsse mit M16 x 1,5 Außengewinde, freilaufend, wechselbar, mit Dichtkonus
- Sebacateöl in Kunststoffflasche, Inhalt 0,5 Liter
- 3 Handgriffe
- Betriebsanleitung in deutscher und englischer Sprache
- Staubschutz-Haube

Lieferumfang mit dem Lieferschein abgleichen.

3. Sicherheit

DE

3.1 Symbolerklärung



GEFAHR!

... weist auf eine unmittelbar gefährliche Situation hin, die zum Tod oder zu schweren Verletzungen führt, wenn sie nicht gemieden wird.



WARNUNG!

... weist auf eine möglicherweise gefährliche Situation hin, die zum Tod oder zu schweren Verletzungen führen kann, wenn sie nicht gemieden wird.



VORSICHT!

... weist auf eine möglicherweise gefährliche Situation hin, die zu geringfügigen oder leichten Verletzungen bzw. Sach- und Umweltschäden führen kann, wenn sie nicht gemieden wird..



Information

... hebt nützliche Tipps und Empfehlungen sowie Informationen für einen effizienten und störungsfreien Betrieb hervor.

3.2 Bestimmungsgemäße Verwendung

Die Vergleichsprüfpumpe Typ CPP7000-X dient zur Druckerzeugung für die Überprüfung, Justage und Kalibrierung von mechanischen und elektronischen Druckmessgeräten durch Vergleichsmessungen. Diese Druckprüfungen können stationär in Labor, Werkstatt oder vor Ort an der Messstelle stattfinden.

Dieses Gerät ist nicht für den Einsatz in explosionsgefährdeten Bereichen zugelassen!

Das Gerät ist ausschließlich für den hier beschriebenen bestimmungsgemäßen Verwendungszweck konzipiert und konstruiert und darf nur dementsprechend verwendet werden.

Die technischen Spezifikationen in dieser Betriebsanleitung sind einzuhalten. Eine unsachgemäße Handhabung oder ein Betreiben des Gerätes außerhalb der technischen Spezifikationen macht die sofortige Stilllegung und Überprüfung durch einen autorisierten WIKA-Service Mitarbeiter erforderlich.

Wenn anzunehmen ist, dass das Gerät nicht mehr gefahrlos betrieben werden kann, so ist es außer Betrieb zu setzen und vor einer Wiederinbetriebnahme durch Kennzeichnung zu sichern. Die Sicherheit des Benutzers kann durch das Gerät beeinträchtigt sein, wenn es zum Beispiel:

- Sichtbare Schäden aufweist.
- Nicht mehr wie vorgeschrieben arbeitet.
- Längere Zeit unter ungeeigneten Bedingungen gelagert wurde.

In Zweifelsfällen das Gerät grundsätzlich an den Hersteller zur Reparatur bzw. Wartung einschicken.

Die Vergleichsprüfpumpe Typ CPP7000-X ist stets mit der für ein Präzisionsgerät erforderlichen Sorgfalt zu behandeln (vor Nässe, Stößen und extremen Temperaturen schützen). Das Gerät muss pfleglich behandelt werden (nicht werfen, aufschlagen, etc.) und ist vor Verschmutzung zu schützen. Vermeiden Sie unbedingt jegliche Gewalteinwirkung auf die Bedienelemente der Vergleichsprüfpumpe Typ CPP7000-X.

Die einwandfreie Funktion und Betriebssicherheit des Gerätes kann nur unter Berücksichtigung der im Kapitel 6.1.1 Aufstellung des Gerätes beschriebenen Bedingungen eingehalten werden.

Ansprüche jeglicher Art aufgrund von nicht bestimmungsgemäßer Verwendung sind ausgeschlossen.



Information

Das Sicherheitsdatenblatt des verwendeten Mediums finden Sie auf der Produktseite CPP7000-X unter www.wika.de oder wenden Sie sich an Ihren lokalen Händler.



WARNUNG!

Verwenden Sie ausschließlich Zubehör wie z.B. Gewintheadapter, welches für den Druckbereich bzw. das verwendete Medium geeignet ist.



WARNUNG!

Zur Gewährleistung des sicheren Betriebs der Vergleichsprüfpumpe ist eine regelmäßige Inspektion notwendig. Diese Inspektion darf nur vom Hersteller durchgeführt werden und muss alle drei Jahre durchgeführt werden.

3.3 Fehlgebrauch



WARNUNG!

Verletzungen durch Fehlgebrauch

Verletzungen durch Fehlgebrauch Fehlgebrauch des Gerätes kann zu gefährlichen Situationen und Verletzungen führen.

- ▶ Eigenmächtige Umbauten am Gerät unterlassen.
- ▶ Gerät nicht in explosionsgefährdeten Bereichen einsetzen.
- ▶ Der Maximaldruck von 7.000 bar (100.000 psi) darf nicht überschritten werden!
- ▶ Es dürfen nur Original-Dichtungen im Gerät verwendet werden.
- ▶ Zur Wartung oder Reparatur muss das Gerät zum Hersteller eingesandt werden!

Jede über die bestimmungsgemäße Verwendung hinausgehende oder andersartige Benutzung gilt als Fehlgebrauch.

3.4 Personalqualifikation

DE



WARNUNG!

Verletzungsgefahr bei unzureichender Qualifikation

Unsachgemäßer Umgang kann zu erheblichen Personen- und Sachschäden führen.

- ▶ Die in dieser Betriebsanleitung beschriebenen Tätigkeiten nur durch Fachpersonal nachfolgend beschriebener Qualifikation durchführen lassen.

Fachpersonal

Das vom Betreiber autorisierte Fachpersonal ist aufgrund seiner fachlichen Ausbildung, seiner Kenntnisse der Mess- und Regelungstechnik und seiner Erfahrungen sowie Kenntnis der landesspezifischen Vorschriften, geltenden Normen und Richtlinien in der Lage, die beschriebenen Arbeiten auszuführen und mögliche Gefahren selbstständig zu erkennen.

3.5 Persönliche Schutzausrüstung

Die persönliche Schutzausrüstung dient dazu, das Fachpersonal gegen Gefahren zu schützen, die dessen Sicherheit oder Gesundheit bei der Arbeit beeinträchtigen könnten. Beim Ausführen der verschiedenen Arbeiten an und mit dem Gerät muss das Fachpersonal persönliche Schutzausrüstung tragen.

Die erforderliche persönliche Schutzausrüstung muss vom Betreiber zur Verfügung gestellt werden.



Schutzbrille tragen!

Schutz der Augen vor umherfliegenden Teilen und Flüssigkeitsspritzern.



WARNUNG!

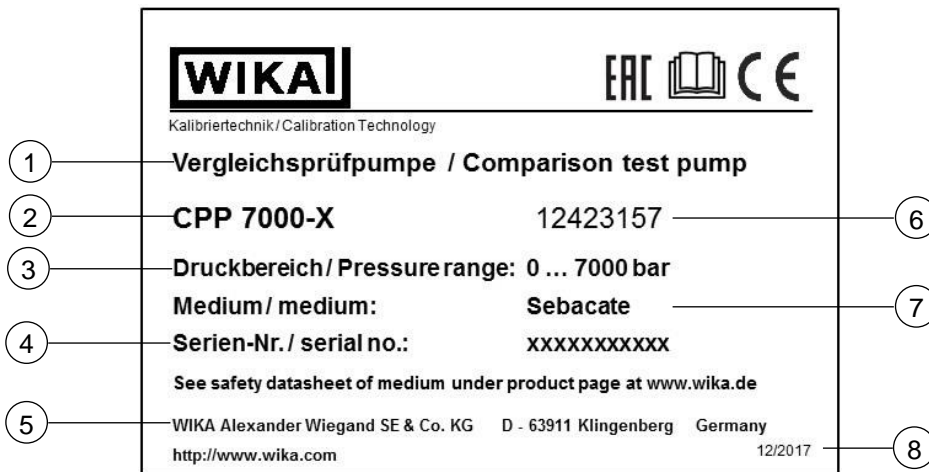
Während dem Betrieb oder dem Durchführen von Wartung oder Reinigungsarbeiten an der Prüfpumpe ist es zwingend erforderlich eine Schutzbrille zu tragen!

Bitte beachten Sie auch die Hinweise in den einzelnen Kapiteln dieser Bedienungsanleitung!

3.6 Beschilderung, Sicherheitskennzeichnungen

3.6.1 Typenschild

Das Typenschild befindet sich auf der Rückseite der Vergleichsprüfpumpe Typ CPP7000-X.



- 1. Produktname
- 2. Typ
- 3. Druckbereich
- 4. Serien-Nummer
- 5. Hersteller
- 6. Bestell-Nummer
- 7. Medium
- 8. Herstellungsdatum

3.6.2 Symbols



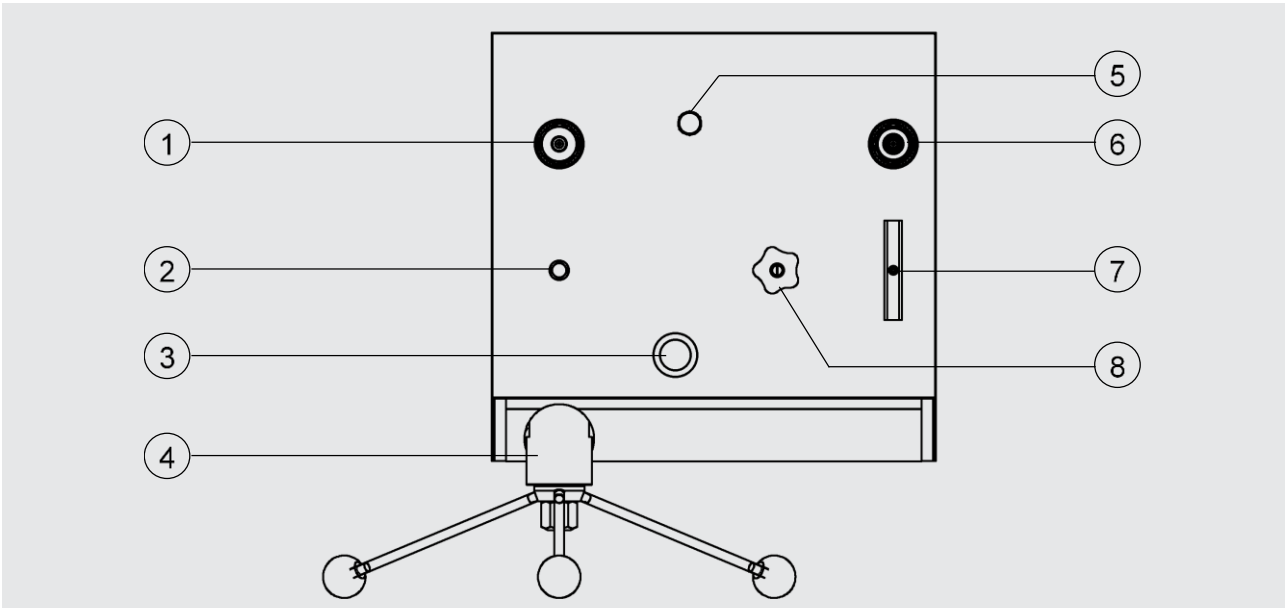
Vor Montage und Inbetriebnahme des Gerätes unbedingt die Betriebsanleitung lesen!



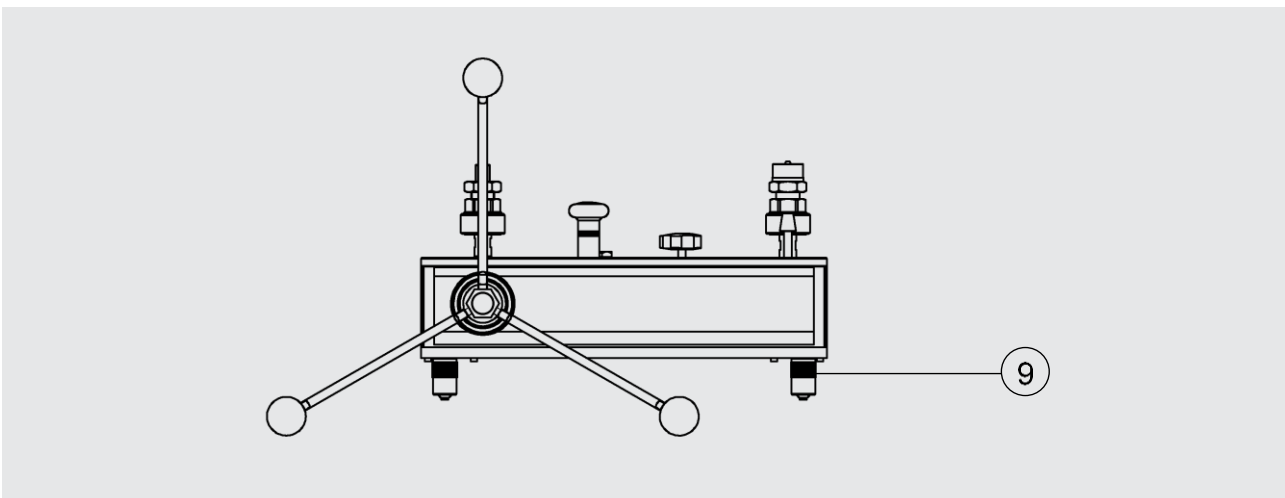
CE, Communauté Européenne
Geräte mit dieser Kennzeichnung stimmen überein mit den zutreffenden europäischen Richtlinien.

4. Aufbau und Funktion

DE Draufsicht:



Frontansicht:



- 1. Anschluss für Prüfling oder Referenzgerät
- 2. Libelle
- 3. Vordruckpumpe
- 4. Spindelpumpe
- 5. Verschlusschrauber Ölbehälter

- 6. Anschluss für Prüfling oder Referenzgerät
- 7. Hochdruck-Absperrventil (HP)
- 8. Niederdruck-Absperrventil (LP)
- 9. Verstellbare FüÙe

5. Transport, Verpackung und Lagerung

5.1 Transport

Die Vergleichsprüfpumpe Typ CPP7000-X auf eventuell vorhandene Transportschäden untersuchen.

Offensichtliche Schäden unverzüglich mitteilen.



VORSICHT!

Beschädigungen durch unsachgemäßen Transport

Bei unsachgemäßem Transport können Sachschäden in erheblicher Höhe entstehen.

- ▶ Beim Abladen der Packstücke bei Anlieferung sowie innerbetrieblichem Transport vorsichtig vorgehen und die Symbole auf der Verpackung beachten.
- ▶ Bei innerbetrieblichem Transport die Hinweise unter Kapitel 5.2 Verpackung und Lagerung beachten.

Wird das Gerät von einer kalten in eine warme Umgebung transportiert, so kann durch Kondensatbildung eine Störung der Gerätefunktion eintreten. Vor einer erneuten Inbetriebnahme die Angleichung der Gerätetemperatur an die Raumtemperatur abwarten.

5.2 Verpackung und Lagerung

Verpackung erst unmittelbar vor der Montage entfernen.

Die Verpackung aufbewahren, denn diese bietet bei einem Transport einen optimalen Schutz (z. B. wechselnder Einbauort, Reparatursendung).

Zulässige Bedingungen am Lagerort:

- Lagertemperatur: 15 ... 35 °C
- Feuchtigkeit: 35 ... 85 % relative Feuchte (keine Betauung)

Folgende Einflüsse vermeiden:

- Direktes Sonnenlicht oder Nähe zu heißen Gegenständen
- Mechanische Vibration, mechanischer Schock (hartes Aufstellen)
- Ruß, Dampf, Staub und korrosive Gase
- Explosionsgefährdete Umgebung, entzündliche Atmosphären

6. Inbetriebnahme, Betrieb

DE

Personal: Fachpersonal

Schutzausrüstung: Schutzbrille tragen

Werkzeuge: Gabelschlüssel SW 36

Nur Originalteile verwenden (siehe Kapitel 11 Zubehör)

6.1 Vorbereitung



VORSICHT!

Vor jeder Verwendung muss sichergestellt werden, dass alle Bedienelemente der Vergleichsprüfpumpe Typ CPP7000-X ordnungsgemäß befestigt sind und keine Beschädigungen aufweisen.

6.1.1 Aufstellung des Gerätes

- Die Vergleichsprüfpumpe auf einer festen Unterlage aufstellen. Ein unsicherer Stand oder Vibrationen beeinflussen die Messung und sollten vermieden werden.
- Die Libelle zeigt die Ausrichtung des Gerätes an. Über die drehbaren Füße wird das Gerät in die Waagrechte gestellt.
- Ggf. muss der Ölvorratsbehälter auf- bzw. nachgefüllt werden (Inhalt 250 ml). Hierzu ist die Verschlusschraube mit dem Öleinfüllsymbol auf der Basentoberseite zu öffnen. Zum Nachfüllen ist Spezialöl zu verwenden (0,5 Liter im Lieferumfang enthalten bzw. als Zubehör erhältlich). Bei Erstbefüllung oder nach einem kompletten Austausch des Öls ist das System zu entlüften. Hierzu ist nach Kapitel 8.2 Austausch des Hydrauliköls vorzugehen.
- Die Griffstangen des Drehkreuzes auf die Spindelpumpe aufschrauben.
- Es empfiehlt sich, die Spindelpumpe zu Beginn der Messwertaufnahme komplett herauszudrehen (im Gegen-Uhrzeigersinn) um genügend Volumen für die Messungen bereit zu stellen. Während dieses Vorgangs ist das Auslass-Ventil zu öffnen.

6.1.2 Anschluss des Prüflings und des Referenzmessgerätes

**WARNING!**

Vor Lösen der Verschlussstopfen in den Prüfanschlüssen, den drucklosen Zustand des Systems (Spindelpumpe im Gegen-Uhrzeigersinn komplett zurückgedreht, Hochdruck-Absperrventil öffnen, Niederdruck-Absperrventil öffnen) sicherstellen. (siehe Abbildung 6.2.1-1 Schließrichtung der Ventile)

**Information**

Die Verschlussstopfen dienen nur zum Verschließen der Prüfanschlüsse gegen auslaufendes Öl oder eindringende Verschmutzung. Sie dürfen auf keinen Fall mit Druck beaufschlagt werden.

- Die Prüfanschlüsse besitzen eine Rändelmutter mit G $\frac{3}{4}$ Innengewinde, in das verschiedene Gewindeanschlussadapter eingeschraubt werden können. Standardmäßig sind im Lieferumfang 2 Gewindeadapter mit M16 x 1,5 Außengewinde mit Dichtkonus enthalten.

**VORSICHT!**

Maximale Anzugsdrehmomente für den Prüfling / Referenzgerät und die Anschlusssäulen:

< 4000 bar → 30 Nm

> 4000 bar → 45 Nm

Bitte auch die Hinweise der Aufkleber am Gerät beachten.

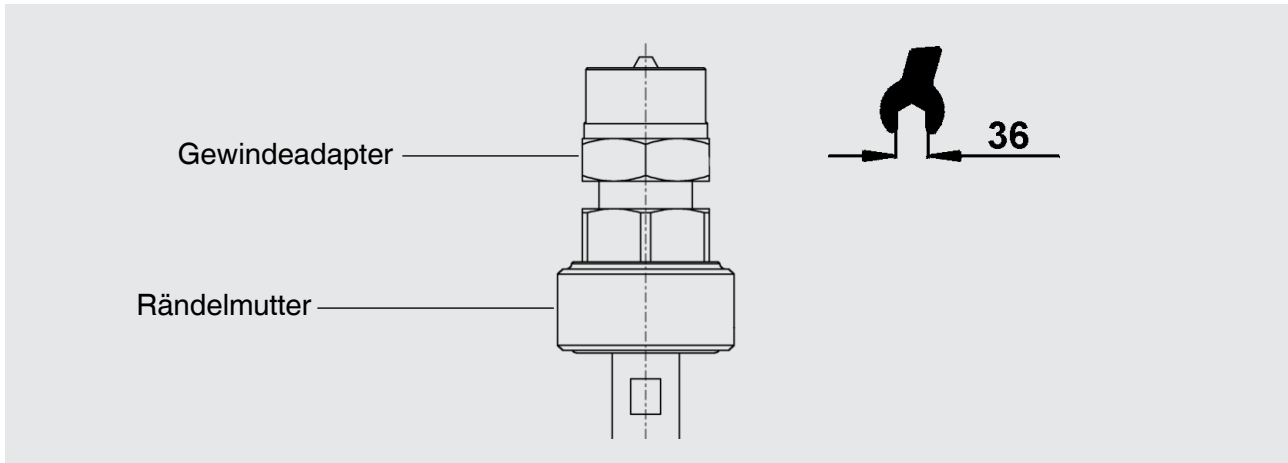
**Information**

Als Zubehör sind Anschlussadapter auf M20 x 1,5 Außengewinde und 9/16-18UNF Außengewinde jeweils mit Dichtkonus, sowie auf G $\frac{1}{2}$ Innengewinde mit O-Ring Abdichtung erhältlich. (siehe Kapitel 11 Zubehör)

**GEFAHR!**

Der maximal zulässige Druck des Adapters G $\frac{1}{2}$ Innengewinde mit O-Ring Abdichtung beträgt 1600 bar (23.200 psi).

- Montieren Sie zunächst die passenden Gewintheadapter an Prüfling und Referenzmessgerät.
- Verbinden Sie anschließend Prüfling und Referenzmessgerät inkl. montierten Gewintheadaptern mit der Rändelmutter der Prüfanschlüsse an der Prüfpumpe. Durch die freilaufende Rändelmutter ist ein Orientieren der Geräte möglich. In der gewünschten Aufspannposition ziehen sie die Rändelmutter und den Gewintheadapter mit einem Gabelschlüssel fest an. Die Schlüsselweite an der Rändelmutter und am Gewintheadapter ist SW 36.



Information

Es sind keine zusätzlichen Dichtelemente erforderlich. Die Abdichtung erfolgt rein metallisch über den Dichtkonus.

6.1.3 Entlüftung des Systems

Nach dem Aufspannen von Prüfling und Referenzgerät können sich Lufteinschlüsse im System befinden. Das System kann vor dem Beginn der Kalibrierung durch folgende Vorgehensweise entlüftet werden:

- Prüfling und Referenzgerät müssen aufgespannt sein
- Niederdruck-Absperrventil schließen
- Hochdruckabsperrentil öffnen
- Über die Vordruckpumpe einen Druck von ca. 50 bar (725 psi) erzeugen
- Hochdruckabsperrentil schließen
- Mit der Spindelpumpe den Druck bis knapp unter den Messbereichsendwert des Prüflings bzw. des Referenzgerätes (kleinerer Druckbereich ist entscheidend) erhöhen.
- Hochdruck-Absperrventil vorsichtig öffnen, vorhandene Lufteinschlüsse entweichen in den Tank
- Niederdruck-Absperrventil öffnen

Dieser Vorgang ist mehrmals zu wiederholen, um sämtliche Lufteinschlüsse zu entfernen.

Das Öffnen des Hochdruck-Absperrventils ohne vorheriges Herausdrehen der Spindelpumpe im Gegen-Uhrzeigersinn, um das System auf Vordruck zu entlasten, ist nur beim hier beschriebenen Entlüftungsvorgang zulässig.



WARNUNG!

Nach der Vordruckerzeugung muss das Hochdruck-Absperrventil immer geschlossen werden, bevor mit der Spindelpumpe der Druck erhöht wird. Ein integriertes Sicherheitsüberströmventil (eingestellt auf ca. 100 bar (1.450 psi)) schützt den Niederdruckkreislauf zusätzlich gegen Bedienerfehler ab.

Das Gerät ist nun einsatzbereit.

6.2 Betrieb

DE

**WARNUNG!**

Der zulässige Druck bei der Vergleichsprüfpumpe Typ CPP7000-X beträgt 7.000 bar (100.000 psi). Größere Drücke können die Pumpe beschädigen. Es ist darauf zu achten, dass Geräte wie bspw. Referenzmessgeräte, Prüflinge und evtl. eingesetzte Verbindungsrohre welche in Verbindung mit der Vergleichsprüfpumpe verwendet werden nicht durch unzulässig hohen Druck überlastet werden.

**GEFAHR!**

Der maximal zulässige Druck der Zubehörteile darf nicht überschritten werden. Die Zubehörteile sind entsprechend mit Angaben zum maximalen Druck gekennzeichnet.

6.2.1 Druckerhöhung

**Information**

Es empfiehlt sich, die Spindelpumpe zu Beginn der Messwertaufnahme komplett herauszudrehen (im Gegen-Uhrzeigersinn) um genügend Volumen für die Messungen bereit zu stellen. Während dieses Vorgangs ist das Niederdruck- und das Hochdruck-Absperrventil zu öffnen.

- Das System muss mit Öl gefüllt sein und anschließend vorkomprimiert werden. Hierzu müssen sich die Ventile in Grundstellung befinden:
 - Niederdruck-Absperrventil zu
 - Hochdruck-Absperrventil auf

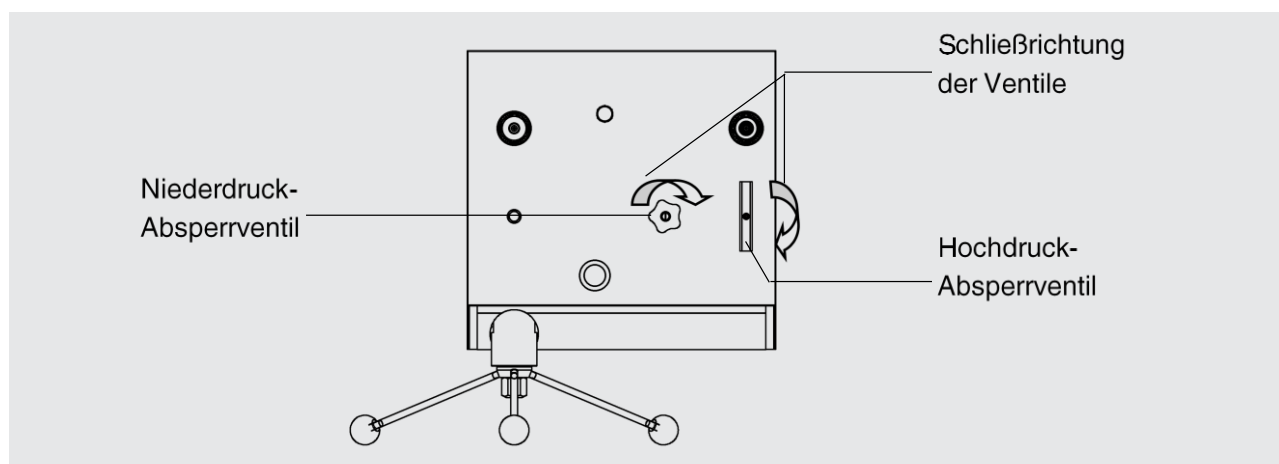


Abbildung 6.2.1-1 Schließrichtung der Ventile

- Danach mehrere Hübe mit der Vordruckpumpe ausführen – der Druck steigt auf max. ca. 50 bar (725 psi) (abhängig vom angeschlossenen Messgerätevolumen).



VORSICHT!

- ▶ Nach der Vordruckerzeugung muss überprüft werden, ob die Benutzerhandgriffe fest angezogen sind (z.B. schwarze Kunststoffgriffe der Vordruckpumpe).
- ▶ Stellen Sie jederzeit sicher (auch vor und nach der Vordruckerzeugung), dass die Verbindungen zu den Prüflingen und Referenzgeräten fest angezogen sind.
- ▶ Beachten Sie hierbei die Angaben zu den maximalen Anzugsdrehmomenten für Prüflinge, Referenzgeräte und die Anschlusssäulen auf Seite. (siehe Kapitel 6.1.2)

- Das Hochdruck-Absperrventil muss nach der Vordruckerzeugung geschlossen werden.
- Anschließend über die eingebaute Spindelpumpe im Uhrzeigersinn den Druck erhöhen bzw. die Feineinstellung vornehmen, um die einzelnen Kalibrierpunkte anzufahren.



WARNUNG!

Nach der Vordruckerzeugung muss das Hochdruck-Absperrventil immer geschlossen werden, bevor mit der Spindelpumpe der Druck erhöht wird. Ein integriertes Sicherheitsüberströmventil (eingestellt auf ca. 100 bar (1.450 psi)) schützt den Niederdruckkreislauf zusätzlich gegen Bedienerfehler ab.

- Die Anzeige des zu prüfenden Druckmessgerätes kann an den einzelnen Kalibrierpunkten mit dem Referenzmessgerät verglichen werden.



Information

Wenn im System noch geringe Luftbestandteile mitverdichtet werden, fällt der erzeugte Prüfdruck zunächst etwas ab und ist entsprechend nachzustellen.

Bei hohen Drücken ist mit einer größeren Wartezeit zu rechnen als bei kleineren Drücken, bis der Beharrungszustand erreicht ist.

6.2.2 Druckreduzierung

- Die Spindelpumpe im Gegen-Uhrzeigersinn drehen, um das System zu entlasten.
- Befindet sich der Druck in der Nähe der nächsten Prüfstufe, kann die Feineinstellung über die Spindelpumpe vorgenommen werden.
- Ist die Spindelpumpe komplett im Gegen-Uhrzeigersinn zurückgedreht, befindet sich nur noch der Vordruck im System.
- Jetzt kann das Hochdruck-Absperrventil geöffnet werden



WARNUNG!

Öffnen Sie das Hochdruck-Absperrventil immer erst dann, wenn der Druck im System auf Vordruck entlastet ist. Hierzu ist immer zuerst die Spindelpumpe im Gegen-Uhrzeigersinn komplett zurückzudrehen.

- Der Vordruck kann über vorsichtiges Öffnen des Niederdruck-Absperrventils weiter entlastet werden.
- Durch vollständiges Öffnen des Niederdruckabsperrentils entweicht der Vordruck komplett zurück in den Tank.
- Das System ist nun komplett entlastet.



WARNUNG!

Auch wenn sie das System von einem hohen Druck sofort vollständig auf Null entlasten wollen, muss zuerst die Spindelpumpe im Gegen-Uhrzeigersinn komplett zurückgedreht werden. Danach öffnen sie das Hochdruck-Absperrventil und anschließend öffnen sie das Niederdruck-Absperrventil. Der Vordruck entweicht dann vollständig in den Tank. Das System ist nun komplett entlastet.

6.3 Abbau

- Nach Aufnahme aller Druckpunkte, drucklosen Zustand des Systems sicherstellen (siehe hierzu Kapitel 6.2.2 Druckreduzierung).
- Jetzt können der Prüfling und das Referenzmessgerät vom Prüfanschluss abgenommen werden.



GEFAHR!

Demontieren sie den Prüfling oder das Referenzmessgerät erst, wenn der Druck in der Vergleichsprüfpumpe vollständig abgebaut ist.

- Die Griffstangen des Drehkreuzes können wieder von der Spindelpumpe abgeschraubt werden.

7. Störungen

Personal: Fachpersonal

Schutzausrüstung: Schutzbrille tragen

Werkzeuge: Gabelschlüssel SW 36

Nur Originalteile verwenden (siehe Kapitel 11 Zubehör)



WARNUNG!

Können Störungen mit der Hilfe der Betriebsanleitung nicht beseitigt werden, ist das Gerät unverzüglich außer Betrieb zu setzen und der Hersteller ist zu kontaktieren.


Reparaturen dürfen nur vom Hersteller durchgeführt werden. Eingriffe und Änderungen am Gerät durch den Betreiber sind unzulässig.

Bei Störungen, die auf Defekte an der hydraulischen Ausrüstung zurückzuführen sind, muss das Bedienpersonal unverzüglich die Vorgesetzten informieren und qualifiziertes sowie autorisiertes Fachpersonal für Instandhaltung hinzuziehen.

Fehler	Ursachen	Maßnahmen
Kein Druckaufbau möglich bei Vordruck-erzeugung	<ul style="list-style-type: none"> ■ Eventuell befindet sich eine Leckage im Prüfaufbau. ■ Nicht genügend Betriebsflüssigkeit im Ölbehälter. 	<ul style="list-style-type: none"> ■ Niederdruck-Absperrventil richtig verschließen <p>VORSICHT: Das Absperrventil darf nur fingerfest angezogen werden, sonst kann der Ventilsitz beschädigt werden.</p> <ul style="list-style-type: none"> ■ Überprüfen Sie, ob sich im Ölbehälter ausreichend Betriebsflüssigkeit befindet.
Kein Druckaufbau möglich / Ölaustritt an Prüfanschlüssen	Anschluss für Prüfling oder Referenzgerät	<ul style="list-style-type: none"> ■ Prüfling und Referenzgerät mit Anschlussadapter und Rändelmutter festziehen (siehe Kapitel 6.1.2) ■ Bei Verschleiß oder Beschädigung am Dichtkonus ist wie unter Kapitel 8.1.1 beschrieben vorzugehen.

11281251.02 09/2018 EN/DE

DE

Fehler	Ursachen	Maßnahmen
<p>Kein weiterer Druckaufbau möglich bei Hochdruckerzeugung mit der Spindelpumpe</p>	<p>Das Hochdruck-Absperrventil ist geöffnet.</p>	<p>Hochdruck-Absperrventil richtig verschließen</p> <p> Information: Bei geöffnetem oder nicht richtig geschlossenen Hochdruck-Absperrventil wird ab ca. 100 bar das Sicherheitsüberströmventil aktiviert und das Öl strömt in den Tank zurück. Es kann daher kein Druck > 100 bar aufgebaut werden.</p>
<p>Kein Druckaufbau möglich bzw. Messbereichsendwert nicht erreichbar</p>	<ul style="list-style-type: none"> ■ Luft befindet sich im Prüfaufbau. ■ Der angeschlossene Prüfling hat ein sehr großes Volumen. 	<ul style="list-style-type: none"> ■ Nach dem Aufspannen von Prüfling und Referenzmessgerät können sich Lufteinschlüsse im System befinden. ■ Das System sollte vor dem Beginn der Kalibrierung entlüftet werden. Hierbei ist wie unter Kapitel 6.1.3 beschrieben vorzugehen. ■ Danach Druck neu aufbauen
<p>Langsames Abfallen des Druckes</p>	<ul style="list-style-type: none"> ■ Leckage im System, siehe Fehler 2. ■ Geringe Luftbestandteile im System wurden zusammen mit dem Medium verdichtet. ■ Nach dem Aufspannen von Prüfling und Referenzmessgerät können sich Lufteinschlüsse im System befinden, siehe Fehler 4. 	<ul style="list-style-type: none"> ■ Der erzeugte Prüfdruck fällt zunächst etwas ab und ist entsprechend nachzustellen. ■ Wenn das System schnell mit Druck beaufschlagt wurde, braucht es eine gewisse Zeit (< 1 Minute), damit es sich thermisch stabilisieren kann. Der Druck ist entsprechend nachzustellen. ■ Danach Druck neu aufbauen

8. Wartung, Reinigung und Service

Personal: Fachpersonal

Schutzausrüstung: Schutzbrille tragen

Werkzeuge: Gabelschlüssel SW 36, geeignete Spritze

8.1 Wartung

Reparaturen sind ausschließlich vom Hersteller durchzuführen. Ausgenommen ist der Austausch der Betriebsflüssigkeit. (siehe Kapitel 8.2 Austausch des Hydrauliköls)

Nur Originalteile verwenden (siehe Kapitel 11 Zubehör)

8.1.1 Verschleißteile

Die Abdichtung in den Prüfanschlüssen erfolgt rein metallisch über Dichtkonus. Die einzelnen Komponenten sind aus verschleißfesten Materialien gefertigt. Sollten die Dichtflächen am Innen- bzw. Außenkonus Verschleißerscheinungen oder Beschädigungen aufweisen, sind die Komponenten auszutauschen. Bitte wenden sie sich in diesem Fall an WIKA.

8.2 Austausch des Hydrauliköls



Information

Das Hydrauliköl sollte bei sichtbarer Verunreinigung ausgetauscht werden. Der Verschmutzungsgrad des Hydrauliköls ist in regelmäßigen Abständen zu prüfen.

8.2.1 Hydrauliköl entfernen

- Verschlusschraube mit Einfüllsymbol auf Basement-Oberseite öffnen
- Öl aus Tank z.B. mit einer geeigneten Spritze absaugen
- Kleine Restölmengen können zusätzlich an den geöffneten Prüfanschlüssen abgesaugt werden. Hierzu ist die Spindelpumpe bei geöffnetem Niederdruck- und Hochdruck-Absperrventil langsam im Uhrzeigersinn einzudrehen.
- Geringe Restölmengen können im Rohrleitungssystem zurückbleiben.



Information

Unter der Verwendung von stark verschmutztem Hydrauliköl ist der sichere Betrieb der Vergleichsprüfpumpe nicht gewährleistet. Bei starker Verschmutzung des Hydrauliköls ist eine Komplettreinigung der Verrohrung und aller medienberührten Einzelkomponenten des Basements im demontierten Zustand zu empfehlen. Dieser Eingriff darf nur vom Hersteller durchgeführt werden .



VORSICHT!

Die Altölsorgung muss gemäß den gesetzlichen Bestimmungen erfolgen.

8.2.2 Hydrauliköl einfüllen

- Hochdruck-Absperrventil öffnen (siehe Abbildung 6.2.1-1 Schließrichtung der Ventile **Fehler! Verweisquelle konnte nicht gefunden werden.**)
- Niederdruck-Absperrventil öffnen (siehe Abbildung 6.2.1-1 Schließrichtung der Ventile)
- Spindelpumpe im Uhrzeigersinn bis zum vorderen Anschlag eindrehen
- Verschlusschraube mit Öleinfüllsymbol auf Basementoberseite öffnen
- Spezialöl (0,5 Liter im Lieferumfang enthalten bzw. als Zubehör erhältlich) über die Tanköffnung einfüllen bis der Füllstand das Gewinde der Tanköffnung erreicht (ca. 250 ml). Die Füllhöhe ist hierbei stets zu beobachten.
- Spindelpumpe gegen den Uhrzeigersinn bis zum hinteren Anschlag herausdrehen. Das Füllmedium wird vom Tank in das System gesaugt.
- Tanköffnung mit Verschlusschraube schließen

8.2.3 Entlüftung des Systems (nur nach Komplettbefüllung)

Nach der Erstbefüllung oder nach einem kompletten Austausch des Öls können sich Lufteinschlüsse im System befinden. Das System sollte durch folgende Vorgehensweise entlüftet werden:

- Hochdruck-Absperrventil öffnen (siehe Abbildung 6.2.1-1 Schließrichtung der Ventile)
- Niederdruck-Absperrventil öffnen (siehe Abbildung 6.2.1-1 Schließrichtung der Ventile)
- Prüfanschlüsse müssen offen sein
- Spindelpumpe gegen den Uhrzeigersinn bis zum hinteren Anschlag herausdrehen
- Mit Vordruckpumpe vorsichtig pumpen und dabei das Füllmedium in den offenen Prüfanschlüssen beobachten. Hier tritt die eingeschlossene Luft durch Blasenbildung nach außen. Die Vordruckpumpe ist so lange zu betätigen bis keine Luftblasen mehr auftauchen.
- Austretendes Öl in den offenen Prüfanschlüssen mit z.B. einer Spritze absaugen.

8.3 Reinigung

- Vor der Reinigung sicherstellen, dass sich die Vergleichsprüfpumpe Typ CPP7000-X im drucklosen Zustand befindet.
- Das Gerät mit einem feuchten Tuch reinigen.



VORSICHT!

Sachbeschädigung

Eine unsachgemäße Reinigung führt zur Beschädigung des Gerätes!

- ▶ Keine aggressiven Reinigungsmittel verwenden.
- ▶ Keine harten und spitzen Gegenstände zur Reinigung verwenden.

- Vergleichsprüfpumpe CPP7000-X säubern, um Personen und Umwelt vor Gefährdung durch anhaftende Messstoffreste zu schützen.

9. Demontage, Rücksendung und Entsorgung

Personal: Fachpersonal

Schutzausrüstung: Schutzbrille tragen

Werkzeuge: Gabelschlüssel SW 36, passende Spritze



WARNUNG!

Körperverletzungen, Sach- und Umweltschäden durch Messstoffreste

Messstoffreste an der Vergleichsprüfpumpe CPP7000-X können zur Gefährdung von Personen, Umwelt und Einrichtung führen.

- ▶ Notwendige Schutzausrüstung verwenden.
(siehe Kapitel 3.5 Persönliche Schutzausrüstung)
- ▶ Angaben im Sicherheitsdatenblatt für den entsprechenden Messstoff beachten.
- ▶ Abgebautes Gerät spülen bzw. säubern, um Personen und Umwelt vor Gefährdung durch anhaftende Messstoffreste zu schützen.

9.1 Demontage



WARNUNG!

Körperverletzung

Bei der Demontage besteht Gefahr durch aggressive Medien und hohe Drücke.

- ▶ Notwendige Schutzausrüstung verwenden.
(siehe Kapitel 3.5 Persönliche Schutzausrüstung)
- ▶ Angaben im Sicherheitsdatenblatt für den entsprechenden Messstoff beachten.
- ▶ Prüf-/und Kalibrieraufbauten im drucklosen Zustand demontieren.

9.2 Rücksendung

DE



WARNUNG!

Körperverletzungen, Sach- und Umweltschäden durch Messstoffreste

Messstoffreste am ausgebauten Gerät können zur Gefährdung von Personen, Umwelt und Einrichtung führen.

- ▶ Bei Gefahrenstoffen das Sicherheitsdatenblatt für den entsprechenden Messstoff beilegen.
- ▶ Gerät reinigen (siehe Kapitel 8.3 Reinigung)

Zur Rücksendung des Gerätes die Originalverpackung oder eine geeignete Transportverpackung verwenden.

Um Schäden zu vermeiden:

1. Das Gerät mit dem Dämmmaterial in der Verpackung platzieren. Zu allen Seiten der Transportverpackung gleichmäßig dämmen.
2. Wenn möglich einen Beutel mit Trocknungsmittel der Verpackung beifügen.
3. Sendung als Transport eines hochempfindlichen Messgerätes kennzeichnen.



Information:

Hinweise zur Rücksendung befinden sich in der Rubrik „Service“ auf unserer lokalen Internetseite.

9.3 Entsorgung

Durch falsche Entsorgung können Gefahren für die Umwelt entstehen.

Gerätekomponenten und Verpackungsmaterialien entsprechend den landesspezifischen Abfallbehandlungs- und Entsorgungsvorschriften umweltgerecht entsorgen.


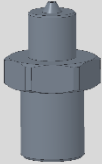

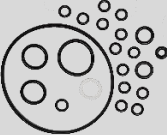
10. Technische Daten

CPP7000-X	
Druckbereich	0 ... 7.000 bar (0 ... 100.000 psi)
Druckübertragungsmedium	Sebacate Öl
Vorratsbehälter	250 cm ³
Druckanschlüsse	
Prüfanschluss	2 x Rändelmutter G 3/4 innen, freilaufend mit Dichtkonus, inkl. wechselbarem Adapter auf M16 x 1,5 außen mit
Abstand zwischen den Prüfanschlüssen	346 mm (13,6 in)
Kolben der Vergleichsprüfpumpe	
Kolbendurchmesser	7,5 mm (0,3 in)
Hubvolumen pro Umdrehung	ca. 0,08 cm ³
Hubvolumen gesamt	ca. 2,5cm ³
Material	
Zylinder	CrNi-Stahl
Kolben	gehärteter CrNi-Stahl
Verrohrung	CrNi-Stahl 1.4404, 6 x 2 mm (0,2 x 0,1 in)
Dichtungen	NBR
Zulässige Betriebstemperatur	18 ... 28 °C (64 ... 82 °F)
Gerätebasement	
Stationäre Befestigung	Standfestes Basement
Abmessungen (L x B x H)	460 x 445 x 265 mm (18,1 x 17,5 x 10,4 in)
Gewicht	32,5 kg (71,7 lbs.)

Weitere technische Daten siehe WIKA-Datenblatt CT 91.13 und Bestellunterlagen.

11. Zubehör

DE

		Bestellcode
Beschreibung		CPP-A-D
	Sebacate-Öl in Kunststoffflasche, Inhalt 0,5 Liter	-D1-
	Adapter für Anschluss säule, M16 x 1,5 außen mit Dichtkonus, Mat.: CrNi-Stahl gehärtet	-D2-
	für Anschluss säule, M20 x 1,5 außen mit Dichtkonus, Mat.: CrNi-Stahl gehärtet	-D3-
	für Anschluss säule, 9/16-18 UNF außen mit Dichtkonus, Mat.: CrNi-Stahl gehärtet	-D4-
	für Anschluss säule, G 1/2 innen mit O-Ring, max. 1.600 bar (23.200 psi), Mat.: 1.4571	-D5-
	Montageset 2 x Gabelschlüssel M36	-D6-
	Dichtungssatz	-D7-
Bestellangaben für Ihre Anfrage:		
1. Bestellcode: CPP-A-D		↓
2. Option:		[]

WIKA-Zubehör finden Sie online unter www.wika.de.



**EU-Konformitätserklärung
EU Declaration of Conformity**

Dokument Nr.: 14232780.01
Document No.:

Wir erklären in alleiniger Verantwortung, dass die mit CE gekennzeichneten Produkte
We declare under our sole responsibility that the CE marked products

Typenbezeichnung: CPP7000-X
Type Designation:

Beschreibung: Vergleichsprüfpumpe
Description: Comparison test pump

gemäß gültigem Datenblatt: CT 91.05
according to the valid data sheet:

die wesentlichen Schutzanforderungen der folgenden Richtlinien erfüllen: **Harmonisierte Normen:**
comply with the essential protection requirements of the directives: **Harmonized standards:**

2014/68/EU Druckgeräterichtlinie (DGRL) ⁽¹⁾
Pressure Equipment Directive (PED) ⁽¹⁾

(1) PS > 200 bar, Modul A, druckhaltendes Ausrüstungsteil
PS > 200 bar, Module A, pressure accessory

Unterzeichnet für und im Namen von / Signed for and on behalf of

WIKAI Alexander Wiegand SE & Co. KG

Klingenberg, 2018-01-26

Christian Splitthoff, Vice President
Calibration Technology

Harald Hartl, Manager Quality Assurance
Calibration Technology

WIKAI Alexander Wiegand SE & Co. KG
Alexander-Wiegand-Straße 30
63911 Klingenberg
Germany

Tel. +49 9372 132-0
Fax +49 9372 132-406
E-Mail info@wika.de
www.wika.de

Kommanditgesellschaft, Sitz Klingenberg –
Amtsgericht Aschaffenburg HRA 1819
Komplementärin: WIKAI Verwaltung SE & Co. KG –
Sitz Klingenberg – Amtsgericht Aschaffenburg
HRA 4685

Komplementärin:
WIKAI International SE - Sitz Klingenberg -
Amtsgericht Aschaffenburg HRB 10605
Vorstand: Alexander Wiegand
Vorsitzender des Aufsichtsrats: Dr. Max Egli

11281251.02 09/2018 EN/DE

A large rectangular frame containing a blank white space at the top and a grid of 18 columns and 20 rows below.

11281251.02 09/2018 EN/DE