

Operating instructions
Betriebsanleitung
Manuale d'uso

CalibratorUnit, CPU6000 series

EN

CalibratorUnit, Serie CPU6000

DE

CalibratorUnit, serie CPU6000

IT

EAC



CPU6000 series with iPad-App® CPB-CAL

avrorarm.ru
+7 (495) 956-62-18

WIKAL

Part of your business

EN	Operating instructions model CPU6000	Page	3 - 44
DE	Betriebsanleitung Typ CPU6000	Seite	45 - 86
IT	Manuale d'uso serie CPU6000	Pagina	87 - 127
Further languages can be found at www.wika.com.			

© 2014 WIKA Alexander Wiegand SE & Co. KG
All rights reserved. / Alle Rechte vorbehalten.
WIKA® is a registered trademark in various countries.
WIKA® ist eine geschützte Marke in verschiedenen Ländern.

Prior to starting any work, read the operating instructions!
Keep for later use!

Vor Beginn aller Arbeiten Betriebsanleitung lesen!
Zum späteren Gebrauch aufbewahren!

Prima di iniziare ad utilizzare lo strumento, leggere il manuale d'uso!
Conservare per future consultazioni!

Contents

1. General information	5
2. Safety	7
2.1 Intended use	7
2.2 Personnel qualification	8
2.3 Special hazards.	8
2.4 Safety instructions for the power supply unit	9
2.5 Labelling, safety marks	10
2.5.1 Product labels.	10
2.5.2 Explanation of symbols.	11
3. Specifications	12
3.1 Specifications of the CPU6000 series CalibratorUnit	12
3.2 Dimensions in mm / in	15
3.2.1 Weather station, model CPU6000-W	15
3.2.2 Pressure balance sensor box, model CPU6000-S	16
3.2.3 Digital multimeter, model CPU6000-M	17
3.3 Pin assignments	18
3.3.1 Weather station, model CPU6000-W	18
3.3.2 Model CPU6000-S pressure balance sensor box or model CPU6000-M digital multimeter	19
3.4 Dimensions with wall mounting in mm / in	20
3.4.1 Model CPU6000-W weather station or model CPU6000-M digital multimeter	20
3.4.2 Isometric view	20
3.4.3 Pressure balance sensor box, model CPU6000-S	21
3.4.4 Isometric view	21
4. Design and function	22
4.1 Description	22
4.2 Scope of delivery	22
4.3 Weather station, model CPU6000-W	23
4.4 Pressure balance sensor box, model CPU6000-S	24
4.5 Digital multimeter, model CPU6000-M	25
4.6 Sensor connection to model CPU6000-S pressure balance sensor box.	26
4.6.1 Piston temperature sensor, built-in version	26
4.6.2 Float position sensor, built-in version	26
4.6.3 Cable version - Standard - Piston temperature sensor	27
4.6.4 Cable version - Standard - Floating position sensor	27
4.7 Connection of pressure transmitter to model CPU6000-M digital multimeter	27

5. Transport, packaging and storage	28
5.1 Transport	28
5.2 Packaging	28
5.3 Storage	28
6. Commissioning, operation	29
6.1 Connecting the CPU6000 series	29
6.2 Setting up the models CPU6000	30
6.2.1 Setting up model CPU6000-W	30
6.2.2 Setting up model CPU6000-S	31
6.2.3 Setting up model CPU6000-M	33
6.3 Mass calculation	34
7. Remote instruction set	35
8. Maintenance, cleaning and calibration	38
8.1 Maintenance.	38
8.2 Cleaning	38
8.3 Recalibration.	38
9. Faults	39
10. Dismounting, return and disposal	40
10.1 Dismounting	40
10.2 Return	40
10.3 Disposal	41
11. Accessories	42
Appendix: EC declaration of conformity	43

Declarations of conformity can be found online at www.wika.com.

1. General information

EN

1. General information

- The model CPU6000 CalibratorUnits described in these operating instructions have been designed and manufactured using state-of-the-art technology. All components are subject to stringent quality and environmental criteria during production. Our management systems are certified to ISO 9001 and ISO 14001.
- These operating instructions contain important information on handling the instrument. Working safely requires that all safety instructions and work instructions are observed.
- Observe the relevant local accident prevention regulations and general safety regulations for the instrument's range of use.
- The operating instructions are part of the product and must be kept in the immediate vicinity of the instrument and readily accessible to skilled personnel at any time. Pass the operating instructions onto the next operator or owner of the instrument.
- Skilled personnel must have carefully read and understood the operating instructions prior to beginning any work.
- The general terms and conditions contained in the sales documentation shall apply.
- Subject to technical modifications.
- Further information:
 - Internet address: www.wika.de / www.wika.com
 - Relevant data sheet: CT 35.02
 - Application consultant: Tel.: +49 9372 132-0
Fax: +49 9372 132-5049
CTServiceteam@wika.com

1. General information

Explanation of symbols

EN



WARNING!

... indicates a potentially dangerous situation that can result in serious injury or death, if not avoided.



CAUTION!

... indicates a potentially dangerous situation that can result in light injuries or damage to equipment or the environment, if not avoided.



DANGER!

... identifies hazards caused by electrical power. Should the safety instructions not be observed, there is a risk of serious or fatal injury.



Information

... points out useful tips, recommendations and information for efficient and trouble-free operation.

Abbreviations

2-wire	The two connection lines are used for the voltage supply. The measurement signal also provides the supply current.
3-wire	Two connection lines are used for the voltage supply. One connection line is used for the measurement signal.
UB	Positive power supply terminal
S+	Positive output terminal

2. Safety



WARNING!

Before installation, commissioning and operation, ensure that the appropriate CalibratorUnit has been selected in terms of measuring range, design and specific measuring conditions.

Non-observance can result in serious injury and/or damage to the equipment.



Further important safety instructions can be found in the individual chapters of these operating instructions.

2.1 Intended use

The CPU6000 series is made up of three instruments: the model CPU6000-W weather station, the model CPU6000-S pressure balance sensor box and the model CPU6000-M digital multimeter. All of these products serve for the acquisition of measured value data, relevant for calibration certificates. The new calibration concept simplifies the generation of certificates and increases the productivity and quality of the certificate generation process.

The instrument has been designed and built solely for the intended use described here, and may only be used accordingly.

The technical specifications contained in these operating instructions must be observed. Improper handling or operation of the instrument outside of its technical specifications requires the instrument to be taken out of service immediately and inspected by an authorised WIKA service engineer.

Handle electronic precision measuring instruments with the required care (protect from humidity, impacts, strong magnetic fields, static electricity and extreme temperatures, do not insert any objects into the instrument or its openings). Plugs and sockets must be protected from contamination.

If the instrument is transported from a cold into a warm environment, the formation of condensation may result in instrument malfunction. Before putting it back into operation, wait for the instrument temperature and the room temperature to equalise.

The manufacturer shall not be liable for claims of any type based on operation contrary to the intended use.

2.2 Personnel qualification

EN



WARNING!

Risk of injury should qualification be insufficient!

Improper handling can result in considerable injury and damage to equipment.

The activities described in these operating instructions may only be carried out by skilled personnel who have the qualifications described below.

Special operating conditions require further appropriate knowledge, e.g. of aggressive media.

Skilled electrical personnel

Skilled electrical personnel are understood to be personnel who, based on their technical training, know-how and experience as well as their knowledge of country-specific regulations, current standards and directives, are capable of carrying out work on electrical systems and independently recognising and avoiding potential hazards.

The skilled electrical personnel have been specifically trained for the work environment they are working in and know the relevant standards and regulations.

The skilled electrical personnel must comply with current legal accident prevention regulations.

2.3 Special hazards



WARNING!

For hazardous media such as oxygen, acetylene, flammable or toxic gases or liquids, and refrigeration plants, compressors, etc., in addition to all standard regulations, the appropriate existing codes or regulations must also be followed.

Residual media on the test item and/or sensors of the CalibratorUnit can result in a risk to personnel, the environment and equipment. Take sufficient precautionary measures.

2.4 Safety instructions for the power supply unit



DANGER!

Danger of death caused by electric current

Upon contact with live parts, there is a direct danger of death.

- Operation using a defective power supply unit (e.g. short-circuit from the mains voltage to the output voltage) can result in life-threatening voltages at the instrument!
- If there is any visible damage to the case or the wiring, do not use the power supply unit!
- Never install nor store the power supply unit in the following locations, as this can lead to a failure in operation:
 - places where there is strong humidity or condensation
 - places which have specific environmental influences
 - places which are subject to constant vibration
 - places which are subject to strong fluctuations in temperature
 - outdoors
- During thunderstorms or when it won't be used for long periods, disconnect the power supply unit from the mains supply.
- Do not pull on the cable in order to disconnect the power supply unit from the mains supply.
- The power supply unit is maintenance-free. It must not be opened (risk of electrical shock).
- No modification of the power supply unit is permitted (voids the warranty).
- The power supply unit may only be repaired by authorised skilled personnel.
- Before cleaning, disconnect the power supply unit from the mains supply. Do not clean with chemical cleaning fluids. Only clean with a dry cloth.
- Dispose of the power supply unit correctly (Waste Electrical and Electronic Equipment in accordance with local regulations).

The power supply unit should only be operated in an ambient temperature of 0 ... 40 °C (32 ... 104 °F) (humidity: to 90 % relative humidity, non-condensing).

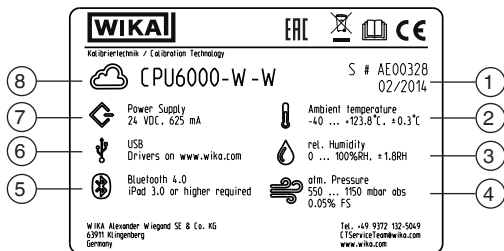
2. Safety

2.5 Labelling, safety marks

2.5.1 Product labels

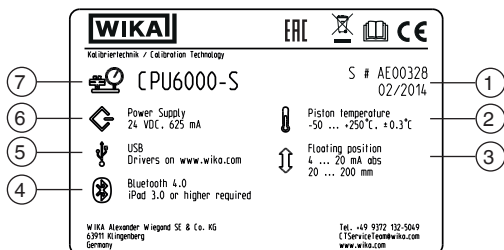
EN

Weather station, model CPU6000-W



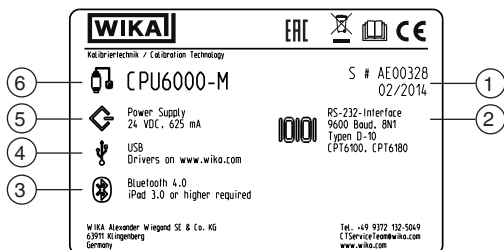
- ① Serial no. and date of manufacture
- ② Ambient temperature
- ③ Relative humidity
- ④ Atmospheric pressure
- ⑤ WIKAL-Wireless antenna
- ⑥ Interface connector
- ⑦ Power supply
- ⑧ Model

Pressure balance sensor box, model CPU6000-S



- ① Serial no. and date of manufacture
- ② Piston temperature
- ③ Floating position of the masses
- ④ WIKAL-Wireless antenna
- ⑤ Interface connector
- ⑥ Power supply
- ⑦ Model

Digital multimeter, model CPU6000-M



- ① Serial no. and date of manufacture
- ② Interface
- ③ WIKAL-Wireless antenna
- ④ Interface connector
- ⑤ Power supply
- ⑥ Model

2. Safety

2.5.2 Explanation of symbols



Before mounting and commissioning the instrument, ensure you read the operating instructions!



CE, Communauté Européenne

Instruments bearing this mark comply with the relevant European directives.



This marking on the instruments indicates that they must not be disposed of in domestic waste. The disposal is carried out by return to the manufacturer or by the corresponding municipal authorities (see EU directive 2012/19/EU).



EN

3. Specifications




3. Specifications

3.1 Specifications of the CPU6000 series CalibratorUnit

EN



Weather station, model CPU6000-W



Symbol	Description	Measuring range	Accuracy
	Ambient temperature	-40 ... +123.8 °C (-40 ... +254.84 °F)	±0.5 °C (0.9 °F) ¹⁾
	Relative humidity	0 ... 100 % r. h.	±5.0 % r. h. ²⁾
	Atmospheric pressure	550 ... 1,150 mbar abs. (7.85 ... 16.68 psi abs.) (opt. 551 ... 1,172 mbar abs.) (8 ... 17 psi abs.)	0.05 % FS (opt. 0.01 % of reading)

1) The calibration is performed for the points 18 °C (64.4 °F), 23 °C (73.4 °F) and 25 °C (77 °F) following a warm-up time of 120 minutes.

2) The calibration is performed for the points 30 % r. h., 50 % r. h. and 80 % r. h. following a warm-up time of 120 minutes.



Pressure balance sensor box, model CPU6000-S

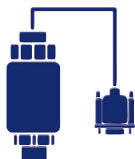
Symbol	Description	Measuring range	Accuracy
	Piston temperature	-50 ... +250 °C (-58 ... +482 °F)	±0.1 °C at 20 °C (±0.18 °F at 68 °F) ¹⁾
	Floating position of the masses	4 ... 20 mA 20 ... 200 mm (0.79 ... 7.87 in)	±0.5 mm (±0.02 in)

1) The calibration is performed for the points 18 °C (64.4 °F), 23 °C (73.4 °F) and 25 °C (77 °F) following a warm-up time of 120 minutes.

3. Specifications



It is recommended to install the sensor box for pressure balances of the CPB5000, CPB5000HP and CPB5800 series.



Digital multimeter, model CPU6000-M		
Symbol	Description	
+ mA -	Current input	Measuring range 0 ... 20 mA Accuracy $\pm 5 \mu\text{A}$
+ V -	Voltage input	Measuring range 0 ... 10 V Accuracy $\pm 1 \text{ mV}$
+ Out -	Voltage supply	DC 24 V (load: max. 50 mA; min. 20 mA)
10101	Interface	Model D-10 Models CPT6100 and CPT6180 RS-232 interface, 9600 Baud, 8N1



Base instrument	Model CPU6000-W	Model CPU6000-S	Model CPU6000-M
Voltage supply			
Power supply	DC 24 V, 625 mA		
Permissible ambient conditions			
Operating temperature	15 ... 45 °C (59 ... 113 °F)		
Storage temperature	0 ... 70 °C (32 ... 158 °F)		
Communication			
Interface	USB with PC, WIKA-Wireless 4.0 with iPad® 3.0 or higher		
WIKA-Wireless			
Frequency range	2.402 ... 2.480 GHz		
HF output power	max. 2 dBm (+ 2 dBi)		

14097659.04 03/2016 EN/DE/IT

3. Specifications

Base instrument	Model CPU6000-W	Model CPU6000-S	Model CPU6000-M
Case			
Dimensions (W x H x D)	190.4 x 58 x 110 mm (7.50 x 2.28 x 4.33 in)	190.4 x 58 x 80 mm (7.50 x 2.28 x 3.15 in)	190.4 x 58 x 110 mm (7.50 x 2.28 x 4.33 in)
Weight	1.44 kg (3.18 lbs)	1.18 kg (2.60 lbs)	1.29 kg (2.84 lbs)

Approvals

Logo	Description	Country
	EC declaration of conformity <ul style="list-style-type: none"> ■ EMC directive 2004/108/EC 2004/108/EC, EN 61326-1 Emission (group 1, class B) and interference immunity ("basic environment": Commercial, laboratories, service centres or workshops) ■ R&TTE directive 1999/5/EC EN 300 228, harmonised frequency range 2,400 ... 2,500 MHz is used The instrument may be used without limitations in the EU and also CH, NO and LI. 	European Community
	EAC <ul style="list-style-type: none"> ■ Electromagnetic compatibility ■ Low voltage directive 	Eurasian Economic Community

Certificates

Certificate	
Calibration	Standard: 3.1 calibration certificate per DIN EN 10204 Option: DKD/DAkkS calibration certificate
Recommended recalibration interval	1 year (dependent on conditions of use)

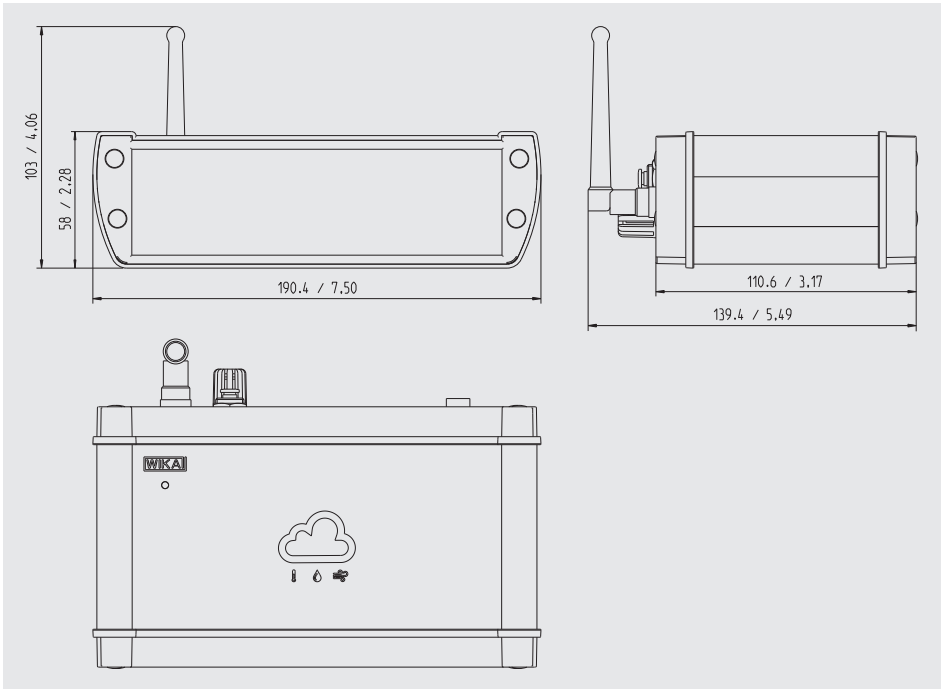
Approvals and certificates, see website

For further specifications see WIKA data sheet CT 35.02 and the order documentation.

3. Specifications

3.2 Dimensions in mm / in

3.2.1 Weather station, model CPU6000-W

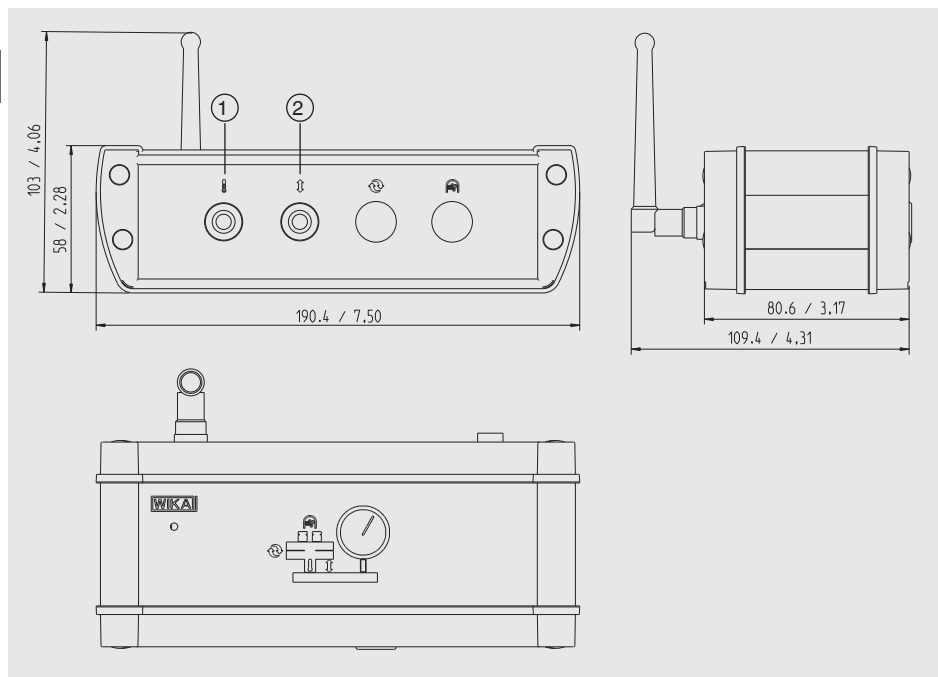


EN

3. Specifications

3.2.2 Pressure balance sensor box, model CPU6000-S

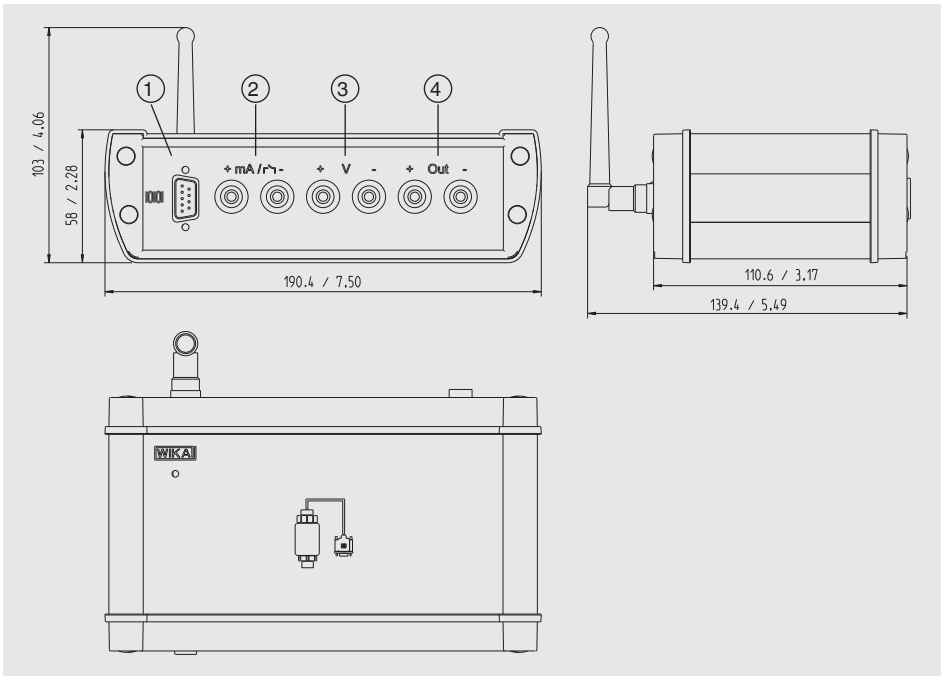
EN



- ① Piston temperature sensor connector
- ② Floating position sensor connector

3. Specifications

3.2.3 Digital multimeter, model CPU6000-M



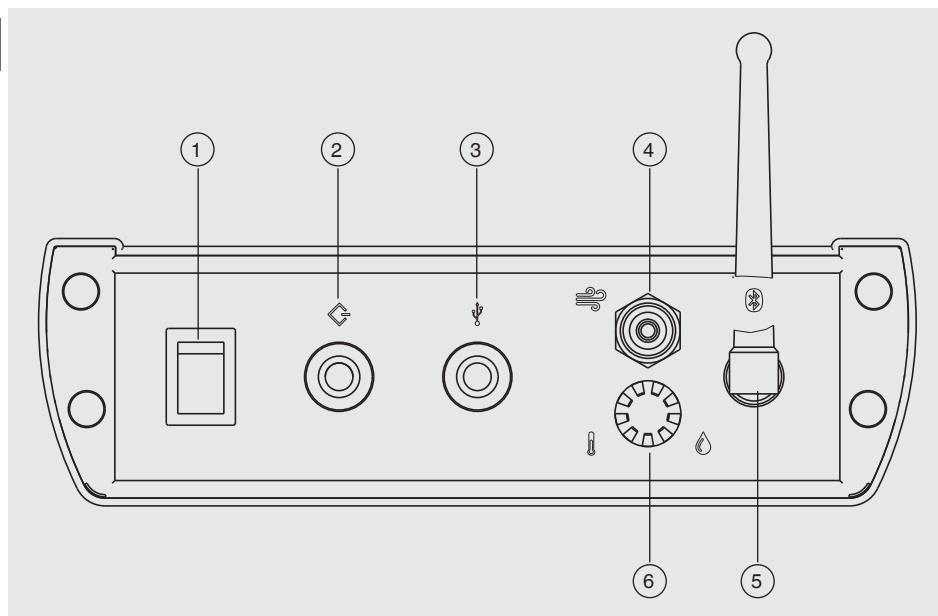
- ① RS-232 interface
- ② Current input
- ③ Voltage input
- ④ Voltage supply for test item

3. Specifications

3.3 Pin assignments

3.3.1 Weather station, model CPU6000-W

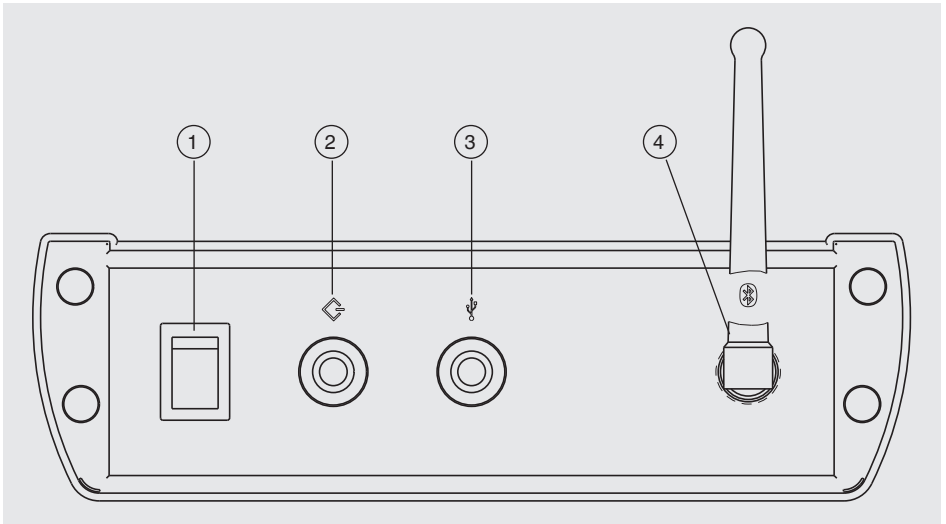
EN



- ① On/Off switch
- ② Power connection DC 24 V
- ③ USB interface
- ④ 4 mm hose connection for internal barometric reference
- ⑤ WIKA-Wireless 4.0 antenna
- ⑥ Humidity-temperature sensor

3. Specifications

3.3.2 Model CPU6000-S pressure balance sensor box or model CPU6000-M digital multimeter



EN

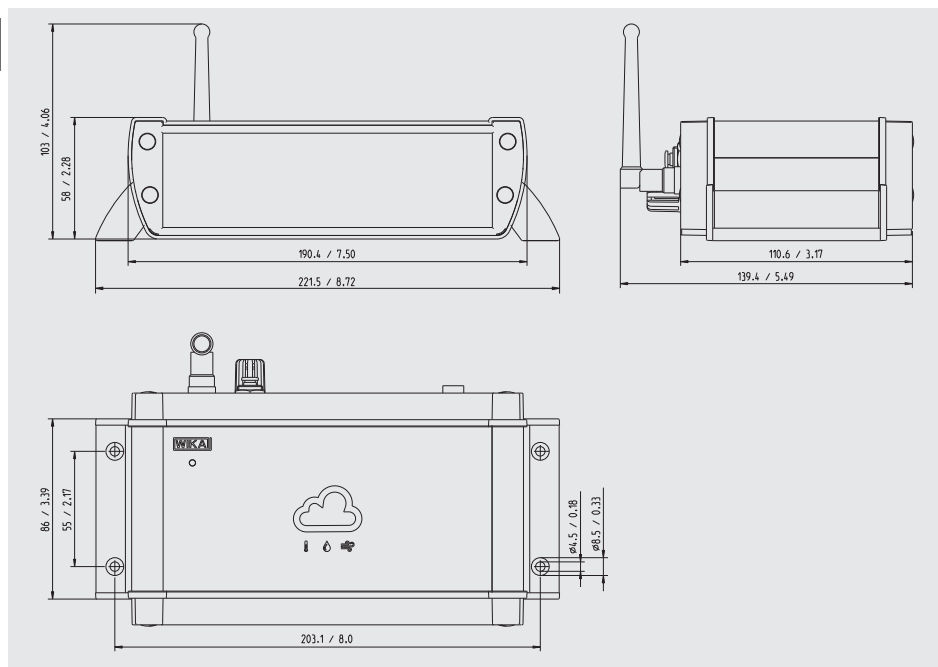
- ① On/Off switch
- ② Power connection DC 24 V
- ③ USB interface
- ④ WIKA-Wireless 4.0 antenna

3. Specifications

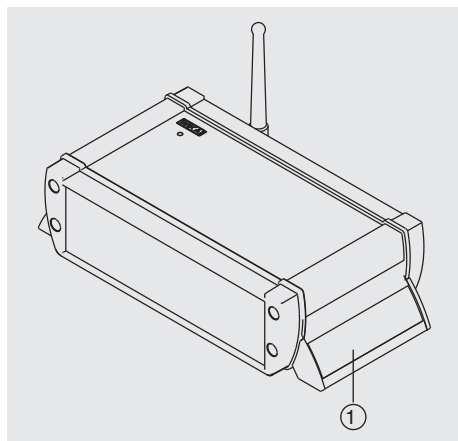
3.4 Dimensions with wall mounting in mm / in

3.4.1 Model CPU6000-W weather station or model CPU6000-M digital multimeter

EN



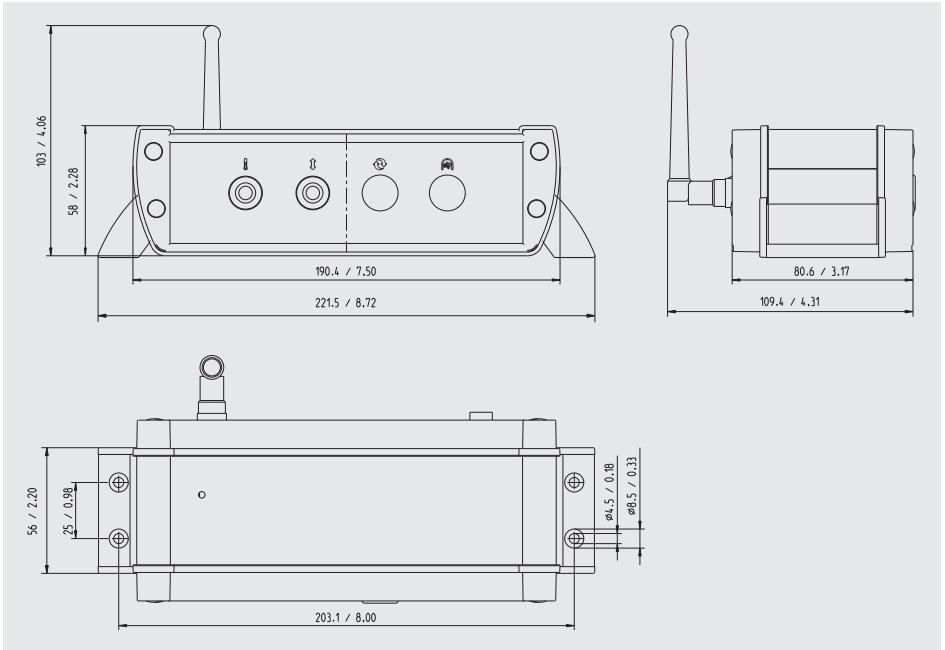
3.4.2 Isometric view



- ① Screw hole closed with decorative strips

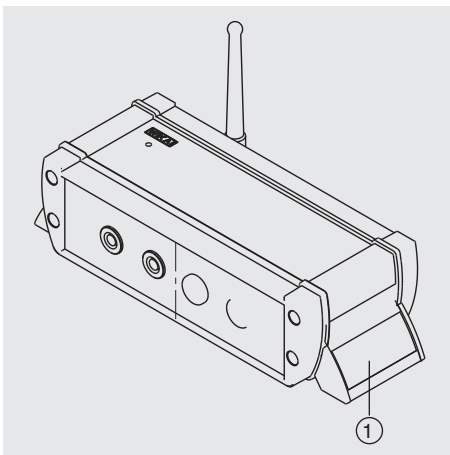
3. Specifications

3.4.3 Pressure balance sensor box, model CPU6000-S



EN

3.4.4 Isometric view



- ① Screw hole closed with decorative strips

4. Design and function

4. Design and function

4.1 Description

EN The CPU6000 series is made up of three instruments:

- Weather station, model CPU6000-W
- Pressure balance sensor box, model CPU6000-S
- Digital multimeter, model CPU6000-M

All products are used for measured value recording of data relevant for calibration certificates.

This calibration concept simplifies the generation of certificates and increases the productivity and quality of the certificate generation process.

In combination with any pressure balance, the CPB-CAL (iPad® app) and/or WIKA-CAL (PC software) can determine the necessary mass loads or the reference pressure. Through simple operation and setting, the calculation of the mass loads or the pressure is made easier. The CalibratorUnit takes into account all critical influencing factors and thus increases the accuracy of the measurement.

A calibration of relative pressure measuring instruments with absolute pressure references, and vice versa, is also possible. Via the integrated voltage supply and multimeter function, easy calibrations of pressure transmitters can be carried out.

The weather station and the digital multimeter can also be used, independently of the pressure balance calibration, with other calibration instruments and the WIKA-CAL software. Existing automatic calibration systems can thus be enhanced. Via the integrated voltage supply and multimeter function, easy calibrations of pressure transmitters can be carried out.

4.2 Scope of delivery

- Model CPU6000-W, model CPU6000-S or model CPU6000-M
- AC adapter, DC 24 V, 625 mA
- Factory calibration certificate
- Operating instructions in German and English language

Cross-check scope of delivery with delivery note.

4. Design and function

4.3 Weather station, model CPU6000-W

The CPU6000-W provides measured values such as atmospheric air pressure, relative humidity and the ambient temperature of the laboratory environment. The WIKA-CAL software automatically documents, in the respective test report, the measured values and saves these to a database. Furthermore, with this software or the CPB-CAL iPad® application, the measured values are used in conjunction with pressure balances for the calculation of the mass loads.

EN



Measuring assembly: model CPB5800 pressure balance, model CPU6000-W weather station, model CPU6000-S pressure balance sensor box and PC/laptop

4. Design and function

4.4 Pressure balance sensor box, model CPU6000-S

The CPU6000-S measures the piston temperature and displays the floating position of the masses. The sensor is fitted directly to the pressure balance and serves to achieve the highest accuracy with a single pressure balance.

EN



Measuring assembly: model CPB5800 pressure balance, model CPU6000-W weather station, model CPU6000-S pressure balance sensor box and PC/laptop

4. Design and function

4.5 Digital multimeter, model CPU6000-M

The CPU6000-M fulfills the function of a digital multimeter and power supply unit when electronic pressure transmitters must be calibrated. The CPU6000-M supplies test items with DC 24 V and measures voltage and current signals. In addition, digital pressure sensors such as the model CPT61X0 and model D-10 can be connected directly over the RS-232 interface.

EN

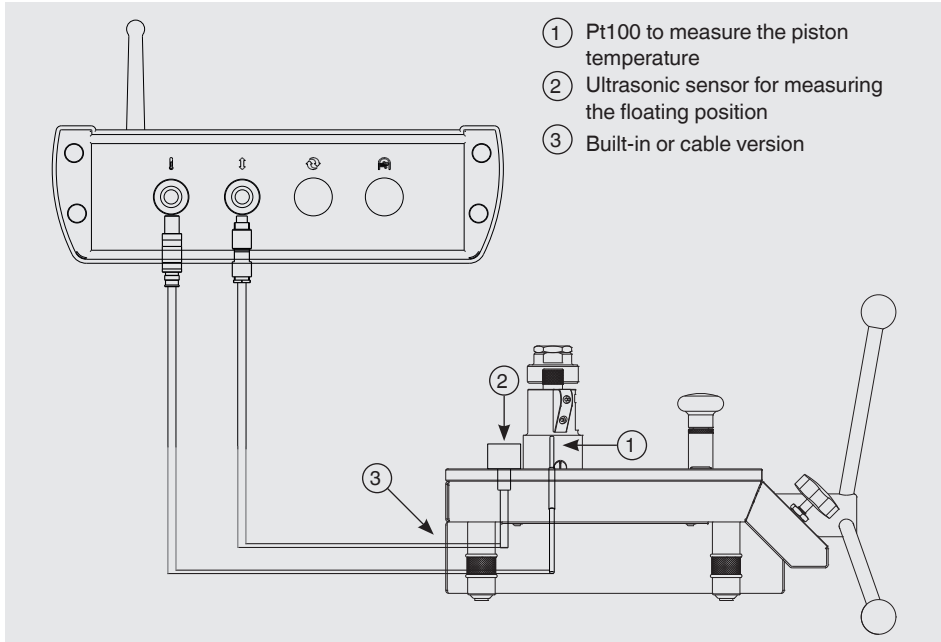


Measuring assembly: model CPC3000 high-speed pneumatic pressure controller, model CPU6000-M digital multimeter and PC/laptop

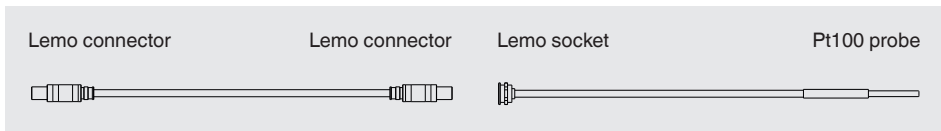
4. Design and function

4.6 Sensor connection to model CPU6000-S pressure balance sensor box

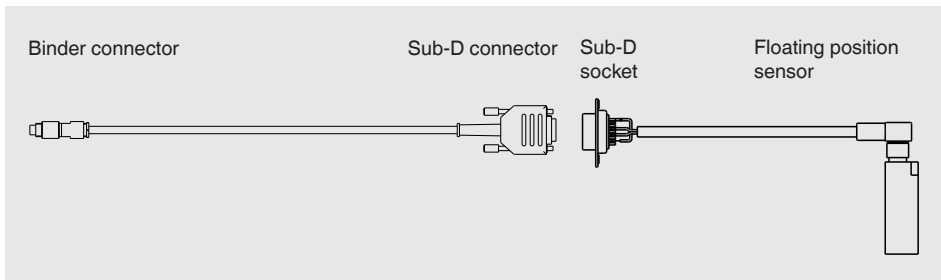
EN



4.6.1 Piston temperature sensor, built-in version



4.6.2 Float position sensor, built-in version



4. Design and function

4.6.3 Cable version - Standard - Piston temperature sensor

Lemo connector

Pt100 probe

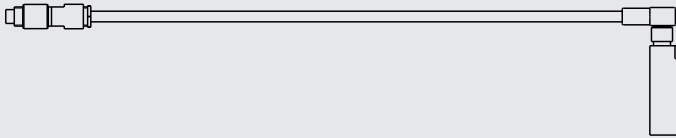


EN

4.6.4 Cable version - Standard - Floating position sensor

Binder connector

Floating position sensor

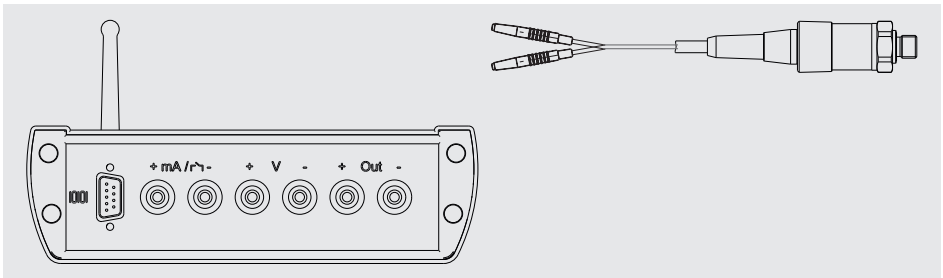


4.7 Connection of pressure transmitter to model CPU6000-M digital multimeter

Test item	Own power supply	mA max. 24 mA		V max. DC 12 V		DC 24 V Output	
		+	-	+	-	+	-
2-wire (mA)	no	sig-				sig+	
2-wire (mA)	yes	sig+	sig-				
3-wire (mA)	no	sig+				UB+	UB-
3-wire (V)	no			sig+		UB+	UB-

No external electrical bridge is required!

The pin assignment for the different pressure transmitters is indicated on the underside of the CPU6000-M.



5. Transport, packaging and storage

5. Transport, packaging and storage

5.1 Transport

EN

Check the model CPU6000 CalibratorUnit for any damage that may have been caused by transport. Obvious damage must be reported immediately.

5.2 Packaging

Do not remove packaging until just before mounting.

Keep the packaging, as it will provide optimum protection during transport (e.g. change in installation site, sending for repair, etc.).

5.3 Storage

Permissible conditions at the place of storage:

For the CPU6000 series and power supply unit

- Storage temperature: 0 ... 70 °C (32 ... 104 °F)
- Humidity: 35 ... 85 % relative humidity (no condensation)

Avoid exposure to the following factors:

- Direct sunlight or proximity to hot objects
- Mechanical vibration, mechanical shock (putting it down hard)
- Soot, vapour, dust and corrosive gases
- Potentially explosive environments, flammable atmospheres
- Corrosive liquids

Store the model CPU6000 CalibratorUnit in its original packaging in a location that fulfils the conditions listed above. If the original packaging is not available, pack and store the instrument as described below:

1. Wrap the instrument in an antistatic plastic film.
2. Place the instrument, along with shock-absorbent material, in the packaging.
3. If stored for a prolonged period of time (more than 30 days), place a bag containing a desiccant inside the packaging.



WARNING!

Before storing the instrument and its sensors (following operation), remove any residual media. This is of particular importance if the medium is hazardous to health, e.g. caustic, toxic, carcinogenic, radioactive, etc.

6. Commissioning, operation

6. Commissioning, operation

EN

6.1 Connecting the CPU6000 series



WARNING!

- Only assemble and connect the instruments when they are switched off!
- Only use the AC adapter from WIKA supplied with the instrument!
- Never connect any electrical cables longer than 3 metres!

Before commissioning, connect all instruments that are to be measured. An erroneous connection of individual components is prevented due to the different male/female connector combinations.



When connecting an electronic pressure transmitter, pay attention to the correct polarity.

The correct pin assignments are shown in the technical drawings (see chapter 3 “Specifications”).

If a wall mount is integrated into the instrument, the CPU6000 can be mounted on a wall or under a table, for example. The position is irrelevant for both the measurements and the communication with PC/laptop or iPad®.

6. Commissioning, operation

6.2 Setting up the models CPU6000

6.2.1 Setting up model CPU6000-W

1. Connect the CPU6000-W to the PC/laptop using the supplied USB cable.
2. Directly download the driver from the local website and install.

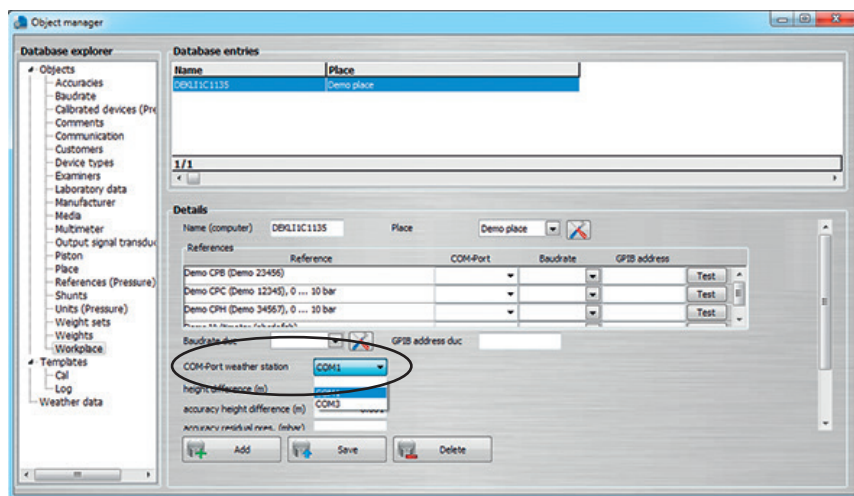
http://en-co.wika.de/cpu6000_w_cpu6000_s_cpu6000_m_en_co.WIKA

→ Software → Interface driver

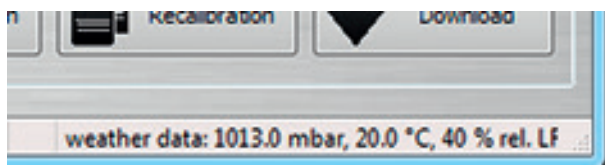


The driver has been correctly installed when, in Windows Device Manager, by switching the CPU on or off, a COM port appears under **“Connections”**.

3. In WIKA-CAL, within **“Object manager”** under **“Workplace”**, select the new COM port under **“COM port weather station”** and save the data record.



The software polls a new value from the CPU6000-W every 10 seconds and every 30 seconds, it stores the current value under **“Weather data”** in **“Object manager”**. In addition, the ambient conditions are updated in the document view and in the bottom right in the status bar.



6. Commissioning, operation

6.2.2 Setting up model CPU6000-S

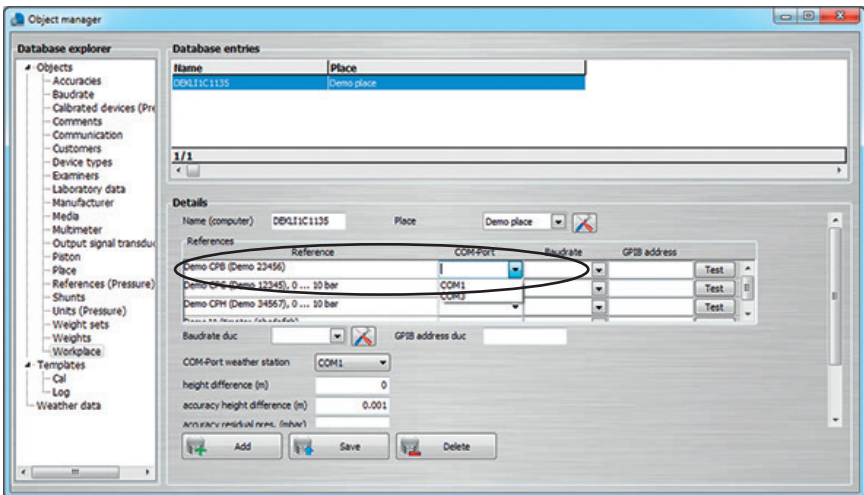
1. Connect the CPU6000-S to the PC/laptop using the supplied USB cable.
2. Directly download the driver from the local website and install.
http://en-co.wika.de/cpu6000_w_cpu6000_s_cpu6000_m_en_co.WIKA
→ Software → Interface driver

EN



The driver has been correctly installed when, in Windows Device Manager, by switching the CPU on or off, a COM port appears under “**Connections**”.

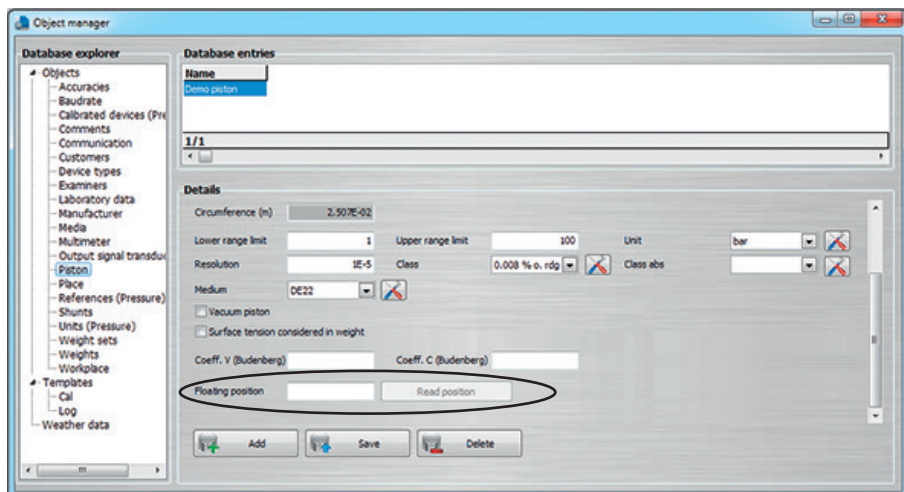
3. In WIKA-CAL, within “**Object manager**” under “**Workplace**”, select the new COM port under “**COM port**” of the defined pressure balance and save the data record. The pressure balance must first be generated and assigned to the work station (see instruction manual WIKA-CAL, chapter 6.3.18 „References (Pressure)“).
4. Set baud rate 9600 and, via the [**Test**] button, check the communication. The communication is working properly if a realistic value is displayed.



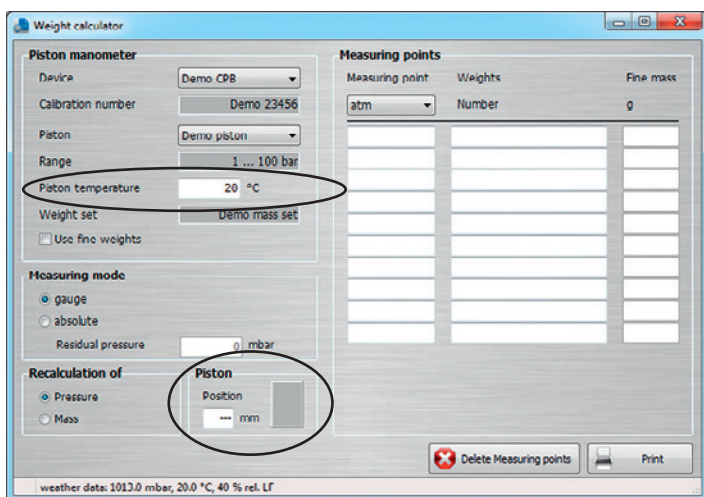
5. In “**Object manager**”, under “**Piston**”, the “**Floating position**” for the respective piston of the pressure balance must be specified. This can be entered manually in [mm] or read via the [**Read position**] button. The data record must then be saved with [**Save**] in order to accept the settings.

6. Commissioning, operation

EN



6. In the mass calculation tool, following a successful connection, the piston temperature and the floating position can be read. The calculation of the masses automatically adjusts to the new piston temperature.



1-4097659.04 03/2016 EN/DE/IT

6. Commissioning, operation

6.2.3 Setting up model CPU6000-M

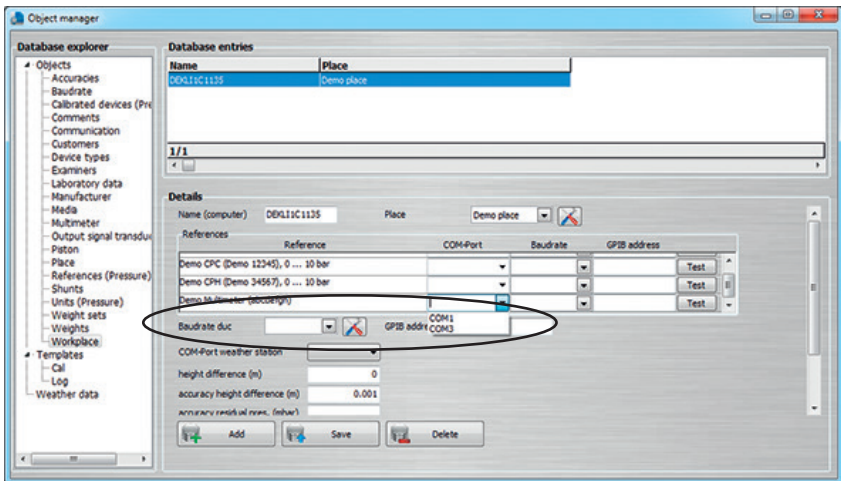
1. Connect the CPU6000-M to the PC/laptop using the supplied USB cable.
2. Directly download the driver from the local website and install.
http://en-co.wika.de/cpu6000_w_cpu6000_s_cpu6000_m_en_co.WIKA
→ Software → Interface driver

EN



The driver has been correctly installed when, in Windows Device Manager, by switching the CPU on or off, a COM port appears under “**Connections**”.

3. In WIKA-CAL, within “**Object manager**” under “**Workplace**”, select the new COM port under the “**COM port**” of the defined CPU6000-M (multimeter) and save the data record. The multimeter must first be generated and the work station assigned (see instruction manual WIKA-CAL, chapter 6.3.17 “Multimeter”).
4. Set baud rate 9600 and, via the [**Test**] button, check the communication. The communication is working properly if a realistic value is displayed.



6. Commissioning, operation

6.3 Mass calculation

Mass calculation tool

EN

The tool is used to convert masses into pressure, and vice versa, for pressure balances. First, an instrument (pressure balance) and the associated piston must be chosen. The mass set is chosen accordingly. The pressure balance data must previously have been registered in the object manager or imported via an XML file (see WIKA-CAL instruction manual Chapter 6.3.18 “Standards (Pressure)” and 3.2.1.1 “Import, backup database, restore database, exit”).

If a pressure value is entered in the left-hand column and Enter is pressed, the cells above are populated with uniformly distributed values. For example, fill the lower left-hand cell with the full-scale value -> uniformly distributed values to the start of the measuring range will be completed in the cells above.

It is also possible to calculate trim masses in order to calculate the masses for a pressure value, or vice versa. It is also possible to enter the mass numbers.

For the correction of the measured values, the measured ambient conditions and the piston temperature are used. The piston position is used to display the floating position. In addition, for absolute pressure instruments, the vacuum residual pressure must also be specified. Through CPU6000 series instruments, this can be read automatically.

Measuring point	Weights	Fine mass
atm	Number	g

14097659.04 03/2016 EN/DE/IT

7. Remote instruction set

7. Remote instruction set

This remote instruction set applies for all instruments in the CPU6000 series. The CPU6000 remote-control commands are given in the list below. All commands must be terminated with a <CR> (Carriage Return) and a subsequent <LF> (Linefeed).

For a query command (ending with a ?), the “Data” column displays the response from the CPU6000. All response sequences are terminated with a <CR> and a <LF>.

For all commands without a question mark, the “Data” column displays the required parameters that must be sent to the CPU6000 after the string in the command column.

Command	Response	Description
CPU6000		
General queries		
ID?	WIKA,CPU6000-X-HH. SS,AAA	ID string, WIKA, CPU6000 X = Model of the box HH = Hardware version SS = Software version AAA = Serial no.
MC?	CPU6000-W, CPU6000-M or CPU6000-S	Model code of the respective CPU6000
SN?	1100GRYZ	Serial number of the instrument
CPU6000-W		
Readings		
HU?	+1.2345E+01	Relative humidity in [% rel.]
TE?	+1.2345E+01	Temperature in °C
Adjustment coefficients		
KA	+1.2345E+01	Ambient temperature coefficient 0 (Coeff[0])
KB	+1.2345E+01	Ambient temperature coefficient 1 (Coeff[1])
KC	+1.2345E+01	Ambient temperature coefficient 2 (Coeff[2])
KD	+1.2345E+01	Ambient temperature coefficient 3 (Coeff[3])
KE	+1.2345E+01	Ambient temperature coefficient 4 (Coeff[4])
KF	+1.2345E+01	Ambient humidity coefficient 0 (Coeff[5])
KG	+1.2345E+01	Ambient humidity coefficient 1 (Coeff[6])
KH	+1.2345E+01	Ambient humidity coefficient 2 (Coeff[7])
KI	+1.2345E+01	Ambient humidity coefficient 3 (Coeff[8])

7. Remote instruction set

EN

Command	Response	Description
KJ	+1.2345E+01	Ambient humidity coefficient 4 (Coeff[9])
KK	+1.2345E+01	Ambient pressure coefficient 0 (Coeff[10])
KL	+1.2345E+01	Ambient pressure coefficient 1 (Coeff[11])
KM	+1.2345E+01	Ambient pressure coefficient 2 (Coeff[12])
KN	+1.2345E+01	Ambient pressure coefficient 3 (Coeff[13])
KO	+1.2345E+01	Ambient pressure coefficient 4 (Coeff[14])
Readings, CPU6000-W-W		
PD?	+1.2345E+01	Pressure in [bar] abs. from the barometric sensor with accuracy of 0.05 % of full scale value
AD?	+1.2345E+01	Start of measuring range in [bar] abs. from the barometric sensor with accuracy of 0.05 % of full scale value
ED?	+1.2345E+01	End of measuring range in [bar] abs. from the barometric sensor with accuracy of 0.05 % of full scale value
TD?	+1.2345E+01	Temperature from the barometric sensor with accuracy of 0.05 % of full scale value
Readings, CPU6000-W-M		
PM?	+1.2345E+01	Pressure in [bar] abs. from the barometric sensor with accuracy of 0.01 % of reading
AM?	+1.2345E+01	Start of measuring range in [bar] abs. from the barometric sensor with accuracy of 0.01 % of reading
EM?	+1.2345E+01	End of measuring range in [bar] abs. from the barometric sensor with accuracy of 0.01 % of reading
CPU6000-S		
Readings		
FP?	+1.2345E+01	Floating position of the externally connected floating position sensor in [mm]
PT?	+1.2345E+01	Piston temperature from the externally connected Pt100 in [°C]

14097659.04 03/2016 EN/DE/IT

7. Remote instruction set

EN

Command	Response	Description
Adjustment coefficients		
KP	+1.2345E+01	Piston temperature coefficient 0 (Coeff[15])
KQ	+1.2345E+01	Piston temperature coefficient 1 (Coeff[16])
KR	+1.2345E+01	Piston temperature coefficient 2 (Coeff[17])
KS	+1.2345E+01	Piston temperature coefficient 3 (Coeff[18])
KT	+1.2345E+01	Piston temperature coefficient 4 (Coeff[19])
KU	+1.2345E+01	Piston displacement coefficient 0 (Coeff[20])
KV	+1.2345E+01	Piston displacement coefficient 1 (Coeff[21])
KW	+1.2345E+01	Piston displacement coefficient 2 (Coeff[22])
KX	+1.2345E+01	Piston displacement coefficient 3 (Coeff[23])
KY	+1.2345E+01	Piston displacement coefficient 4 (Coeff[24])
Adjustment floating position sensor		
CK	+1.2345E+01	Start of measuring range of the floating position sensor in [mm] (standard value 20 mm), corresponds with the electrical initial value of the sensor of 4 [mA]
CL	+1.2345E+01	End of measuring range of the floating position sensor in [mm] (standard value 200 mm), corresponds with the electrical final value of the sensor of 20 [mA]
CPU6000-M		
Readings		
IR?	+1.2345E+01	Input current, raw value in [mA]
IK?	+1.2345E+01	Input current, calibrated value in [mA]
UR?	+1.2345E+01	Input voltage, raw value in [V]
UK?	+1.2345E+01	Input voltage, calibrated value in [V]
MV?	+1.2345E+01	Hardware version, electrical measuring board
Adjustment coefficients		
MM	x (x = 1: voltage; x = 2: current)	Voltage or current input of the electrical board
MO	x (x = 0: OFF; x = 1: ON)	24 Volt output of the electrical board
CA	+1.2345E+01	Multimeter voltage coefficient 0 (Coeff[0])
CB	+1.2345E+01	Multimeter voltage coefficient 1 (Coeff[1])

7. Remote ... / 8. Maintenance, cleaning and calibration

Command	Response	Description
CC	+1.2345E+01	Multimeter voltage coefficient 2 (Coeff[2])
CD	+1.2345E+01	Multimeter voltage coefficient 3 (Coeff[3])
CE	+1.2345E+01	Multimeter voltage coefficient 4 (Coeff[4])
CF	+1.2345E+01	Multimeter current coefficient 0 (Coeff[5])
CG	+1.2345E+01	Multimeter current coefficient 1 (Coeff[6])
CH	+1.2345E+01	Multimeter current coefficient 2 (Coeff[7])
CI	+1.2345E+01	Multimeter current coefficient 3 (Coeff[8])
CJ	+1.2345E+01	Multimeter current coefficient 4 (Coeff[9])

8. Maintenance, cleaning and calibration

8.1 Maintenance

The model CPU6000 CalibratorUnit is maintenance-free.
Repairs must only be carried out by the manufacturer.

8.2 Cleaning



CAUTION!

- Before cleaning, correctly disconnect the CalibratorUnit from the pressure supply, switch it off and disconnect it from the mains.
- Clean the instrument with a moist cloth.
- Electrical connections must not come into contact with moisture.
- Residual media on the test item and/or sensors of the CalibratorUnit can result in a risk to personnel, the environment and equipment.
Take sufficient precautionary measures.



For information on returning the instrument see chapter 10.2 "Return".

8.3 Recalibration

DKD/DAkkS certificate - official certificates:

We recommend that the instrument is regularly recalibrated by the manufacturer, with time intervals of approx. 12 months. The basic settings will be corrected if necessary.

9. Faults

EN

9. Faults

Faults	Causes	Measures
Undefinable characters, instrument is not responding to key press	System error	Switch off the instrument, wait for a short period of time, switch on again
	Instrument faulty	Send in for repair
Malfunctions during operation.	System error	Switch off the system and switch on again after 5 seconds.
Error in reading the measured values.	No sensor connected	Switch instrument off and connect sensor
	Connected sensor or device faulty	If second sensor available, check if instrument is ok. Return defective instrument/sensor to manufacturer for repair.
	Reading is significantly above or below the measuring range	Check: is the pressure within the permissible measuring range of the sensor?
- - -	Sensor not present / recognised	Plug in inserted sensor once more, with running recording, stop the logger and re-start it
	Display value cannot be calculated	Plug in appropriate sensor combination
	Break in the internal reference sensor or the internal reference sensor is defective.	Send the instrument back to the manufacturer or service partner for repair.
Measured values are fluctuating heavily	Malfunctions during operation	Switch off the instrument and switch on again after 5 seconds.
The test item (read via mA or V measuring input) is not responding.	Test item is not properly connected	Check the cabling
	Test item is without its own power supply.	Activate the 24 V test item power supply
The test item (read via mA or V measuring input) displays a false value.	Wrong measuring range entered for the test item.	Enter correct measuring range of the test item.

9. Faults / 10. Dismounting, return and disposal



CAUTION!

If faults cannot be eliminated by means of the measures listed above, shut down the CalibratorUnit immediately, ensure that pressure is no longer present, and secure the instrument from being put back into operation inadvertently.

In this case, contact the manufacturer.

If a return is needed, follow the instructions given in chapter 10.2 "Return".

EN

10. Dismounting, return and disposal



WARNING!

Residual media on the test item and/or sensors of the CalibratorUnit can result in a risk to personnel, the environment and equipment. Take sufficient precautionary measures.

10.1 Dismounting

Only disconnect test and calibration installations once the system has been depressurised!

10.2 Return



WARNING!

Strictly observe the following when shipping the instrument:

All instruments delivered to WIKA must be free from any kind of hazardous substances (acids, bases, solutions, etc.).

When returning the instrument, use the original packaging or a suitable transport packaging.

To avoid damage:

1. Wrap the instrument in an antistatic plastic film.
2. Place the instrument, along with shock-absorbent material, in the packaging. Place shock-absorbent material evenly on all sides of the transport packaging.
3. If possible, place a bag containing a desiccant inside the packaging.
4. Label the shipment as carriage of a highly sensitive measuring instrument.

10. Dismounting, return and disposal



Information on returns can be found under the heading “Service” on our local website.

EN

10.3 Disposal

Incorrect disposal can put the environment at risk.

Dispose of instrument components and packaging materials in an environmentally compatible way and in accordance with the country-specific waste disposal regulations.



This marking on the instruments indicates that they must not be disposed of in domestic waste. The disposal is carried out by return to the manufacturer or by the corresponding municipal authorities (see EU directive 2012/19/EU).



11. Accessories

11. Accessories

Calibration

- 3.1 calibration certificate per DIN EN 10204 (standard)
- DKD/DAkkS calibration certificate (option)

For CPU6000-S

- Piston temperature sensor with 1 m (3.3 ft) cable (standard)
- Piston temperature sensor with 2.5 m (8.2 ft) cable
- Piston temperature sensor with 1 m (3.3 ft) cable for installation
- Piston temperature sensor with 2.5 m (8.2 ft) cable for installation
- Floating position sensor with 1 m (3.3 ft) cable, accuracy ± 0.5 mm (standard)
- Floating position sensor with 2.5 m (8.2 ft) cable, accuracy ± 0.5 mm
- Floating position sensor with 1 m (3.3 ft) cable, accuracy ± 0.5 mm for installation
- Floating position sensor with 2.5 m (8.2 ft) cable, accuracy ± 0.5 mm for installation
- Wall mounting

For CPU6000-W

- Temperature-humidity sensor
- WIKA sensor, 550 ... 1,150 mbar abs. (7.85 ... 16.68 psi abs.), accuracy 0.05 % FS (standard)
- Mensor sensor, 551 ... 1,172 mbar abs. (8 ... 17 psi abs.), accuracy 0.01 % of reading
- Wall mounting

For CPU6000-M

- Test cable set, consisting of 4 test cables, each with crocodile clamps and banana jack connector adapter in black and red
- Wall mounting

Voltage supply

- AC adapter, DC 24 V, 625 mA

Communication

- USB interface cable

Transport case

- Service case

EN

14097659.04 03/2016 EN/DE/IT



EG-Konformitätserklärung

EC Declaration of Conformity

Dokument Nr.:

14104769.01

Document No.:

14104769.01

Wir erklären in alleiniger Verantwortung, dass die mit CE gekennzeichneten Produkte

We declare under our sole responsibility that the CE marked products

Typ:

CPU6000-W, -S, -M

Model:

CPU6000-W, -S, -M

Beschreibung:

CalibratorUnit

Funkanlage (Klasse 1) mit eingebauten Bluetooth-Modul connectBlue cB-OLS425

Description:

CalibratorUnit

Radio Equipment (Class 1) with built-in Bluetooth module connectBlue cB-OLS425

gemäß gültigem Datenblatt:

CT 35.02

according to the valid data sheet:

CT 35.02

die grundlegenden Schutzanforderungen der folgenden Richtlinie(n) erfüllen:

1999/5/EG

are in conformity with the essential protection requirements of the directive(s)

1999/5/EC

Gesundheit und Sicherheit (Artikel 3 (1) a))

EN 60950:2006 + A11:2009 + A1:2010 + A12:2011
EN 62479:2010

protection of health and safety (Article 3 (1) (a))

EN 60950:2006 + A11:2009 + A1:2010 + A12:2011
EN 62479:2010

elektromagnetische Verträglichkeit (Artikel 3 (1) b))

EN 61326-1:2013
EN 301 489-1 V1.9.2
EN 301 489-17 V2.1.1

electromagnetic compatibility (Article 3 (1) b))

EN 61326-1:2013
EN 301 489-1 V1.9.2
EN 301 489-17 V2.1.1

effiziente Nutzung Frequenzspektrum (Artikel 3 (2))

EN 300 328 V1.7.1

effective use of spectrum (Article 3 (2))

EN 300 328 V1.7.1

Unterzeichnet für und im Namen von / Signed for and on behalf of

WIKAL Alexander Wiegand SE & Co. KG

Klingenberg, 2014-07-21

Geschäftsbereich / Company division: PI-CT

Qualitätsmanagement / Quality management: PI-CT



Alfred Häfner



Harald Hart

Unterschrift, autorisiert durch das Unternehmen / Signature authorized by the company

WIKAL Alexander Wiegand SE & Co. KG
Alexander-Wiegand-Strasse 30
63911 Klingenberg
Germany

Tel. +49 9372 132-0
Fax +49 9372 132-406
E-Mail info@wika.de
www.wika.de

Kommanditgesellschaft: Sitz Klingenberg –
Amtsgericht Aschaffenburg HRA 1819
Komplementärin: WIKAL Verwaltung SE & Co. KG –
Sitz Klingenberg – Amtsgericht Aschaffenburg
HRA 4605

Komplementärin:
WIKAL International SE - Sitz Klingenberg -
Amtsgericht Aschaffenburg HRB 10505
Vorstand: Alexander Wiegand
Vorsitzender des Aufsichtsrats: Dr. Max Egli



EN

14097659.04 03/2016 EN/DE/IT

Inhalt

1. Allgemeines	47
2. Sicherheit	49
2.1 Bestimmungsgemäße Verwendung	49
2.2 Personalqualifikation	50
2.3 Besondere Gefahren	50
2.4 Sicherheitshinweise für das Netzgerät	51
2.5 Beschilderung, Sicherheitskennzeichnungen.	52
2.5.1 Typenschilder	52
2.5.2 Symbolerklärung	53
3. Technische Daten	54
3.1 Technische Daten der CalibratorUnit Serie CPU6000	54
3.2 Abmessungen in mm / in	57
3.2.1 Wetterstation, Typ CPU6000-W	57
3.2.2 Sensorbox Kolbenmanometer, Typ CPU6000-S	58
3.2.3 Digitalmultimeter, Typ CPU6000-M.	59
3.3 Anschlussbelegungen	60
3.3.1 Wetterstation, Typ CPU6000-W	60
3.3.2 Sensorbox Kolbenmanometer, Typ CPU6000-S oder Digitalmultimeter, Typ CPU6000-M	61
3.4 Abmessungen mit Wandhalterung in mm / in	62
3.4.1 Wetterstation, Typ CPU6000-W oder Digitalmultimeter, Typ CPU6000-M	62
3.4.2 Isometrische Ansicht	62
3.4.3 Sensorbox Kolbenmanometer, Typ CPU6000-S	63
3.4.4 Isometrische Ansicht	63
4. Aufbau und Funktion	64
4.1 Beschreibung	64
4.2 Lieferumfang.	64
4.3 Wetterstation, Typ CPU6000-W	65
4.4 Sensorbox Kolbenmanometer, Typ CPU6000-S	66
4.5 Digitalmultimeter, Typ CPU6000-M	67
4.6 Sensoranschluss an Sensorbox Kolbenmanometer, Typ CPU6000-S	68
4.6.1 Einbauversion Kolbentemperatursensor	68
4.6.2 Einbauversion Schwebepositionssensor.	68
4.6.3 Kabelversion - Standard - Kolbentemperatursensor	69
4.6.4 Kabelversion - Standard - Schwebepositionssensor	69
4.7 Anschluss Druckmessumformer an Digitalmultimeter, Typ CPU6000-M.	69

DE

5. Transport, Verpackung und Lagerung	70
5.1 Transport	70
5.2 Verpackung	70
5.3 Lagerung	70
6. Inbetriebnahme, Betrieb	71
6.1 Anschließen der Serie CPU6000	71
6.2 Einrichten der Typen CPU6000	72
6.2.1 Einrichten des Typs CPU6000-W	72
6.2.2 Einrichten des Typs CPU6000-S	73
6.2.3 Einrichten des Typs CPU6000-M	75
6.3 Massenberechnung	76
7. Remote-Befehlssatz	77
8. Wartung, Reinigung und Rekalibrierung	80
8.1 Wartung	80
8.2 Reinigung	80
8.3 Rekalibrierung	80
9. Störungen	81
10. Demontage, Rücksendung und Entsorgung	82
10.1 Demontage	82
10.2 Rücksendung	82
10.3 Entsorgung	83
11. Zubehör	84
Anlage: EG-Konformitätserklärung	85

Konformitätserklärungen finden Sie online unter www.wika.de.

1. Allgemeines

- Die in der Betriebsanleitung beschriebenen CalibratorUnits, Typen CPU6000 werden nach dem aktuellen Stand der Technik konstruiert und gefertigt. Alle Komponenten unterliegen während der Fertigung strengen Qualitäts- und Umweltkriterien. Unsere Managementsysteme sind nach ISO 9001 und ISO 14001 zertifiziert.
- Diese Betriebsanleitung gibt wichtige Hinweise zum Umgang mit dem Gerät. Voraussetzung für sicheres Arbeiten ist die Einhaltung aller angegebenen Sicherheitshinweise und Handlungsanweisungen.
- Die für den Einsatzbereich des Gerätes geltenden örtlichen Unfallverhütungsvorschriften und allgemeinen Sicherheitsbestimmungen einhalten.
- Die Betriebsanleitung ist Produktbestandteil und muss in unmittelbarer Nähe des Gerätes für das Fachpersonal jederzeit zugänglich aufbewahrt werden. Betriebsanleitung an nachfolgende Benutzer oder Besitzer des Gerätes weitergeben.
- Das Fachpersonal muss die Betriebsanleitung vor Beginn aller Arbeiten sorgfältig durchgelesen und verstanden haben.
- Es gelten die allgemeinen Geschäftsbedingungen in den Verkaufsunterlagen.
- Technische Änderungen vorbehalten.
- Weitere Informationen:
 - Internet-Adresse: www.wika.de / www.wika.com
 - Zugehöriges Datenblatt: CT 35.02
 - Anwendungsberater: Tel.: +49 9372 132-0
Fax: +49 9372 132-5049
CTServiceteam@wika.com

1. Allgemeines

Symbolerklärung



WARNUNG!

... weist auf eine möglicherweise gefährliche Situation hin, die zum Tod oder zu schweren Verletzungen führen kann, wenn sie nicht gemieden wird.

DE



VORSICHT!

... weist auf eine möglicherweise gefährliche Situation hin, die zu geringfügigen oder leichten Verletzungen bzw. Sach- und Umweltschäden führen kann, wenn sie nicht gemieden wird.



GEFAHR!

... kennzeichnet Gefährdungen durch elektrischen Strom. Bei Nichtbeachtung der Sicherheitshinweise besteht die Gefahr schwerer oder tödlicher Verletzungen.



Information

... hebt nützliche Tipps und Empfehlungen sowie Informationen für einen effizienten und störungsfreien Betrieb hervor.

Abkürzungen

2-Leiter	Die zwei Anschlussleitungen dienen zur Spannungsversorgung. Der Speisestrom ist das Messsignal.
3-Leiter	Zwei Anschlussleitungen dienen zur Spannungsversorgung. Eine Anschlussleitung dient für das Messsignal.
UB	Positiver Versorgungsanschluss
S+	Positiver Messanschluss

2. Sicherheit



WARNUNG!

Vor Montage, Inbetriebnahme und Betrieb sicherstellen, dass die richtige CalibratorUnit hinsichtlich Messbereich, Ausführung und spezifischen Messbedingungen ausgewählt wurde.

Bei Nichtbeachten können schwere Körperverletzungen und/oder Sachschäden auftreten.



Weitere wichtige Sicherheitshinweise befinden sich in den einzelnen Kapiteln dieser Betriebsanleitung.

DE

2.1 Bestimmungsgemäße Verwendung

Die Serie CPU6000 umfasst drei Geräte: Wetterstation Typ CPU6000-W, Sensorbox Kolbenmanometer Typ CPU6000-S und Digitalmultimeter Typ CPU6000-M. Alle Produkte dienen der Messwertaufnahme für kalibrierzeugnisrelevante Daten. Das neue Kalibrierkonzept vereinfacht die Zeugniserstellung und erhöht die Produktivität und Qualität des Zeugniserstellungsprozesses.

Das Gerät ist ausschließlich für den hier beschriebenen bestimmungsgemäßen Verwendungszweck konzipiert und konstruiert und darf nur dementsprechend verwendet werden.

Die technischen Spezifikationen in dieser Betriebsanleitung sind einzuhalten. Eine unsachgemäße Handhabung oder ein Betreiben des Gerätes außerhalb der technischen Spezifikationen macht die sofortige Stilllegung und Überprüfung durch einen autorisierten WIKA-Servicemitarbeiter erforderlich.

Elektronische Präzisionsmessgeräte mit erforderlicher Sorgfalt behandeln (vor Nässe, Stößen, starken Magnetfeldern, statischer Elektrizität und extremen Temperaturen schützen, keine Gegenstände in das Gerät bzw. Öffnungen einführen). Stecker und Buchsen vor Verschmutzung schützen.

Wird das Gerät von einer kalten in eine warme Umgebung transportiert, so kann durch Kondensatbildung eine Störung der Gerätefunktion eintreten. Vor einer erneuten Inbetriebnahme die Angleichung der Gerätetemperatur an die Raumtemperatur abwarten.

Ansprüche jeglicher Art aufgrund von nicht bestimmungsgemäßer Verwendung sind ausgeschlossen.

2.2 Personalqualifikation



WARNUNG!

Verletzungsgefahr bei unzureichender Qualifikation!

Unsachgemäßer Umgang kann zu erheblichen Personen- und Sachschäden führen.

Die in dieser Betriebsanleitung beschriebenen Tätigkeiten nur durch Fachpersonal nachfolgend beschriebener Qualifikation durchführen lassen.

Spezielle Einsatzbedingungen verlangen weiteres entsprechendes Wissen, z. B. über aggressive Medien.

Elektrofachpersonal

Das Elektrofachpersonal ist aufgrund seiner fachlichen Ausbildung, Kenntnisse und Erfahrungen sowie Kenntnis der landesspezifischen Vorschriften, geltenden Normen und Richtlinien in der Lage, Arbeiten an elektrischen Anlagen auszuführen und mögliche Gefahren selbstständig zu erkennen und zu vermeiden.

Das Elektrofachpersonal ist speziell für das Arbeitsumfeld, in dem es tätig ist, ausgebildet und kennt die relevanten Normen und Bestimmungen.

Das Elektrofachpersonal muss die Bestimmungen der geltenden gesetzlichen Vorschriften zur Unfallverhütung erfüllen.

2.3 Besondere Gefahren



WARNUNG!

Bei gefährlichen Messstoffen wie z. B. Sauerstoff, Acetylen, brennbaren oder giftigen Stoffen, sowie bei Kälteanlagen, Kompressoren etc. müssen über die gesamten allgemeinen Regeln hinaus die einschlägigen Vorschriften beachtet werden.

Messstoffreste am Prüfling und/oder den Sensoren der CalibratorUnit können zur Gefährdung von Personen, Umwelt und Einrichtung führen. Ausreichende Vorsichtsmaßnahmen ergreifen.

2.4 Sicherheitshinweise für das Netzgerät



GEFAHR!

Lebensgefahr durch elektrischen Strom

Bei Berührung mit spannungsführenden Teilen besteht unmittelbare Lebensgefahr.

- Bei Betrieb mit einem defekten Netzgerät (z. B. Kurzschluss von Netzspannung zur Ausgangsspannung) können am Gerät lebensgefährliche Spannungen auftreten!
- Bei sichtbaren Schäden am Gehäuse oder an der Leitung das Netzgerät nicht benutzen!
- Das Netzgerät niemals an den folgenden Stellen anbringen oder aufbewahren, da es hier zu Betriebsschäden kommen kann:
 - Stellen, die stark Feuchtigkeit bzw. Kondenswasser ausgesetzt sind
 - Stellen, die besonderen Umwelteinflüssen ausgesetzt sind
 - Stellen, die ständigen Vibrationen unterliegen
 - Stellen, die starken Temperaturschwankungen unterliegen
 - Im Freien
- Das Netzgerät bei Gewitter oder wenn es länger nicht benutzt wird, vom Netz trennen.
- Nicht am Kabel ziehen um das Netzgerät vom Netz zu trennen.
- Das Netzgerät ist wartungsfrei. Es darf nicht geöffnet werden (Risiko eines elektrischen Schlages).
- Eine Modifikation des Netzgerätes ist nicht erlaubt (Erlöschen der Gewährleistung).
- Das Netzgerät nur von autorisiertem Fachpersonal reparieren lassen.
- Vor dem Reinigen das Netzteil vom Netz trennen. Nicht mit chemischen Reinigungsmitteln säubern. Nur mit einem trockenen Tuch abwischen.
- Das Netzgerät fachgerecht entsorgen (Elektro- und Elektronikgeräteabfall nach ElektroG).

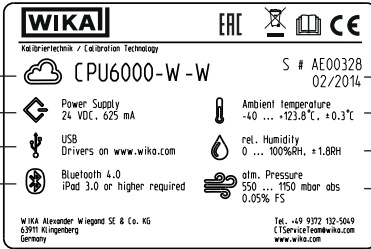
Die Benutzung des Netzgerätes darf nur bei einer Umgebungstemperatur von 0 ... 40 °C (32 ... 104 °F) erfolgen (Luftfeuchtigkeit: bis 90 % relative Feuchte, nicht kondensierend).

2. Sicherheit

2.5 Beschilderung, Sicherheitskennzeichnungen

2.5.1 Typenschilder

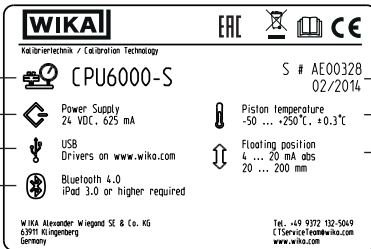
Wetterstation, Typ CPU6000-W



- ⑧
- ⑦
- ⑥
- ⑤
- ④
- ③
- ②
- ①

- ① Serien-Nr. und Herstellungsdatum
- ② Umgebungstemperatur
- ③ Relative Luftfeuchtigkeit
- ④ Atmosphärischer Luftdruck
- ⑤ WIKAL-Wireless-Antenne
- ⑥ Schnittstellenanschluss
- ⑦ Hilfsenergie
- ⑧ Typ

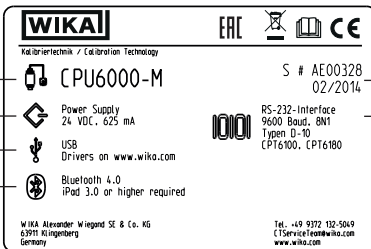
Sensorbox Kolbenmanometer, Typ CPU6000-S



- ⑦
- ⑥
- ⑤
- ④
- ③
- ②
- ①

- ① Serien-Nr. und Herstellungsdatum
- ② Kolbentemperatur
- ③ Schwebeposition der Massen
- ④ WIKAL-Wireless-Antenne
- ⑤ Schnittstellenanschluss
- ⑥ Hilfsenergie
- ⑦ Typ

Digitalmultimeter, Typ CPU6000-M



- ⑥
- ⑤
- ④
- ③
- ②
- ①

- ① Serien-Nr. und Herstellungsdatum
- ② Schnittstelle
- ③ WIKAL-Wireless-Antenne
- ④ Schnittstellenanschluss
- ⑤ Hilfsenergie
- ⑥ Typ

DE

2. Sicherheit

2.5.2 Symbolerklärung



Vor Montage und Inbetriebnahme des Gerätes unbedingt die Betriebsanleitung lesen!



CE, Communauté Européenne

Geräte mit dieser Kennzeichnung stimmen überein mit den zutreffenden europäischen Richtlinien.



Bei Geräten mit dieser Kennzeichnung wird darauf hingewiesen, dass diese nicht in den Hausmüll entsorgt werden dürfen. Die Entsorgung erfolgt durch Rücknahme bzw. durch entsprechende kommunale Stellen (siehe EU-Richtlinie 2012/19/EU).



DE

3. Technische Daten




3. Technische Daten

3.1 Technische Daten der CalibratorUnit Serie CPU6000

DE





Wetterstation, Typ CPU6000-W

Symbol	Beschreibung	Messbereich	Genauigkeit
	Umgebungstemperatur	-40 ... +123,8 °C (-40 ... +254,84 °F)	±0,5 °C (0,9 °F) ¹⁾
	Relative Luftfeuchtigkeit	0 ... 100 % r. F.	±5,0 % r. F. ²⁾
	Atmosphärischer Luftdruck	550 ... 1.150 mbar abs. (7,85 ... 16,68 psi abs.) (opt. 551 ... 1.172 mbar abs.) (8 ... 17 psi abs.)	0,05 % FS (opt. 0,01 % v. MW)

- 1) Die Kalibrierung wird für die Punkte 18 °C (64,4 °F), 23 °C (73,4 °F) und 25 °C (77 °F) durchgeführt und erfolgt nach einer Aufwärmzeit von 120 Minuten.
- 2) Die Kalibrierung wird für die Punkte 30 % r. F., 50 % r. F. und 80 % r. F. durchgeführt und erfolgt nach einer Aufwärmzeit von 120 Minuten.



Sensorbox Kolbenmanometer, Typ CPU6000-S

Symbol	Beschreibung	Messbereich	Genauigkeit
	Kolbentemperatur	-50 ... +250 °C (-58 ... +482 °F)	±0,1 °C bei 20 °C ¹⁾ (±0,18 °F bei 68 °F) ¹⁾
	Schwebeposition der Massen	4 ... 20 mA 20 ... 200 mm (0,79 ... 7,87 in)	±0,5 mm (±0,02 in)

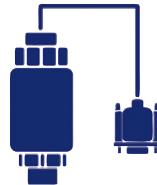
- 1) Die Kalibrierung wird für die Punkte 18 °C (64,4 °F), 23 °C (73,4 °F) und 25 °C (77 °F) durchgeführt und erfolgt nach einer Aufwärmzeit von 120 Minuten.

14097659.04 03/2016 EN/DE/IT

3. Technische Daten



Empfohlen wird der Einbau der Sensorbox bei Kolbenmanometer der Serie CPB5000, CPB5000HP und CPB5800.



DE

Digitalmultimeter, Typ CPU6000-M		
Symbol	Beschreibung	
+ mA -	Stromeingang	Messbereich 0 ... 20 mA Genauigkeit $\pm 5 \mu\text{A}$
+ V -	Spannungseingang	Messbereich 0 ... 10 V Genauigkeit $\pm 1 \text{ mV}$
+ Out -	Spannungsversorgung	DC 24 V (Bürde: max. 50 mA; min. 20 mA)
10101	Schnittstelle	Typ D-10 Typen CPT6100 und CPT6180 RS-232-Schnittstelle, 9600 Baud, 8N1

Grundgerät	Typ CPU6000-W	Typ CPU6000-S	Typ CPU6000-M
Spannungsversorgung			
Hilfsenergie	DC 24 V, 625 mA		
Zulässige Umgebungsbedingungen			
Betriebstemperatur	15 ... 45 °C (59 ... 113 °F)		
Lagertemperatur	0 ... 70 °C (32 ... 158 °F)		
Kommunikation			
Schnittstelle	USB mit PC, WIKA-Wireless 4.0 mit iPad® 3.0 oder höher		
WIKA-Wireless			
Frequenzbereich	2,402 ... 2,480 GHz		
HF-Ausgangsleistung	max. 2 dBm (+ 2 dBi)		



14097659.04 03/2016 EN/DE/IT

3. Technische Daten

Grundgerät	Typ CPU6000-W	Typ CPU6000-S	Typ CPU6000-M
Gehäuse			
Abmessungen (B x H x T)	190,4 x 58 x 110 mm (7,50 x 2,28 x 4,33 in)	190,4 x 58 x 80 mm (7,50 x 2,28 x 3,15 in)	190,4 x 58 x 110 mm (7,50 x 2,28 x 4,33 in)
Gewicht	1,44 kg (3,18 lbs)	1,18 kg (2,60 lbs)	1,29 kg (2,84 lbs)

DE

Zulassungen

Logo	Beschreibung	Land
	EG-Konformitätserklärung <ul style="list-style-type: none"> ■ EMV-Richtlinie 2004/108/EG EN 61326-1 Emission (Gruppe 1, Klasse B) und Störfestigkeit („grundlegende Umgebung“: Gewerbe-, Labor-, Servicebereiche oder Werkstätten) ■ R&TTE-Richtlinie 1999/5/EG EN 300 228, Harmonisierter Frequenzbereich 2.400 ... 2.500 MHz wird verwendet Das Gerät darf ohne Einschränkungen in der EU und CH, N und FL eingesetzt werden. 	Europäische Gemeinschaft
	EAC <ul style="list-style-type: none"> ■ Elektromagnetische Verträglichkeit ■ Niederspannungsrichtlinie 	Eurasische Wirtschaftsgemeinschaft

Zertifikate/Zeugnisse

Zertifikat	
Kalibrierung	Standard: Kalibrierzertifikat 3.1 nach DIN EN 10204 Option: DKD/DAkS-Kalibrierzertifikat
Empfohlenes Rekalibrierungsintervall	1 Jahr (abhängig von den Nutzungsbedingungen)

Zulassungen und Zertifikate siehe Internetseite

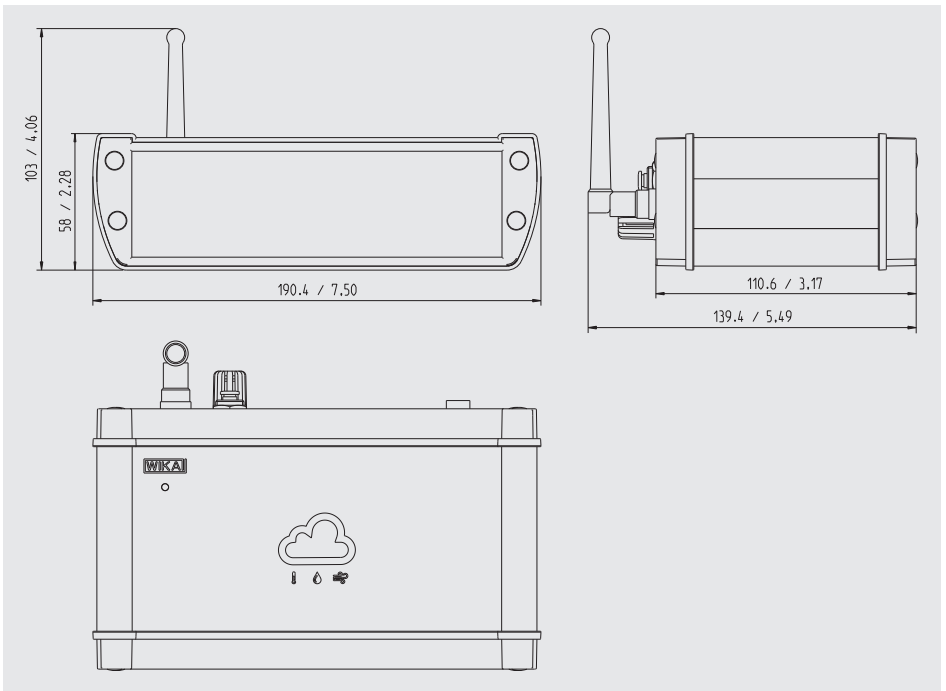
Weitere technische Daten siehe WIKA-Datenblatt CT 35.02 und Bestellunterlagen.

14097659.04 03/2016 EN/DE/IT

3. Technische Daten

3.2 Abmessungen in mm / in

3.2.1 Wetterstation, Typ CPU6000-W

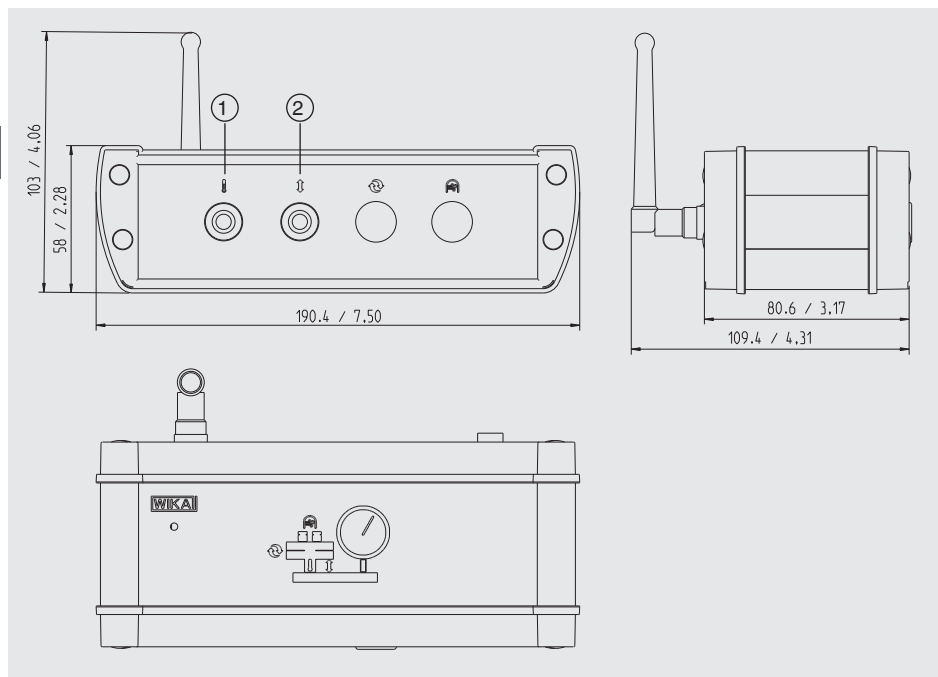


DE

3. Technische Daten

3.2.2 Sensorbox Kolbenmanometer, Typ CPU6000-S

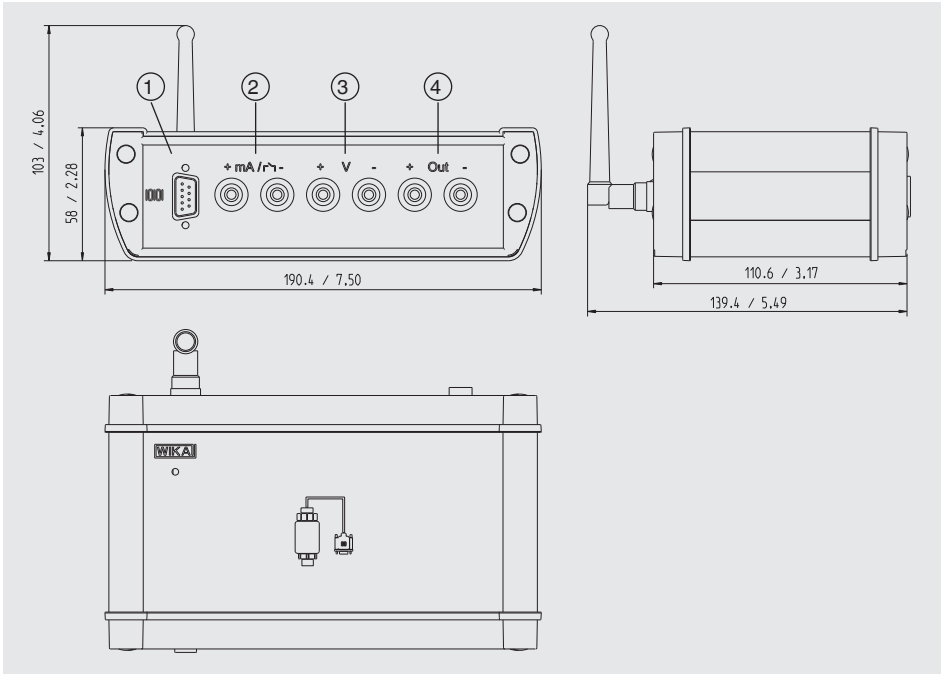
DE



- ① Anschluss Kolbentempersensor
- ② Anschluss Schwebepositionssensor

3. Technische Daten

3.2.3 Digitalmultimeter, Typ CPU6000-M



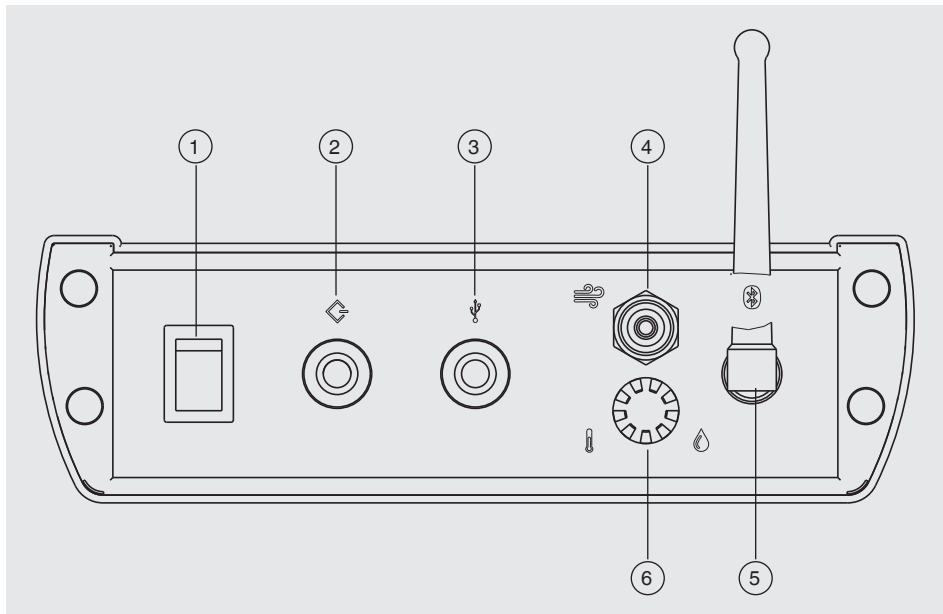
DE

- ① RS-232-Schnittstelle
- ② Stromeingang
- ③ Spannungseingang
- ④ Spannungsversorgung für Prüfling

3. Technische Daten

3.3 Anschlussbelegungen

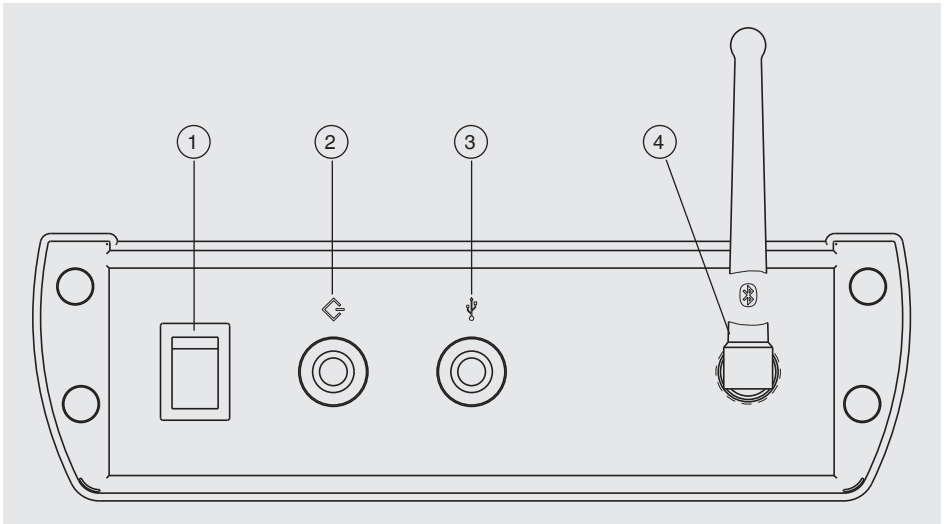
3.3.1 Wetterstation, Typ CPU6000-W



- ① Ein-/Aus-Schalter
- ② Netzanschluss DC 24 V
- ③ USB-Schnittstelle
- ④ 4-mm-Schlauchanschluss für interne barometrische Referenz
- ⑤ WIKA-Wireless 4.0 Antenne
- ⑥ Feuchte-Temperatur-Sensor

3. Technische Daten

3.3.2 Sensorbox Kolbenmanometer, Typ CPU6000-S oder Digitalmultimeter, Typ CPU6000-M



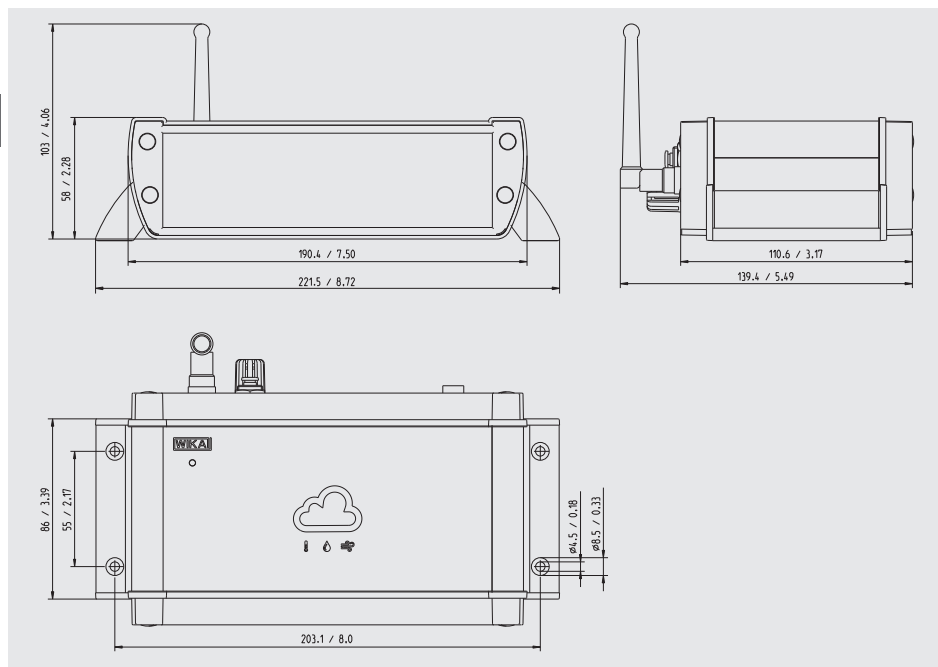
DE

- ① Ein-/Aus-Schalter
- ② Netzanschluss DC 24 V
- ③ USB-Schnittstelle
- ④ WIKA-Wireless 4.0 Antenne

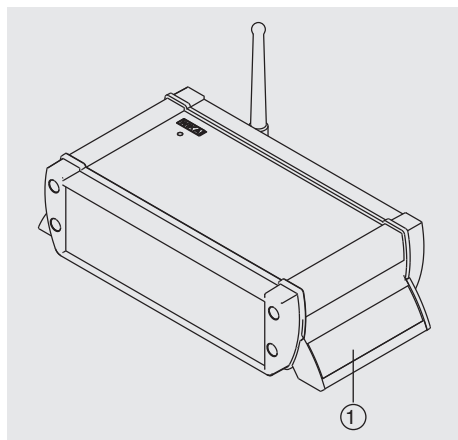
3. Technische Daten

3.4 Abmessungen mit Wandhalterung in mm / in

3.4.1 Wetterstation, Typ CPU6000-W oder Digitalmultimeter, Typ CPU6000-M



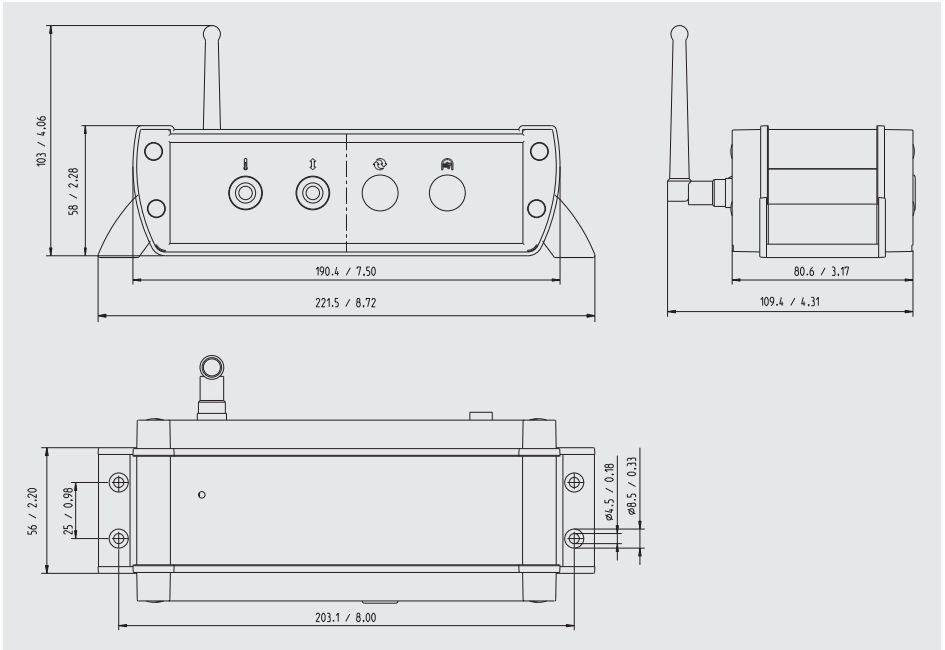
3.4.2 Isometrische Ansicht



- ① Schraubenlöcher mit Dekorstreifen verschlossen

3. Technische Daten

3.4.3 Sensorbox Kolbenmanometer, Typ CPU6000-S



DE

3.4.4 Isometrische Ansicht



- ① Schraubenlöcher mit Dekorstreifen verschlossen

4. Aufbau und Funktion

4.1 Beschreibung

Die Serie CPU6000 umfasst drei Geräte:

- Wetterstation Typ CPU6000-W
- Sensorbox Kolbenmanometer Typ CPU6000-S
- Digitalmultimeter Typ CPU6000-M

Alle Produkte dienen der Messwertaufnahme für kalibrierzeugnisrelevante Daten. Dieses Kalibrierkonzept vereinfacht die Zeugniserstellung und erhöht die Produktivität und Qualität des Zeugnisstellungsprozesses.

In Kombination mit einem beliebigen Kolbenmanometer, der CPB-CAL (iPad®-App) und/oder der WIKA-CAL (PC-Software) können die erforderlichen Massenauflagen oder der Referenzdruck bestimmt werden. Durch einfaches Bedienen und Einrichten wird das Berechnen der Massenauflagen bzw. des Druckes erleichtert. Die CalibratorUnit berücksichtigt alle kritischen Einflussgrößen und erhöht somit die Genauigkeit der Messung.

Ein Kalibrieren von Relativdruck-Messgeräten mit Absolutdruck-Referenzen und umgekehrt ist ebenfalls möglich. Durch die integrierte Spannungsversorgung und Multi-meterfunktion können einfache Kalibrierungen von Druckmessumformern durchgeführt werden.

Die Wetterstation und das Digitalmultimeter können unabhängig von der Kolbenmanometerkalibrierung auch mit anderen Kalibriergeräten und der Software WIKA-CAL eingesetzt werden. Bestehende automatische Kalibriersysteme sind somit erweiterbar. Durch die integrierte Spannungsversorgung und Multimeterfunktion können einfache Kalibrierungen von Druckmessumformern durchgeführt werden.

4.2 Lieferumfang

- Typ CPU6000-W, Typ CPU6000-S oder Typ CPU6000-M
- Steckernetzteil DC 24 V, 625 mA
- Werkskalibrierschein
- Betriebsanleitung in deutscher und englischer Sprache

Lieferumfang mit dem Lieferschein abgleichen.

4. Aufbau und Funktion

4.3 Wetterstation, Typ CPU6000-W

Die CPU6000-W stellt die Messwerte wie atmosphärischer Luftdruck, relative Luftfeuchtigkeit und Umgebungstemperatur der Laborumgebung zur Verfügung. Die Software WIKA-CAL dokumentiert automatisch im jeweiligen Prüfprotokoll die gemessenen Werte und archiviert diese in der Datenbank. Des Weiteren werden mit dieser Software oder der iPad®-Applikation CPB-CAL die Messwerte in Verbindung mit Kolbenmanometern für die Berechnung der Massenauflagen verwendet.

DE



Messaufbau: Kolbenmanometer Typ CPB5800, Wetterstation Typ CPU6000-W, Sensorbox Kolbenmanometer Typ CPU6000-S und PC/Laptop

4. Aufbau und Funktion

4.4 Sensorbox Kolbenmanometer, Typ CPU6000-S

Die CPU6000-S misst die Kolbentemperatur und zeigt die Schwebeposition der Massen an. Die Sensorik wird direkt am Kolbenmanometer angebracht und dient zum Erreichen der höchsten Genauigkeit mit einem Kolbenmanometer.



Messaufbau: Kolbenmanometer Typ CPB5800, Wetterstation Typ CPU6000-W, Sensorbox Kolbenmanometer Typ CPU6000-S und PC/Laptop

4. Aufbau und Funktion

4.5 Digitalmultimeter, Typ CPU6000-M

Das CPU6000-M erfüllt die Funktion eines Digitalmultimeters und Netzteils, wenn elektronische Druckmessumformer kalibriert werden sollen. Die CPU6000-M versorgt Prüflinge mit DC 24 V und misst Spannung- und Stromsignale. Zusätzlich können digitale Drucksensoren wie die Typen CPT61X0 und Typ D-10 direkt über die RS-232-Schnittstelle angeschlossen werden.

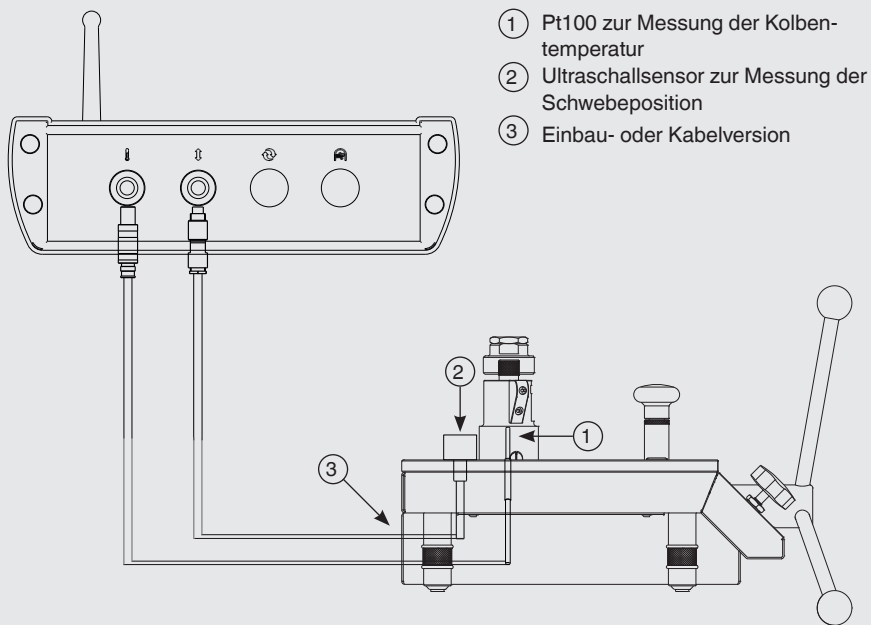
DE



Messaufbau: Pneumatischer High-Speed Druckcontroller Typ CPC3000, Digitalmultimeter Typ CPU6000-M und PC/Laptop

4. Aufbau und Funktion

4.6 Sensoranschluss an Sensorbox Kolbenmanometer, Typ CPU6000-S



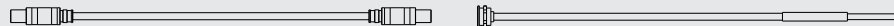
4.6.1 Einbauversion Kolbentempersensor

Lemo-Stecker

Lemo-Stecker

Lemo-Buchse

Pt100-Fühler



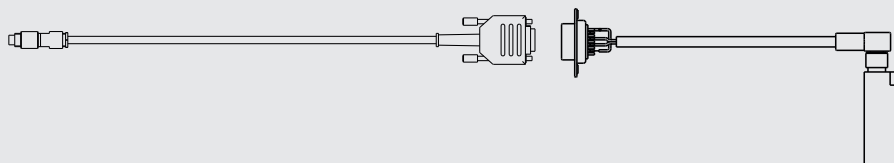
4.6.2 Einbauversion Schwebebeziehungssensor

Binder-Stecker

Sub-D-Stecker

Sub-D-Buchse

Schwebebeziehungssensor



4. Aufbau und Funktion

4.6.3 Kabelversion - Standard - Kolbentempersensor

Lemo-Stecker

Pt100-Fühler

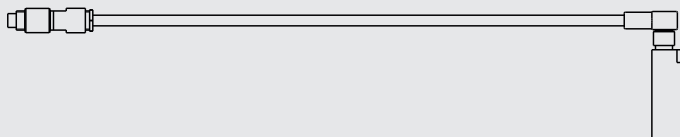


DE

4.6.4 Kabelversion - Standard - Schwebepositionssensor

Binder-Stecker

Schwebepositionssensor

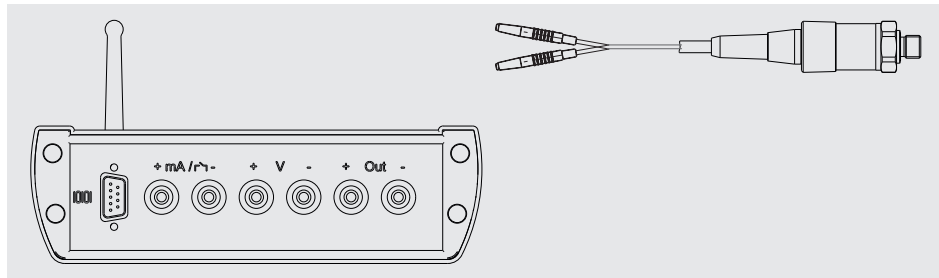


4.7 Anschluss Druckmessumformer an Digitalmultimeter, Typ CPU6000-M

Prüfling	Eigenversorgung	mA max. 24 mA		V max. DC 12 V		DC 24 V Ausgang	
		+	-	+	-	+	-
2-Leiter (mA)	nein	sig-				sig+	
2-Leiter (mA)	ja	sig+	sig-				
3-Leiter (mA)	nein	sig+				UB+	UB-
3-Leiter (V)	nein			sig+		UB+	UB-

Es ist keine externe elektrische Brücke notwendig!

Die Anschlussbelegung für die verschiedenen Druckmessumformer ist auf der Unterseite der CPU6000-M abgebildet.



5. Transport, Verpackung und Lagerung

5.1 Transport

Die CalibratorUnit Typ CPU6000 auf eventuell vorhandene Transportschäden untersuchen. Offensichtliche Schäden unverzüglich mitteilen.

DE

5.2 Verpackung

Verpackung erst unmittelbar vor der Montage entfernen.

Die Verpackung aufbewahren, denn diese bietet bei einem Transport einen optimalen Schutz (z. B. wechselnder Einbauort, Reparatursendung usw.).

5.3 Lagerung

Zulässige Bedingungen am Lagerort:

Für die CPU6000-Serie und Netzgerät

- Lagertemperatur: 0 ... 70 °C (32 ... 158 °F)
- Feuchtigkeit: 35 ... 85 % relative Feuchte (keine Betauung)

Folgende Einflüsse vermeiden:

- Direktes Sonnenlicht oder Nähe zu heißen Gegenständen
- Mechanische Vibration, mechanischer Schock (hartes Aufstellen)
- Ruß, Dampf, Staub und korrosive Gase
- Explosionsgefährdete Umgebung, entzündliche Atmosphären
- Korrosiven Flüssigkeiten

Die CalibratorUnit Typ CPU6000 in der Originalverpackung an einem Ort lagern, der die oben gelisteten Bedingungen erfüllt. Wenn die Originalverpackung nicht vorhanden ist, dann das Gerät wie folgt verpacken und lagern:

1. Das Gerät in eine antistatische Plastikfolie einhüllen.
2. Das Gerät mit dem Dämmmaterial in der Verpackung platzieren.
3. Bei längerer Einlagerung (mehr als 30 Tage) einen Beutel mit Trocknungsmittel der Verpackung beilegen.



WARNUNG!

Vor der Einlagerung des Gerätes und deren Sensorik (nach Betrieb) alle anhaftenden Messstoffreste entfernen. Dies ist besonders wichtig, wenn der Messstoff gesundheitsgefährdend ist, wie z. B. ätzend, giftig, krebserregend, radioaktiv, usw.

6. Inbetriebnahme, Betrieb

6.1 Anschließen der Serie CPU6000



WARNUNG!

- Geräte nur im ausgeschalteten Zustand montieren und anschließen!
- Nur das mitgelieferte Steckernetzteil von WIKA verwenden!
- Keine elektrischen Leitungen länger als 3 Meter anschließen!

DE

Vor der Inbetriebnahme alle zu messenden Geräte anschließen. Ein versehentliches Anschließen der einzelnen Komponenten ist aufgrund der unterschiedlichen Stecker-Buchsen-Kombinationen ausgeschlossen.



Beim Anschließen eines elektronischen Druckmessumformers auf die richtige Polung achten.

Genauere Anschlussbelegung sind in den technischen Zeichnungen dargestellt (siehe Kapitel 3 „Technische Daten“).

Ist eine Wandhalterung im Gerät integriert, kann die CPU6000 z. B. an der Wand oder unter einem Tisch montiert werden. Dabei ist die Lage irrelevant für die Messungen und die Kommunikation mit dem PC/Laptop oder dem iPad®.

6. Inbetriebnahme, Betrieb

6.2 Einrichten der Typen CPU6000

6.2.1 Einrichten des Typs CPU6000-W

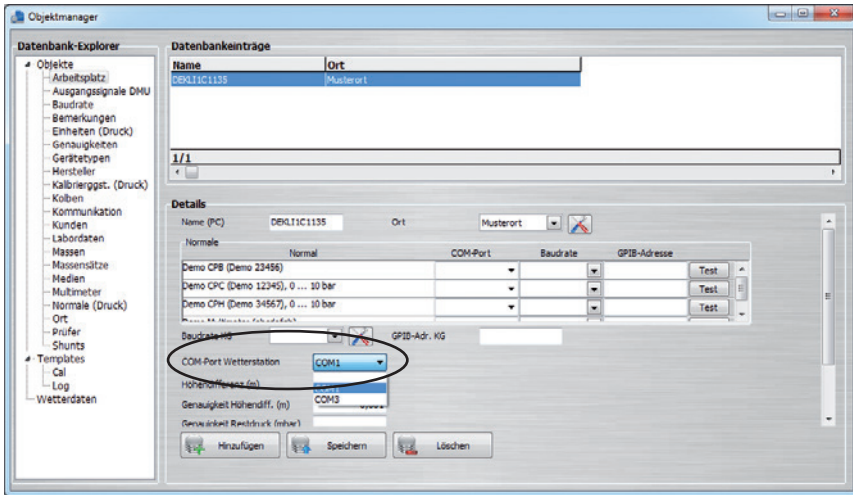
1. CPU6000-W über mitgeliefertes USB-Kabel mit PC/Laptop verbinden.
2. Treiber direkt von der lokalen Internetseite herunterladen und installieren.
http://de-de.wika.de/cpu6000_w_cpu6000_s_cpu6000_m_de_de.WIKA
→ Software → Schnittstellentreiber

DE

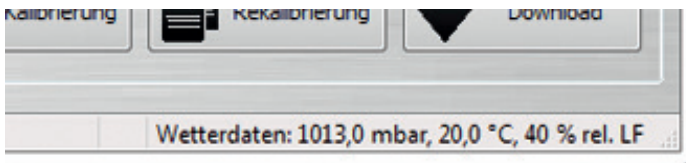


Der Treiber ist korrekt installiert, wenn im Windows-Geräte manager beim Ein- oder Ausschalten der CPU ein COM-Port unter „**Anschlüsse**“ erscheint.

3. In der WIKA-CAL im „**Objektmanager**“ unter „**Arbeitsplatz**“ den neuen COM-Port unter „**COM-Port Wetterstation**“ auswählen und den Datensatz speichern.



Die Software fragt alle 10 Sekunden einen neuen Wert von der CPU6000-W ab und speichert alle 30 Sekunden den aktuellen Wert unter „**Wetterdaten**“ im „**Objektmanager**“. Zusätzlich werden die Umgebungsbedingungen auch in der Dokumentansicht und unten rechts in der Statusleiste aktualisiert.



6. Inbetriebnahme, Betrieb

6.2.2 Einrichten des Typs CPU6000-S

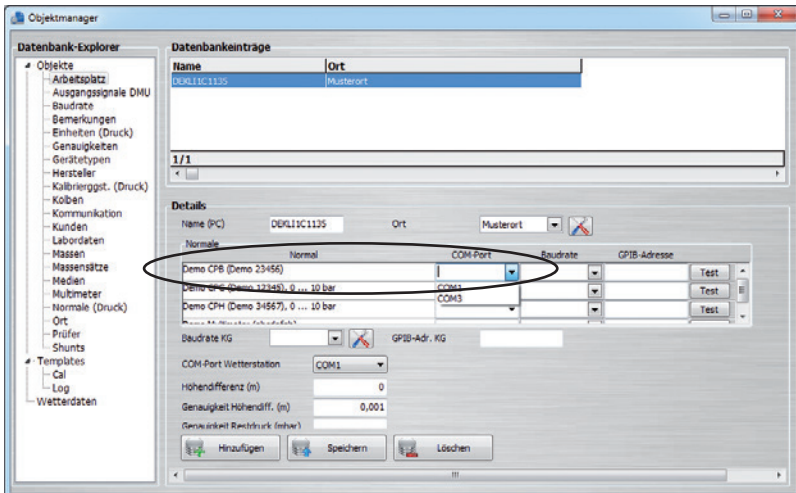
1. CPU6000-S über mitgeliefertes USB-Kabel mit PC/Laptop verbinden.
2. Treiber direkt von der lokalen Internetseite herunterladen und installieren.
http://de-de.wika.de/cpu6000_w_cpu6000_s_cpu6000_m_de_de.WIKA
→ Software → Schnittstellentreiber



Der Treiber ist korrekt installiert, wenn im Windows-Gerätemanager beim Ein- oder Ausschalten der CPU ein COM-Port unter „**Anschlüsse**“ erscheint.

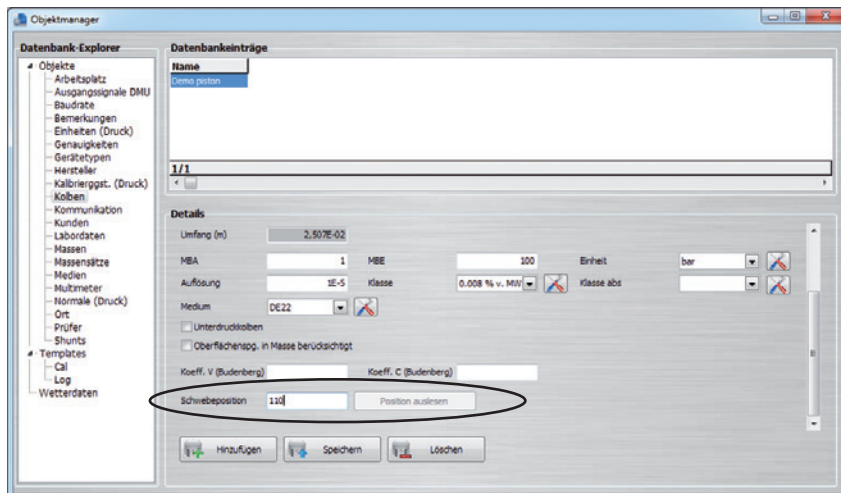
DE

3. In der WIKA-CAL im „**Objektmanager**“ unter „**Arbeitsplatz**“ den neuen COM-Port unter „**COM-Port**“ des angelegten Kolbenmanometers auswählen und den Datensatz speichern. Es muss zuerst das Kolbenmanometer angelegt und dem Arbeitsplatz zugeordnet sein (siehe Bedienungsanleitung WIKA-CAL, Kapitel 6.3.18 „Normale (Druck)“).
4. Baudrate 9600 einstellen und über den **[Test]**-Button die Kommunikation prüfen. Die Kommunikation ist korrekt, wenn ein realistischer Wert angezeigt wird.

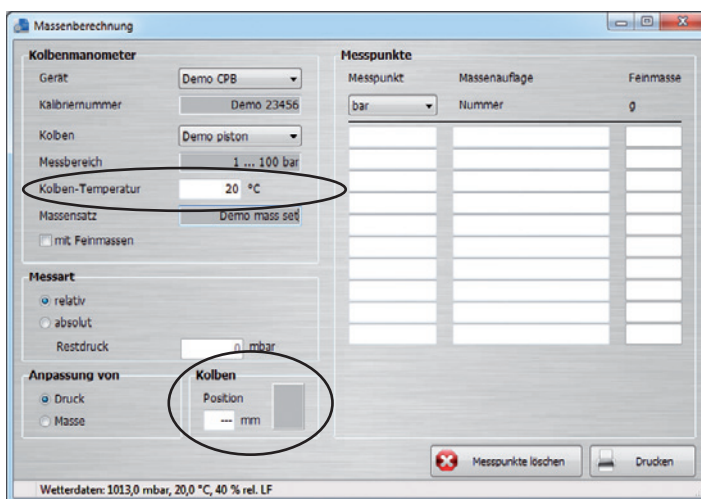


5. Im „**Objektmanager**“ unter „**Kolben**“ muss für den jeweiligen Kolben des Kolbenmanometers die „**Schwebeposition**“ mit angegeben werden. Diese kann manuell in [mm] eingetragen werden oder über den Button **[Position auslesen]** ausgelesen werden. Mit **[Speichern]** muss der Datensatz anschließend gesichert werden um die Einstellungen zu übernehmen.

6. Inbetriebnahme, Betrieb



6. Im Massenberechnungstool kann nach erfolgreichem Anschließen die Kolbentemperatur und die Schwebeposition ausgelesen werden. Die Berechnung der Massen passt sich automatisch auf die neue Kolbentemperatur an.



6. Inbetriebnahme, Betrieb

6.2.3 Einrichten des Typs CPU6000-M

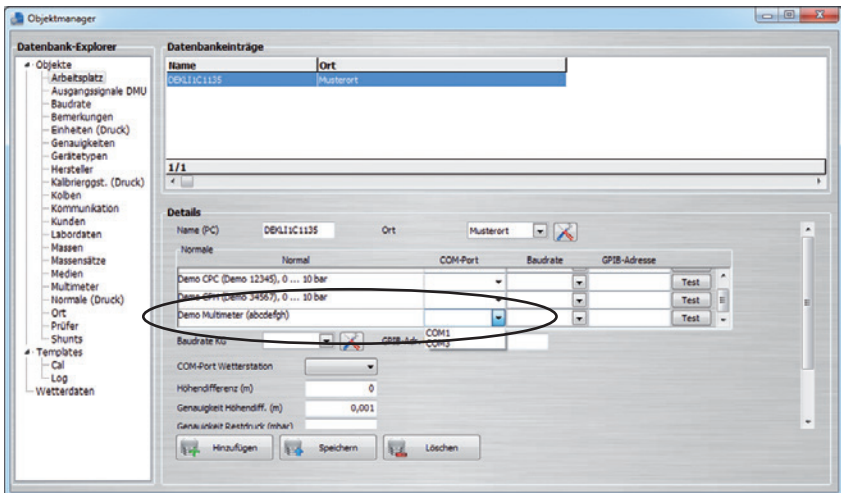
1. CPU6000-M über mitgeliefertes USB-Kabel mit PC/Laptop verbinden.
2. Treiber direkt von der lokalen Internetseite herunterladen und installieren.
http://de-de.wika.de/cpu6000_w_cpu6000_s_cpu6000_m_de_de.WIKA
→ Software → Schnittstellentreiber



Der Treiber ist korrekt installiert, wenn im Windows-Gerätemanager beim Ein- oder Ausschalten der CPU ein COM-Port unter „**Anschlüsse**“ erscheint.

DE

3. In der WIKA-CAL im „**Objektmanager**“ unter „**Arbeitsplatz**“ den neuen COM-Port unter „**COM-Port**“ der angelegten CPU6000-M (Multimeter) auswählen und den Datensatz speichern. Es muss zuerst das Multimeter angelegt und dem Arbeitsplatz zugeordnet sein (siehe Bedienungsanleitung WIKA-CAL, Kapitel 6.3.17 „Multimeter“).
4. Baudrate 9600 einstellen und über den **[Test]**-Button die Kommunikation prüfen. Die Kommunikation ist korrekt, wenn ein realistischer Wert angezeigt wird.



6. Inbetriebnahme, Betrieb

6.3 Massenberechnung

Massenberechnungstool

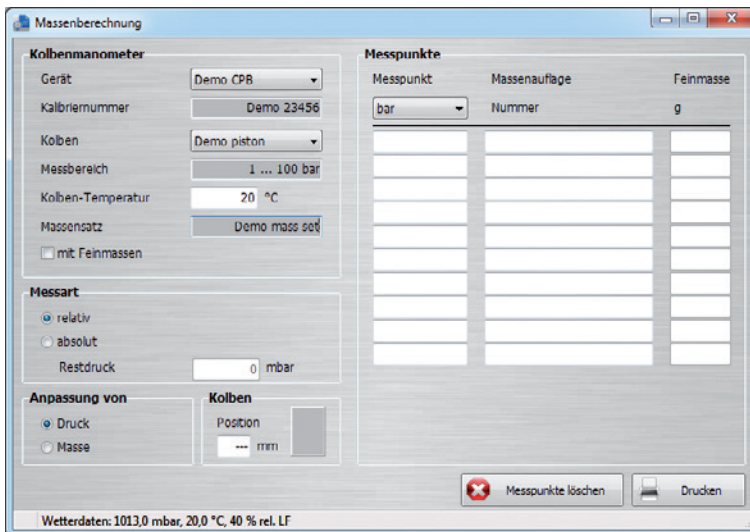
Das Tool dient zur Umrechnung von Masse in Druck und umgekehrt für Kolbenmanometer. Zuerst muss ein Gerät (Kolbenmanometer) und der zugehörige Kolben gewählt werden. Der Massensatz wird dementsprechend gewählt. Die Kolbenmanometerdaten müssen zuvor im Objektmanager eingetragen oder über eine XML-Datei importiert worden sein (siehe Bedienungsanleitung WIKA-CAL Kapitel 6.3.18 „Normale (Druck)“, 3.2.1.1 „Importieren, Datenbank sichern, wiederherstellen, Beenden“).

DE

Wird ein Druckwert in die linke Spalte eingegeben und auf Enter gedrückt, werden die Zellen die oberhalb liegen mit gleichmäßig verteilten Werten vorgefüllt. z. B. untere linke Zelle mit Endwert füllen -> gleichmäßig verteilte Werte bis zum Messbereichsanfang in den Zellen darüber.

Es ist auch möglich, Feinmassen auszurechnen um die Masse für einen Druckwert oder umgekehrt zu berechnen. Es können auch die Massennummern eingegeben werden.

Für das Korrigieren der Messwerte werden die gemessenen Umgebungsbedingungen und die Kolbentemperatur herangezogen. Die Kolbenposition dient zur Anzeige der Schwebeposition. Bei Absolutdruckgeräten muss zusätzlich der Vakuum-Restdruck angegeben werden. Über die Geräte der CPU6000-Serie können diese automatisch eingelesen werden.



14097659.04 03/2016 EN/DE/IT

7. Remote-Befehlssatz

7. Remote-Befehlssatz

Dieser Remote-Befehlssatz gilt für alle Geräte der CPU6000-Serie. Die CPU6000-Fernbedienungsbefehle sind in der unten angegebenen Liste aufgeführt. Alle Befehle müssen mit einem <CR> (Carriage Return) und einem anschließenden <LF> (Linefeed) abgeschlossen werden.

Für einen Abfragebefehl (endet mit einem ?) zeigt die Spalte „Daten“ die Antwort der CPU6000. Alle Antwortfolgen werden mit einem <CR> und einem <LF> abgeschlossen. Für alle Befehle ohne Fragezeichen, zeigt die Spalte „Daten“ die notwendigen Parameter an, die nach dem String in der Befehlsspalte an die CPU6000 gesendet werden müssen.

Befehl	Antwort	Beschreibung
CPU6000		
Allgemeine Abfrage		
ID?	WIKA,CPU6000-X-HH. SS,AAA	ID String, WIKA, CPU6000 X = Typ der Box HH = Hardwareversion SS = Softwareversion AAA = Serial-No
MC?	CPU6000-W, CPU6000-M oder CPU6000-S	Modelcode der jeweiligen CPU6000
SN?	1100GRYZ	Seriennummer des Gerätes
CPU6000-W		
Werte auslesen		
HU?	+1.2345E+01	Relative Luftfeuchte in [% rel.]
TE?	+1.2345E+01	Temperatur in °C
Justagekoeffizienten		
KA	+1.2345E+01	Umgebungstemperatur-Koeffizient 0 (Koeff[0])
KB	+1.2345E+01	Umgebungstemperatur-Koeffizient 1 (Koeff[1])
KC	+1.2345E+01	Umgebungstemperatur-Koeffizient 2 (Koeff[2])
KD	+1.2345E+01	Umgebungstemperatur-Koeffizient 3 (Koeff[3])
KE	+1.2345E+01	Umgebungstemperatur-Koeffizient 4 (Koeff[4])
KF	+1.2345E+01	Umgebungsfeuchte-Koeffizient 0 (Koeff[5])
KG	+1.2345E+01	Umgebungsfeuchte-Koeffizient 1 (Koeff[6])

6. Inbetriebnahme, Betrieb

DE

Befehl	Antwort	Beschreibung
KH	+1.2345E+01	Umgebungsfeuchte-Koeffizient 2 (Koeff[7])
KI	+1.2345E+01	Umgebungsfeuchte-Koeffizient 3 (Koeff[8])
KJ	+1.2345E+01	Umgebungsfeuchte-Koeffizient 4 (Koeff[9])
KK	+1.2345E+01	Umgebungsdruck-Koeffizient 0 (Koeff[10])
KL	+1.2345E+01	Umgebungsdruck-Koeffizient 1 (Koeff[11])
KM	+1.2345E+01	Umgebungsdruck-Koeffizient 2 (Koeff[12])
KN	+1.2345E+01	Umgebungsdruck-Koeffizient 3 (Koeff[13])
KO	+1.2345E+01	Umgebungsdruck-Koeffizient 4 (Koeff[14])
Werte auslesen, CPU6000-W-W		
PD?	+1.2345E+01	Druck in [bar] abs. vom barometrischen Sensor mit Genauigkeit 0,05 % vom Endwert
AD?	+1.2345E+01	Messbereichsanfang vom barometrischen Sensor mit Genauigkeit 0,05 % vom Endwert
ED?	+1.2345E+01	Messbereichsende vom barometrischen Sensor mit Genauigkeit 0,05 % vom Endwert
TD?	+1.2345E+01	Temperatur vom barometrischen Sensor mit Genauigkeit 0,05 % vom Endwert
Werte auslesen, CPU6000-W-M		
PM?	+1.2345E+01	Druck in [bar] abs. vom barometrischen Sensor mit Genauigkeit 0,01 % vom Messwert
AM?	+1.2345E+01	Messbereichsanfang vom barometrischen Sensor mit Genauigkeit 0,01 % vom Messwert
EM?	+1.2345E+01	Messbereichsende vom barometrischen Sensor mit Genauigkeit 0,01 % vom Messwert
CPU6000-S		
Werte auslesen		
FP?	+1.2345E+01	Schwebeposition des extern angeschlossenen Schwebepositionssensor in [mm]
PT?	+1.2345E+01	Kolbentemperatur vom extern angeschlossenen Pt100 in [°C]
Justagekoeffizienten		
KP	+1.2345E+01	Kolbentemperatur-Koeffizient 0 (Koeff[15])
KQ	+1.2345E+01	Kolbentemperatur-Koeffizient 1 (Koeff[16])

14097659.04 03/2016 EN/DE/IT

7. Remote-Befehlsatz

DE

Befehl	Antwort	Beschreibung
KR	+1.2345E+01	Kolbentemperatur-Koeffizient 2 (Koeff[17])
KS	+1.2345E+01	Kolbentemperatur-Koeffizient 3 (Koeff[18])
KT	+1.2345E+01	Kolbentemperatur-Koeffizient 4 (Koeff[19])
KU	+1.2345E+01	Kolbenabstand-Koeffizient 0 (Koeff[20])
KV	+1.2345E+01	Kolbenabstand-Koeffizient 1 (Koeff[21])
KW	+1.2345E+01	Kolbenabstand-Koeffizient 2 (Koeff[22])
KX	+1.2345E+01	Kolbenabstand-Koeffizient 3 (Koeff[23])
KY	+1.2345E+01	Kolbenabstand-Koeffizient 4 (Koeff[24])

Justagekoeffizienten der Schwebepositionssensor

CK	+1.2345E+01	Messbereichsanfang des Schwebepositionssensor in [mm] (Standardwert 20 mm), entspricht dem elektrischen Messbereichsanfang des Sensors von 4 [mA]
CL	+1.2345E+01	Messbereichsende des Schwebepositionssensor in [mm] (Standardwert 200 mm), entspricht dem elektrischen Messbereichsende des Sensors von 20 [mA]

CPU6000-M

Werte auslesen

IR?	+1.2345E+01	Eingangsstrom, Rohwert in [mA]
IK?	+1.2345E+01	Eingangsstrom, kalibrierter Wert in [mA]
UR?	+1.2345E+01	Eingangsspannung, Rohwert in [V]
UK?	+1.2345E+01	Eingangsspannung, kalibrierter Wert in [V]
MV?	+1.2345E+01	Hardware Version, elektrische Messplatine

Justagekoeffizienten

MM	x (x = 1: Spannung; x = 2: Strom)	Spannungs- oder Stromeingang der elektrischen Platine
MO	x (x = 0: AUS; x = 1: EIN)	24 Volt Ausgang der elektrischen Platine
CA	+1.2345E+01	Multimeter-Spannung-Koeffizient 0 (Koeff[0])
CB	+1.2345E+01	Multimeter-Spannung-Koeffizient 1 (Koeff[1])
CC	+1.2345E+01	Multimeter-Spannung-Koeffizient 2 (Koeff[2])
CD	+1.2345E+01	Multimeter-Spannung-Koeffizient 3 (Koeff[3])

14097659.04 03/2016 EN/DE/IT

7. Remote-Befehlssatz / 8. Wartung, Reinigung und ...

Befehl	Antwort	Beschreibung
CE	+1.2345E+01	Multimeter-Spannung-Koeffizient 4 (Koeff[4])
CF	+1.2345E+01	Multimeter-Strom-Koeffizient 0 (Koeff[5])
CG	+1.2345E+01	Multimeter-Strom-Koeffizient 1 (Koeff[6])
CH	+1.2345E+01	Multimeter-Strom-Koeffizient 2 (Koeff[7])
CI	+1.2345E+01	Multimeter-Strom-Koeffizient 3 (Koeff[8])
CJ	+1.2345E+01	Multimeter-Strom-Koeffizient 4 (Koeff[9])

DE

8. Wartung, Reinigung und Rekalibrierung

8.1 Wartung

Die CalibratorUnit Typ CPU6000 ist wartungsfrei.

Reparaturen sind ausschließlich vom Hersteller durchzuführen.

8.2 Reinigung



VORSICHT!

- Vor der Reinigung die CalibratorUnit ordnungsgemäß von der Druckversorgung trennen, ausschalten und vom Netz trennen.
- Das Gerät mit einem feuchten Tuch reinigen.
- Elektrische Anschlüsse nicht mit Feuchtigkeit in Berührung bringen.
- Messstoffreste am Prüfling und/oder den Sensoren der CalibratorUnit können zur Gefährdung von Personen, Umwelt und Einrichtung führen. Ausreichende Vorsichtsmaßnahmen ergreifen.



Hinweise zur Rücksendung des Gerätes siehe Kapitel 10.2 „Rücksendung“.

8.3 Rekalibrierung

DKD/DAkKS-Schein - amtliche Bescheinigungen:

Es wird empfohlen, das Gerät in regelmäßigen Zeitabständen von ca. 12 Monaten durch den Hersteller rekalibrieren zu lassen. Die Grundeinstellungen werden wenn notwendig korrigiert.

9. Störungen

9. Störungen

DE

Störungen	Ursachen	Maßnahmen
Wirre Zeichen, Gerät reagiert nicht auf Tastendruck	Systemfehler	Gerät ausschalten, kurz warten, wieder einschalten
	Gerät defekt	Zur Reparatur einschicken
Funktionsstörungen während der Bedienung.	Systemfehler	Das System ausschalten und nach 5 Sekunden wieder einschalten.
Fehler beim Auslesen der Messwerte.	Es ist kein Sensor angesteckt	Gerät ausschalten und Sensor anstecken
	Angesteckter Sensor oder Gerät ist defekt	Mit evtl. vorhandenem 2. Sensor das Gerät überprüfen. Defekten Sensor bzw. defektes Gerät zur Reparatur einschicken.
	Messbereich weit über- oder unterschritten	Prüfen: liegt Druck in zulässigen Messbereich des Sensors?
- - -	Sensor nicht vorhanden / erkannt	Abgesteckten Sensor wieder anstecken, bei laufender Aufzeichnung Logger stoppen und erneut starten
	Anzeigewert nicht berechenbar	Passende Sensorkombination anstecken
	Unterbrechung des internen Referenzfühlers oder der interne Referenzfühler ist defekt.	Das Gerät an den Hersteller bzw. Servicepartner zur Reparatur einschicken.
Messwerte schwanken sehr stark	Funktionsstörungen während der Bedienung	Gerät ausschalten und nach 5 Sekunden wieder einschalten.
Der Prüfling (eingelassen via mA- bzw. V-Messeingänge) reagiert nicht.	Prüfling falsch angeschlossen	Verkabelung überprüfen
	Prüfling ohne Eigenversorgung.	Die 24-V-Prüflingsspannungsversorgung aktivieren.
Der Prüfling (eingelassen via der mA- bzw. V-Messeingänge) zeigt einen falschen Wert.	Falscher Messbereich des Prüflings eingegeben	Messbereich des Prüflings korrekt eingeben.

14097659.04 03/2016 EN/DE/IT



VORSICHT!

Können Störungen mit Hilfe der oben aufgeführten Maßnahmen nicht beseitigt werden, ist die CalibratorUnit unverzüglich außer Betrieb zu setzen, sicherzustellen, dass kein Druck mehr anliegt und gegen versehentliche Inbetriebnahme zu schützen.

In diesem Falle Kontakt mit dem Hersteller aufnehmen.

Bei notwendiger Rücksendung die Hinweise unter Kapitel 10.2 „Rücksendung“ beachten.

DE

10. Demontage, Rücksendung und Entsorgung



WARNUNG!

Messstoffreste am Prüfling und/oder den Sensoren der CalibratorUnit können zur Gefährdung von Personen, Umwelt und Einrichtung führen. Ausreichende Vorsichtsmaßnahmen ergreifen.

10.1 Demontage

Prüf- und Kalibrierbauten nur im drucklosen Zustand demontieren!

10.2 Rücksendung



WARNUNG!

Beim Versand des Gerätes unbedingt beachten:

Alle an WIKA gelieferten Geräte müssen frei von Gefahrstoffen (Säuren, Laugen, Lösungen, etc.) sein.

Zur Rücksendung des Gerätes die Originalverpackung oder eine geeignete Transportverpackung verwenden.

Um Schäden zu vermeiden:

1. Das Gerät in eine antistatische Plastikfolie einhüllen.
2. Das Gerät mit dem Dämmmaterial in der Verpackung platzieren. Zu allen Seiten der Transportverpackung gleichmäßig dämmen.
3. Wenn möglich einen Beutel mit Trocknungsmittel der Verpackung beifügen.
4. Sendung als Transport eines hochempfindlichen Messgerätes kennzeichnen.

10. Demontage, Rücksendung und Entsorgung



Hinweise zur Rücksendung befinden sich in der Rubrik „Service“ auf unserer lokalen Internetseite.

DE

10.3 Entsorgung

Durch falsche Entsorgung können Gefahren für die Umwelt entstehen.

Gerätekomponenten und Verpackungsmaterialien entsprechend den landesspezifischen Abfallbehandlungs- und Entsorgungsvorschriften umweltgerecht entsorgen.



Bei Geräten mit dieser Kennzeichnung wird darauf hingewiesen, dass diese nicht in den Hausmüll entsorgt werden dürfen. Die Entsorgung erfolgt durch Rücknahme bzw. durch entsprechende kommunale Stellen (siehe EU-Richtlinie 2012/19/EU).

11. Zubehör

Kalibrierung

- Kalibrierzertifikat 3.1 nach DIN EN 10204 (Standard)
- DKD/DAkS-Kalibrierzertifikat (Option)

DE

Für CPU6000-S

- Kolbentemperatursensor mit 1 m (3,3 ft) Kabel (Standard)
- Kolbentemperatursensor mit 2,5 m (8,2 ft) Kabel
- Kolbentemperatursensor mit 1 m (3,3 ft) Kabel zum Einbau
- Kolbentemperatursensor mit 2,5 m (8,2 ft) Kabel zum Einbau
- Schwebepositionssensor mit 1 m (3,3 ft) Kabel, Genauigkeit $\pm 0,5$ mm (Standard)
- Schwebepositionssensor mit 2,5 m (8,2 ft) Kabel, Genauigkeit $\pm 0,5$ mm
- Schwebepositionssensor mit 1 m (3,3 ft) Kabel, Genauigkeit $\pm 0,5$ mm zum Einbau
- Schwebepositionssensor mit 2,5 m (8,2 ft) Kabel, Genauigkeit $\pm 0,5$ mm zum Einbau
- Wandhalterung

Für CPU6000-W

- Temperatur-Feuchte-Sensor
- WIKA-Sensor:
550 ... 1.150 mbar abs. (7,85 ... 16,68 psi abs.), Genauigkeit 0,05 % FS (Standard)
- Mensor-Sensor:
551 ... 1.172 mbar abs. (8 ... 17 psi abs.), Genauigkeit 0,01 % vom Messwert
- Wandhalterung

Für CPU6000-M

- Prüfkabelset bestehend aus 4 Prüfkabeln mit jeweils einer Krokodilklemme und Bananensteckeradapter in schwarz und rot
- Wandhalterung

Spannungsversorgung

- Steckernetzteil DC 24 V, 625 mA

Kommunikation

- USB-Schnittstellenkabel

Transportkoffer

- Servicekoffer



EG-Konformitätserklärung

EC Declaration of Conformity

Dokument Nr.:

14104769.01

Document No.:

14104769.01

Wir erklären in alleiniger Verantwortung, dass die mit CE gekennzeichneten Produkte

We declare under our sole responsibility that the CE marked products

Typ:

CPU6000-W, -S, -M

Model:

CPU6000-W, -S, -M

Beschreibung:

CalibratorUnit

Funkanlage (Klasse 1) mit eingebauten Bluetooth-Modul connectBlue cB-OLS425

Description:

CalibratorUnit

Radio Equipment (Class 1) with built-in Bluetooth module connectBlue cB-OLS425

gemäß gültigem Datenblatt:

CT 35.02

according to the valid data sheet:

CT 35.02

die grundlegenden Schutzanforderungen der folgenden Richtlinie(n) erfüllen:

1999/5/EG

are in conformity with the essential protection requirements of the directive(s)

1999/5/EC

Gesundheit und Sicherheit (Artikel 3 (1) a))

EN 60950:2006 + A11:2009 + A1:2010 + A12:2011
EN 62479:2010

protection of health and safety (Article 3 (1) (a))

EN 60950:2006 + A11:2009 + A1:2010 + A12:2011
EN 62479:2010

elektromagnetische Verträglichkeit (Artikel 3 (1) b))

EN 61326-1:2013
EN 301 489-1 V1.9.2
EN 301 489-17 V2.1.1

electromagnetic compatibility (Article 3 (1) b))

EN 61326-1:2013
EN 301 489-1 V1.9.2
EN 301 489-17 V2.1.1

effiziente Nutzung Frequenzspektrum (Artikel 3 (2))

EN 300 328 V1.7.1

effective use of spectrum (Article 3 (2))

EN 300 328 V1.7.1

Unterschiedet für und im Namen von / Signed for and on behalf of

WIKAL Alexander Wiegand SE & Co. KG

Klingenberg, 2014-07-21

Geschäftsbereich / Company division: PI-CT

Qualitätsmanagement / Quality management: PI-CT


Alfred Häfner


Harald Hart

Unterschrift, autorisiert durch das Unternehmen / Signature authorized by the company

WIKAL Alexander Wiegand SE & Co. KG
Alexander-Wiegand-Strasse 30
63911 Klingenberg
Germany

Tel. +49 9372 132-0
Fax +49 9372 132-406
E-Mail info@wika.de
www.wika.de

Kommanditgesellschaft: Sitz Klingenberg –
Amtsgericht Aschaffenburg HRA 1819
Komplementärin: WIKAL Verwaltung SE & Co. KG –
Sitz Klingenberg – Amtsgericht Aschaffenburg
HRA 4605

Komplementärin:
WIKAL International SE - Sitz Klingenberg -
Amtsgericht Aschaffenburg HRB 10505
Vorstand: Alexander Wiegand
Vorsitzender des Aufsichtsrats: Dr. Max Egli



DE

14097659.04 03/2016 EN/DE/IT

Contenuti

1. Informazioni generali	89
2. Sicurezza	91
2.1 Destinazione d'uso	91
2.2 Qualifica del personale	92
2.3 Pericoli specifici.	92
2.4 Istruzioni di sicurezza per l'alimentatore	93
2.5 Etichettatura, simboli per la sicurezza	94
2.5.1 Etichette prodotto	94
2.5.2 Legenda dei simboli.	95
3. Specifiche tecniche	96
3.1 Specifiche tecniche del CalibratorUnit serie CPU6000	96
3.2 Dimensioni in mm / in	99
3.2.1 Stazione meteorologica, modello CPU6000-W.	99
3.2.2 Modulo sensori bilancia di pressione, modello CPU6000-S	100
3.2.3 Multimetro digitale, modello CPU6000-M	101
3.3 Assegnazione pin	102
3.3.1 Stazione meteorologica, modello CPU6000-W.	102
3.3.2 Modulo sensori bilancia di pressione modello CPU6000-S o multimetro digitale modello CPU6000-M	103
3.4 Dimensioni con montaggio a parete in mm / in	104
3.4.1 Stazione meteorologica, modello CPU6000-W o multimetro digitale, modello CPU6000-M	104
3.4.2 Vista isometrica	104
3.4.3 Modulo sensori bilancia di pressione, modello CPU6000-S	105
3.4.4 Vista isometrica	105
4. Esecuzione e funzioni	106
4.1 Descrizione	106
4.2 Scopo di fornitura	106
4.3 Stazione meteorologica, modello CPU6000-W	107
4.4 Modulo sensori bilancia di pressione, modello CPU6000-S	108
4.5 Multimetro digitale, modello CPU6000-M	109
4.6 Collegamento del sensore al modulo sensori bilancia di pressione modello CPU6000-S.	110
4.6.1 Sensore della temperatura del pistone, versione incorporata	110
4.6.2 Sensore della posizione di galleggiamento, versione incorporata	110
4.6.3 Versione a cavo - Standard - Sensore della temperatura del pistone	111
4.6.4 Versione a cavo - Standard - Sensore della posizione di galleggiamento	111

4.7 Attacco del trasmettitore di pressione al multimetro digitale modello CPU6000-M.	111
5. Trasporto, imballo e stoccaggio	112
5.1 Trasporto	112
5.2 Imballo.	112
5.3 Stoccaggio	112
6. Messa in servizio, funzionamento	113
6.1 Collegamento della CPU6000	113
6.2 Impostazione dei modelli CPU6000	114
6.2.1 Impostazione del modello CPU6000-W	114
6.2.2 Impostazione del modello CPU6000-S	115
6.2.3 Impostazione del modello CPU6000-M	117
6.3 Calcolo delle masse	118
7. Set di comandi remoti	119
8. Manutenzione, pulizia e taratura	122
8.1 Manutenzione	122
8.2 Pulizia	122
8.3 Ricertificazione	123
9. Malfunzionamenti e guasti	123
10. Smontaggio, resi e smaltimento	124
10.1 Smontaggio	124
10.2 Resi	124
10.3 Smaltimento	125
11. Accessori	126
Appendice: Dichiarazione di conformità CE	127

La dichiarazione di conformità è disponibile online sul sito www.wika.it.

1. Informazioni generali

1. Informazioni generali

- I CalibratorUnit modello CPU6000 descritti nel presente manuale d'uso sono stati progettati e costruiti secondo lo stato dell'arte della tecnica. Tutti i componenti sono sottoposti a severi controlli di qualità e ambientali durante la produzione. I nostri sistemi di qualità sono certificati ISO 9001 e ISO 14001.
- Questo manuale d'uso contiene importanti informazioni sull'uso dello strumento. Lavorare in sicurezza implica il rispetto delle istruzioni di sicurezza e di funzionamento.
- Osservare le normative locali in tema di prevenzione incidenti e le regole di sicurezza generali per il campo d'impiego dello strumento.
- Il manuale d'uso è parte dello strumento e deve essere conservato nelle immediate vicinanze dello stesso e facilmente accessibile in ogni momento al personale qualificato. Trasferire le istruzioni d'uso e manutenzione all'operatore o al possessore successivo.
- Il manuale d'uso deve essere letto con attenzione e compreso dal personale qualificato prima dell'inizio di qualsiasi attività.
- Si applicano le nostre condizioni generali di vendita, allegate alla conferma d'ordine.
- Soggetto a modifiche tecniche.
- Ulteriori informazioni:
 - Indirizzo Internet: www.wika.it
 - Scheda tecnica prodotto: CT 35.02
 - Consulenze tecniche ed applicative: Tel.: +39 02 93861-1
Fax: +39 02 93861-74
calibrazione.it@wika.com

IT

1. Informazioni generali

Legenda dei simboli



ATTENZIONE!

... indica una situazione di potenziale pericolo che, se non evitata, può causare ferite gravi o morte.



CAUTELA!

... indica una situazione di potenziale pericolo che, se non evitata, può causare ferite lievi o danni alle apparecchiature o all'ambiente.



PERICOLO!

... identifica pericoli causati dalla alimentazione elettrica. Se non vengono osservate le istruzioni relative alla sicurezza, c'è il rischio che possano verificarsi lesioni gravi o morte.



Informazione

... fornisce suggerimenti utili e raccomandazioni per l'utilizzo efficiente e senza problemi dello strumento.

Abbreviazioni

2 fili	I due conduttori vengono utilizzati per l'alimentazione di tensione. Il segnale di misura fornisce anche la corrente di alimentazione.
3 fili	I due conduttori vengono utilizzati per l'alimentazione di tensione. Un conduttore è utilizzato per il segnale di misura.
UB	Terminale positivo di alimentazione
S+	Terminale uscita positivo

2. Sicurezza



ATTENZIONE!

Prima dell'installazione, della messa in servizio e del funzionamento, assicurarsi che sia stato selezionato il CalibratorUnit corretto per quanto riguarda il campo di misura, l'esecuzione e le condizioni specifiche della misura.

La non osservanza può condurre a ferite gravi o danni alle apparecchiature.

IT



Altre importanti norme di sicurezza sono riportate nei singoli capitoli di questo manuale d'uso.

2.1 Destinazione d'uso

La serie CPU6000 è composta da tre strumenti: la stazione meteorologica CPU6000-W, il modulo per la bilancia di pressione modello CPU6000-S e il multimetro digitale modello CPU6000-M. Tutti questi strumenti servono ad acquisire i dati del valore misurato, rilevanti per i certificati di taratura. Il nuovo concetto di calibrazione semplifica la preparazione dei rapporti di prova e incrementa la produttività e qualità del processo di generazione del rapporto di prova.

Lo strumento è stato progettato e costruito esclusivamente per la sua destinazione d'uso e può essere impiegato solo per questa.

Le specifiche tecniche riportate in questo manuale d'uso devono essere rispettate. L'uso improprio dello strumento al di fuori delle specifiche tecniche richiede che lo strumento venga messo immediatamente fuori servizio e che venga ispezionato da un tecnico WIKA autorizzato.

Maneggiare gli strumenti di misura elettronici di precisione con la dovuta cautela (proteggerli da umidità, impatti, forti campi magnetici, elettricità statica e temperature estreme, non inserire alcun oggetto nello strumento o nelle sue aperture). Connettori e prese devono essere protette dalle contaminazioni.

Se lo strumento viene spostato da un ambiente freddo a uno caldo, la formazione di condensa può portare a un malfunzionamento dello strumento. Prima di mettere in funzione lo strumento, attendere che la temperatura dello strumento e quella dell'ambiente si equalizzino.

Il costruttore non è responsabile per reclami di qualsiasi natura in caso di utilizzo dello strumento al di fuori della sua destinazione d'uso.

2.2 Qualifica del personale



ATTENZIONE!

Rischio di ferite in caso di personale non qualificato!

L'uso improprio può condurre a lesioni gravi o danni alle apparecchiature. Le attività riportate in questo manuale d'uso possono essere effettuate solo da personale in possesso delle qualifiche riportate di seguito.

Eventuali condizioni operative speciali richiedono inoltre conoscenze specifiche, es. fluidi aggressivi.

Personale qualificato per la parte elettrica

Per personale qualificato per le parti elettriche si intende personale che, sulla base dei corsi di formazione tecnica, delle proprie conoscenze tecniche di strumentazione e controllo e delle normative nazionali e sulla base della propria esperienza, è in grado di portare a termine il lavoro sulle parti elettriche e riconoscere autonomamente potenziali pericoli.

Il personale qualificato per la parte elettrica deve essere formato in modo specifico per l'ambiente di lavoro e conoscere i relativi regolamenti e standard nazionali.

Il personale qualificato per la parte elettrica deve rispondere ai regolamenti nazionali in termini di prevenzione degli incidenti sul lavoro.

2.3 Pericoli specifici



ATTENZIONE!

Per fluidi pericolosi quali ossigeno, acetilene, gas infiammabili o tossici e impianti di refrigerazione, compressori, ecc., in aggiunta alle normative standard, devono inoltre essere rispettate le normative specifiche appropriate.

I residui dei fluidi di processo sull'oggetto in prova e/o sui sensori del CalibratorUnit possono causare rischi alle persone, all'ambiente e all'attrezzatura. Prendere le opportune misure precauzionali.

2.4 Istruzioni di sicurezza per l'alimentatore



PERICOLO!

Pericolo di morte causato da corrente elettrica

In caso di contatto con le parti in tensione, c'è un pericolo diretto di morte.

- Il funzionamento con un alimentatore difettoso (es. in cortocircuito dalla rete verso l'uscita) può causare tensioni pericolose allo strumento!
- Se la custodia o i collegamenti elettrici riportano danni visibili, non utilizzare l'alimentatore!
- Non installare né conservare l'alimentatore nei luoghi descritti di seguito, in quanto potrebbe verificarsi un guasto durante il funzionamento:
 - luoghi sottoposti a molta umidità o condensa
 - luoghi sottoposti a influenze ambientali particolari
 - luoghi sottoposti a una vibrazione costante
 - luoghi sottoposti a forti oscillazioni di temperatura
 - ambienti esterni
- Durante temporali o lunghi periodi di inattività, sconnettere l'alimentatore dall'alimentazione di rete.
- Non scollegare l'alimentatore dalla rete tirando il cavo.
- L'alimentatore è esente da manutenzione. Non deve essere aperto (pericolo di scosse elettriche).
- Non è consentito apportare modifiche all'alimentatore (cessazione della garanzia).
- L'alimentatore può essere riparato esclusivamente da personale qualificato autorizzato.
- Prima di pulirlo, disconnetterlo dall'alimentazione di rete. A tale scopo, non utilizzare detergenti chimici. Utilizzare soltanto un panno asciutto.
- Smaltire l'alimentatore in modo corretto (rifiuti di apparecchiature elettriche ed elettroniche secondo le normative locali).

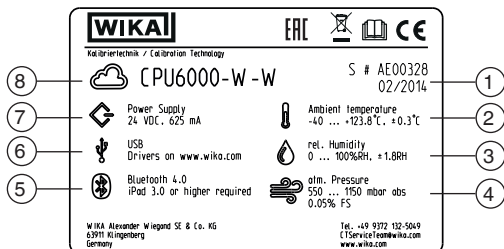
L'alimentatore deve essere utilizzato soltanto a una temperatura ambiente di 0 ... 40 °C (32 ... 104 °F) (umidità: fino al 90 % di umidità relativa, non condensante).

2. Sicurezza

2.5 Etichettatura, simboli per la sicurezza

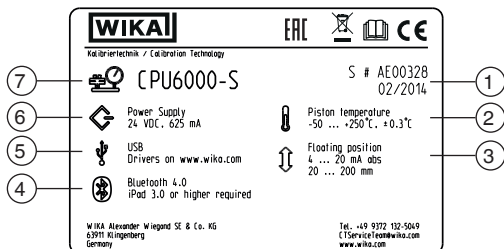
2.5.1 Etichette prodotto

Stazione meteorologica, modello CPU6000-W



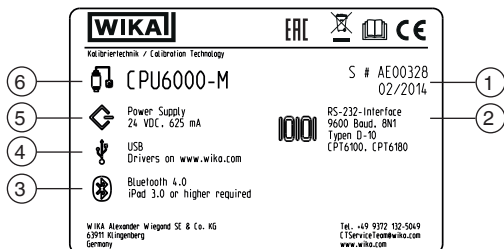
- ① Numero di serie e data di produzione
- ② Temperatura ambiente
- ③ Umidità relativa
- ④ Pressione atmosferica
- ⑤ Antenna WIKAL-Wireless
- ⑥ Connettore interfaccia
- ⑦ Alimentazione
- ⑧ Modello

Modulo sensori bilancia di pressione, modello CPU6000-S



- ① Numero di serie e data di produzione
- ② Temperatura ambiente
- ③ Umidità relativa
- ④ Pressione atmosferica
- ⑤ Connettore interfaccia
- ⑥ Alimentazione
- ⑦ Modello

Multimetro digitale, modello CPU6000-M



- ① Numero di serie e data di produzione
- ② Interfaccia
- ③ Antenna WIKAL-Wireless
- ④ Connettore interfaccia
- ⑤ Alimentazione
- ⑥ Modello

IT

2. Sicurezza

2.5.2 Legenda dei simboli



Prima di montare e installare lo strumento, assicurarsi di avere letto attentamente il manuale d'uso!



CE, Communauté Européenne

Gli strumenti riportanti questo marchio sono in accordo con le relative Direttive Europee.

IT



Questo marchio sugli strumenti indica che essi non devono essere smaltiti insieme ai normali rifiuti domestici. Lo smaltimento deve essere effettuato inviando lo strumento direttamente al costruttore o tramite le autorità municipali locali (vedere la direttiva EU 2012/19/EU).






3. Specifiche tecniche

3. Specifiche tecniche

3.1 Specifiche tecniche del CalibratorUnit serie CPU6000



IT Stazione meteorologica, modello CPU6000-W

Simbolo	Descrizione	Campo di misura	Accuratezza
	Temperatura ambiente	-40 ... +123,8 °C (-40 ... +254.84 °F)	±0,5 °C (0.9 °F) ¹⁾
	Umidità relativa	0 ... 100 % u. r.	±5,0 % u. r. ²⁾
	Pressione atmosferica	550 ... 1.150 mbar ass. (7,85 ... 16,68 psi ass.) (opt. 551 ... 1.172 mbar ass.) (8 ... 17 psi ass.)	0,05 % FS (opz. 0,01 % della lettura)

1) La taratura viene eseguita per i punti 18 °C (64.4 °F), 23 °C (73.4 °F) e 25 °C (77 °F) con un tempo di riscaldamento di 120 minuti

2) La taratura viene eseguita per i punti 30 % u. r., 50 % u. r. e 80 % u. r. con un tempo di riscaldamento di 120 minuti.



Modulo sensori bilancia di pressione, modello CPU6000-S

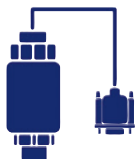
Simbolo	Descrizione	Campo di misura	Accuratezza
	Temperatura del pistone	-50 ... +250 °C (-58 ... +482 °F)	±0,1 °C a 20 °C (±0.18 °F a 68 °F) ¹⁾
	Posizione di galleggiamento delle masse	4 ... 20 mA 20 ... 200 mm (0.79 ... 7.87 in)	±0,5 mm (±0.02 in)

1) La taratura viene eseguita per i punti 18 °C (64.4 °F), 23 °C (73.4 °F) e 25 °C (77 °F) con un tempo di riscaldamento di 120 minuti

3. Specifiche tecniche



Si consiglia di installare il modulo sensori per le bilance di pressione delle serie CPB5000, CPB5000HP e CPB5800.



IT

Multimetro digitale, modello CPU6000-M		
Simbolo	Descrizione	
+ mA -	Ingresso in corrente	Campo di misura 0 ... 20 mA Accuratezza $\pm 1,6 \mu\text{A}$
+ V -	Ingresso tensione	Campo di misura 0 ... 10 V Accuratezza $\pm 0,5 \text{ mV}$
+ Out -	Tensione di alimentazione	24 Vcc (carico: max. 50 mA; min. 20 mA)
10101	Interfaccia	Modello D-10 Modelli CPT6100 e CPT6180 Interfaccia RS-232, 9600 Baud, 8N1



Strumento di base	Modello CPU6000-W	Modello CPU6000-S	Modello CPU6000-M
Tensione di alimentazione			
Alimentazione	24 Vcc, 625 mA		
Condizioni ambientali ammissibili			
Temperatura operativa	15 ... 45 °C (59 ... 113 °F)		
Temperatura di stoccaggio	0 ... 70 °C (32 ... 158 °F)		
Comunicazione			
Interfaccia	USB con PC/laptop, WIKA-Wireless 4.0 con iPad® 3.0 o successivi		
WIKA-Wireless			
Intervallo di frequenza	2,402 ... 2,480 GHz		
Alimentazione di uscita HF	max. 2 dBm (+ 2 dBi)		

3. Specifiche tecniche

Strumento di base	Modello CPU6000-W	Modello CPU6000-S	Modello CPU6000-M
Custodia			
Dimensioni (L x A x P)	190,4 x 58 x 110 mm (7,50 x 2,28 x 4,33 in)	190,4 x 58 x 80 mm (7,50 x 2,28 x 3,15 in)	190,4 x 58 x 110 mm (7,50 x 2,28 x 4,33 in)
Peso	1,44 kg (3,18 lbs)	1,18 kg (2,60 lbs)	1,29 kg (2,84 lbs)

IT

Approvals

Logo	Descrizione	Paese
	Dichiarazione conformità CE <ul style="list-style-type: none"> ■ Direttiva EMC 2004/108/CE 2004/108/EC, EN 61326-1 Emissioni (gruppo 1, classe B) e immunità alle interferenze (“ambiente di base”: applicazioni commerciali, laboratori, centri di assistenza o officine) ■ Direttiva R&TTE 1999/5/EC EN 300 228, viene utilizzato l'intervallo di frequenza armonizzato 2.400 ... 2.500 MHz; Lo strumento può essere utilizzato senza limitazioni all'interno dell'UE e anche in CH, N e FL. 	Comunità europea
	EAC <ul style="list-style-type: none"> ■ Compatibilità elettromagnetica ■ Direttiva bassa tensione 	Comunità economica eurasiatica

Certificati

Certificato	
Taratura	Standard: rapporto di prova 3.1 secondo DIN EN 10204 Opzione: certificato di taratura DKD/DakKS
Ciclo di ricertificazione raccomandato	1 anno (a seconda delle condizioni d'uso)

Per le omologazioni e i certificati, consultare il sito internet

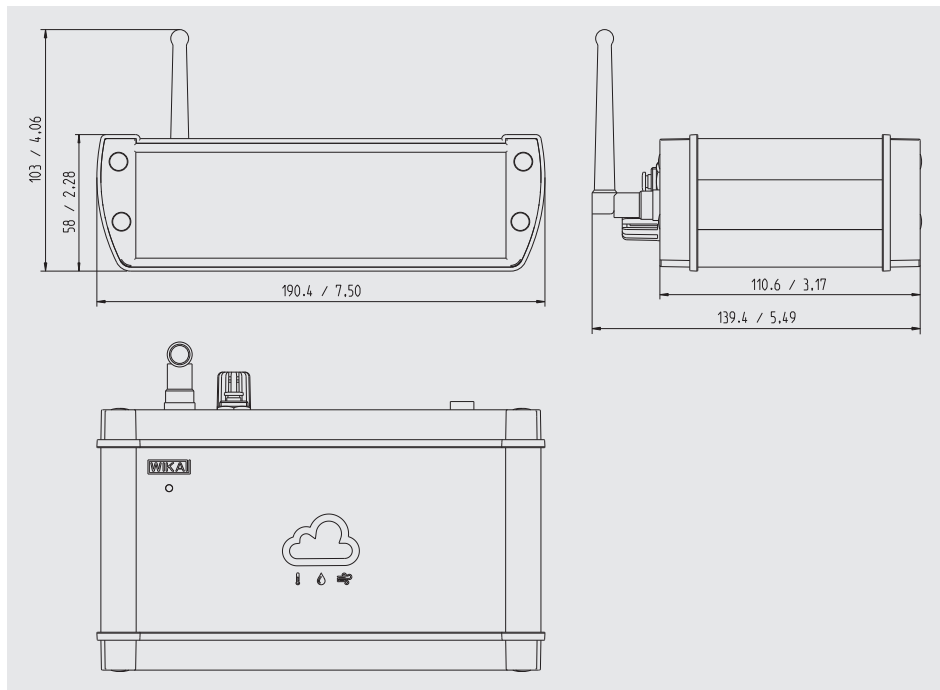
Per ulteriori informazioni tecniche, fare riferimento alla Scheda Tecnica WIKA CT 35.02 e ai documenti d'ordine.

14097659.04 03/2016 EN/DE/IT

3. Specifiche tecniche

3.2 Dimensioni in mm / in

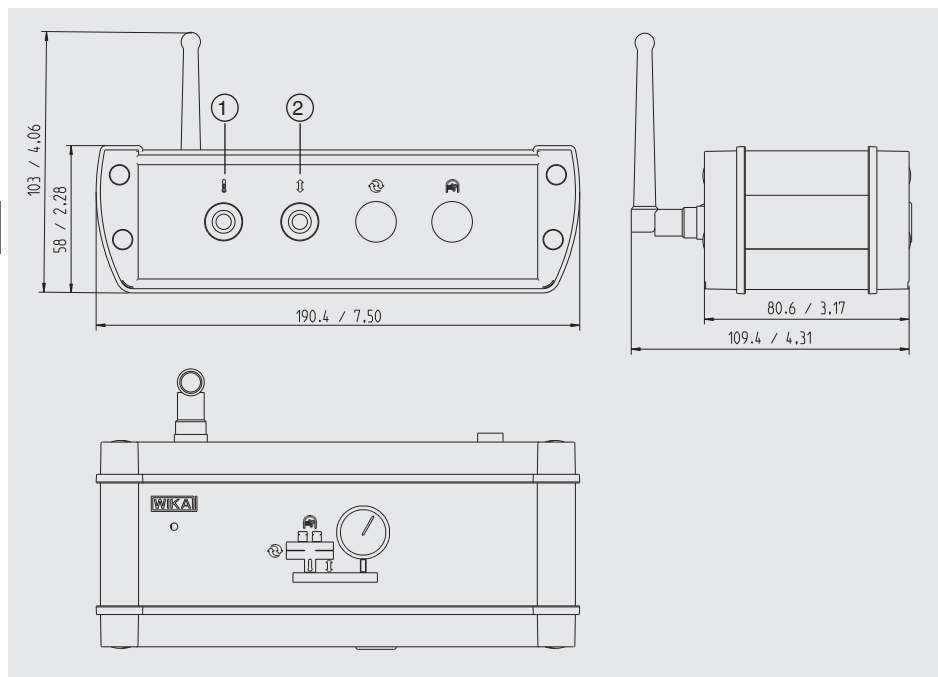
3.2.1 Stazione meteorologica, modello CPU6000-W



IT

3. Specifiche tecniche

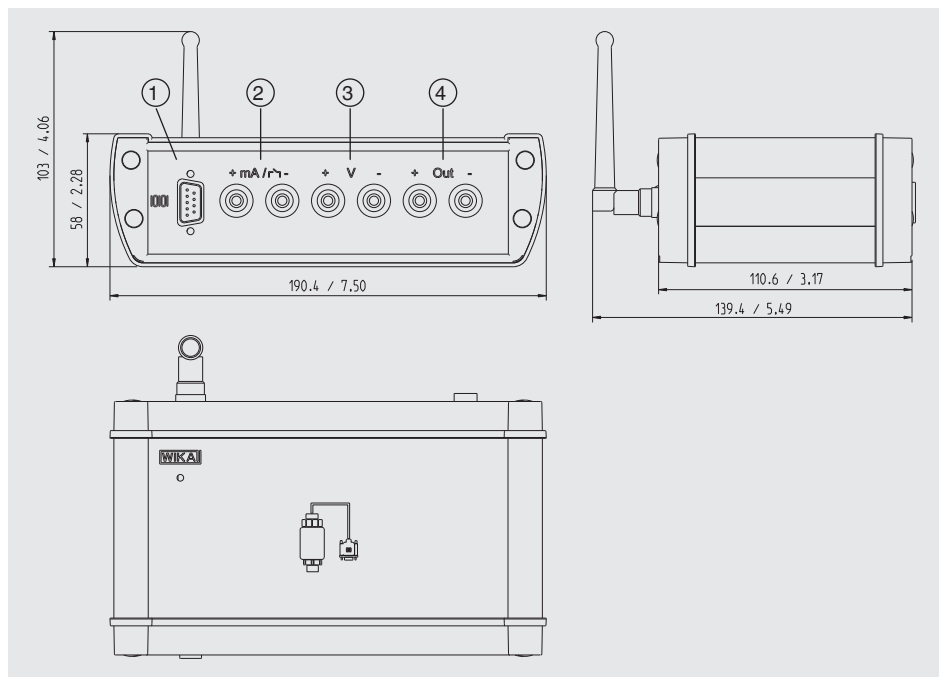
3.2.2 Modulo sensori bilancia di pressione, modello CPU6000-S



- ① Connettore del sensore di temperatura del pistone
- ② Connettore del sensore di posizione di galleggiamento

3. Specifiche tecniche

3.2.3 Multimetro digitale, modello CPU6000-M



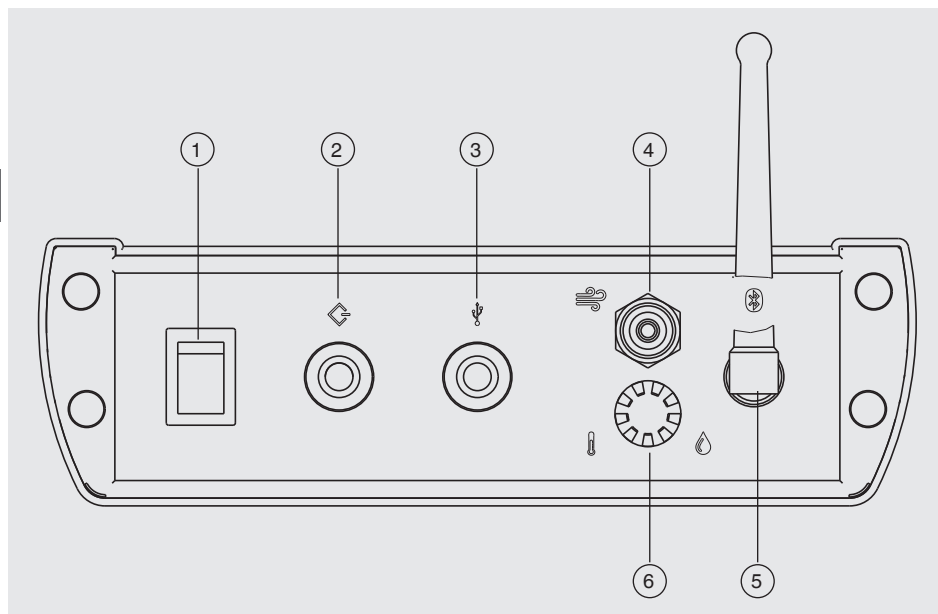
IT

- ① Interfaccia RS-232
- ② Ingresso in corrente
- ③ Ingresso tensione
- ④ Alimentazione per strumento in prova

3. Specifiche tecniche

3.3 Assegnazione pin

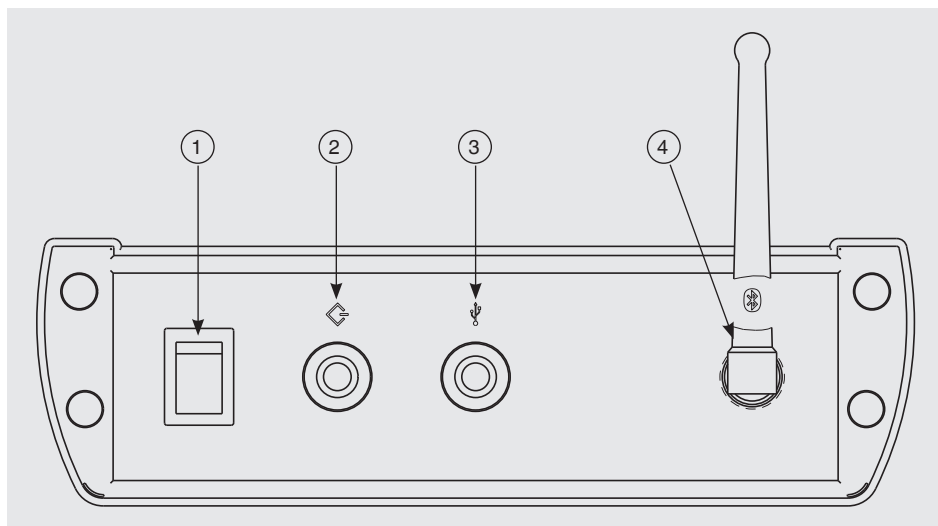
3.3.1 Stazione meteorologica, modello CPU6000-W



- ① Interruttore ON/OFF
- ② Connessione alimentazione 24 Vcc
- ③ Interfaccia USB
- ④ Connessione tubo 4 mm per riferimento barometrico interno
- ⑤ Antenna WIKA-Wireless 4.0
- ⑥ Sensore di temperatura-umidità

3. Specifiche tecniche

3.3.2 Modulo sensori bilancia di pressione modello CPU6000-S o multimetro digitale modello CPU6000-M



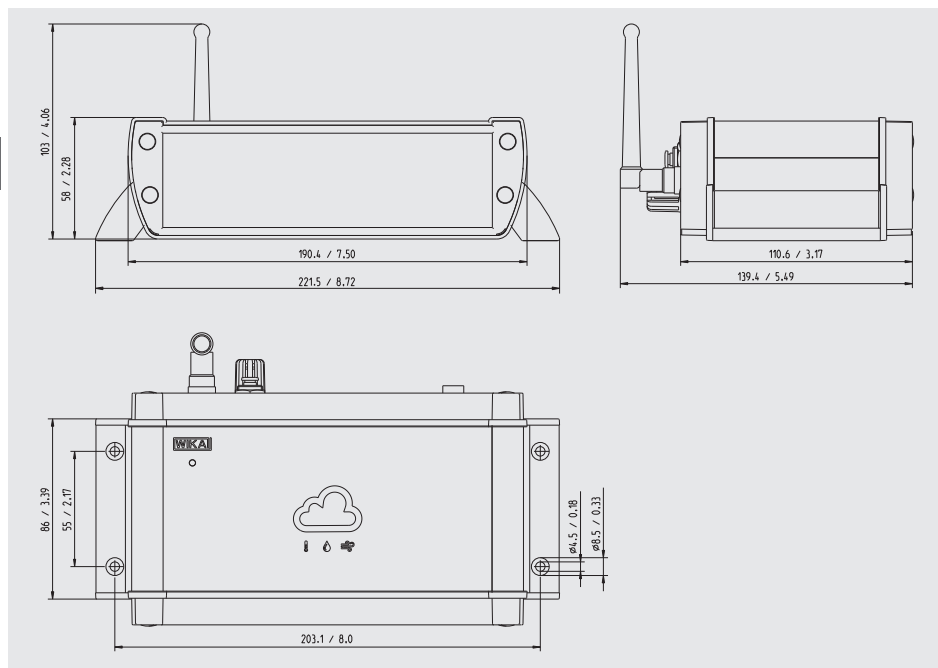
IT

- ① Interruttore ON/OFF
- ② Connessione alimentazione 24 Vcc
- ③ Interfaccia USB
- ④ Antenna WIKA-Wireless 4.0

3. Specifiche tecniche

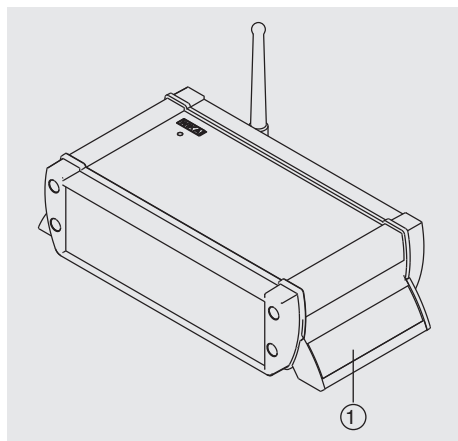
3.4 Dimensioni con montaggio a parete in mm / in

3.4.1 Stazione meteorologica, modello CPU6000-W o multimetro digitale, modello CPU6000-M



IT

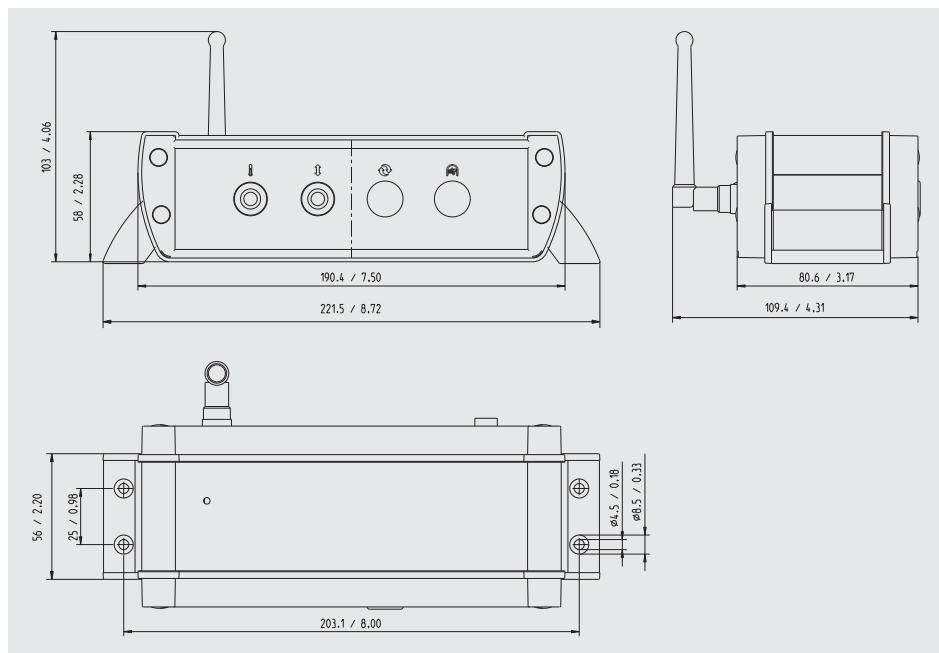
3.4.2 Vista isometrica



- ① Foro della vite coperto da strisce decorative

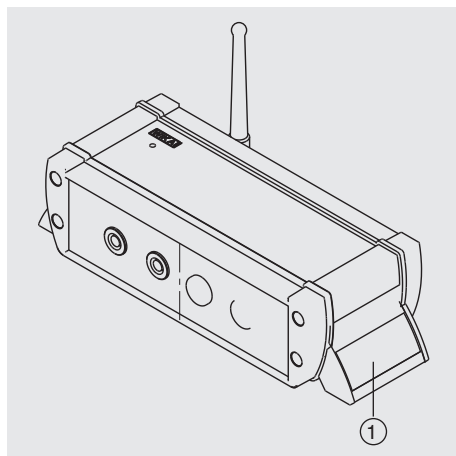
3. Specifiche tecniche

3.4.3 Modulo sensori bilancia di pressione, modello CPU6000-S



IT

3.4.4 Vista isometrica



- ① Foro della vite coperto da strisce decorative

4. Esecuzione e funzioni

4.1 Descrizione

Le serie CPU6000 è composta da tre strumenti:

- Stazione meteorologica, modello CPU6000-W
- Modulo sensori bilancia di pressione, modello CPU6000-S
- Multimetro digitale, modello CPU6000-M

Tutti i prodotti sono utilizzati per la registrazione del valore misurato di dati rilevanti per i certificati di taratura.

Questo concetto di calibrazione semplifica la preparazione dei certificati e incrementa la produttività e la qualità del relativo processo di creazione.

In combinazione con qualsiasi bilancia di pressione, il CPB-CAL (iPad® app) e/o WIKA-CAL (software PC) possono determinare il carico delle masse necessarie o la pressione di riferimento. Grazie alla semplicità dei settaggi e di funzionamento, il calcolo del carico delle masse o della pressione risulta più facile. Il CalibratorUnit tiene in considerazione tutti i fattori d'influenza critici migliorando l'accuratezza della misurazione. E' anche possibile effettuare la taratura di strumenti di misura di pressione relativa con strumenti di riferimento di pressione assoluta, e viceversa. Tramite la tensione di alimentazione integrata e la funzione multimetro, possono essere svolte agevolmente tarature di trasmettitori di pressione.

La stazione meteorologica e il multimetro digitale possono essere anch'essi usati, indipendentemente dall'utilizzo con una bilancia di pressione, con altri strumenti di calibrazione nonché con il software WIKA-CAL. Possono essere pertanto migliorati sistemi di prova automatici già esistenti. Tramite la tensione di alimentazione integrata e la funzione multimetro, possono essere svolte agevolmente tarature di trasmettitori di pressione.

4.2 Scopo di fornitura

- Modello CPU6000-W, modello CPU6000-S o modello CPU6000-M
- Adattatore CA, 24 Vcc, 625 mA
- Rapporto di prova di fabbrica
- Manuale d'uso in lingua italiana e inglese

Controllare lo scopo di fornitura con il documento di consegna / trasporto.

4. Esecuzione e funzioni

4.3 Stazione meteorologica, modello CPU6000-W

La CPU6000-W fornisce misure come la pressione atmosferica, l'umidità relativa e la temperatura ambiente del laboratorio. Il software WIKA-CAL documenta automaticamente, nel rispettivo rapporto di prova, i valori misurati e li salva in un database. Inoltre, con questo software o l'applicazione iPad® CPB-CAL, i valori misurati sono utilizzati in combinazione con le bilance di pressione per il calcolo del carico delle masse.



IT

Sistema di misura: bilancia di pressione modello CPB5800, stazione meteorologica modello CPU6000-W, modulo sensori bilancia di pressione modello CPU6000-S e PC/laptop

4. Esecuzione e funzioni

4.4 Modulo sensori bilancia di pressione, modello CPU6000-S

La CPU6000-S misura la temperatura del pistone e visualizza la posizione di galleggiamento delle masse. Il sensore è integrato direttamente nella bilancia di pressione e serve ad ottenere il massimo dell'incertezza con una singola bilancia di pressione.

IT



Sistema di misura: bilancia di pressione modello CPB5800, stazione metereologica modello CPU6000-W, modulo sensori bilancia di pressione modello CPU6000-S e PC/laptop

4. Esecuzione e funzioni

4.5 Multimetro digitale, modello CPU6000-M

Il CPU6000-M assume la funzione di multimetro digitale e unità di alimentazione quando devono essere tarati dei trasmettitori di pressione elettronici. Il CPU6000-M alimenta gli strumenti in prova con 24 Vcc e misura i segnali in corrente e tensione. Inoltre, i sensori di pressione digitali come il modello CPT61X0 e il modello D-10 possono essere connessi direttamente tramite l'interfaccia RS-232.

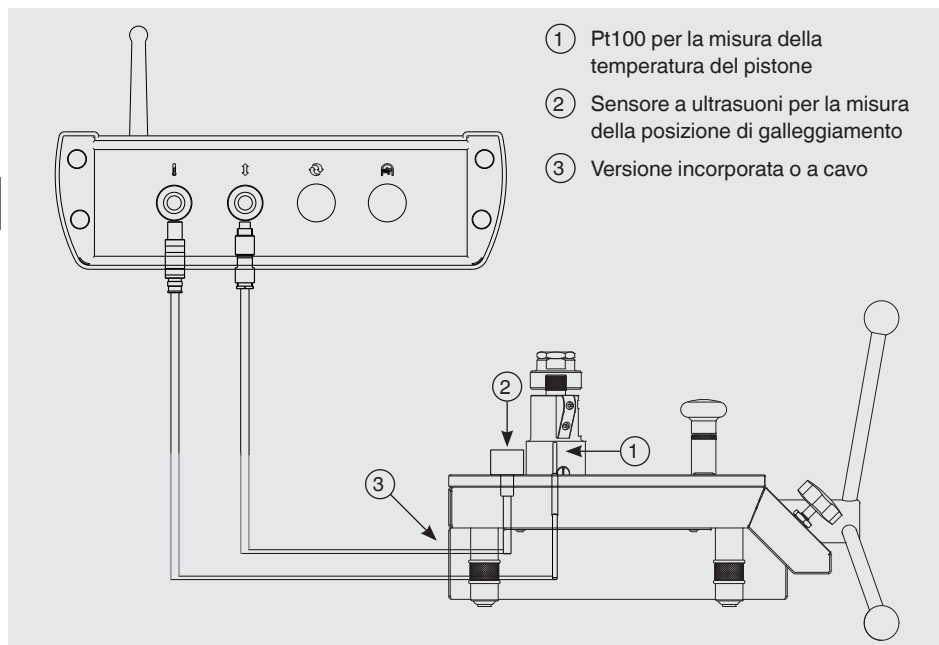


IT

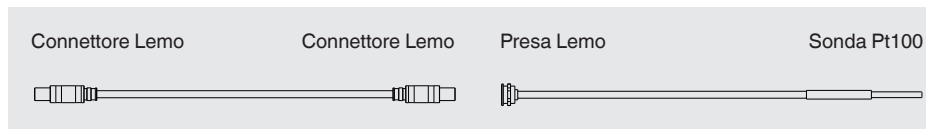
Sistema di misura: controllore di pressione pneumatico ad alta velocità modello CPC3000, multimetro digitale modello CPU6000-M e PC/laptop

4. Esecuzione e funzioni

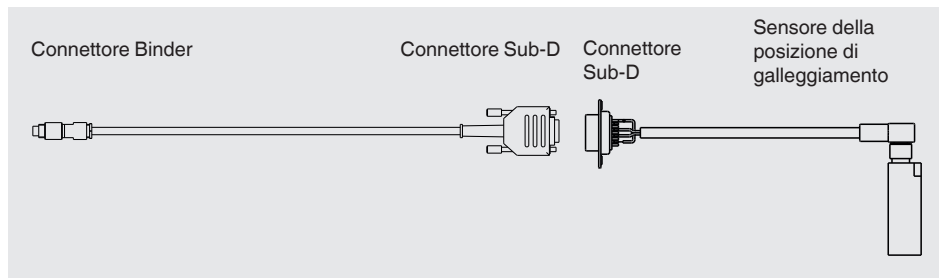
4.6 Collegamento del sensore al modulo sensori bilancia di pressione modello CPU6000-S



4.6.1 Sensore della temperatura del pistone, versione incorporata



4.6.2 Sensore della posizione di galleggiamento, versione incorporata

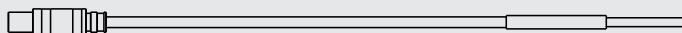


4. Esecuzione e funzioni

4.6.3 Versione a cavo - Standard - Sensore della temperatura del pistone

Connettore Lemo

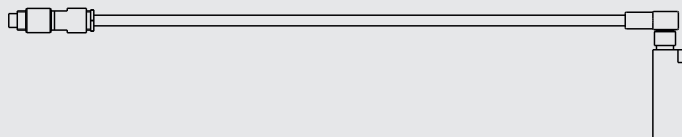
Sonda Pt100



4.6.4 Versione a cavo - Standard - Sensore della posizione di galleggiamento

Connettore Binder

Sensore della posizione di galleggiamento



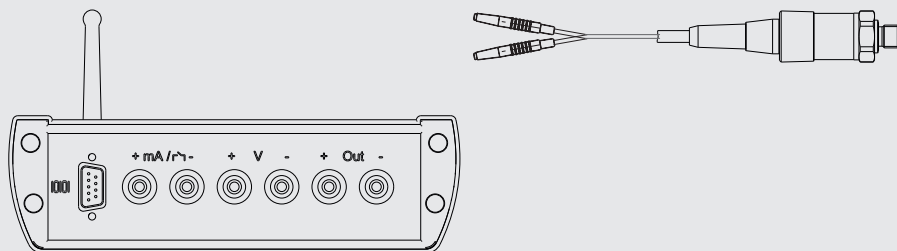
IT

4.7 Attacco del trasmettitore di pressione al multimetro digitale modello CPU6000-M

Oggetto in prova	Alimentazione propria	mA max. 24 mA		V max. 12 Vcc		24 Vcc Uscita	
		+	-	+	-	+	-
2 fili (mA)	no	sig-				sig+	
2 fili (mA)	sì	sig+	sig-				
3 fili (mA)	no	sig+				U _B +	U _B -
3 fili (V)	no			sig+		U _B +	U _B -

Non è necessario alcun ponte elettrico esterno!

L'assegnazione dei morsetti per i diversi trasmettitori di pressione è indicata sul fondo dello strumento CPU6000-M.



5. Trasporto, imballo e stoccaggio

5. Trasporto, imballo e stoccaggio

5.1 Trasporto

Controllare che il CalibratorUnit modello CPU6000 non sia stato danneggiato durante il trasporto. Danni evidenti devono essere segnalati tempestivamente.

5.2 Imballo

IT Rimuovere l'imballo solo appena prima dell'installazione.

Conservare l'imballo per proteggere lo strumento durante trasporti successivi (per es. variazione del sito di installazione, invio in riparazione, ecc.).

5.3 Stoccaggio

Condizioni consentite per lo stoccaggio:

Per la serie CPU6000 e l'alimentatore

- Temperatura di stoccaggio: 0 ... 70 °C (32 ... 104 °F)
- Umidità: 35 ... 85 % umidità relativa (senza condensazione)

Evitare l'esposizione ai seguenti fattori:

- Esposizione diretta al sole o in prossimità di oggetti molto caldi
- Vibrazioni e shock meccanici
- Fuliggine, vapori, polvere e gas corrosivi
- Ambienti potenzialmente esplosivi, atmosfere infiammabili
- Fluidi corrosivi

Conservare il CalibratorUnit modello CPU6000 nel suo imballo originale in un luogo rispondente alle condizioni riportate sopra. Se l'imballo originale non è disponibile, imballare e conservare lo strumento come indicato di seguito:

1. Avvolgere lo strumento con una pellicola antistatica.
2. Riporre lo strumento nella scatola con materiale assorbente gli urti.
3. Se la conservazione deve essere effettuata per un lungo periodo (più di 30 giorni), includere una bustina di gel antiumidità all'interno dell'imballo.



ATTENZIONE!

Prima di conservare lo strumento e i relativi sensori (dopo l'utilizzo), rimuovere qualsiasi fluido residuo. Questo è particolarmente importante nel caso il fluido sia pericoloso per la salute, es. caustico, tossico, cancerogeno, radioattivo, ecc.

6. Messa in servizio, funzionamento

6. Messa in servizio, funzionamento

6.1 Collegamento della CPU6000



ATTENZIONE!

- Montare e collegare gli strumenti esclusivamente quando sono spenti!
- Utilizzare l'adattatore CA di WIKA fornito in dotazione con lo strumento!
- Non collegare cavi elettrici la cui lunghezza supera i 3 metri!

Prima della messa in servizio, collegare tutti gli strumenti che devono essere misurati. Grazie alle diverse combinazioni di connettori maschio/femmina, è possibile escludere un collegamento errato dei componenti.



In caso di collegamento di un trasmettitore di pressione elettronico, accertarsi che la polarità sia corretta.

Le assegnazioni pin corrette sono riportate nei disegni tecnici (vedere capitolo 3 "Specifiche tecniche").

Se nello strumento è incluso il montaggio a parete, la CPU6000 può essere montata, per esempio, su un muro o sotto a un tavolo. La posizione è irrilevante sia per le misurazioni sia per la comunicazione con PC/laptop o iPad®.

6. Messa in servizio, funzionamento

6.2 Impostazione dei modelli CPU6000

6.2.1 Impostazione del modello CPU6000-W

1. Collegare la CPU6000-W al PC/laptop utilizzando il cavo USB fornito.
2. Scaricare il driver direttamente dal sito internet e installarlo.

http://www.wika.it/cpu6000_w_cpu6000_s_cpu6000_m_it_it.WIKA

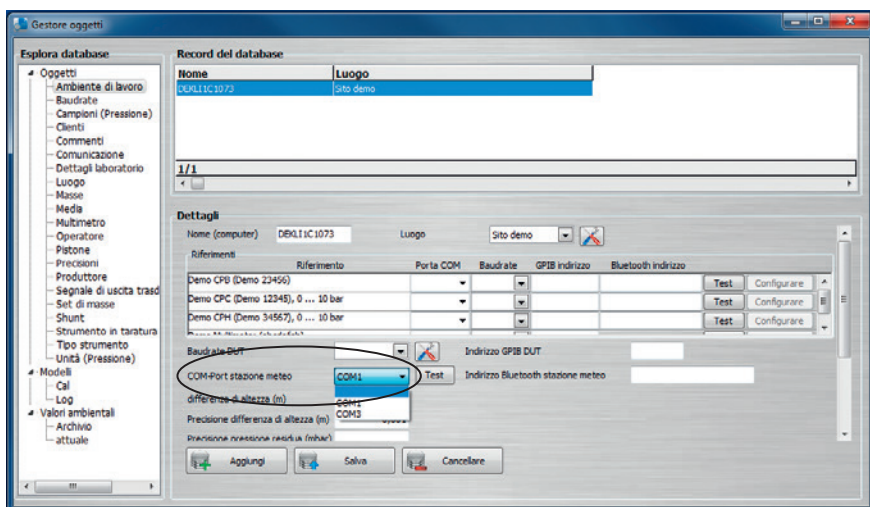
→ Software → Driver di interfaccia

IT

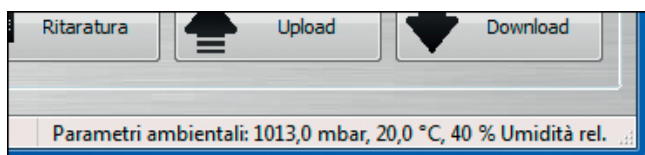


Il driver è stato installato correttamente se nella Gestione Periferiche di Windows, spegnendo e accendendo la CPU, viene visualizzata una porta COM sotto “**Collegamenti**”.

3. In WIKA-CAL, in “**Gestore oggetti**” sotto “**Ambiente di lavoro**”, selezionare la nuova porta COM sotto “**COM port stazione meteo**” e salvare i dati.



Il software richiede un nuovo valore dal CPU 6000-W ogni 10 secondi e ogni 30 secondi salva il valore attuale sotto “**Valori ambientali**” in “**Gestore oggetti**”. Le condizioni ambientali vengono aggiornate anche nella schermata del documento e a destra in basso nella barra di stato.



6. Messa in servizio, funzionamento

6.2.2 Impostazione del modello CPU6000-S

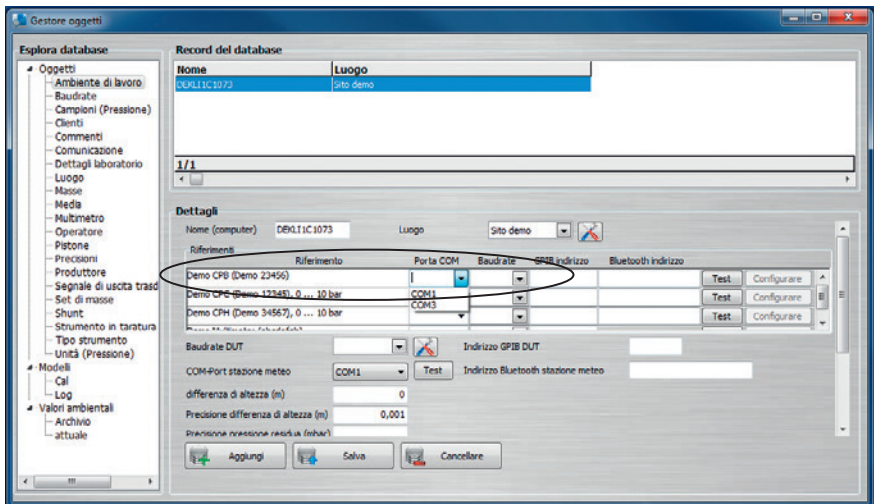
1. Collegare la CPU6000-S al PC/laptop utilizzando il cavo USB fornito.
2. Scaricare il driver direttamente dal sito internet e installarlo.
http://www.wika.it/cpu6000_w_cpu6000_s_cpu6000_m_it_it.WIKA
→ Software → Driver di interfaccia



Il driver è stato installato correttamente se nella Gestione Periferiche di Windows, spegnendo e accendendo la CPU, viene visualizzata una porta COM sotto “**Collegamenti**”.

IT

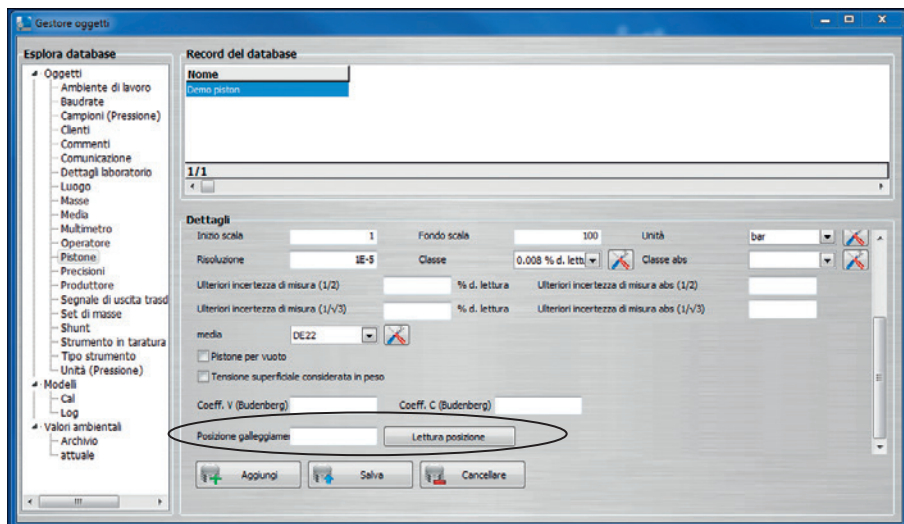
3. In WIKA-CAL, in “**Gestore oggetti**” sotto “**Ambiente di lavoro**”, selezionare la nuova porta COM sotto il “**Porta COM**” della bilancia di pressione definita e salvare i dati. Prima è necessario creare la bilancia di pressione e assegnarla alla stazione di lavoro (vedere il manuale di istruzioni WIKA-CAL, capitolo 6.3.18 “Campioni (pressione)”).
4. Impostare il baud rate 9600 e verificare la comunicazione premendo il tasto [Test]. La comunicazione funziona correttamente se viene visualizzato un valore realistico.



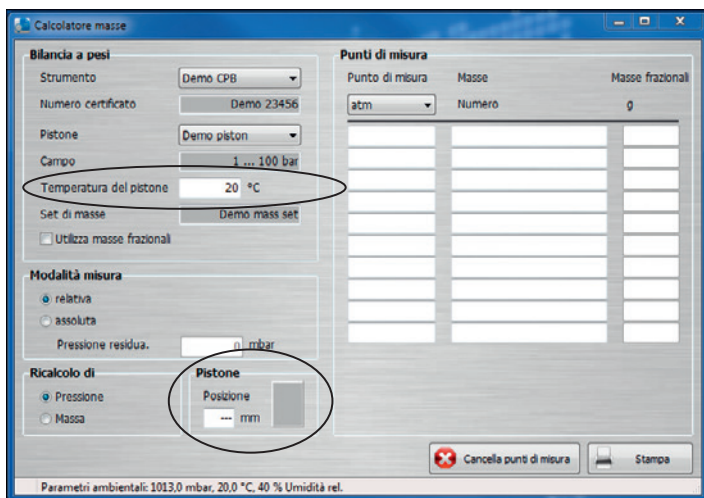
5. In “**Gestore oggetti**” sotto “**Pistone**” deve essere specificata la “**Posizione galleggiamento**” per il rispettivo pistone della bilancia di pressione. Questo valore può essere immesso manualmente in [mm] o letto attraverso il tasto [Lettura posizione]. Per applicare le impostazioni, è necessario poi salvare i dati premendo [Salva].

6. Messa in servizio, funzionamento

IT



6. In seguito a un collegamento riuscito, nello strumento per il calcolo delle masse possono essere lette la temperatura del pistone e la posizione di galleggiamento. Il calcolo delle masse si adatta automaticamente alla nuova temperatura del pistone.



14097659.04 03/2016 EN/DE/IT

6. Messa in servizio, funzionamento

6.2.3 Impostazione del modello CPU6000-M

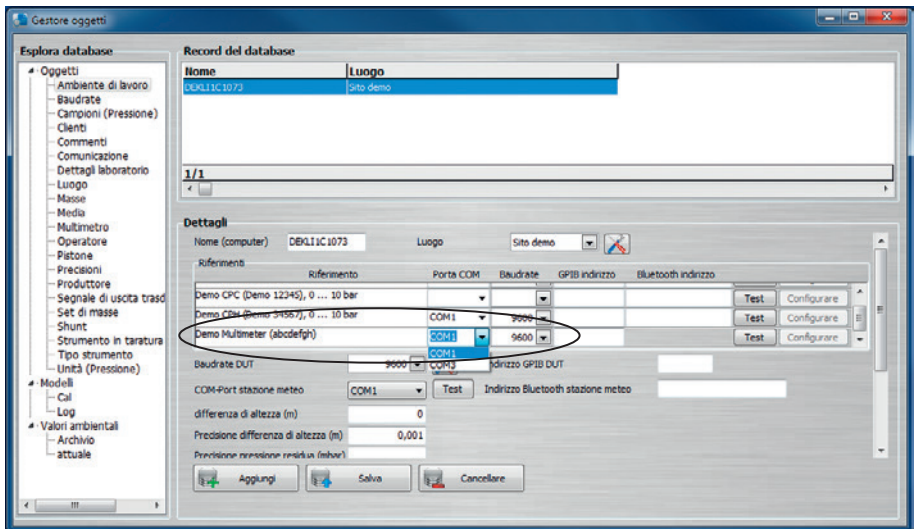
1. Collegare la CPU6000-M al PC/laptop utilizzando il cavo USB fornito.
2. Scaricare il driver direttamente dal sito internet e installarlo.
http://www.wika.it/cpu6000_w_cpu6000_s_cpu6000_m_it_it.WIKA
→ Software → Driver di interfaccia



Il driver è stato installato correttamente se nella Gestione Periferiche di Windows, spegnendo e accendendo la CPU, viene visualizzata una porta COM sotto “**Collegamenti**”.

IT

3. In WIKA-CAL, in “**Gestore oggetti**” sotto “**Ambiente di lavoro**”, selezionare la nuova porta COM sotto il “**Porta COM**” della CPU6000-M (multimetro) definito e salvare i dati. Prima è necessario creare il multimetro e assegnarlo alla stazione di lavoro (vedere il manuale di istruzioni WIKA-CAL, capitolo 6.3.17 “Multimetro”).
4. Impostare il baud rate 9600 e verificare la comunicazione premendo il tasto [Test]. La comunicazione funziona correttamente se viene visualizzato un valore realistico.



6. Messa in servizio, funzionamento

6.3 Calcolo delle masse

Strumento per il calcolo delle masse

Lo strumento è utilizzato per le bilance di pressione, per convertire le masse in pressione e viceversa. Innanzitutto, è necessario scegliere uno strumento (bilancia di pressione) e il relativo pistone. Il set di masse è selezionato di conseguenza. I dati della bilancia di pressione devono essere stati precedentemente registrati nel gestore oggetti o importati tramite un file XML (vedere il manuale di istruzioni WIKA-CAL capitolo 6.3.18 “Campioni (pressione)” e 3.2.1.1 “Importazione, salvataggio database, ripristino database, uscita”).

IT

Se viene immesso un valore di pressione nella colonna a sinistra e viene premuto Enter, le celle soprastanti vengono compilate con valori distribuiti uniformemente. Ad esempio, se nella cella in basso a sinistra si immette il valore di fondo scala -> le celle soprastanti vengono compilate con valori distribuiti uniformemente fino all'inizio del campo di misura. È anche possibile calcolare masse frazionali per il calcolo delle masse per un valore di pressione, o viceversa. Inoltre, possono essere immessi numeri di massa.

Per la correzione dei valori misurati, si fa riferimento alle condizioni ambientali misurate e alla temperatura del pistone. La posizione del pistone è utilizzata per visualizzare la posizione di galleggiamento. Inoltre, per gli strumenti di misura di pressione assoluta, è necessario specificare anche la pressione residua del vuoto. Tramite la serie CPU6000 questo può essere letto direttamente.

Punto di misura	Masse	Masse frazionali
atm	Numero	g

7. Set di comandi remoti

7. Set di comandi remoti

Il presente set di comandi remoti vale per tutti gli strumenti della serie CPU6000. I comandi a controllo remoto del CPU6000 sono riportati nella lista in basso. Tutti i comandi devono terminare con un <CR> (Carriage Return) e un successivo <LF> (Linefeed).

Per un comando di richiesta (che termina con un ?) la colonna “Data” visualizza la risposta del CPU6000. Tutte le sequenze di risposta terminano con un <CR> e un <LF>. Per tutti i comandi senza punto interrogativo, la colonna “Data” visualizza i parametri necessari che devono essere inviati alla CPU6000 dopo la stringa nella colonna dei comandi.

IT

Comando	Risposta	Descrizione
CPU6000		
Query generiche		
ID?	WIKA,CPU6000-X-HH. SS,AAA	Stringa ID, WIKA, CPU6000 X = modello del modulo HH = versione hardware SS = versione software AAA = numero di serie
MC?	CPU6000-W, CPU6000-M o CPU6000-S	Codice modello del rispettivo CPU6000
SN?	1100GRYZ	Numero di serie dello strumento
CPU6000-W		
Lecture		
HU?	+1.2345E+01	Umidità relativa in [% rel.]
TE?	+1.2345E+01	Temperatura in °C
Coefficienti di correzione		
KA	+1.2345E+01	Coefficiente temperatura ambiente 0 (Coeff[0])
KB	+1.2345E+01	Coefficiente temperatura ambiente 1 (Coeff[1])
KC	+1.2345E+01	Coefficiente temperatura ambiente 2 (Coeff[2])
KD	+1.2345E+01	Coefficiente temperatura ambiente 3 (Coeff[3])
KE	+1.2345E+01	Coefficiente temperatura ambiente 4 (Coeff[4])
KF	+1.2345E+01	Coefficiente umidità ambiente 0 (Coeff[5])
KG	+1.2345E+01	Coefficiente umidità ambiente 1 (Coeff[6])
KH	+1.2345E+01	Coefficiente umidità ambiente 2 (Coeff[7])

7. Set di comandi remoti

Comando	Risposta	Descrizione
KI	+1.2345E+01	Coefficiente umidità ambiente 3 (Coeff[8])
KJ	+1.2345E+01	Coefficiente umidità ambiente 4 (Coeff[9])
KK	+1.2345E+01	Coefficiente pressione ambiente 0 (Coeff[10])
KL	+1.2345E+01	Coefficiente pressione ambiente 1 (Coeff[11])
KM	+1.2345E+01	Coefficiente pressione ambiente 2 (Coeff[12])
KN	+1.2345E+01	Coefficiente pressione ambiente 3 (Coeff[13])
KO	+1.2345E+01	Coefficiente pressione ambiente 4 (Coeff[14])
Lecture, CPU6000-W-W		
PD?	+1.2345E+01	Pressione in [bar] ass. dal sensore barometrico con un'accuratezza di 0,05 % del valore di fondo scala
AD?	+1.2345E+01	Inizio del campo di misura in [bar] ass. dal sensore barometrico con un'accuratezza di 0,05 % del valore di fondo scala
ED?	+1.2345E+01	Fine del campo di misura in [bar] ass. dal sensore barometrico con un'accuratezza di 0,05 % del valore di fondo scala
TD?	+1.2345E+01	Temperatura dal sensore barometrico con un'accuratezza di 0,05 % del valore di fondo scala
Lecture, CPU6000-W-M		
PM?	+1.2345E+01	Pressione in [bar] ass. dal sensore barometrico con un'accuratezza di 0,01 % della lettura
AM?	+1.2345E+01	Inizio del campo di misura in [bar] ass. dal sensore barometrico con un'accuratezza di 0,01 % della lettura
EM?	+1.2345E+01	Fine del campo di misura in [bar] ass. dal sensore barometrico con un'accuratezza di 0,01 % della lettura
CPU6000-S		
Lecture		
FP?	+1.2345E+01	Posizione di galleggiamento del sensore di posizione collegato esternamente in [mm]
PT?	+1.2345E+01	Temperatura del pistone dalla Pt100 collegata esternamente in [°C]

IT

14097659.04 03/2016 EN/DE/IT

7. Set di comandi remoti

IT

Comando	Risposta	Descrizione
Coefficienti di correzione		
KP	+1.2345E+01	Coefficiente temperatura pistone 0 (Coeff[15])
KQ	+1.2345E+01	Coefficiente temperatura pistone 1 (Coeff[16])
KR	+1.2345E+01	Coefficiente temperatura pistone 2 (Coeff[17])
KS	+1.2345E+01	Coefficiente temperatura pistone 3 (Coeff[18])
KT	+1.2345E+01	Coefficiente temperatura pistone 4 (Coeff[19])
KU	+1.2345E+01	Coefficiente distanza pistone 0 (Coeff[20])
KV	+1.2345E+01	Coefficiente distanza pistone 1 (Coeff[21])
KW	+1.2345E+01	Coefficiente distanza pistone 2 (Coeff[22])
KX	+1.2345E+01	Coefficiente distanza pistone 3 (Coeff[23])
KY	+1.2345E+01	Coefficiente distanza pistone 4 (Coeff[24])
Regolazione sensore posizione di galleggiamento		
CK	+1.2345E+01	Inizio del campo di misura del sensore della posizione di galleggiamento in [mm] (valore standard 20 mm), corrisponde al valore elettrico iniziale del sensore di 4 [mA]
CL	+1.2345E+01	Fine del campo di misura del sensore della posizione di galleggiamento in [mm] (valore standard 200 mm), corrisponde al valore elettrico finale del sensore di 20 [mA]
CPU6000-M		
Lecture		
IR?	+1.2345E+01	Corrente in ingresso, valore grezzo [mA]
IK?	+1.2345E+01	Corrente in ingresso, valore tarato in [mA]
UR?	+1.2345E+01	Tensione in ingresso, valore grezzo in [V]
UK?	+1.2345E+01	Tensione in ingresso, valore tarato in [V]
MV?	+1.2345E+01	Versione hardware, scheda di misura elettrica
Coefficienti di correzione		
MM	x (x = 1: voltage; x = 2: current)	Tensione o corrente in ingresso della scheda elettrica
MO	x (x = 0: OFF; x = 1: ON)	24 Volt in uscita della scheda elettrica
CA	+1.2345E+01	Coefficiente tensione multimetro 0 (Coeff[0])
CB	+1.2345E+01	Coefficiente tensione multimetro 1 (Coeff[1])

7. Set di comandi remoti / 8. Manutenzione, pulizia e taratura

Comando	Risposta	Descrizione
CC	+1.2345E+01	Coefficiente tensione multimetro 2 (Coeff[2])
CD	+1.2345E+01	Coefficiente tensione multimetro 3 (Coeff[3])
CE	+1.2345E+01	Coefficiente tensione multimetro 4 (Coeff[4])
CF	+1.2345E+01	Coefficiente corrente multimetro 0 (Coeff[5])
CG	+1.2345E+01	Coefficiente corrente multimetro 1 (Coeff[6])
CH	+1.2345E+01	Coefficiente corrente multimetro 2 (Coeff[7])
CI	+1.2345E+01	Coefficiente corrente multimetro 3 (Coeff[8])
CJ	+1.2345E+01	Coefficiente corrente multimetro 4 (Coeff[9])

IT

8. Manutenzione, pulizia e taratura

8.1 Manutenzione

Il CalibratorUnit modello CPU6000 è esente da manutenzione.

Le riparazioni devono essere effettuate solo dal costruttore.

8.2 Pulizia



CAUTELA!

- Prima della pulizia, scollegare il CalibratorUnit dal processo, spegnerlo e scollegarlo dall'alimentazione.
- Pulire lo strumento con un panno umido.
- Le connessioni elettriche non devono venire in contatto con umidità.
- I residui dei fluidi di processo sull'oggetto in prova e/o sui sensori del CalibratorUnit possono causare rischi alle persone, all'ambiente e all'attrezzatura.
Prendere le opportune misure precauzionali.



Per informazioni sul reso dello strumento, fare riferimento al capitolo 10.2 "Resi".

8.3 Ricertificazione

Certificato DKD/DAkkS/ACCREDIA - certificati emessi da enti ufficiali:

Raccomandiamo una regolare taratura dello strumento da parte del produttore con intervalli di circa 12 mesi. Le impostazioni base saranno corrette se necessario.

9. Malfunzionamenti e guasti

IT

Malfunzionamenti e guasti	Cause	Rimedi
Caratteri non definibili; premendo un tasto, lo strumento non risponde	Errore di sistema	Spegnere lo strumento, attendere per qualche secondo, accenderlo nuovamente
	Strumento difettoso	Inviatelo per la riparazione
Disturbi di funzionamento.	Errore di sistema	Spegnere il sistema e riaccenderlo dopo 5 secondi.
Errore nella lettura dei valori misurati.	Il sensore non è collegato	Spegnere lo strumento e collegare il sensore
	Guasto del sensore o del dispositivo collegato	Se è disponibile un secondo sensore, verificare il corretto funzionamento dello strumento. Restituire lo strumento/il sensore difettoso al produttore per essere riparato.
	La lettura è ampiamente al di sopra o al di sotto del campo di misura	Controllare: la pressione è compresa entro il campo di misura ammesso dal sensore?
- - -	Sensore assente/non riconosciuto	Collegare nuovamente il sensore inserito; quando la registrazione è in corso, arrestare il logger e riavviarlo
	Il valore visualizzato non può essere calcolato	Collegare la combinazione di sensori adatta
	Interruzione o guasto del sensore di riferimento interno	Restituire lo strumento al produttore o al servizio di assistenza per essere riparato.
Forti oscillazioni dei valori misurati	Disturbi di funzionamento	Spegnere lo strumento e riaccenderlo dopo 5 secondi.

9. Malfunzionamenti e guasti / 10. Smontaggio, resi e ...

Malfunzionamenti e guasti	Cause	Rimedi
Lo strumento in prova (letto mediante l'ingresso di misura mA o V) non risponde.	Lo strumento in prova non è stato collegato correttamente	Controllare il cablaggio
	Lo strumento in prova è senza alimentazione	Attivare l'alimentazione 24 V dello strumento in prova
Lo strumento in prova (letto mediante l'ingresso di misura mA o V) visualizza un valore errato.	È stato immesso un campo di misura errato per lo strumento in prova.	Immettere il campo di misura corretto dello strumento in prova.

IT



CAUTELA!

Se i guasti non possono essere eliminati tramite le misure elencate sopra, spegnere subito il CalibratorUnit e assicurarsi che la pressione non sia più presente, assicurarsi quindi che lo strumento non torni in funzione inavvertitamente.

In questo caso, contattare il costruttore.

Se è necessario restituire lo strumento, seguire le istruzioni riportate nel capitolo 10.2 "Resi".

10. Smontaggio, resi e smaltimento



ATTENZIONE!

I residui dei fluidi di processo sull'oggetto in prova e/o sui sensori del CalibratorUnit possono causare rischi alle persone, all'ambiente e all'attrezzatura. Prendere le opportune misure precauzionali.

10.1 Smontaggio

Smontare lo strumento solo dopo aver tolto pressione al sistema!

10.2 Resi



ATTENZIONE!

Osservare attentamente le seguenti indicazioni per la spedizione dello strumento:

Tutti gli strumenti spediti a WIKA devono essere privi di qualsiasi tipo di sostanza pericolosa (acidi, basi, soluzioni, ecc.).

10. Smontaggio, resi e smaltimento

In caso di restituzione dello strumento, utilizzare l'imballo originale o utilizzare un contenitore di trasporto adeguato.

Per evitare danni:

1. Avvolgere lo strumento con una pellicola antistatica.
2. Riporre lo strumento nella scatola con materiale assorbente gli urti. Posizionare materiale per assorbire gli urti su tutti i lati all'interno dell'imballo.
3. Se possibile, includere una bustina di gel anti-umidità all'interno dell'imballo.
4. Etichettare la spedizione come trasporto di uno strumento altamente sensibile.

IT



Le informazioni sulle modalità di gestione resi sono disponibili nella sezione "Servizi" del nostro sito web.

10.3 Smaltimento

Lo smaltimento inappropriato può provocare rischi per l'ambiente.

Lo smaltimento dei componenti dello strumento e dei materiali di imballaggio deve essere effettuato in modo compatibile ed in accordo alle normative nazionali.



Questo marchio sugli strumenti indica che essi non devono essere smaltiti insieme ai normali rifiuti domestici. Lo smaltimento deve essere effettuato inviando lo strumento direttamente al costruttore o tramite le autorità municipali locali (vedere la direttiva EU 2012/19/EU).

11. Accessori

Taratura

- Rapporto di prova 3.1 conforme a DIN EN 10204 (standard)
- Certificato di taratura DKD/DAkkS (opzione)

Per CPU6000-S

- Sensore di temperatura pistone con cavo da 1 m (3,3 ft) (standard)
- Sensore di temperatura pistone con cavo da 2,5 m (8,2 ft)
- Sensore di temperatura pistone con cavo da 1 m per installazione
- Sensore di temperatura pistone con cavo da 2,5 m (8,2 ft) per installazione
- Sensore di posizione di galleggiamento con cavo da 1 m (3,3 ft), accuratezza $\pm 0,5$ mm (standard)
- Sensore di posizione di galleggiamento con cavo da 2,5 m (8,2 ft), accuratezza $\pm 0,5$ mm
- Sensore di posizione di galleggiamento con cavo da 1 m (3,3 ft), accuratezza $\pm 0,5$ mm per installazione
- Sensore di posizione di galleggiamento con cavo da 2,5 m (8,2 ft), accuratezza $\pm 0,5$ mm per installazione
- Montaggio a parete

Per CPU6000-W

- Sensore di temperatura-umidità
- Sensore WIKA, 550 ... 1.150 mbar ass. (7.85 ... 16.68 psi abs.), accuratezza 0,05 % FS (standard)
- Sensore Mensor, 551 ... 1.172 mbar ass. (8 ... 17 psi abs.), accuratezza 0,01 % della lettura
- Montaggio a parete

Per CPU6000-M

- Kit cavi di prova, composto da 4 cavetti, ognuno con pinze a coccodrillo e adattatore connettore banana jack nero e rosso
- Montaggio a parete

Tensione di alimentazione

- Adattatore CA, 24 Vcc, 625 mA

Comunicazione

- Cavo di interfaccia USB

Valigetta di trasporto

- Custodia per assistenza tecnica



EG-Konformitätserklärung

EC Declaration of Conformity

Dokument Nr.:

14104769.01

Document No.:

14104769.01

Wir erklären in alleiniger Verantwortung, dass die mit CE gekennzeichneten Produkte

We declare under our sole responsibility that the CE marked products

Typ:

CPU6000-W, -S, -M

Model:

CPU6000-W, -S, -M

Beschreibung:

CalibratorUnit

Funkanlage (Klasse 1) mit eingebauten Bluetooth-Modul connectBlue cB-OLS425

Description:

CalibratorUnit

Radio Equipment (Class 1) with built-in Bluetooth module connectBlue cB-OLS425

gemäß gültigem Datenblatt:

CT 35.02

according to the valid data sheet:

CT 35.02

die grundlegenden Schutzanforderungen der folgenden Richtlinie(n) erfüllen:

1999/5/EG

are in conformity with the essential protection requirements of the directive(s)

1999/5/EC

Gesundheit und Sicherheit (Artikel 3 (1) a))

EN 60950:2006 + A11:2009 + A1:2010 + A12:2011
EN 62479:2010

protection of health and safety (Article 3 (1) (a))

EN 60950:2006 + A11:2009 + A1:2010 + A12:2011
EN 62479:2010

elektromagnetische Verträglichkeit (Artikel 3 (1) b))

EN 61326-1:2013
EN 301 489-1 V1.9.2
EN 301 489-17 V2.1.1

electromagnetic compatibility (Article 3 (1) b))

EN 61326-1:2013
EN 301 489-1 V1.9.2
EN 301 489-17 V2.1.1

effiziente Nutzung Frequenzspektrum (Artikel 3 (2))

EN 300 328 V1.7.1

effective use of spectrum (Article 3 (2))

EN 300 328 V1.7.1

Unterzeichnet für und im Namen von / Signed for and on behalf of

WIKAI Alexander Wiegand SE & Co. KG

Klingenberg, 2014-07-21

Geschäftsbereich / Company division: PI-CT

Qualitätsmanagement / Quality management: PI-CT


Alfred Häfner


Harald Hartl

Unterschrift, autorisiert durch das Unternehmen / Signature authorized by the company

WIKAI Alexander Wiegand SE & Co. KG
Alexander-Wiegand-Straße 30
63911 Klingenberg
Germany

Tel. +49 9372 132-0
Fax +49 9372 132-406
E-Mail info@wika.de
www.wika.de

Kommanditgesellschaft: Sitz Klingenberg –
Amtsgericht Aschaffenburg HRA 1819
Komplementärin: WIKAI Verwaltungs SE & Co. KG –
Sitz Klingenberg – Amtsgericht Aschaffenburg
HRA 4685

Komplementärin:
WIKAI International SE - Sitz Klingenberg -
Amtsgericht Aschaffenburg HRB 10505
Vorstand: Alexander Wiegand
Vorsitzender des Aufsichtsrats: Dr. Max Egli