

Strain transducer, model F9302

EN

Dehnungsaufnehmer, Typ F9302

DE

CE



Strain transducer, model F9302

avroara-arm.ru
+7 (495) 956-62-18

WIKAI

Part of your business

EN	Operating instructions model F9302	Page	3 - 22
-----------	---	-------------	---------------

DE	Betriebsanleitung Typ F9302	Seite	23 - 43
-----------	------------------------------------	--------------	----------------

© 03/2019 WIKA Alexander Wiegand SE & Co. KG
All rights reserved. / Alle Rechte vorbehalten.
WIKA® and tecsis® are registered trademarks in various countries.
WIKA® and tecsis® sind geschützte Marken in verschiedenen Ländern.

Prior to starting any work, read the operating instructions!
Keep for later use!

Vor Beginn aller Arbeiten Betriebsanleitung lesen!
Zum späteren Gebrauch aufbewahren!

Contents

1. General information	4
2. Design and function	5
2.1 Overview	5
2.2 Description	5
2.3 Scope of delivery	5
3. Safety	6
3.1 Explanation of symbols	6
3.2 Intended use	6
3.3 Improper use	7
3.4 Responsibility of the operator	7
3.5 Personnel qualification	8
3.6 Personal protective equipment	8
3.7 Labelling, safety marks	9
4. Transport, packaging and storage	10
4.1 Transport	10
4.2 Packaging and storage	10
5. Commissioning, operation	11
5.1 Precautions before commissioning	11
5.2 Mounting instructions	11
5.3 Installing the strain transducer	12
5.4 Electrical connection	13
5.5 Commissioning	14
6. Faults	16
7. Maintenance and cleaning	17
7.1 Maintenance	17
7.2 Cleaning	17
8. Dismounting, return and disposal	17
8.1 Dismounting	17
8.2 Return	18
8.3 Disposal	18
9. Specifications	19
10. Accessories	20
10.1 Cable	20
11. Appendix: EU declaration of conformity	21

EN

1. General information

EN

- The strain transducer described in the operating instructions has been designed and manufactured using state-of-the-art technology. All components are subject to stringent quality and environmental criteria during production. Our management systems are certified to ISO 9001.
- These operating instructions contain important information on handling the instrument. Working safely requires that all safety instructions and work instructions are observed.
- Observe the relevant local accident prevention regulations and general safety regulations for the instrument's range of use.
- The operating instructions are part of the product and must be kept in the immediate vicinity of the instrument and readily accessible to skilled personnel at any time. Pass the operating instructions on to the next operator or owner of the instrument.
- Skilled personnel must have carefully read and understood the operating instructions prior to beginning any work.
- The general terms and conditions contained in the sales documentation shall apply.
- Subject to technical modifications.
- Further information:
 - Internet address: www.wika.de / www.tecsis.de
 - Relevant data sheet: FO 54.10
 - Application consultant: Tel.: +49 69 5806-0
Fax: +49 69 5806-7788
info@wika.de, info@tecsis.de

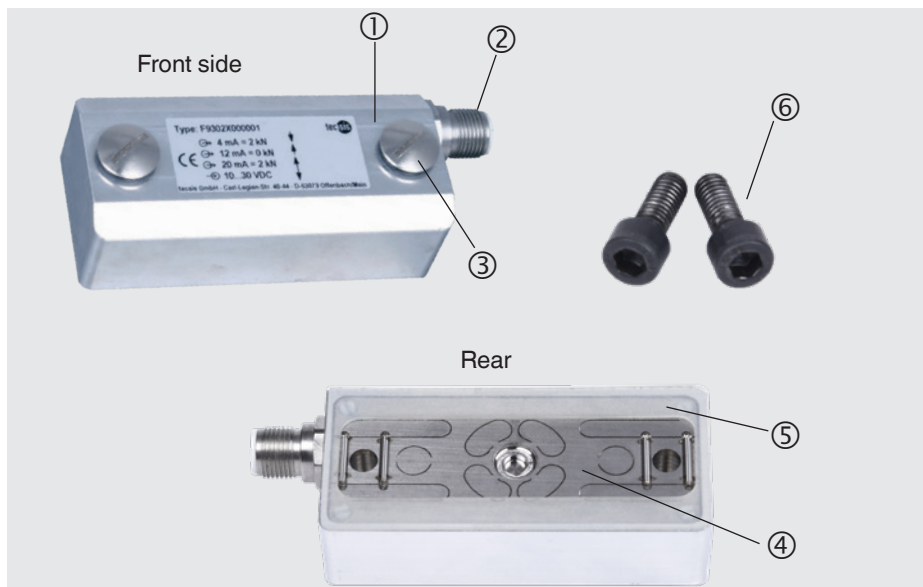
Abbreviations, definitions

2-wire	The two connection lines are used for the voltage supply. The measuring signal also provides the supply current.
3-wire	Two connection lines are used for the voltage supply. One connection line is used for the measuring signal.
UB+	Positive power supply terminal
UB-	Negative power supply terminal
S+	Positive output terminal
S-	Negative output terminal
Shield	Case
x-pin	Pin assignment

2. Design and function

2.1 Overview

- ① Case
- ② Electrical connection
- ③ Protective caps for M6 Allen screws
- ④ Measuring spring
- ⑤ Flat gasket
- ⑥ Mounting screws (M6 Allen screws)



2.2 Description

The strain transducer is intended for the measurement of static and dynamic deformations/strains on certain measurement objects. The strain transducer consists of a measuring spring and a welded thin-film sensor. The measuring body is manufactured from non-rusting stainless steel and is screwed onto the measurement object. Through the strains occurring in the measurement object, the measuring spring of the strain transducer is elastically deformed. These mechanical deformations are measured by the installed thin-film sensor and output as an electrical output signal.

2.3 Scope of delivery

- Strain transducer
- 2 M6 mounting screws (M6 Allen screws)
- Operating instructions

3. Safety

3.1 Explanation of symbols

EN



WARNING!

... indicates a potentially dangerous situation that can result in serious injury or death, if not avoided.



CAUTION!

... indicates a potentially dangerous situation that can result in light injuries or damage to property or the environment, if not avoided.



Information

... points out useful tips, recommendations and information for efficient and trouble-free operation.

3.2 Intended use

The strain transducers of the F9302 series are intended for the measurement of static and dynamic deformations/strains on certain measurement objects.

These instruments have been designed and tested in accordance with the relevant safety regulations for electronic measuring instruments. Any usage outside of this is deemed to be improper. The perfect functioning and operational safety of the strain transducers can only be guaranteed when complying with the instructions given in the operating instructions. During its use, the legal and safety regulations (e.g. VDE 0100) required for the particular application must additionally be observed.

This also applies accordingly when using accessories. Strain transducers are RoHS-compliant in accordance with Directive 2011/65/EU Art. 2 (2) and (4) d), e) and g). Faultless and safe operation of this transducer requires proper transport, professional storage, installation and mounting as well as careful operation and corrective maintenance.

The instrument has been designed and built solely for the intended use described here, and may only be used accordingly.

The technical specifications contained in these operating instructions must be observed. Improper handling or operation of the instrument outside of its technical specifications requires the instrument to be taken out of service immediately and inspected by an authorised service engineer.

Handle electronic precision measuring instruments with the required care (protect from

humidity, impacts, strong magnetic fields, static electricity and extreme temperatures, do not insert any objects into the instrument or its openings). Plugs and sockets must be protected from contamination.

The manufacturer shall not be liable for claims of any type based on operation contrary to the intended use.

3.3 Improper use



WARNING!

Injuries through improper use

Improper use of the instrument can lead to hazardous situations and injuries.

- ▶ Refrain from unauthorised modifications to the instrument.

Any use beyond or different to the intended use is considered as improper use.

3.4 Responsibility of the operator

The instrument is used in the industrial sector. The operator is therefore responsible for legal obligations regarding safety at work.

The safety instructions within these operating instructions, as well as the safety, accident prevention and environmental protection regulations for the application area must be maintained.

The operator is obliged to maintain the product label in a legible condition.

To ensure safe working on the instrument, the operating company must ensure

- that suitable first-aid equipment is available and aid is provided whenever required.
- that the skilled electrical personnel are regularly instructed in all topics regarding work safety, first aid and environmental protection and know the operating instructions and in particular, the safety instructions contained therein.
- that the instrument is suitable for the particular application in accordance with its intended use.
- that personal protective equipment is available.

3.5 Personnel qualification

EN



WARNING!

Risk of injury should qualification be insufficient

Improper handling can result in considerable injury and damage to equipment.

- ▶ The activities described in these operating instructions may only be carried out by skilled personnel who have the qualifications described below.

Skilled electrical personnel

Skilled electrical personnel are understood to be personnel who, based on their technical training, know-how and experience as well as their knowledge of country-specific regulations, current standards and directives, are capable of carrying out work on electrical systems and independently recognising and avoiding potential hazards. The skilled electrical personnel have been specifically trained for the work environment they are working in and know the relevant standards and regulations. The skilled electrical personnel must comply with current legal accident prevention regulations.

Special operating conditions require further appropriate knowledge, e.g. of aggressive media.

3.6 Personal protective equipment

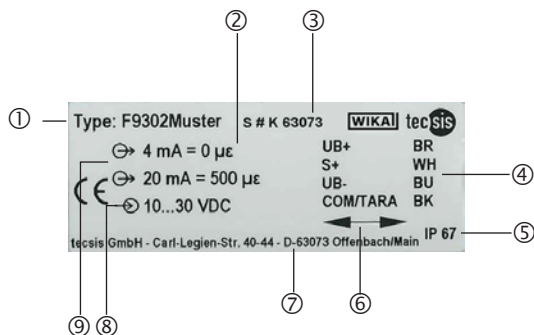
The requirements for the required protective equipment result from the ambient conditions at the place of use, other products or the connection to other products.

The requisite personal protective equipment must be provided by the operating company. The operator is in no way relieved of his obligations under labour law for the safety and the protection of workers' health.

The design of the personal protective equipment must take into account all operating parameters of the place of use.

3.7 Labelling, safety marks

Product label



- ① Model
- ② Measuring range
- ③ Serial number
- ④ Pin assignment
- ⑤ Ingress protection per DIN EN 60259
- ⑥ Strain direction
- ⑦ Address
- ⑧ Power supply, excitation voltage for mV/V sensor
- ⑨ Output signal

4. Transport, packaging and storage

4.1 Transport

EN

Check the strain transducer for any damage that may have been caused by transport. Obvious damage must be reported immediately.



CAUTION!

Damage through improper transport

With improper transport, a high level of damage to property can occur.

- ▶ When unloading packed goods upon delivery as well as during internal transport, proceed carefully and observe the symbols on the packaging.
- ▶ With internal transport, observe the instructions in chapter 4.2 “Packaging and storage”.

As precision measuring instruments, transducers require careful handling during transport and mounting. Load impacts during transport (e.g. hitting a hard surface) can lead to permanent damage, resulting in measuring errors in the subsequent measuring operation.

4.2 Packaging and storage

Do not remove packaging until just before mounting.

Keep the packaging as it will provide optimum protection during transport (e.g. change in installation site, sending for repair).

The measuring spring is made completely of stainless steel. The version of the accessory cables has an ingress protection of IP67. The ingress protection IP67 is only guaranteed in the plugged-in state. During storage the protection cap must always be on the electrical connection to avoid entry of moisture and dirt.

Permissible conditions at the place of storage:

- Storage temperature: -40 ... +85 °C
- Humidity: 35 ... 85 % relative humidity (non-condensing)

Avoid exposure to the following factors:

- Mechanical vibration, mechanical shock (putting it down hard)
- Dust, dirt, and other objects may not be deposited in such a way that they form a force shunt with the measuring spring, since this will falsify the measuring signal.

5. Commissioning, operation

5.1 Precautions before commissioning

- Strain transducers are sensitive measuring instruments and must be handled with appropriate care.
- The mounting surface must be even.
- The mounting surface must be free from paint, undercoat or other coatings.
- When making the tapped holes, care must be taken to ensure the correct hole separation in accordance with the technical specifications.
- Before installation, make sure that any drilling chips have been removed from the tapped holes in the measurement object.
- The mounting surface must be free from grease, oil and dust.
- For an optimal measuring result, the specifications for surface roughness in the specification documents must be followed.

5.2 Mounting instructions



CAUTION!

Damage to the instrument through improper installation

- The installation is made on unloaded and tension-free components.
- With the installation of the strain transducer, the installation position and, with that, the load direction must be considered.
- The transducer must be free from shear forces and torsion when installing. Torsional moments and shear forces cause measuring errors and can permanently damage the transducer.
- Do not twist the transducer.
- During installation of the strain transducer, the output signal (strain value) must always be monitored to avoid mechanical overload.
- The M6 mounting screws must be tightened uniformly and with a torque of 12 Nm.
- After a few loadings, re-tighten the M6 mounting screws with 12 Nm.
- The strain transducer may not be used as climbing aid.

5.3 Installing the strain transducer

EN



- ① Protective caps for M6 Allen screws
- ② Strain transducer
- ③ Measurement object
- ④ Mounting screws (M6 Allen screws)

- Loosen the protective caps ① using a slotted screwdriver
- Position the strain transducer ② appropriately using the tapped holes on the measurement object ③. Tighten the strain transducer uniformly with the M6 Allen screws ④ with a torque of 12 Nm.
- Re-fit the protective caps ① to the strain transducer using a slotted screwdriver.

5.4 Electrical connection

To prevent interferences from coupling into the system, observe the following information:

- Use only shielded and low-capacitance measuring cables. For cables, see chapter 10 “Accessories”. These cables fulfil the conditions.
- Ground the shield of the measuring cable.
- Connect the cable shield to the case of the strain transducer. In the cables of the accessories, the cable shield is connected by means of the knurled nut, thus connecting it to the case of the strain transducer (for cables, see chapter 10 “Accessories”).
- Do not install measuring cables in parallel to 3-phase-current cables and control cables.
- Stray fields from transformers, motors and contactors must be avoided.
- Transducers, amplifiers and processing or display units must not be grounded several times. All instruments must be connected to the same protective conductor.

The pin assignment of the connector or of the cable can be found on the product label.

When using extensions, only shielded and low-capacitance cables should be used. The permitted maximum and minimum lengths of cable are defined in ISO 11898-2. Care should be taken also to ensure a high-quality connection of the shielding.

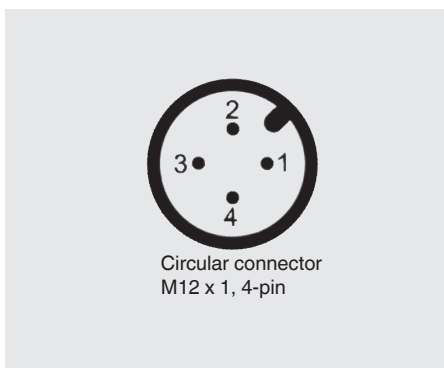
5.4.1 Pin assignment of analogue output, model F9302, standard



Information

Pin assignments may differ for customer-specific versions. Pay attention to the customer release drawing!

Circular connector M12 x 1, 4-pin		
	4 ... 20 mA 3-wire	Cable assignment
UB+	1	brown
UB-	3	blue
S+	2	white
S-	-	-
Tare (Com)	4	black
Shield ⊕	Case	



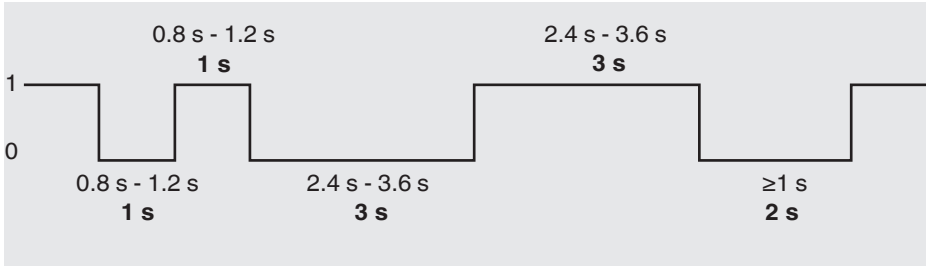
5. Commissioning, operation

5.5 Commissioning

5.5.1 Commissioning the strain transducer with a factory-set span

EN

- The measurement object must be in an unloaded state.
- Connect the strain transducer to the PLC controller. With this, make sure that the control cable is connected to pin 4 (Com/Tare).
- Set the zero point by sending the following bit signal via the PLC controller:

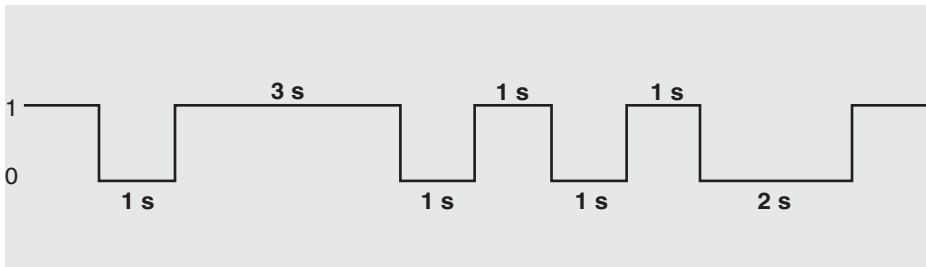


Bit signal	Logic inputs	All logic inputs
0	small input voltage ($V_{INL} \leq 0.4$)	V
1	high input voltage ($V_{INH} \geq 2.0$)	V

- Load the measurement object up to the end of its measuring range.
- Check whether the output signal matches with the nominal set point (end of measuring range).
- Unload the measurement object and check the zero signal.
- Repeat this procedure several times in order to achieve the optimum measuring results.

5.5.2 Commissioning the strain transducer with variable setting of the span

- The measurement object must be in an unloaded state.
- Connect the strain transducer to the PLC controller. With this, make sure that the control cable is connected to pin 4 (Com/Tare).
- Set the zero point by sending the following bit signal via the PLC controller:



ADPR1X914022.01 03/2019 EN/DE

5. Commissioning, operation

Bit signal	Logic inputs	All logic inputs
0	small input voltage ($V_{INL} \leq 0.4$)	V
1	high input voltage ($V_{INH} \geq 2.0$)	V

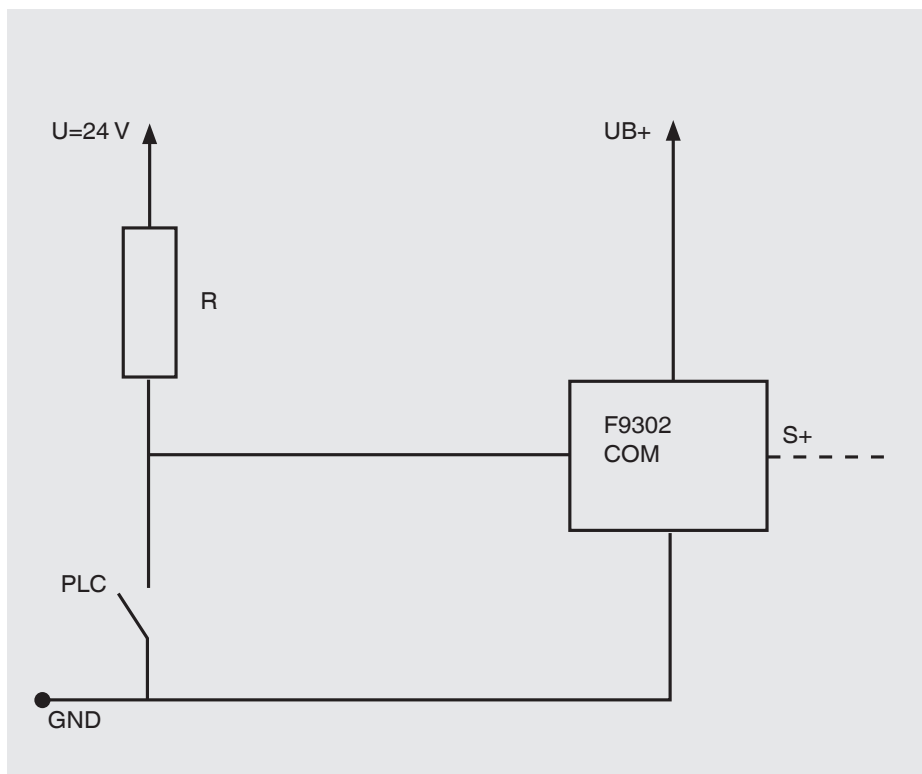
EN

- Load the measurement object up to the end point of the characteristic curve.

5.5.3 Adjustment of the temperature response

The adjustment of the temperature response (TC) of the output signal on the mounted component as well as the setting of the limit frequency is possible through factory programming.

Connection diagram



6. Faults

EN



CAUTION!

Physical injuries, damage to equipment

If faults cannot be eliminated by means of the listed measures, the strain transducer must be taken out of operation immediately.

- ▶ Contact the manufacturer.
- ▶ If a return is needed, please follow the instructions given in chapter 8.2 “Return”.



For contact details see chapter 1 “General information” or the back page of the operating instructions.

Faults	Causes	Measures
No output signal	No or wrong power supply, current pulse	Rectify the power supply
	Cable break	Check the continuity
No or wrong output signal	Wrong pin assignment	Check pin assignment
Deviation of the zero point signal	Overload, last offset, wrong connection	Contact the manufacturer
Too high offset of the zero point (over 60 % of the span) during installation	Too high bending or torsional moment	Interrupt the installation. Check surface of the measurement object for smoothness. Check the setting of the torque spanner.
Constant output signal when changing strain	Mechanical overload, wrong pin assignment	Contact the manufacturer
Signal span varies	EMC interference sources in the environment; for example, frequency converter	Shield instrument; cable shield; remove source of interference
Signal span drops/too small	Mechanical overload	Contact the manufacturer
Signal span cannot be set	Signal span is outside of the setting range	Contact the manufacturer

7. Maintenance and cleaning



For contact details see chapter 1 “General information” or the back page of the operating instructions.

EN

7.1 Maintenance

This instrument is maintenance-free.

Repairs must only be carried out by the manufacturer.
Only use original parts (see chapter 10 “Accessories”).

7.2 Cleaning

1. Prior to cleaning, disconnect the strain transducer from the voltage supply and dismount it.
2. Clean the strain transducer with a cloth.
Electrical connections must not come into contact with moisture!



CAUTION!

Damage to the instrument

Improper cleaning may lead to damage to the instrument!

- ▶ Do not use any aggressive cleaning agents.
- ▶ Do not use any hard or pointed objects for cleaning.

8. Dismounting, return and disposal

8.1 Dismounting

Relieve the strain transducer and disconnect it from power. Loosen the mounting screws and remove the strain transducer from the measurement object.

8. Dismounting, return and disposal

8.2 Return

Strictly observe the following when shipping the instrument:

All instruments delivered to WIKA must be free from any kind of hazardous substances (acids, bases, solutions, etc.) and must therefore be cleaned before being returned.

EN

When returning the instrument, use the original packaging or a suitable transport packaging.

To avoid damage:

1. Wrap the instrument in an antistatic plastic film.
2. Place the instrument, along with the shock-absorbent material, in the packaging. Place shock-absorbent material evenly on all sides of the transport packaging.
3. If possible, place a bag containing a desiccant inside the packaging.
4. Label the shipment as carriage of a highly sensitive measuring instrument.



Information on returns can be found under the heading “Service” on our local website.

8.3 Disposal

Incorrect disposal can put the environment at risk.

Dispose of instrument components and packaging materials in an environmentally compatible way and in accordance with the country-specific waste disposal regulations.



Do not dispose of with household waste. Ensure a proper disposal in accordance with national regulations.

9. Specifications

Model F9302	
Strain	0 ... ±200 µε, 0 ... ±500 µε, 0 ... ±1,000 µε, 0 ... ±2,000 µε
Relative linearity error d_{lin}	≤ ±2 % F_{nom}
Relative span in unchanged mounting situation b_{rg} different mounting situation b_{rv}	0.5 % F_{nom} 0.5 % F_{nom}
Temperature effect on the zero signal TK_0	0.1 %/10 K
Temperature effect on the characteristic value TK_C	0.3 %/10 K
Rated temperature range $B_{T, nom}$	-20 ... +80 °C
Service temperature range $B_{T, G}$	-40 ... +80 °C fixed cable run -25 ... +80 °C moving cable
Storage temperature range $B_{T, S}$	-40 ... +85 °C
Output signal (rated characteristic value) C_{nom}	4 ... 20 mA, 3-wire
Power supply	DC 10 ... 36 V
Current supply	Max. 25 mA
Load	> 10 kΩ
Limit frequency	< 2 kHz (-3 dB)
Electrical connection	Circular connector M12 x 1, 4-pin
Ingress protection (per IEC/EN 60529)	IP67
Vibration resistance (per DIN EN 60068-2-6)	20 g, 100 h, 50...150 Hz
Wiring protection	Reverse polarity, overvoltage and short-circuit resistance
Interference emission	DIN EN 55011
Immunity	per DIN EN 61326-1/DIN EN 61326-2-3 (optionally EMC-protected versions)
Surface finish	Minimum requirement: Smoothness 0.05 mm/ surface roughness $R_z = 16$
M6 tightening torque	12 Nm
Weight	200 g

10. Accessories

10. Accessories

WIKA accessories at www.wika.com.

EN

10.1 Cable

Cable with M12 x 1 connector

Cable socket M12 x 1		Order number		
		l = 2 m	l = 5 m	l = 10 m
4-pin with cable	straight	EZE53X011010	EZE53X011012	EZE53X011016
	angled	EZE53X011011	EZE53X011013	EZE53X011017
5-pin with cable	straight	EZE53X011043	EZE53X011044	EZE53X011047
	angled	EZE53X011045	EZE53X011046	EZE53X011071

Other cable lengths and cable types are available on request.



Addition of the WKA Group

EU-Konformitätserklärung EU Declaration of Conformity

Dokument Nr.: ADEUKX100005.01
Document No.:

Wir erklären in alleiniger Verantwortung, dass die mit CE gekennzeichneten Produkte
We declare under our sole responsibility that the CE marked products

Typenbezeichnung: F9302*
Type Designation:

Beschreibung: Dehngsaufnehmer
Description: Strain transducer

gemäß gültiger Betriebsanleitung:
according to the valid data operating instruction: ADPR1X914022

die wesentlichen Schutzanforderungen der folgenden Richtlinien erfüllen: **Harmonisierte Normen:**
comply with the essential protection requirements of the directives: **Harmonized standards:**

2011/65/EU Gefährliche Stoffe (RoHS) EN 50581:2012
Hazardous substances (RoHS)

2014/30/EU Elektromagnetische Verträglichkeit (EMV) EN 61326-1:2013-07
Electromagnetic Compatibility (EMC) EN 61326-2-3: 2013-07
EN 55011:2018-05

Unterszeichnet für und im Namen von / Signed for and on behalf of

tecsis GmbH
Offenbach, 2019-01-15

Stefan Richter, Managing Director

Ralf Both, Engineering Manager

tecsis GmbH
Carl-Legien-Str. 40 - 44
63073 Offenbach am Main
Germany

Tel. +49 69 5906-0
Fax +49 69 5906-7760
E-Mail info@tecsis.de
www.tecsis.de

Sitz Offenbach - Offenbach am Main
Registernummer: HR B 40169
Geschäftsführer: Stefan Richter u. Axel Kalbfleiter

ADPR1X914022.01 03/2019 EN/DE

Inhalt

1. Allgemeines	24
2. Aufbau und Funktion	25
2.1 Überblick	25
2.2 Beschreibung	25
2.3 Lieferumfang	25
3. Sicherheit	26
3.1 Symbolerklärung	26
3.2 Bestimmungsgemäße Verwendung	26
3.3 Fehlgebrauch	27
3.4 Verantwortung des Betreibers.	27
3.5 Personalqualifikation.	28
3.6 Persönliche Schutzausrüstung	28
3.7 Beschilderung, Sicherheitskennzeichnungen	29
4. Transport, Verpackung und Lagerung	30
4.1 Transport.	30
4.2 Verpackung und Lagerung	30
5. Inbetriebnahme, Betrieb	31
5.1 Vorkehrung vor der Inbetriebnahme.	31
5.2 Montagehinweise	31
5.3 Montage des Dehnungsaufnehmers	32
5.4 Elektrischer Anschluss	33
5.5 Inbetriebnahme	34
6. Störungen	36
7. Wartung und Reinigung	37
7.1 Wartung	37
7.2 Reinigung	37
8. Demontage, Rücksendung und Entsorgung	37
8.1 Demontage	37
8.2 Rücksendung	38
8.3 Entsorgung	38
9. Technische Daten	39
10. Zubehör	40
10.1 Kabel	40
11. Anlage: EU-Konformitätserklärung	41

1. Allgemeines

- Der in der Betriebsanleitung beschriebene Dehnungsaufnehmer wird nach dem aktuellen Stand der Technik konstruiert und gefertigt. Alle Komponenten unterliegen während der Fertigung strengen Qualitäts- und Umweltkriterien. Unsere Managementsysteme sind nach ISO 9001 zertifiziert.
- Diese Betriebsanleitung gibt wichtige Hinweise zum Umgang mit dem Gerät. Voraussetzung für sicheres Arbeiten ist die Einhaltung aller angegebenen Sicherheitshinweise und Handlungsanweisungen.
- Die für den Einsatzbereich des Gerätes geltenden örtlichen Unfallverhütungsvorschriften und allgemeinen Sicherheitsbestimmungen einhalten.
- Die Betriebsanleitung ist Produktbestandteil und muss in unmittelbarer Nähe des Gerätes für das Fachpersonal jederzeit zugänglich aufbewahrt werden. Betriebsanleitung an nachfolgende Benutzer oder Besitzer des Gerätes weitergeben.
- Das Fachpersonal muss die Betriebsanleitung vor Beginn aller Arbeiten sorgfältig durchgelesen und verstanden haben.
- Es gelten die allgemeinen Geschäftsbedingungen in den Verkaufsunterlagen.
- Technische Änderungen vorbehalten.
- Weitere Informationen:
 - Internet-Adresse: www.wika.de / www.tecsis.de
 - Zugehöriges Datenblatt: FO 54.10
 - Anwendungsberater: Tel.: +49 69 5806-0
Fax: +49 69 5806-7788
info@wika.de, info@tecsis.de

Abkürzungen, Definitionen

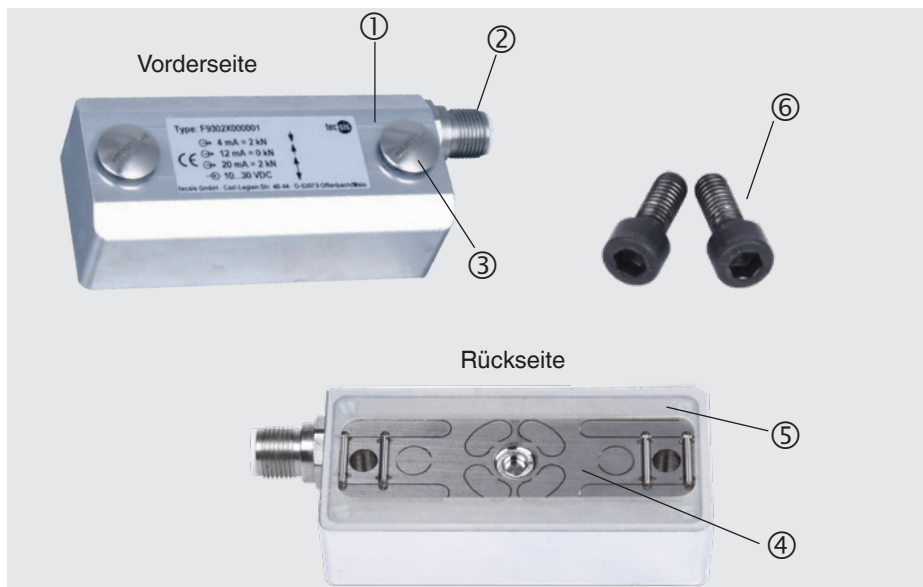
2-Leiter	Die zwei Anschlussleitungen dienen zur Spannungsversorgung. Der Speisestrom ist das Messsignal.
3-Leiter	Zwei Anschlussleitungen dienen zur Spannungsversorgung. Eine Anschlussleitung dient für das Messsignal.
UB+	Positiver Versorgungsanschluss
UB-	Negativer Versorgungsanschluss
S+	Positiver Messanschluss
S-	Negativer Messanschluss
Schirm	Gehäuse
x-polig	Pinbelegung

2. Aufbau und Funktion

2.1 Überblick

- ① Gehäuse
- ② Elektrischer Anschluss
- ③ Abdeckkappen für Innensechskantschrauben M6
- ④ Messfeder
- ⑤ Flachdichtung
- ⑥ Befestigungsschrauben (Innensechskantschrauben M6)

DE



2.2 Beschreibung

Der Dehnungsaufnehmer ist für das Messen statischer und dynamischer Verformungen/Dehnungen an bestimmten Bauteilen vorgesehen. Der Dehnungsaufnehmer besteht aus einer Messfeder und einem eingeschweißten Dünnsensors. Der Messkörper ist aus nichtrostendem Edelstahl gefertigt und wird auf das Messobjekt aufgeschraubt. Durch die im Messobjekt auftretenden Dehnungen wird die Messfeder des Dehnungsaufnehmers elastisch verformt. Diese mechanischen Verformungen werden dabei durch den eingebauten Dünnsensor gemessen und durch ein elektrisches Ausgangssignal ausgegeben.

2.3 Lieferumfang

- Dehnungsaufnehmer
- 2 Befestigungsschrauben M6 (Innensechskantschrauben M6)
- Betriebsanleitung

3. Sicherheit

3.1 Symbolerklärung

DE



WARNUNG!

... weist auf eine möglicherweise gefährliche Situation hin, die zum Tod oder zu schweren Verletzungen führen kann, wenn sie nicht gemieden wird.



VORSICHT!

... weist auf eine möglicherweise gefährliche Situation hin, die zu geringfügigen oder leichten Verletzungen bzw. Sach- und Umweltschäden führen kann, wenn sie nicht gemieden wird.



Information

... hebt nützliche Tipps und Empfehlungen sowie Informationen für einen effizienten und störungsfreien Betrieb hervor.

3.2 Bestimmungsgemäße Verwendung

Der Dehnungsaufnehmer der Baureihe F9302 ist für das Messen statischer und dynamischer Verformungen/Dehnungen an Messobjekten vorgesehen.

Diese Geräte sind gemäß den Sicherheitsbestimmungen für elektronische Messgeräte gebaut und geprüft. Jeder darüber hinausgehende Gebrauch gilt als nicht bestimmungsgemäß. Die einwandfreie Funktion und Betriebssicherheit der Dehnungsaufnehmer kann nur bei Einhaltung der Angaben in der Betriebsanleitung garantiert werden. Bei der Verwendung sind zusätzlich die für den jeweiligen Anwendungsfall erforderlichen Rechts- und Sicherheitsvorschriften zu beachten (z. B. VDE 0100).

Sinngemäß gilt dies auch bei Verwendung von Zubehör. Die Dehnungsaufnehmer sind RoHS-konform gem. Richtlinie 2011/65/EU Art. 2 Abs. (2) und Absatz (4) d), e) und g). Der einwandfreie und sichere Betrieb dieses Aufnehmers setzt sachgemäßen Transport, fachgerechte Lagerung, Aufstellung und Montage sowie sorgfältige Bedienung und Instandhaltung voraus.

Das Gerät ist ausschließlich für den hier beschriebenen bestimmungsgemäßen Verwendungszweck konzipiert und konstruiert und darf nur dementsprechend verwendet werden.

Die technischen Spezifikationen in dieser Betriebsanleitung sind einzuhalten. Eine unsachgemäße Handhabung oder ein Betreiben des Gerätes außerhalb der techni-

schen Spezifikationen macht die sofortige Stilllegung und Überprüfung durch einen autorisierten Servicemitarbeiter erforderlich.

Elektronische Präzisionsmessgeräte mit erforderlicher Sorgfalt behandeln (vor Nässe, Stößen, starken Magnetfeldern, statischer Elektrizität und extremen Temperaturen schützen, keine Gegenstände in das Gerät bzw. Öffnungen einführen). Stecker und Buchsen vor Verschmutzung schützen.

Ansprüche jeglicher Art aufgrund von nicht bestimmungsgemäßer Verwendung sind ausgeschlossen.

3.3 Fehlgebrauch



WARNUNG!

Verletzungen durch Fehlgebrauch

Fehlgebrauch des Gerätes kann zu gefährlichen Situationen und Verletzungen führen.

- ▶ Eigenmächtige Umbauten am Gerät unterlassen.

Jede über die bestimmungsgemäße Verwendung hinausgehende oder andersartige Benutzung gilt als Fehlgebrauch.

3.4 Verantwortung des Betreibers

Das Gerät wird im gewerblichen Bereich eingesetzt. Der Betreiber unterliegt daher den gesetzlichen Pflichten zur Arbeitssicherheit.

Die Sicherheitshinweise dieser Betriebsanleitung, sowie die für den Einsatzbereich des Gerätes gültigen Sicherheits-, Unfallverhütungs- und Umweltschutzvorschriften einhalten.

Der Betreiber ist verpflichtet das Typenschild lesbar zu halten.

Für ein sicheres Arbeiten am Gerät muss der Betreiber sicherstellen,

- dass eine entsprechende Erste-Hilfe-Ausrüstung vorhanden ist und bei Bedarf jederzeit Hilfe zur Stelle ist.
- dass das Elektrofachpersonal regelmäßig in allen zutreffenden Fragen von Arbeitssicherheit, Erste Hilfe und Umweltschutz unterwiesen wird, sowie die Betriebsanleitung und insbesondere die darin enthaltenen Sicherheitshinweise kennt.
- dass das Gerät gemäß der bestimmungsgemäßen Verwendung für den Anwendungsfall geeignet ist.
- dass die persönliche Schutzausrüstung verfügbar ist.

3.5 Personalqualifikation



WARNUNG!

Verletzungsgefahr bei unzureichender Qualifikation

Unsachgemäßer Umgang kann zu erheblichen Personen- und Sachschäden führen.

- ▶ Die in dieser Betriebsanleitung beschriebenen Tätigkeiten nur durch Fachpersonal nachfolgend beschriebener Qualifikation durchführen lassen.

Elektrofachpersonal

Das Elektrofachpersonal ist aufgrund seiner fachlichen Ausbildung, Kenntnisse und Erfahrungen sowie Kenntnis der landesspezifischen Vorschriften, geltenden Normen und Richtlinien in der Lage, Arbeiten an elektrischen Anlagen auszuführen und mögliche Gefahren selbstständig zu erkennen und zu vermeiden. Das Elektrofachpersonal ist speziell für das Arbeitsumfeld, in dem es tätig ist, ausgebildet und kennt die relevanten Normen und Bestimmungen. Das Elektrofachpersonal muss die Bestimmungen der geltenden gesetzlichen Vorschriften zur Unfallverhütung erfüllen.

Spezielle Einsatzbedingungen verlangen weiteres entsprechendes Wissen, z. B. über aggressive Messstoffe.

3.6 Persönliche Schutzausrüstung

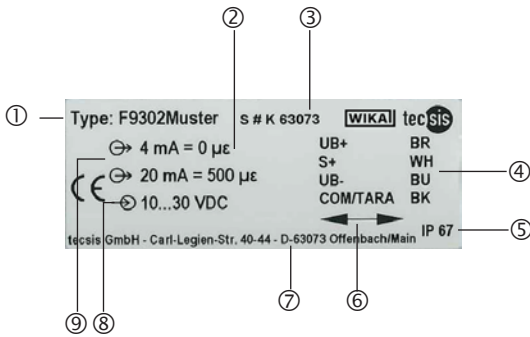
Anforderungen an benötigte Schutzausrüstung ergeben sich aus den Umgebungsbedingungen am Ort der Nutzung, anderen Produkten oder der Verknüpfung mit anderen Produkten.

Die erforderliche persönliche Schutzausrüstung muss vom Betreiber zur Verfügung gestellt werden. Der Betreiber wird durch diese Vorschläge in keinsten Weise von seinen arbeitsrechtlichen Pflichten zur Sicherheit und dem Schutz der Gesundheit der Arbeitnehmer entbunden.

Die Bemessung der persönlichen Schutzausrüstung muss unter Berücksichtigung aller Betriebsparameter des Einsatzortes erfolgen.

3.7 Beschilderung, Sicherheitskennzeichnungen

Typenschild



- ① Typ
- ② Messbereich
- ③ Seriennummer
- ④ Anschlussbelegung
- ⑤ Schutzart gem. DIN EN 60259
- ⑥ Dehnrichtung
- ⑦ Adresse
- ⑧ Hilfsenergie, Speisespannung bei mV/V-Sensor
- ⑨ Ausgangssignal

4. Transport, Verpackung und Lagerung

4.1 Transport

Den Dehnungsaufnehmer auf eventuell vorhandene Transportschäden untersuchen. Offensichtliche Schäden unverzüglich mitteilen.

DE



VORSICHT!

Beschädigungen durch unsachgemäßen Transport

Bei unsachgemäßem Transport können Sachschäden in erheblicher Höhe entstehen.

- ▶ Beim Abladen der Packstücke bei Anlieferung sowie innerbetrieblichem Transport vorsichtig vorgehen und die Symbole auf der Verpackung beachten.
- ▶ Bei innerbetrieblichem Transport die Hinweise unter Kapitel 4.2 „Verpackung und Lagerung“ beachten.

Als Präzisionsmessgeräte verlangen die Aufnehmer beim Transport und der Montage eine sorgfältige Handhabung. Laststöße während des Transports (z. B. Aufschlag auf harten Untergrund) können zu bleibenden Schäden führen, die im späteren Messbetrieb zu Messfehlern führen.

4.2 Verpackung und Lagerung

Verpackung erst unmittelbar vor der Montage entfernen.

Die Verpackung aufbewahren, denn diese bietet bei einem Transport einen optimalen Schutz (z. B. wechselnder Einbauort, Reparatursendung).

Die Messfeder ist vollständig aus CrNi-Stahl hergestellt. Die Ausführung der Zubehörfeder entspricht ebenfalls der Schutzart IP67. Die Schutzart IP67 wird nur im gesteckten Zustand garantiert. Bei der Lagerung muss sich die Schutzkappe immer auf dem elektrischen Anschluss befinden, um einen Feuchtigkeitseintritt sowie Schmutz zu vermeiden.

Zulässige Bedingungen am Lagerort:

- Lagertemperatur: -40 ... +85 °C
- Feuchtigkeit: 35 ... 85 % relative Feuchte (keine Betauung)

Folgende Einflüsse vermeiden:

- Mechanische Vibration, mechanischer Schock (hartes Aufstellen)
- Staub, Schmutz und sonstige Gegenstände dürfen sich nicht so ablagern, dass sie einen Kraftnebenschluss zur Messfeder bilden, da dadurch das Messsignal verfälscht wird.

5. Inbetriebnahme, Betrieb

5.1 Vorkehrung vor der Inbetriebnahme

- Dehnungsaufnehmer sind empfindliche Messgeräte und entsprechend sorgsam zu behandeln.
- Die Montagefläche muss eben sein.
- Die Montagefläche muss frei von Lack, Grundierung oder sonstigen Beschichtungen sein.
- Beim Herstellen der Gewindebohrungen muss auf den korrekten Bohrungsabstand gem. den technischen Vorgaben geachtet werden.
- Vor der Installation ist darauf zu achten, dass die Bohrspäne aus den Gewindebohrungen am Messobjekt entfernt wurden.
- Die Montagefläche muss frei von Fett, Öl und Staub sein.
- Für ein optimales Messergebnis sind die Angaben zur Oberflächenrauheit in den technischen Daten zu beachten.

5.2 Montagehinweise



VORSICHT!

Beschädigung des Gerätes durch unsachgemäße Montage

- Die Montage erfolgt an unbelasteten und spannungsfreien Bauteilen.
- Beim Einbau des Dehnungsaufnehmers ist auf die Einbaulage und damit auf die Belastungsrichtung zu achten.
- Der Aufnehmer muss bei der Montage frei von Querkräften und Torsion sein. Torsionsmomente und Querkräfte verursachen Messfehler und können den Aufnehmer bleibend schädigen.
- Den Aufnehmer nicht verkanten.
- Während der Montage des Dehnungsaufnehmers ist das Ausgangssignal (Dehnungswert) stets zu überwachen, um eine mechanische Überlastung zu vermeiden.
- Die Befestigungsschrauben M6 sind gleichmäßig und mit einem Drehmoment von 12 Nm anzuziehen.
- Nach einigen Belastungen die Befestigungsschrauben M6 wiederholt mit 12 Nm nachziehen.
- Der Dehnungsaufnehmer darf nicht als Steighilfe verwendet werden.

5.3 Montage des Dehnungsaufnehmers

DE



- ① Abdeckkappen für Innensechskantschrauben M6
- ② Dehnungsaufnehmer
- ③ Messobjekt
- ④ Befestigungsschrauben (Innensechskantschrauben M6)

- Abdeckkappen ① mittels eines Schlitzschraubendrehers lösen
- Dehnungsaufnehmer ② passend über Gewindebohrungen am Messobjekt ③ positionieren
- Den Dehnungsaufnehmer mit den Innensechskantschrauben M6 ④ mit einem Drehmoment von 12 Nm gleichmäßig anziehen.
- Abdeckkappen ① mittels eines Schlitzschraubendrehers wieder auf den Dehnungsaufnehmer montieren.

5.4 Elektrischer Anschluss

Um Einkopplungen von Störungen zu vermeiden, sind folgende Hinweise zu beachten:

- Nur abgeschirmte, kapazitätsarme Messkabel verwenden. Kabel, siehe Kapitel 10 „Zubehör“. Diese Kabel erfüllen die Bedingungen.
- Schirm des Messkabels erden.
- Den Kabelschirm mit dem Gehäuse des Dehnungsaufnehmers verbinden. Bei den Zubehörkabeln ist der Kabelschirm mit der Rändelmutter und damit mit dem Gehäuse des Dehnungsaufnehmers verbunden. Kabel, siehe Kapitel 10 „Zubehör“.
- Die Messkabel nicht parallel zu Starkstrom- und Steuerleitungen legen.
- Streufelder von Transformatoren sowie Motoren und Schützen sind zu vermeiden.
- Aufnehmer, Verstärker und Verarbeitungs- bzw. Anzeigeeinheit dürfen nicht mehrfach geerdet werden. Alle Geräte sind an denselben Schutzleiter anzuschließen.

Die Anschlussbelegung des Steckers oder des Kabels sind dem Typenschild zu entnehmen. Beim Verlängern dürfen nur abgeschirmte und kapazitätsarme Kabel verwendet werden. Die erlaubten maximalen und minimalen Längen des Kabels sind in der ISO 11898-2 angegeben. Dabei ist auf eine hochwertige Verbindung auch der Abschirmung zu achten.

5.4.1 Anschlussbelegung Analogausgang Typ F9302 Standard



Information
Pinbelegungen können bei kundenspezifischen Ausführungen abweichen. Kundenfreigabebezeichnung beachten!

Rundstecker M12 x 1, 4-polig		
	4 ... 20 mA 3-Leiter	Kabel- belegung
UB+	1	braun
UB-	3	blau
S+	2	weiß
S-	-	-
Tara (Com)	4	schwarz
Schirm ⊕	Gehäuse	

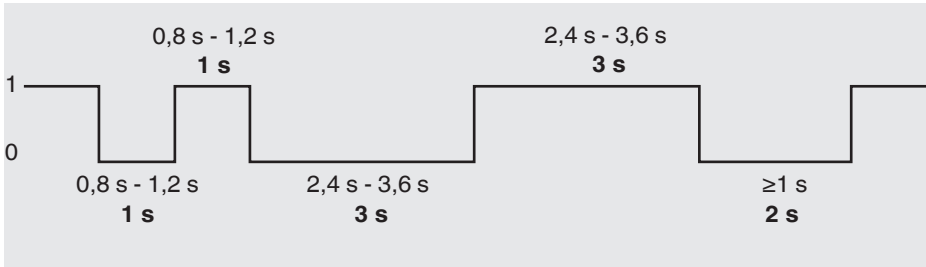


5. Inbetriebnahme, Betrieb

5.5 Inbetriebnahme

5.5.1 Inbetriebnahme Dehnungsaufnehmer mit werkseitig eingestellter Spanne

- Das Messobjekt muss sich in einem unbelasteten Zustand befinden.
- Den Dehnungsaufnehmer an die SPS-Steuerung anschließen. Dabei beachten, dass die Steuerleitung mit Pin 4 (Com/Tara) belegt ist.
- Nullpunkt setzen, indem über die SPS-Steuerung folgendes Bit-Signal gesendet wird:

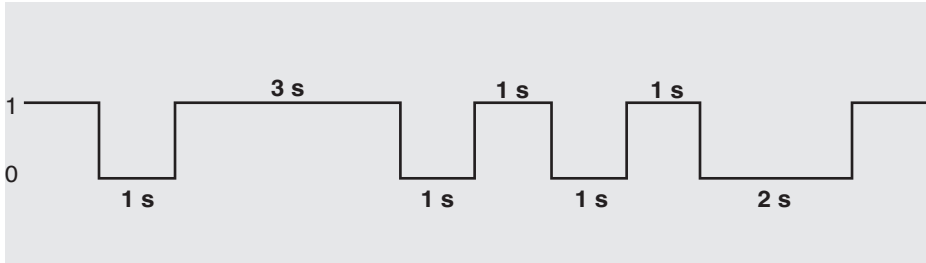


Bitsignal	Logikeingänge	Alle Logikeingänge
0	kleine Eingangsspannung ($V_{INL} \leq 0,4$)	V
1	hohe Eingangsspannung ($V_{INH} \geq 2,0$)	V

- Messobjekt bis zum Messbereichsende belasten.
- Prüfen, ob das Ausgangssignal mit dem Sollkennwert (Messbereichsende) übereinstimmt.
- Entlasten des Messobjekts und Überprüfen des Nullsignals.
- Mehrfache Wiederholung dieses Vorgangs, um optimale Messergebnisse zu erzielen.

5.5.2 Inbetriebnahme Dehnungsaufnehmer mit variabler Einstellung der Spanne

- Das Messobjekt muss sich in einem unbelasteten Zustand befinden.
- Den Dehnungsaufnehmer an die SPS-Steuerung anschließen. Dabei beachten, dass die Steuerleitung mit Pin 4 (Com/Tara) belegt ist.
- Nullpunkt setzen, indem über die SPS-Steuerung folgendes Bit-Signal gesendet wird:



5. Inbetriebnahme, Betrieb

Bitsignal	Logikeingänge	Alle Logikeingänge
0	kleine Eingangsspannung ($V_{INL} \leq 0,4$)	V
1	hohe Eingangsspannung ($V_{INH} \geq 2,0$)	V

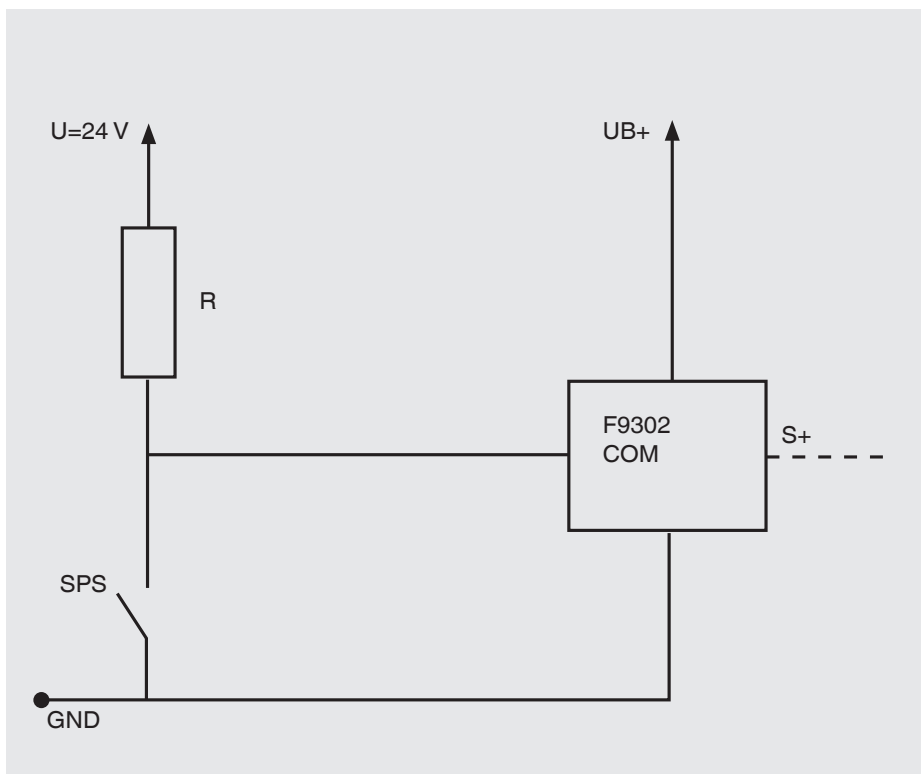
- Messobjekt bis zum Endpunkt der Kennlinie belasten.

DE

5.5.3 Anpassung des Temperaturganges

Die Anpassung des Temperaturgangs (TK) des Ausgangssignals an das angebaute Bauteil sowie die Einstellung der Grenzfrequenz ist durch werksseitige Programmierung möglich.

Anschlussplan



6. Störungen



VORSICHT!
Körperverletzungen, Sachschäden

Können Störungen mit Hilfe der aufgeführten Maßnahmen nicht beseitigt werden, den Dehnungsaufnehmer unverzüglich außer Betrieb setzen.

- ▶ Kontakt mit dem Hersteller aufnehmen.
- ▶ Bei notwendiger Rücksendung die Hinweise unter Kapitel 8.2 „Rücksendung“ beachten.

DE



Kontaktdaten siehe Kapitel 1 „Allgemeines“ oder Rückseite der Betriebsanleitung.

Störungen	Ursachen	Maßnahmen
Kein Ausgangssignal	Keine oder falsche Hilfsenergie, Stromstoß	Hilfsenergie korrigieren
	Leitungsbruch	Durchgang überprüfen
Kein oder falsches Ausgangssignal	Falsche Pinbelegung	Pinbelegung prüfen
Abweichen des Nullpunkt-Signals	Überlast, Last-Offset, falscher Anschluss	Hersteller kontaktieren
Zu hohes Offset des Nullpunktes (über 60 % der Spanne) während der Montage	Zu hohe Biege- bzw. Torsionsmomente	Montage unterbrechen. Oberfläche des Messobjektes auf Ebenheit prüfen. Einstellung des Drehmomentenschlüssels prüfen.
Gleichbleiben des Ausgangssignals bei Dehnungsänderung	Mechanische Überlastung, falsche Pinbelegung	Hersteller kontaktieren
Signalspanne schwankend	EMV-Störquellen in Umgebung, z. B. Frequenzumrichter	Gerät abschirmen; Leitungsabschirmung; Störquelle entfernen
Signalspanne fällt ab/zu klein	Mechanische Überlastung	Hersteller kontaktieren
Signalspanne nicht einstellbar	Signalspanne außerhalb des Einstellbereichs	Hersteller kontaktieren

7. Wartung und Reinigung



Kontaktaten siehe Kapitel 1 „Allgemeines“ oder Rückseite der Betriebsanleitung.

DE

7.1 Wartung

Dieses Gerät ist wartungsfrei.

Reparaturen sind ausschließlich vom Hersteller durchzuführen.
Nur Originalteile verwenden (siehe Kapitel 10 „Zubehör“).

7.2 Reinigung

1. Vor der Reinigung den Dehnungsaufnehmer ordnungsgemäß von Spannungsversorgung trennen und ausbauen.
2. Den Dehnungsaufnehmer mit einem Tuch reinigen.
Elektrische Anschlüsse nicht mit Feuchtigkeit in Berührung bringen!



VORSICHT!

Beschädigung des Gerätes

Eine unsachgemäße Reinigung führt zur Beschädigung des Gerätes!

- ▶ Keine aggressiven Reinigungsmittel verwenden.
- ▶ Keine harten und spitzen Gegenstände zur Reinigung verwenden.

8. Demontage, Rücksendung und Entsorgung

8.1 Demontage

Den Dehnungsaufnehmer entlasten und vom Strom trennen. Die Befestigungsschrauben lösen und den Dehnungsaufnehmer vom Messobjekt entfernen.

8.2 Rücksendung

Beim Versand des Gerätes unbedingt beachten:

Alle an WIKA gelieferten Geräte müssen frei von Gefahrstoffen (Säuren, Laugen, Lösungen, etc.) sein und sind daher vor der Rücksendung zu reinigen.

DE

Zur Rücksendung des Gerätes die Originalverpackung oder eine geeignete Transportverpackung verwenden.

Um Schäden zu vermeiden:

1. Das Gerät in eine antistatische Plastikfolie einhüllen.
2. Das Gerät mit dem Dämmmaterial in der Verpackung platzieren.
Zu allen Seiten der Transportverpackung gleichmäßig dämmen.
3. Wenn möglich einen Beutel mit Trocknungsmittel der Verpackung beifügen.
4. Sendung als Transport eines hochempfindlichen Messgerätes kennzeichnen.



Hinweise zur Rücksendung befinden sich in der Rubrik „Service“ auf unserer lokalen Internetseite.

8.3 Entsorgung

Durch falsche Entsorgung können Gefahren für die Umwelt entstehen. Gerätekomponenten und Verpackungsmaterialien entsprechend den landesspezifischen Abfallbehandlungs- und Entsorgungsvorschriften umweltgerecht entsorgen.



Nicht mit dem Hausmüll entsorgen. Für eine geordnete Entsorgung gemäß nationaler Vorgaben sorgen.

9. Technische Daten

Typ F9302	
Dehnung	0 ... ±200 µε, 0 ... ±500 µε, 0 ... ±1.000 µε, 0 ... ±2.000 µε
Relative Linearitätsabweichung d_{lin}	≤ ±2 % F_{nom}
Relative Spannweite in unveränderter Einbaustellung b_{rg} verschiedenen Einbaustellungen b_{rv}	0,5 % F_{nom} 0,5 % F_{nom}
Temperatureinfluss auf das Nullsignal TK_0	0,1 %/10 K
Temperatureinfluss auf den Kennwert TK_C	0,3 %/10 K
Nenntemperaturbereich $B_{T, nom}$	-20 ... +80 °C
Gebrauchstemperaturbereich $B_{T, G}$	-40 ... +80 °C fest verlegtes Kabel -25 ... +80 °C bewegtes Kabel
Lagerungstemperaturbereich $B_{T, S}$	-40 ... +85 °C
Ausgangssignal (Nennkennwert) C_{nom}	4 ... 20 mA, 3-Leiter
Hilfsenergie	DC 10 ... 36 V
Stromaufnahme	Max. 25 mA
Bürde	> 10 kΩ
Grenzfrequenz	< 2 kHz (-3 dB)
Elektrischer Anschluss	Rundsteckverbinder M12 x 1, 4 polig
Schutzart (nach IEC/EN 60529)	IP67
Vibrationsbeständigkeit (nach DIN EN 60068-2-6)	20 g, 100 h, 50...150 Hz
Elektrische Schutzarten	Verpolungs-, Überspannungs- und Kurzschlusschutz
Störemission	DIN EN 55011
Störfestigkeit	nach DIN EN 61326-1/DIN EN 61326-2-3 (optional EMV-geschützte Ausführungen)
Oberflächenbeschaffenheit	Mindestanforderung: Ebenheit 0,05 mm/ Rautiefe Rz = 16
Schraubenanzugsmoment M6	12 Nm
Gewicht	200 g

10. Zubehör

WIKA-Zubehör unter www.wika.de.

10.1 Kabel

DE

Kabel mit M12 x 1 Stecker

Kabeldose M12 x 1		Bestellnummer		
		l = 2 m	l = 5 m	l = 10 m
4-polig mit Kabel	gerade	EZE53X011010	EZE53X011012	EZE53X011016
	gewinkelt	EZE53X011011	EZE53X011013	EZE53X011017
5-polig mit Kabel	gerade	EZE53X011043	EZE53X011044	EZE53X011047
	gewinkelt	EZE53X011045	EZE53X011046	EZE53X011071

Andere Kabellängen und Kabelarten sind auf Anfrage erhältlich.



A division of the WKA Group

EU-Konformitätserklärung EU Declaration of Conformity

Dokument Nr.: ADEUKX100005.01
Document No.:

Wir erklären in alleiniger Verantwortung, dass die mit CE gekennzeichneten Produkte
We declare under our sole responsibility that the CE marked products

Typenbezeichnung: F9302*
Type Designation:

Beschreibung: Dehngsaufnehmer
Description: Strain transducer

gemäß gültiger Betriebsanleitung:
according to the valid data operating instruction: ADPR1X914022

die wesentlichen Schutzanforderungen der folgenden Richtlinien erfüllen: **Harmonisierte Normen:**
comply with the essential protection requirements of the directives: **Harmonized standards:**

2011/65/EU Gefährliche Stoffe (RoHS) EN 50581:2012
Hazardous substances (RoHS)

2014/30/EU Elektromagnetische Verträglichkeit (EMV) EN 61326-1:2013-07
Electromagnetic Compatibility (EMC) EN 61326-2-3: 2013-07
EN 55011:2018-05

Unterszeichnet für und im Namen von / Signed for and on behalf of

tecsis GmbH

Offenbach, 2019-01-15


Stefan Richter, Managing Director


Ralf Both, Engineering Manager

tecsis GmbH
Carl-Legien-Str. 40 - 44
63073 Offenbach am Main
Germany

Tel. +49 69 5906-0
Fax +49 69 5906-7760
E-Mail info@tecsis.de
www.tecsis.de

Sitz Offenbach - Offenbach am Main
Registernummer: HR B 40169
Geschäftsführer: Stefan Richter u. Axel Kalthoff