

Expansion thermometer, exhaust gas temperature controller  
Model STW15

EN

Tensionsthermometer, Abgastemperaturwächter  
Typ STW15

DE

Thermomètre à expansion, régulateur de température de gaz  
d'échappement, type STW15

FR

Termómetro de expansión, monitor de temperatura de gas de  
combustión, modelo STW15

ES



Exhaust gas temperature controller, model STW15

avroara-arm.ru  
+7 (495) 956-62-18



Part of your business

<b>EN</b>	<b>Operating instructions model STW15</b>	<b>Page</b>	<b>3 - 24</b>
<b>DE</b>	<b>Betriebsanleitung Typ STW15</b>	<b>Seite</b>	<b>25 - 45</b>
<b>FR</b>	<b>Mode d'emploi type STW15</b>	<b>Page</b>	<b>46 - 68</b>
<b>ES</b>	<b>Manual de instrucciones modelo STW15</b>	<b>Página</b>	<b>69 - 89</b>

© 03/2008 WIKA Alexander Wiegand SE & Co. KG  
 All rights reserved. / Alle Rechte vorbehalten.  
 WIKA® is a registered trademark in various countries.  
 WIKA® ist eine geschützte Marke in verschiedenen Ländern.

Prior to starting any work, read the operating instructions!  
 Keep for later use!

Vor Beginn aller Arbeiten Betriebsanleitung lesen!  
 Zum späteren Gebrauch aufbewahren!

Lire le mode d'emploi avant de commencer toute opération !  
 A conserver pour une utilisation ultérieure !

¡Leer el manual de instrucciones antes de comenzar cualquier trabajo!  
 ¡Guardar el manual para una eventual consulta!

# Contents

---

<b>1. General information</b>	<b>4</b>
<b>2. Design and function</b>	<b>5</b>
<b>3. Safety</b>	<b>6</b>
<b>4. Transport, packaging and storage</b>	<b>11</b>
<b>5. Commissioning, operation</b>	<b>12</b>
<b>6. Faults</b>	<b>17</b>
<b>7. Maintenance and cleaning</b>	<b>19</b>
<b>8. Dismounting, return and disposal</b>	<b>20</b>
<b>9. Specifications</b>	<b>23</b>
<b>10. Special conditions for safe use</b>	<b>23</b>

---

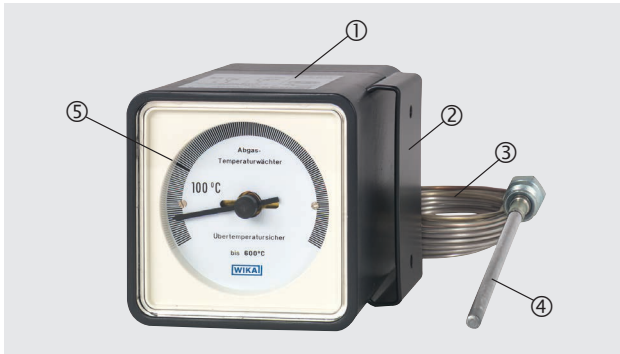
## 1. General information

EN

- The model STW15 exhaust gas temperature controller described in the operating instructions has been manufactured using state-of-the-art technology. All components are subject to stringent quality and environmental criteria during production. Our management systems are certified to ISO 9001 and ISO 14001.
- These operating instructions contain important information on handling the instrument. Working safely requires that all safety instructions and work instructions are observed.
- Observe the relevant local accident prevention regulations and general safety regulations for the instrument's range of use.
- The operating instructions are part of the product and must be kept in the immediate vicinity of the instrument and readily accessible to skilled personnel at any time. Pass the operating instructions on to the next operator or owner of the instrument.
- Skilled personnel must have carefully read and understood the operating instructions prior to beginning any work.
- The general terms and conditions contained in the sales documentation shall apply.
- Subject to technical modifications.
- Further information:
  - Internet address: [www.wika.de](http://www.wika.de) / [www.wika.com](http://www.wika.com)
  - Relevant data sheet: TV 28.05
  - Application consultant: Tel.: +49 9372 132-0  
Fax: +49 9372 132-406  
[info@wika.de](mailto:info@wika.de)

### 2. Design and function

#### 2.1 Overview



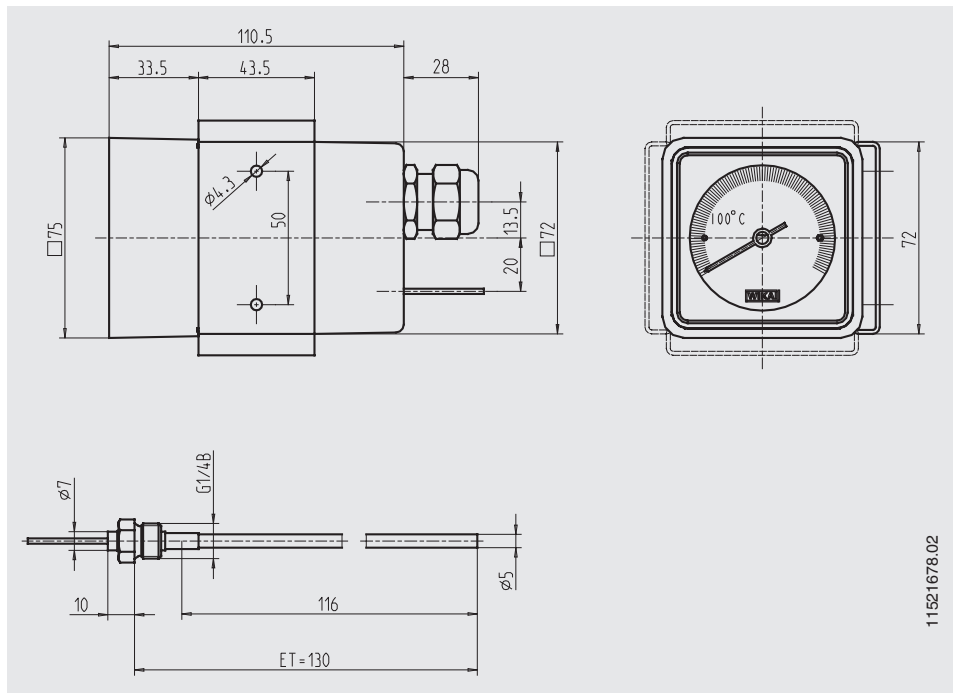
- ① Case
- ② Mounting bracket
- ③ Measuring line
- ④ Temperature probe
- ⑤ Marking of factory-preset switch point, not adjustable

#### 2.2 Description

The closed measuring system with gas filling consists of a temperature probe, a measuring line and a Bourdon tube. Heat applied to the temperature probe produces change in pressure in the closed system. This results in deflection of the Bourdon tube which is displayed via the the pointer shaft.

The model STW15 exhaust gas temperature controller is used for flue-gas monitoring in heat generation plant. When a fixed switch point is reached or when there is a measuring line break, the micro switch triggers a switching operation. This action is carried out by means of a shifting disc that is arranged at the pointer shaft. The exhaust-gas temperature controller switches back automatically after the specified safe operating condition has been reached.

### 2.3 Dimensions in mm



### 2.4 Scope of delivery

Cross-check scope of delivery with delivery note.

## 3. Safety

### 3.1 Explanation of symbols



#### **WARNING!**

... indicates a potentially dangerous situation that can result in serious injury or death, if not avoided.



#### **CAUTION!**

... indicates a potentially dangerous situation that can result in light injuries or damage to property or the environment, if not avoided.



### **DANGER!**

... identifies hazards caused by electrical power. Should the safety instructions not be observed, there is a risk of serious or fatal injury.



### **WARNING!**

... indicates a potentially dangerous situation that can result in burns, caused by hot surfaces or liquids, if not avoided.



### **Information**

... points out useful tips, recommendations and information for efficient and trouble-free operation.

### **3.2 Intended use**

The model STW15 exhaust gas temperature controller is suitable as a temperature-dependent control instrument model ATW in the operating media of flue gases and air (EN 14597, operating principle 2B, 2K, 2L, 2N, 2P). When the temperature at the temperature probe exceeds the non-adjustable set point, it will interrupt a control circuit. The exhaust gas temperature controller switches back automatically after the specified safe operating condition has been reached.

These instruments are not approved for use in hazardous areas!

The instruments have been designed and built solely for the intended use described here, and may only be used accordingly.

The technical specifications contained in these operating instructions must be observed. Improper handling or operation of the instrument outside of its technical specifications requires the instrument to be taken out of service immediately and inspected by an authorised WIKA service engineer.

The manufacturer shall not be liable for claims of any type based on operation contrary to the intended use.

### 3.3 Improper use



#### **WARNING!**

#### **Injuries through improper use**

Improper use of the instrument can lead to hazardous situations and injuries.

- ▶ Refrain from unauthorised modifications to the instrument.
- ▶ Do not use the instrument within hazardous areas.
- ▶ Do not use the instrument with abrasive or viscous media.

Any use beyond or different to the intended use is considered as improper use.

### 3.4 Responsibility of the operator

The instrument is used in the industrial sector. The operator is therefore responsible for legal obligations regarding safety at work.

The safety instructions within these operating instructions, as well as the safety, accident prevention and environmental protection regulations for the application area must be maintained.

The operator is obliged to maintain the product label in a legible condition.

To ensure safe working on the instrument, the operating company must ensure

- that suitable first-aid equipment is available and aid is provided whenever required.
- that the operating personnel are regularly instructed in all topics regarding work safety, first aid and environmental protection and know the operating instructions and in particular, the safety instructions contained therein.
- that the instrument is suitable for the particular application in accordance with its intended use.
- that personal protective equipment is available.



### 3.5 Personnel qualification



#### **WARNING!**

#### **Risk of injury should qualification be insufficient**

Improper handling can result in considerable injury and damage to equipment.

- ▶ The activities described in these operating instructions may only be carried out by skilled personnel who have the qualifications described below.

#### **Skilled personnel**

Skilled personnel, authorised by the operator, are understood to be personnel who, based on their technical training, knowledge of measurement and control technology and on their experience and knowledge of country-specific regulations, current standards and directives, are capable of carrying out the work described and independently recognising potential hazards.

#### **Operating personnel**

The personnel trained by the operator are understood to be personnel who, based on their education, knowledge and experience, are capable of carrying out the work described and independently recognising potential hazards.

Special operating conditions require further appropriate knowledge, e.g. of aggressive media.

### 3.6 Personal protective equipment

The personal protective equipment is designed to protect the skilled personnel from hazards that could impair their safety or health during work. When carrying out the various tasks on and with the instrument, the skilled personnel must wear personal protective equipment.

#### **Follow the instructions displayed in the work area regarding personal protective equipment!**

The requisite personal protective equipment must be provided by the operating company.



#### **Wear safety goggles!**

Protect eyes from flying particles and liquid splashes.



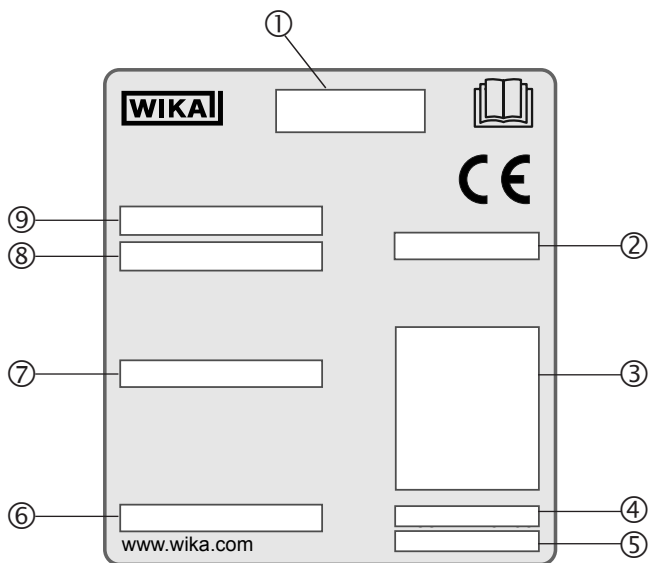
#### **Wear protective gloves!**

Protect hands from friction, abrasion, cuts or deep injuries and also from contact with hot surfaces and aggressive media.

## 3.7 Labelling, safety marks

### Product label

EN



- ① Model
- ② Switching power
- ③ Pin assignment
- ④ IP ingress protection  
Permissible ambient temperature
- ⑤ Serial number
- ⑥ Date of manufacture (DD.MM.YYYY)
- ⑦ Switch point in °C (factory-preset switch point)
- ⑧ Production order
- ⑨ Article number



Before mounting and commissioning the instrument, ensure you read the operating instructions!

### 4. Transport, packaging and storage

#### 4.1 Transport

Check the instrument for any damage that may have been caused by transport. Obvious damage must be reported immediately.



#### **CAUTION!**

#### **Damage through improper transport**

With improper transport, a high level of damage to property can occur.

- ▶ When unloading packed goods upon delivery as well as during internal transport, proceed carefully and observe the symbols on the packaging.
- ▶ With internal transport, observe the instructions in chapter 4.2 “Packaging and storage”.

If the instrument is transported from a cold into a warm environment, the formation of condensation may result in instrument malfunction. Before putting it back into operation, wait for the instrument temperature and the room temperature to equalise.

#### 4.2 Packaging and storage

Do not remove packaging until just before mounting.

Keep the packaging as it will provide optimum protection during transport (e.g. change in installation site, sending for repair).

#### **Permissible conditions at the place of storage:**

- Storage temperature: -40 ... +60 °C
- Humidity: 35 ... 85 % r. h. (no condensation)

#### **Avoid exposure to the following factors:**

- Direct sunlight or proximity to hot objects
- Mechanical vibration, mechanical shock (putting it down hard)
- Soot, vapour, dust and corrosive gases
- Hazardous environments, flammable atmospheres

Store the instrument in its original packaging in a location that fulfils the conditions listed above. If the original packaging is not available, pack and store the instrument as described below:

1. Pack the instrument in a plastic film.
2. Place the instrument, along with the shock-absorbent material, in the packaging.
3. If stored for a prolonged period of time (more than 30 days), place a bag containing a desiccant inside the packaging.

### 5. Commissioning, operation

**Personnel:** Skilled personnel

**Protective equipment:** Safety goggles, protective gloves

**Tools:** Screwdriver, spanner

EN



#### **WARNING!**

#### **Physical injuries and damage to property and the environment caused by hazardous media**

Upon contact with hazardous media (e.g. oxygen, acetylene, flammable or toxic substances), harmful media (e.g. corrosive, toxic, carcinogenic, radioactive), and also with refrigeration plants and compressors, there is a danger of physical injuries and damage to property and the environment. Should a failure occur, aggressive media with extremely high temperature and under high pressure or vacuum may be present at the instrument.

- ▶ For these media, in addition to all standard regulations, the appropriate existing codes or regulations must also be followed.
- ▶ Wear the requisite protective equipment (see chapter 3.6 “Personal protective equipment”).



#### **WARNING!**

#### **Injuries and damage to property and the environment caused by escaping liquid xylene after damage to the measuring line**

Upon contact with escaping liquid xylene, there is a risk of injury caused by inhalation or contact with skin. In addition, xylene is a flammable material and thus can lead to damage to property and the environment.

- ▶ For this filling medium, in addition to all general regulations, the relevant provisions must also be observed.
- ▶ Wear the requisite protective equipment (see chapter 3.6 “Personal protective equipment”).



#### **DANGER!**

#### **Danger to life caused by electric current**

Upon contact with live parts, there is a direct danger to life.

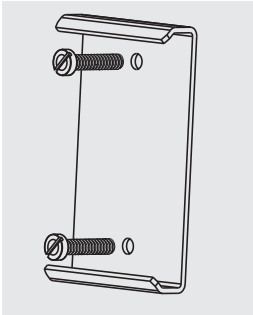
- ▶ The instrument may only be installed and mounted by skilled personnel.
- ▶ Operation using a defective power supply unit (e.g. short circuit from the mains voltage to the output voltage) can result in life-threatening voltages at the instrument!
- ▶ Perform connection work in de-energised state only.

## 5. Commissioning, operation

### 5.1 Mounting

The special design of the mounting bracket allows a very flexible installation. Select the mounting point such that the instrument is clearly visible and the ability to run connection cable and measuring line is ensured.

1. For fixing the mounting bracket, use the accompanying mounting accessories. Depending on the fixing base, there are 2 M4 x 30 semi-circular wood screws (incl. D6 x 30 wall plugs) available and also 2 cylindrical self-tapping screws, DIN 7971 C 4.2 x 9.5.

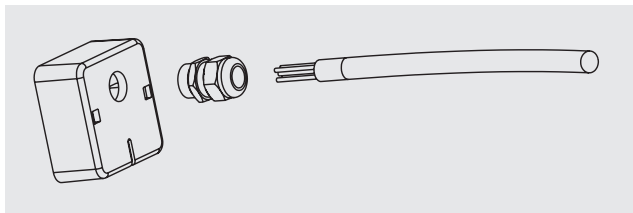


2. ■ Screw the PG gland (PG 13.5) into the protection cap.
  - Prepare the cable and pull it through the PG gland into the protection cap.
  - The connection leads must also be suitable for the supplied cable gland (PG 13.5: Clamping range 6 ... 12 mm).
  - Connect the stranded wire according to the pin assignment indicated on the product label. For this, observe the numbering of the connectors on the rear of the case.
  - The electrical connection must only be made by qualified skilled personnel.
  - Protective conductor connection  
Use protective conductors with end splices. Insert the stranded wire into the terminal and fix by means of the mounting screw.
  - Terminal connection  
Use stranded wire with end splices. Insert it into the provided terminals and fix by means of the mounting screw. Conductor cross-section max. 1.5 mm<sup>2</sup>
  - Plug connection (blade terminal 0.8 x 6.3)  
Use the stranded wire with a suitable blade receptacle. Insert it into the blade terminals provided.

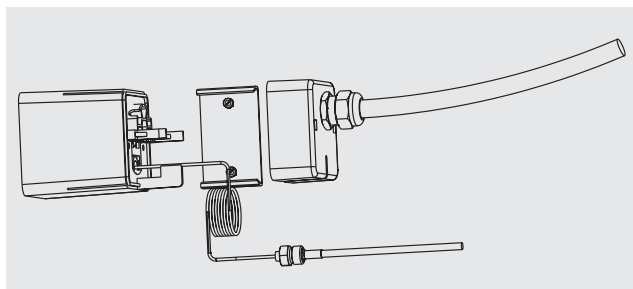
## 5. Commissioning, operation

The instruments do not provide for incorporated overcurrent protectors. Provide suitable protection systems in order to prevent the contacts from welding through overload.

EN



3. ■ Connect the connection cable in accordance with the connection diagram.
  - Fully slide the instrument onto the installed mounting bracket.
  - Attach and engage the protection cap and tighten the PG gland until sealing is achieved (recommended tightening torque: 4 Nm).



4. Connect the measuring line and cable.
5. Mount the probe into the exhaust pipe.

### 5.2 Mounting the probe

Before mounting the probe, check whether the probe material used (specified in the delivery note) is chemically resistant/neutral to the medium being measured.

If possible, the entire length of the stem should be exposed to the temperature being measured.

A thermowell must not be used because of its influence on the response time.

Errors in thermal conduction occur if the area where the temperature is to be measured is so small, that the mass of the temperature probe acts as thermal capacity. Errors in thermal conduction may also occur if the immersion depth is insufficient, if the mounting fittings are connected to a good thermal conductor (metal plate or similar) and there is a considerable difference in temperature between the measuring and mounting element temperatures.

### 5.3 Connection without the use of a measuring line

The smallest bending radius of the measuring line should not be less than 6 mm. Bending or interruption of the measuring line lead to failure of the instrument.

If there are shocks or vibrations at the installation site of the probe, form several freely swinging loops between the last fixing point and the probe. Any excess length must also be coiled, since cutting the measuring line would render the instrument unserviceable.

Avoid welding or soldering and permanent fastening of the measuring line as this could seriously damage the measuring line and impair the operation of the instrument.

The measuring line should not be installed close to cold or heat sources.

### 5.4 Case mounting

The case ingress protection is indicated on the product label and must be observed during installation.

If possible, mount the indicator case at a shock- and vibration-free location, but observe at least the following limit values:

Frequency range < 150 Hz

Acceleration < 0.7 g (7 m/s<sup>2</sup>)

A flexible connection line between the measuring point and thermometer can be used to isolate the installation from the measuring point.

To ensure the best measurement accuracy possible, the ambient temperature on the indicator case should be between 0 ... 40 °C. Higher or lower ambient temperatures can cause indication errors.

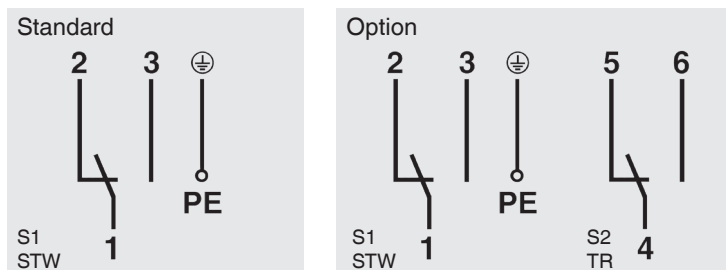
## 5. Commissioning, operation

### 5.5 Electrical connection

- The electrical connection must only be made by qualified skilled personnel.
- Connect the switch via connection terminals (screw terminals or blade receptacle 6.3).
- Screw terminal: Conductor cross-section max. 1.5 mm<sup>2</sup> (always use end splices if flexible stranded wires are used)
- The terminal assignment is stated on the product label of the thermometer.

The instruments do not provide for incorporated overcurrent protectors.

In order to prevent the contacts from welding through overload, suitable protection systems must be implemented by the operator.



1 + 2 normally closed (monitor function)

1 + 3 normally open

Should only be used for control or signalling functions. Does not offer any sentinel function or measuring line break monitoring.



### 6. Faults

**Personnel:** Skilled personnel or service personnel

**Protective equipment:** Safety goggles, protective gloves



**CAUTION!**

**Physical injuries and damage to property and the environment**

If faults cannot be eliminated by means of the listed measures, the instrument must be taken out of operation immediately.

- ▶ Ensure that pressure, temperature or signal is no longer present and protect against accidental commissioning.
- ▶ Contact the manufacturer.
- ▶ If a return is needed, please follow the instructions given in chapter 8.2 “Return”.



**WARNING!**

**Physical injuries and damage to property and the environment caused by hazardous media**

Upon contact with hazardous media (e.g. oxygen, acetylene, flammable or toxic substances), harmful media (e.g. corrosive, toxic, carcinogenic, radioactive), and also with refrigeration plants and compressors, there is a danger of physical injuries and damage to property and the environment. Aggressive media with extremely high temperatures and under high pressure or vacuum may be present at the instrument.

- ▶ For these media, in addition to all standard regulations, the appropriate existing codes or regulations must also be followed.
- ▶ Wear the requisite protective equipment (see chapter 3.6 “Personal protective equipment”).



**WARNING!**

**Injuries and damage to property and the environment caused by escaping liquid xylene after damage to the measuring line**

Upon contact with escaping liquid xylene, there is a risk of injury caused by inhalation or contact with skin. In addition, xylene is a flammable material and thus can lead to damage to property and the environment.

- ▶ For this filling medium, in addition to all general regulations, the relevant provisions must also be observed.
- ▶ Wear the requisite protective equipment (see chapter 3.6 “Personal protective equipment”).



For contact details see chapter 1 “General information” or the back page of the operating instructions.

## 6. Faults

Faults	Causes	Measures
<b>Wrong measured value display</b>	Influence of the ambient temperature on case and/or measuring line too strong	Re-position the case and/or measuring line or isolate them from the influence of cold/heat effects from the outside
	Zero point offset	Send the measuring instrument back to the manufacturer
	Probe not completely immersed into the medium being measured	Correct mounting situation
<b>The instrument does not switch off at the desired temperature</b>	Measuring instrument used outside the specification (defective micro switch)	Send the measuring instrument back to the manufacturer
	Wrong measured value display	Send the measuring instrument back to the manufacturer
	Wrong electrical connection	Correct the connection
<b>Instrument inoperable</b>	Loose electrical connection	Check all electrical connections
	Cable break or short circuit	Check power supply
	Leakage in the measuring line	Send the measuring instrument back to the manufacturer
<b>Actual value pointer below the start of the measuring range, no reaction to temperature change</b>	Measuring line break	Send the measuring instrument back to the manufacturer
<b>Monitored plant goes into error mode</b>	Measuring line break	Send the measuring instrument back to the manufacturer
	Temperature of the medium to be monitored too high	Eliminate the cause of the overheating, restore the safe operating condition, STW15 resets automatically

### 7. Maintenance and cleaning

**Personnel:** Skilled personnel or service personnel

**Tools:** Temperature calibrator



For contact details see chapter 1 “General information” or the back page of the operating instructions.

#### 7.1 Maintenance

This instrument is maintenance-free.

An annual functional check is recommended.

Repairs must only be carried out by the manufacturer.

#### 7.2 Cleaning



##### **CAUTION!**

##### **Physical injuries and damage to property and the environment**

Improper cleaning may lead to physical injuries and damage to property and the environment. Residual media in the dismantled instrument can result in a risk to persons, the environment and equipment.

- ▶ Carry out the cleaning process as described below.

1. Before cleaning the instrument, ensure that pressure, temperature or signal is no longer present and protect against accidental commissioning.
2. Use the requisite protective equipment.
3. Clean the instrument with a moist cloth.

Electrical connections must not come into contact with moisture!



##### **CAUTION!**

##### **Damage to property**

Improper cleaning may lead to damage to the instrument!

- ▶ Do not use any aggressive cleaning agents.
- ▶ Do not use any pointed and hard objects for cleaning.

4. Wash or clean the dismantled instrument, in order to protect persons and the environment from exposure to residual media.

### 8. Dismounting, return and disposal

**Personnel:** Skilled personnel

**Protective equipment:** Safety goggles, protective gloves

**Tools:** Screwdriver, open-ended spanner

#### 8.1 Dismounting



**WARNING!**

**Physical injuries and damage to property and the environment through residual media**

Residual media in the dismantled instrument can result in a risk to persons, the environment and equipment.

Upon contact with hazardous media (e.g. oxygen, acetylene, flammable or toxic substances), harmful media (e.g. corrosive, toxic, carcinogenic, radioactive), and also with refrigeration plants and compressors, there is a danger of physical injuries and damage to property and the environment.

- ▶ Wash or clean the dismantled instrument, in order to protect persons and the environment from exposure to residual media.
- ▶ Before storage of the dismantled instrument (following use) wash or clean it, in order to protect persons and the environment from exposure to residual media.
- ▶ Wear the requisite protective equipment (see chapter 3.6 “Personal protective equipment”).
- ▶ Observe the information in the material safety data sheet for the corresponding medium.



**WARNING!**

**Injuries and damage to property and the environment caused by escaping liquid xylene after damage to the measuring line**

Upon contact with escaping liquid xylene, there is a risk of injury caused by inhalation or contact with skin. In addition, xylene is a flammable material and thus can lead to damage to property and the environment.

- ▶ For this filling medium, in addition to all general regulations, the relevant provisions must also be observed.
- ▶ Wear the requisite protective equipment (see chapter 3.6 “Personal protective equipment”).



**WARNING!**

**Risk of burns**

During dismantling there is a risk of dangerously hot media escaping.

- ▶ Let the instrument cool down sufficiently before dismantling it!

## 8. Dismounting, return and disposal



### **DANGER!**

#### **Danger to life caused by electric current**

Upon contact with live parts, there is a direct danger to life.

- ▶ The dismounting of the instrument may only be carried out by skilled personnel.
- ▶ Only dismount the instrument in an unpowered state.



### **WARNING!**

#### **Physical injury**

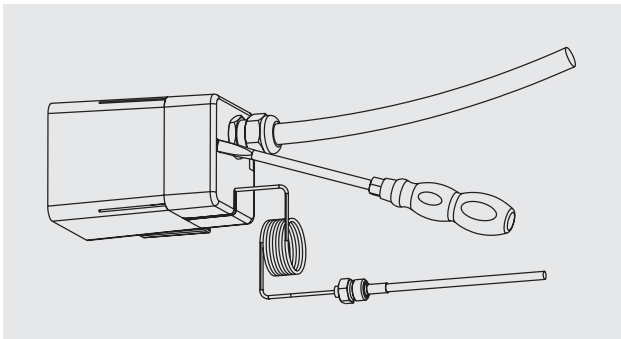
When dismounting, there is a danger from aggressive media and high pressures.

- ▶ Wear the requisite protective equipment (see chapter 3.6 “Personal protective equipment”).
- ▶ Observe the information in the material safety data sheet for the corresponding medium.
- ▶ Only dismount the instrument in an unpowered state.

#### 1. Loosen the PG gland

Insert the screwdriver into the opening of the protection cap and turn it slightly to release the spring clip while lifting and holding the protection cap. Repeat this on the second opening.

#### 2. Remove the protection cap.



## 8. Dismounting, return and disposal

### 8.2 Return

#### Strictly observe the following when shipping the instrument:

All instruments delivered to WIKA must be free from any kind of hazardous substances (acids, bases, solutions, etc.) and must therefore be cleaned before being returned.



#### **WARNING!**

#### **Physical injuries and damage to property and the environment through residual media**

Residual media in the dismantled instrument can result in a risk to persons, the environment and equipment.

- ▶ With hazardous substances, include the material safety data sheet for the corresponding medium.
- ▶ Clean the instrument, see chapter 7.2 “Cleaning”.

When returning the instrument, use the original packaging or a suitable transport packaging.

#### **To avoid damage:**

1. Pack the instrument in a plastic film.
2. Place the instrument, along with the shock-absorbent material, in the packaging.  
Place shock-absorbent material evenly on all sides of the transport packaging.
3. If possible, place a bag containing a desiccant inside the packaging.



Information on returns can be found under the heading “Service” on our local website.

### 8.3 Disposal

Incorrect disposal can put the environment at risk.

Dispose of instrument components and packaging materials in an environmentally compatible way and in accordance with the country-specific waste disposal regulations.

## 9. Specifications

Specifications	Model STW15
Nominal voltage	250 V / 50 Hz, 5 A, inductive load 0.5 A
Fuse connected in series	3 A
Operating principle per EN 14597	2B, 2K, 2L, 2N, 2P
Permissible temperatures <ul style="list-style-type: none"> <li>■ Operating temperature at the probe</li> <li>■ Ambient temperature at case</li> <li>■ Storage and transport</li> </ul>	max. 600 °C 0 ... 70 °C -40 ... +60 °C
Switch point	Fixed (see product label)
Switching differential	approx. 12 K
Time constant for air as the medium	< 25 seconds
Operating pressure at the probe	Unpressurised 0 bar
Operating medium	Air and flue gases
Ingress protection	IP50

For further specifications see WIKA data sheet TV 28.05 and the order documentation.

## 10. Special conditions for safe use

- The IP ingress protection required for the application must be ensured through the installation.
- The output contact of the exhaust gas temperature controller must be fuse-protected to a maximum of 3 A.
- The smallest allowable bending radius for the capillary is 6 mm.



EN



# Inhalt

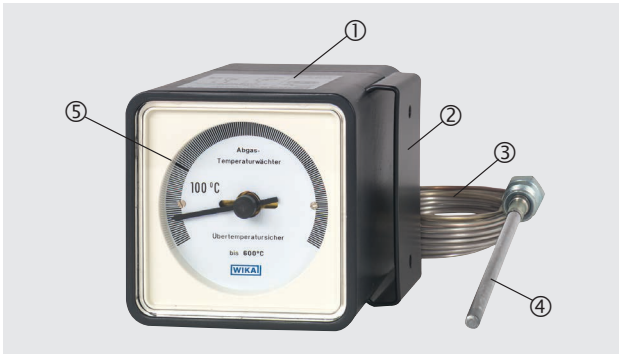
<b>1. Allgemeines</b>	<b>26</b>
<b>2. Aufbau und Funktion</b>	<b>27</b>
<b>3. Sicherheit</b>	<b>28</b>
<b>4. Transport, Verpackung und Lagerung</b>	<b>33</b>
<b>5. Inbetriebnahme, Betrieb</b>	<b>34</b>
<b>6. Störungen</b>	<b>39</b>
<b>7. Wartung und Reinigung</b>	<b>41</b>
<b>8. Demontage, Rücksendung und Entsorgung</b>	<b>42</b>
<b>9. Technische Daten</b>	<b>45</b>
<b>10. Besondere Bedingungen für den sicheren Gebrauch</b>	<b>45</b>

## 1. Allgemeines

- Der in der Betriebsanleitung beschriebene Abgastemperaturwächter Typ STW15 wird nach dem aktuellen Stand der Technik gefertigt. Alle Komponenten unterliegen während der Fertigung strengen Qualitäts- und Umweltkriterien. Unsere Managementsysteme sind nach ISO 9001 und ISO 14001 zertifiziert.
- Diese Betriebsanleitung gibt wichtige Hinweise zum Umgang mit dem Gerät. Voraussetzung für sicheres Arbeiten ist die Einhaltung aller angegebenen Sicherheitshinweise und Handlungsanweisungen.
- Die für den Einsatzbereich des Gerätes geltenden örtlichen Unfallverhütungsvorschriften und allgemeinen Sicherheitsbestimmungen einhalten.
- Die Betriebsanleitung ist Produktbestandteil und muss in unmittelbarer Nähe des Gerätes für das Fachpersonal jederzeit zugänglich aufbewahrt werden. Betriebsanleitung an nachfolgende Benutzer oder Besitzer des Gerätes weitergeben.
- Das Fachpersonal muss die Betriebsanleitung vor Beginn aller Arbeiten sorgfältig durchgelesen und verstanden haben.
- Es gelten die allgemeinen Geschäftsbedingungen in den Verkaufsunterlagen.
- Technische Änderungen vorbehalten.
- Weitere Informationen:
  - Internet-Adresse: [www.wika.de](http://www.wika.de) / [www.wika.com](http://www.wika.com)
  - Zugehöriges Datenblatt: TV 28.05
  - Anwendungsberater: Tel.: +49 9372 132-0  
Fax: +49 9372 132-406  
[info@wika.de](mailto:info@wika.de)

### 2. Aufbau und Funktion

#### 2.1 Überblick



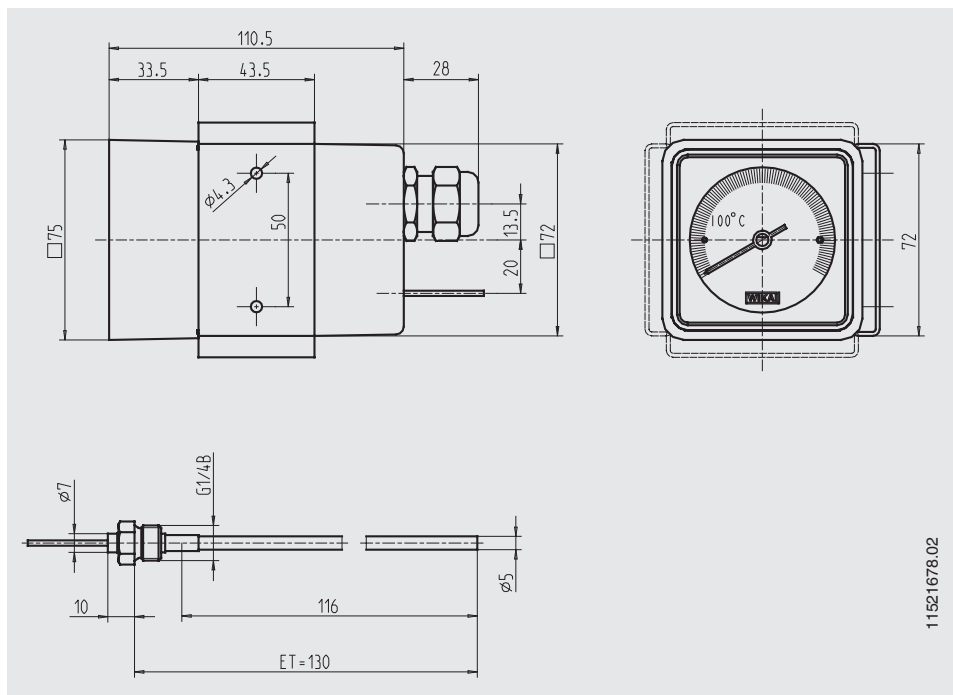
- ① Gehäuse
- ② Befestigungsbügel
- ③ Messleitung
- ④ Temperaturfühler
- ⑤ Kennzeichnung werkseitig voreingestellter Schalterpunkt, nicht verstellbar

#### 2.2 Beschreibung

Das gasgefüllte, geschlossene Messsystem besteht aus einem Temperaturfühler, Messleitung und Bourdonfeder. Die Wärmebeaufschlagung am Temperaturfühler erzeugt eine Druckänderung im geschlossenen System. Dies bewirkt eine Auslenkung der Bourdonfeder, die durch eine Zeigerwelle zur Anzeige gebracht wird.

Der Abgastemperaturwächter Typ STW15 dient zur Rauchgas-Überwachung von wärmeerzeugenden Anlagen. Wird ein fest eingestellter Schalterpunkt erreicht oder liegt ein Messleitungsbruch vor, löst der Mikroschalter einen Schaltvorgang aus. Dies geschieht über eine an der Zeigerwelle angeordnete Schaltscheibe. Der Abgastemperaturwächter schaltet nach Erreichen des vorgegebenen betriebssicheren Zustandes selbständig zurück.

### 2.3 Abmessungen in mm



### 2.4 Lieferumfang

Lieferumfang mit dem Lieferschein abgleichen.

## 3. Sicherheit

### 3.1 Symbolerklärung



#### WARNUNG!

... weist auf eine möglicherweise gefährliche Situation hin, die zum Tod oder zu schweren Verletzungen führen kann, wenn sie nicht gemieden wird.



#### VORSICHT!

... weist auf eine möglicherweise gefährliche Situation hin, die zu geringfügigen oder leichten Verletzungen bzw. Sach- und Umweltschäden führen kann, wenn sie nicht gemieden wird.



### **GEFAHR!**

... kennzeichnet Gefährdungen durch elektrischen Strom. Bei Nichtbeachtung der Sicherheitshinweise besteht die Gefahr schwerer oder tödlicher Verletzungen.



### **WARNUNG!**

... weist auf eine möglicherweise gefährliche Situation hin, die durch heiße Oberflächen oder Flüssigkeiten zu Verbrennungen führen kann, wenn sie nicht gemieden wird.



### **Information**

... hebt nützliche Tipps und Empfehlungen sowie Informationen für einen effizienten und störungsfreien Betrieb hervor.

### **3.2 Bestimmungsgemäße Verwendung**

Der Abgastemperaturwächter Typ STW15 ist geeignet als temperaturabhängiges Regel- und Steuergerät Typ ATW in den Betriebsmessstoffen Abgas und Luft (EN 14597, Wirkungsweisen 2B, 2K, 2L, 2N, 2P). Wenn die Temperatur am Wärmefühler den fest eingestellten Sollwert übersteigt, unterbricht er einen Steuerstromkreis. Der Abgastemperaturwächter schaltet nach Erreichen des vorgegebenen betriebssicheren Zustandes selbständig zurück.

Diese Geräte sind nicht für den Einsatz in explosionsgefährdeten Bereichen zugelassen!

Die Geräte sind ausschließlich für den hier beschriebenen bestimmungsgemäßen Verwendungszweck konzipiert und konstruiert und dürfen nur dementsprechend verwendet werden.

Die technischen Spezifikationen in dieser Betriebsanleitung sind einzuhalten. Eine unsachgemäße Handhabung oder ein Betreiben des Gerätes außerhalb der technischen Spezifikationen macht die sofortige Stilllegung und Überprüfung durch einen autorisierten WIKA-Servicemitarbeiter erforderlich.

Ansprüche jeglicher Art aufgrund von nicht bestimmungsgemäßer Verwendung sind ausgeschlossen.

### 3.3 Fehlgebrauch



#### **WARNUNG!**

#### **Verletzungen durch Fehlgebrauch**

Fehlgebrauch des Gerätes kann zu gefährlichen Situationen und Verletzungen führen.

- ▶ Eigenmächtige Umbauten am Gerät unterlassen.
- ▶ Gerät nicht in explosionsgefährdeten Bereichen einsetzen.
- ▶ Gerät nicht für abrasive und viskose Messstoffe verwenden.

Jede über die bestimmungsgemäße Verwendung hinausgehende oder andersartige Benutzung gilt als Fehlgebrauch.

### 3.4 Verantwortung des Betreibers

Das Gerät wird im gewerblichen Bereich eingesetzt. Der Betreiber unterliegt daher den gesetzlichen Pflichten zur Arbeitssicherheit.

Die Sicherheitshinweise dieser Betriebsanleitung, sowie die für den Einsatzbereich des Gerätes gültigen Sicherheits-, Unfallverhütungs- und Umweltschutzvorschriften einhalten.

Der Betreiber ist verpflichtet das Typenschild lesbar zu halten.

Für ein sicheres Arbeiten am Gerät muss der Betreiber sicherstellen,

- dass eine entsprechende Erste-Hilfe-Ausrüstung vorhanden ist und bei Bedarf jederzeit Hilfe zur Stelle ist.
- dass das Bedienpersonal regelmäßig in allen zutreffenden Fragen von Arbeitssicherheit, Erste Hilfe und Umweltschutz unterwiesen wird, sowie die Betriebsanleitung und insbesondere die darin enthaltenen Sicherheitshinweise kennt.
- dass das Gerät gemäß der bestimmungsgemäßen Verwendung für den Anwendungsfall geeignet ist.
- dass die persönliche Schutzausrüstung verfügbar ist.

### 3.5 Personalqualifikation



#### **WARNUNG!**

#### **Verletzungsgefahr bei unzureichender Qualifikation**

Unschlagmäßiger Umgang kann zu erheblichen Personen- und Sachschäden führen.

- ▶ Die in dieser Betriebsanleitung beschriebenen Tätigkeiten nur durch Fachpersonal nachfolgend beschriebener Qualifikation durchführen lassen.

DE

#### **Fachpersonal**

Das vom Betreiber autorisierte Fachpersonal ist aufgrund seiner fachlichen Ausbildung, seiner Kenntnisse der Mess- und Regelungstechnik und seiner Erfahrungen sowie Kenntnis der landesspezifischen Vorschriften, geltenden Normen und Richtlinien in der Lage, die beschriebenen Arbeiten auszuführen und mögliche Gefahren selbstständig zu erkennen.

#### **Bedienpersonal**

Das vom Betreiber geschulte Personal ist aufgrund seiner Bildung, Kenntnisse und Erfahrungen in der Lage, die beschriebenen Arbeiten auszuführen und mögliche Gefahren selbstständig zu erkennen.

Spezielle Einsatzbedingungen verlangen weiteres entsprechendes Wissen, z. B. über aggressive Medien.

### 3.6 Persönliche Schutzausrüstung

Die persönliche Schutzausrüstung dient dazu, das Fachpersonal gegen Gefahren zu schützen, die dessen Sicherheit oder Gesundheit bei der Arbeit beeinträchtigen könnten. Beim Ausführen der verschiedenen Arbeiten an und mit dem Gerät muss das Fachpersonal persönliche Schutzausrüstung tragen.

#### **Im Arbeitsbereich angebrachte Hinweise zur persönlichen Schutzausrüstung befolgen!**

Die erforderliche persönliche Schutzausrüstung muss vom Betreiber zur Verfügung gestellt werden.



#### **Schutzbrille tragen!**

Schutz der Augen vor umherfliegenden Teilen und Flüssigkeitsspritzern.

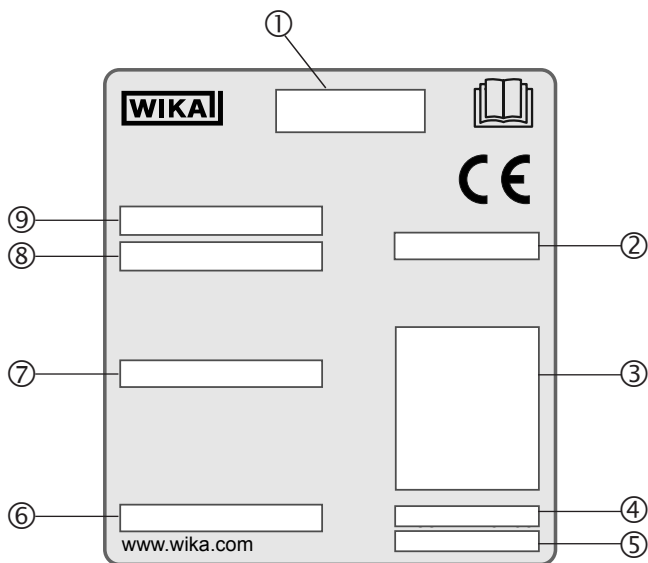


#### **Schutzhandschuhe tragen!**

Schutz der Hände vor Reibung, Abschürfung, Einstichen oder tieferen Verletzungen sowie vor Berührung mit heißen Oberflächen und aggressiven Medien.

### 3.7 Beschilderung, Sicherheitskennzeichnungen

#### Typenschild



- ① Typ
- ② Schaltleistung
- ③ Anschlussbelegung
- ④ IP-Schutzart  
Zulässige Umgebungstemperatur
- ⑤ Seriennummer
- ⑥ Herstellungsdatum (TT.MM.JJJJ)
- ⑦ Schaltpunkt in °C (werkseitig voreingestellter Schaltpunkt)
- ⑧ Produktionsauftrag
- ⑨ Artikelnummer



Vor Montage und Inbetriebnahme des Gerätes unbedingt die Betriebsanleitung lesen!



### 4. Transport, Verpackung und Lagerung

#### 4.1 Transport

Gerät auf eventuell vorhandene Transportschäden untersuchen.  
Offensichtliche Schäden unverzüglich mitteilen.



#### **VORSICHT!**

#### **Beschädigungen durch unsachgemäßen Transport**

Bei unsachgemäßem Transport können Sachschäden in erheblicher Höhe entstehen.

- ▶ Beim Abladen der Packstücke bei Anlieferung sowie innerbetrieblichem Transport vorsichtig vorgehen und die Symbole auf der Verpackung beachten.
- ▶ Bei innerbetrieblichem Transport die Hinweise unter Kapitel 4.2 „Verpackung und Lagerung“ beachten.

Wird das Gerät von einer kalten in eine warme Umgebung transportiert, so kann durch Kondensatbildung eine Störung der Gerätefunktion eintreten. Vor einer erneuten Inbetriebnahme die Angleichung der Gerätetemperatur an die Raumtemperatur abwarten.

#### 4.2 Verpackung und Lagerung

Verpackung erst unmittelbar vor der Montage entfernen.

Die Verpackung aufbewahren, denn diese bietet bei einem Transport einen optimalen Schutz (z. B. wechselnder Einbauort, Reparatursendung).

#### **Zulässige Bedingungen am Lagerort:**

- Lagertemperatur: -40 ... +60 °C
- Feuchtigkeit: 35 ... 85 % r. F. (keine Betauung)

#### **Folgende Einflüsse vermeiden:**

- Direktes Sonnenlicht oder Nähe zu heißen Gegenständen
- Mechanische Vibration, mechanischer Schock (hartes Aufstellen)
- Ruß, Dampf, Staub und korrosive Gase
- Explosionsgefährdete Umgebung, entzündliche Atmosphären

Das Gerät in der Originalverpackung an einem Ort lagern, der die oben gelisteten Bedingungen erfüllt. Wenn die Originalverpackung nicht vorhanden ist, dann das Gerät wie folgt verpacken und lagern:

1. Das Gerät in eine Plastikfolie verpacken.
2. Das Gerät mit dem Dämmmaterial in der Verpackung platzieren.
3. Bei längerer Einlagerung (mehr als 30 Tage) einen Beutel mit Trocknungsmittel der Verpackung beilegen.

### 5. Inbetriebnahme, Betrieb

**Personal:** Fachpersonal

**Schutzausrüstung:** Schutzbrille, Schutzhandschuhe

**Werkzeuge:** Schraubendreher, Schraubenschlüssel

DE



#### **WARNUNG!**

##### **Körperverletzungen, Sach- und Umweltschäden durch gefährliche Messstoffe**

Bei Kontakt mit gefährlichen Messstoffen (z. B. Sauerstoff, Acetylen, brennbaren oder giftigen Stoffen), gesundheitsgefährdenden Messstoffen (z. B. ätzend, giftig, krebserregend, radioaktiv) sowie bei Kälteanlagen, Kompressoren besteht die Gefahr von Körperverletzungen, Sach- und Umweltschäden. Am Gerät können im Fehlerfall aggressive Medien mit extremer Temperatur und unter hohem Druck oder Vakuum anliegen.

- ▶ Bei diesen Messstoffen müssen über die gesamten allgemeinen Regeln hinaus die einschlägigen Vorschriften beachtet werden.
- ▶ Notwendige Schutzausrüstung tragen (siehe Kapitel 3.6 „Persönliche Schutzausrüstung“).



#### **WARNUNG!**

##### **Körperverletzungen, Sach- und Umweltschäden durch austretende Flüssigkeit Xylol nach Beschädigung der Messleitung**

Bei Kontakt im Falle austretender Füllflüssigkeit Xylol besteht die Gefahr der Körperverletzung durch Einatmen oder Berührung mit der Haut. Weiterhin ist Xylol ein entzündlicher Stoff und kann aufgrund dessen zu Sach- und Umweltschäden führen.

- ▶ Bei diesem Füllmedium müssen über die gesamten allgemeinen Regeln hinaus die einschlägigen Vorschriften beachtet werden.
- ▶ Notwendige Schutzausrüstung tragen (siehe Kapitel 3.6 „Persönliche Schutzausrüstung“).



#### **GEFAHR!**

##### **Lebensgefahr durch elektrischen Strom**

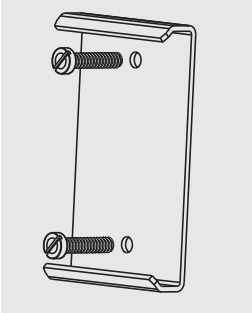
Bei Berührung mit spannungsführenden Teilen besteht unmittelbare Lebensgefahr.

- ▶ Einbau und Montage des Gerätes dürfen nur durch Fachpersonal erfolgen.
- ▶ Bei Betrieb mit einem defekten Netzgerät (z. B. Kurzschluss von Netzspannung zur Ausgangsspannung) können am Gerät lebensgefährliche Spannungen auftreten!
- ▶ Anschlussarbeiten nur im spannungslosen Zustand durchführen.

### 5.1 Montage

Die besondere Gestaltung des Befestigungsbügels gestattet eine sehr flexible Anbringung. Montageort so wählen, dass das Gerät gut sichtbar ist und die Verlegemöglichkeit für Anschlusskabel und Messleitung gewährleistet wird.

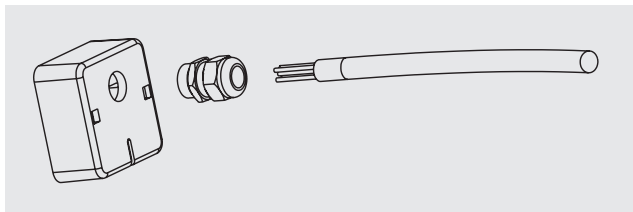
1. Zur Befestigung des Montagebügels das beiliegende Montagezubehör verwenden. Je nach Befestigungsgrund stehen 2 Halbbrund-Holzschrauben M4 x 30 inkl. Dübel D6 x 30 sowie 2 Zylinder-Blechschauben DIN 7971 C 4,2 x 9,5 zur Verfügung.



2. ■ PG-Verschraubung (PG 13,5) in Schutzkappe schrauben.
  - Kabel vorbereiten und durch PG-Verschraubung in Schutzkappe einziehen.
  - Die Anschlussleitungen müssen auch für die mitgelieferte Kabelverschraubung geeignet sein (PG 13,5: Klemmbereich 6 ... 12 mm).
  - Anschluss der Litze entsprechend der auf dem Typenschild befindlichen Anschlussbelegung vornehmen. Dazu die Nummerierung der Anschlüsse auf der Rückseite des Gehäuses beachten.
  - Den elektrischen Anschluss nur durch qualifiziertes Personal durchführen.
  - Schutzleiteranschluss  
Schutzleiter mit Aderendhülsen verwenden. Die Litze in die Klemme einführen und über die Befestigungsschraube fixieren.
  - Klemmanschluss  
Litze mit Aderendhülsen verwenden. Diese in die vorgesehenen Klemmen einführen und über die Befestigungsschraube fixieren. Leitungsquerschnitt max. 1,5 mm<sup>2</sup>.
  - Steckanschluss (Flachstecker 0,8 x 6,3)  
Die Litze mit einer passenden Flachsteckhülse verwenden. Diese auf die vorgesehenen Flachstecker stecken.

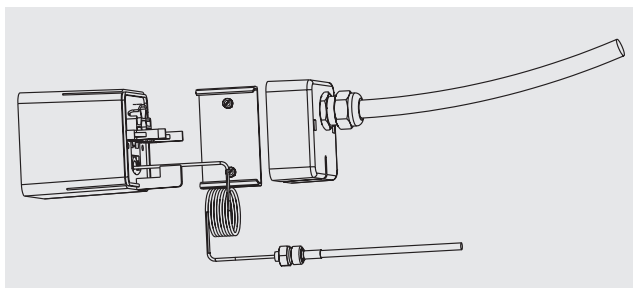
## 5. Inbetriebnahme, Betrieb

In den Geräten sind keine Überstrom-Schutzeinrichtungen eingebaut. Geeignete Schutzeinrichtungen vorsehen, um ein Verschweißen der Schalter durch Überlast zu verhindern.



DE

3. ■ Anschlusskabel gemäß Anschlussplan anklemmen.
- Gerät auf montierten Montagebügel ganz aufschieben.
- Schutzkappe aufstecken und einrasten, PG-Verschraubung bis zum Abdichten anziehen (empfohlenes Anzugsmoment: 4 Nm).



4. Messleitung und Kabel verlegen
5. Fühler in Abgasrohr montieren

### 5.2 Fühlermontage

Vor der Montage des Fühlers prüfen, ob der verwendete Fühlerwerkstoff (aus dem Lieferchein ersichtlich) gegenüber dem Messmedium chemisch beständig/neutral ist.

Der Tauchschaft soll möglichst mit seiner ganzen Länge der zu messenden Temperatur ausgesetzt sein.

Ein Schutzrohr darf wegen dem Einfluss auf die Ansprechzeit nicht verwendet werden.

Wärmeableitfehler entstehen, wenn der Messraum, dessen Temperatur angezeigt werden soll, sehr klein ist, so dass sich die Masse des Temperaturfühlers als Wärmekapazität bemerkbar macht. Wärmeableitfehler können auch bei nicht genügender Einbautiefe entstehen, wenn die Befestigungsarmatur an einem guten Wärmeleiter (Metallplatten oder dergleichen) befestigt ist und ein erheblicher Temperaturunterschied zwischen der Mess- und der Befestigungselement-Temperatur besteht.

### 5.3 Anschluss ohne Verwendung einer Messleitung

Der kleinste Biegeradius der Messleitung darf 6 mm nicht unterschreiten. Das Knicken oder eine Unterbrechung der Messleitung führen zum Ausfall des Gerätes.

Die Messleitung unbedingt zwischen dem letzten Befestigungspunkt und dem Fühler in mehreren Schlaufen freischwingend verlegen wenn an der Montagestelle des Fühlers Erschütterungen oder Vibrationen auftreten. Überlängen ebenfalls als Schlaufen verlegen, da das Kürzen der Messleitung das Gerät unbrauchbar macht.

Das Anschweißen oder Löten der Messleitung, sowie alle unlösbaren Befestigungen der Messleitung vermeiden, da hierbei die Messleitung stark beschädigt und die Funktion des Gerätes beeinträchtigt werden kann.

Die Messleitung soll nicht dicht an Kälte- oder Wärmequellen vorbeigeführt werden.

### 5.4 Gehäusemontage

Die Gehäuseschutzart dem Typenschild entnehmen und beim Einbau berücksichtigen.

Das Anzeigegehäuse nach Möglichkeit an einer schock- und vibrationsfreien Stelle montieren, jedoch mindestens die folgenden Grenzwerte einhalten:

Frequenzbereich < 150 Hz

Beschleunigung < 0,7 g (7 m/s<sup>2</sup>)

Gegebenenfalls kann z. B. durch eine flexible Verbindungsleitung von der Messstelle zum Thermometer eine Entkopplung vom Einbauort erreicht werden.

Um die größte Messgenauigkeit zu gewährleisten sollte die Umgebungstemperatur am Anzeigegehäuse zwischen 0 ... 40 °C liegen. Höhere bzw. niedrigere Umgebungstemperaturen können zu Anzeige Fehlern führen.

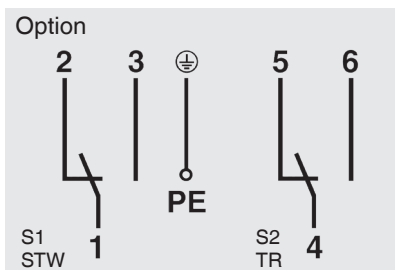
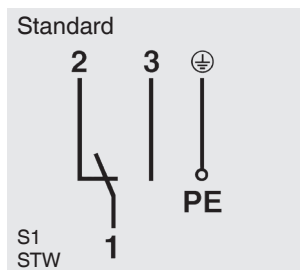
### 5.5 Elektrischer Anschluss

- Den elektrischen Anschluss nur durch qualifiziertes Personal durchführen.
- Schalter über Anschlussklemmen anschließen (Schraubklemmen oder Flachsteckhülse 6,3).
- Schraubklemme: Leitungsquerschnitt max. 1,5 mm<sup>2</sup> (bei Verwendung von flexiblen Litzen immer Aderendhülsen verwenden)
- Klemmenbelegung siehe Typenschild am Thermometer.

DE

In den Geräten sind keine Überstrom-Schutzeinrichtungen eingebaut.

Um ein Verschweißen der Schalter durch Überlast zu verhindern sind geeignete Schutz-einrichtungen vom Anwender vorzusehen.



1 + 2 Öffner (Wächterfunktion)

1 + 3 Schließer

Darf nur für Steuer- bzw. Signalfunktionen verwendet werden. Keine Wächterfunktion bzw. Messleitungsbruch überwachung gegeben.

### 6. Störungen

**Personal:** Fachpersonal oder Servicepersonal

**Schutzausrüstung:** Schutzbrille, Schutzhandschuhe



#### **VORSICHT!**

##### **Körperverletzungen, Sach- und Umweltschäden**

Können Störungen mit Hilfe der aufgeführten Maßnahmen nicht beseitigt werden, Gerät unverzüglich außer Betrieb setzen.

- ▶ Sicherstellen, dass kein Druck, Temperatur bzw. Signal mehr anliegt und gegen versehentliche Inbetriebnahme schützen.
- ▶ Kontakt mit dem Hersteller aufnehmen.
- ▶ Bei notwendiger Rücksendung die Hinweise unter Kapitel 8.2 „Rücksendung“ beachten.



#### **WARNUNG!**

##### **Körperverletzungen, Sach- und Umweltschäden durch gefährliche Messstoffe**

Bei Kontakt mit gefährlichen Messstoffen (z. B. Sauerstoff, Acetylen, brennbaren oder giftigen Stoffen), gesundheitsgefährdenden Messstoffen (z. B. ätzend, giftig, krebserregend, radioaktiv) sowie bei Kälteanlagen, Kompressoren besteht die Gefahr von Körperverletzungen, Sach- und Umweltschäden.

Am Gerät können aggressive Medien mit extremer Temperatur und unter hohem Druck oder Vakuum anliegen.

- ▶ Bei diesen Messstoffen müssen über die gesamten allgemeinen Regeln hinaus die einschlägigen Vorschriften beachtet werden.
- ▶ Notwendige Schutzausrüstung tragen (siehe Kapitel 3.6 „Persönliche Schutzausrüstung“).



#### **WARNUNG!**

##### **Körperverletzungen, Sach- und Umweltschäden durch austretende Flüssigkeit Xylol nach Beschädigung der Messleitung**

Bei Kontakt im Falle austretender Füllflüssigkeit Xylol besteht die Gefahr der Körperverletzung durch Einatmen oder Berührung mit der Haut. Weiterhin ist Xylol ein entzündlicher Stoff und kann aufgrund dessen zu Sach- und Umweltschäden führen.

- ▶ Bei diesem Füllmedium müssen über die gesamten allgemeinen Regeln hinaus die einschlägigen Vorschriften beachtet werden.
- ▶ Notwendige Schutzausrüstung tragen (siehe Kapitel 3.6 „Persönliche Schutzausrüstung“).



Kontakt Daten siehe Kapitel 1 „Allgemeines“ oder Rückseite der Betriebsanleitung.

## 6. Störungen

Störungen	Ursachen	Maßnahmen
<b>Messwertanzeige falsch</b>	Einfluss der Umgebungstemperatur an Gehäuse und/oder Messleitung zu hoch	Gehäuse und/oder Messleitung neu platzieren oder gegen Kälte-/Wärmeeinwirkung von außen isolieren
	Nullpunktabweichung	Messgerät zurück an Hersteller senden
	Fühler nicht vollständig in Messmedium eingetaucht	Einbausituation berichtigen
<b>Gerät schaltet nicht bei gewünschter Temperatur ab</b>	Messgerät außerhalb der Spezifikation verwendet (defekter Mikroschalter)	Messgerät zurück an Hersteller senden
	Messwertanzeige falsch	Messgerät zurück an Hersteller senden
	Fehlerhafter elektrischer Anschluss	Anschluss berichtigen
<b>Gerät funktionslos</b>	Lose elektrische Verbindung	Alle elektrischen Verbindungen prüfen
	Leitungsbruch oder Kurzschluss	Hilfsenergie prüfen
	Leckage in der Messleitung	Messgerät zurück an Hersteller senden
<b>Istwertzeiger unterhalb des Messbereichs-anfang, keine Reaktion auf Temperaturänderung</b>	Messleitungsbruch	Messgerät zurück an Hersteller senden
<b>Überwachte Anlage geht auf Störung</b>	Messleitungsbruch	Messgerät zurück an Hersteller senden
	Temperatur des zu überwachenden Mediums zu hoch	Ursache der Überhitzung beseitigen, betriebssicheren Zustand herstellen, STW15 schaltet selbsttätig zurück



### 7. Wartung und Reinigung

**Personal:** Fachpersonal oder Servicepersonal

**Werkzeuge:** Temperaturkalibrator



Kontaktdaten siehe Kapitel 1 „Allgemeines“ oder Rückseite der Betriebsanleitung.

DE

#### 7.1 Wartung

Dieses Gerät ist wartungsfrei.

Eine jährliche Funktionskontrolle wird empfohlen.

Reparaturen sind ausschließlich vom Hersteller durchzuführen.

#### 7.2 Reinigung



##### **VORSICHT!**

##### **Körperverletzungen, Sach- und Umweltschäden**

Eine unsachgemäße Reinigung führt zu Körperverletzungen, Sach- und Umweltschäden. Messstoffreste im ausgebauten Gerät können zur Gefährdung von Personen, Umwelt und Einrichtung führen.

- ▶ Reinigungsvorgang wie folgt beschrieben durchführen.

1. Vor der Reinigung am Gerät sicherstellen, dass kein Druck, Temperatur bzw. Signal mehr anliegt und gegen versehentliche Inbetriebnahme schützen.
2. Notwendige Schutzausrüstung verwenden.
3. Das Gerät mit einem feuchten Tuch reinigen.  
Elektrische Anschlüsse nicht mit Feuchtigkeit in Berührung bringen!



##### **VORSICHT!**

##### **Sachbeschädigung**

Eine unsachgemäße Reinigung führt zur Beschädigung des Gerätes!

- ▶ Keine aggressiven Reinigungsmittel verwenden.
- ▶ Keine harten und spitzen Gegenstände zur Reinigung verwenden.

4. Ausgebautes Gerät spülen bzw. säubern, um Personen und Umwelt vor Gefährdung durch anhaftende Messstoffreste zu schützen.

### 8. Demontage, Rücksendung und Entsorgung

**Personal:** Fachpersonal

**Schutzausrüstung:** Schutzbrille, Schutzhandschuhe

**Werkzeuge:** Schraubendreher, Gabelschlüssel

#### 8.1 Demontage



##### **WARNUNG!**

##### **Körperverletzungen, Sach- und Umweltschäden durch Messstoffreste**

Messstoffreste im ausgebauten Gerät können zur Gefährdung von Personen, Umwelt und Einrichtung führen.

Bei Kontakt mit gefährlichen Messstoffen (z. B. Sauerstoff, Acetylen, brennbaren oder giftigen Stoffen), gesundheitsgefährdenden Messstoffen (z. B. ätzend, giftig, krebserregend, radioaktiv) sowie bei Kälteanlagen, Kompressoren besteht die Gefahr von Körperverletzungen, Sach- und Umweltschäden.

- ▶ Ausgebautes Gerät spülen bzw. säubern, um Personen und Umwelt vor Gefährdung durch anhaftende Messstoffreste zu schützen.
- ▶ Vor der Einlagerung das ausgebaute Gerät (nach Betrieb) spülen bzw. säubern, um Personen und Umwelt vor Gefährdung durch anhaftende Messstoffreste zu schützen.
- ▶ Notwendige Schutzausrüstung tragen (siehe Kapitel 3.6 „Persönliche Schutzausrüstung“).
- ▶ Angaben im Sicherheitsdatenblatt für den entsprechenden Messstoff beachten.



##### **WARNUNG!**

##### **Körperverletzungen, Sach- und Umweltschäden durch austretende Flüssigkeit Xylol nach Beschädigung der Messleitung**

Bei Kontakt im Falle austretender Füllflüssigkeit Xylol besteht die Gefahr der Körperverletzung durch Einatmen oder Berührung mit der Haut. Weiterhin ist Xylol ein entzündlicher Stoff und kann aufgrund dessen zu Sach- und Umweltschäden führen.

- ▶ Bei diesem Füllmedium müssen über die gesamten allgemeinen Regeln hinaus die einschlägigen Vorschriften beachtet werden.
- ▶ Notwendige Schutzausrüstung tragen (siehe Kapitel 3.6 „Persönliche Schutzausrüstung“).



##### **WARNUNG!**

##### **Verbrennungsgefahr**

Beim Ausbau besteht Gefahr durch austretende, gefährlich heiße Messstoffe.

- ▶ Vor dem Ausbau das Gerät ausreichend abkühlen lassen!



### GEFAHR!

#### Lebensgefahr durch elektrischen Strom

Bei Berührung mit spannungsführenden Teilen besteht unmittelbare Lebensgefahr.

- ▶ Die Demontage des Gerätes darf nur durch Fachpersonal erfolgen.
- ▶ Gerät im spannungslosen Zustand demontieren.



### WARNUNG!

#### Körperverletzung

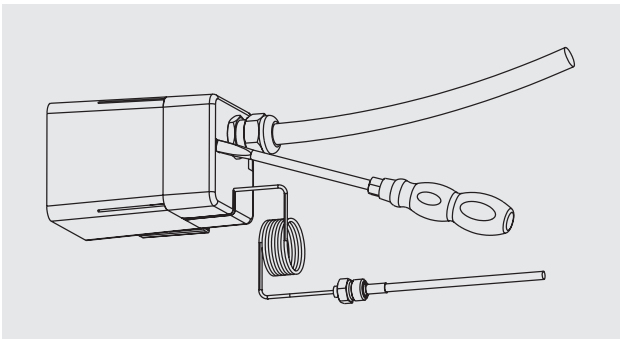
Bei der Demontage besteht Gefahr durch aggressive Medien und hohe Drücke.

- ▶ Notwendige Schutzausrüstung tragen (siehe Kapitel 3.6 „Persönliche Schutzausrüstung“).
- ▶ Angaben im Sicherheitsdatenblatt für den entsprechenden Messstoff beachten.
- ▶ Gerät im spannungslosen Zustand demontieren.

#### 1. PG-Verschraubung lösen

Schraubendreher in Öffnung der Schutzkappe stecken und durch leichte Drehung Raste ausklinken, dabei gleichzeitig Schutzkappe einseitig anheben und festhalten. Vorgang an der zweiten Öffnung wiederholen.

#### 2. Schutzkappe abziehen



### 8.2 Rücksendung

#### Beim Versand des Gerätes unbedingt beachten:

Alle an WIKA gelieferten Geräte müssen frei von Gefahrstoffen (Säuren, Laugen, Lösungen, etc.) sein und sind daher vor der Rücksendung zu reinigen.

DE



#### WARNUNG!

#### Körperverletzungen, Sach- und Umweltschäden durch Messstoffreste

Messstoffreste im ausgebauten Gerät können zur Gefährdung von Personen, Umwelt und Einrichtung führen.

- ▶ Bei Gefahrstoffen das Sicherheitsdatenblatt für den entsprechenden Messstoff beilegen.
- ▶ Gerät reinigen, siehe Kapitel 7.2 „Reinigung“.

Zur Rücksendung des Gerätes die Originalverpackung oder eine geeignete Transportverpackung verwenden.

#### Um Schäden zu vermeiden:

1. Das Gerät in eine Plastikfolie verpacken.
2. Das Gerät mit dem Dämmmaterial in der Verpackung platzieren.  
Zu allen Seiten der Transportverpackung gleichmäßig dämmen.
3. Wenn möglich einen Beutel mit Trocknungsmittel der Verpackung beifügen.



Hinweise zur Rücksendung befinden sich in der Rubrik „Service“ auf unserer lokalen Internetseite.

### 8.3 Entsorgung

Durch falsche Entsorgung können Gefahren für die Umwelt entstehen.

Gerätekomponenten und Verpackungsmaterialien entsprechend den landesspezifischen Abfallbehandlungs- und Entsorgungsvorschriften umweltgerecht entsorgen.

## 9. Technische Daten

Technische Daten	Typ STW15
<b>Nennspannung</b>	250 V / 50 Hz, 5 A, induktive Belastung 0,5 A
<b>Vorzuschaltende Sicherung</b>	3 A
<b>Wirkungsweise nach EN 14597</b>	2B, 2K, 2L, 2N, 2P
<b>Zulässige Temperaturen</b>	
■ Betriebstemperatur am Fühler	max. 600 °C
■ Umgebungstemperatur am Gehäuse	0 ... 70 °C
■ Lagerung und Transport	-40 ... +60 °C
<b>Schaltpunkt</b>	Fest eingestellt (siehe Typenschild)
<b>Schaltdifferenz</b>	ca. 12 K
<b>Zeitkonstante für Medium Luft</b>	< 25 Sekunden
<b>Betriebsdruck am Fühler</b>	Drucklos 0 bar
<b>Betriebsmessstoff</b>	Luft und Abgase
<b>Schutzart</b>	IP50

DE

Weitere technische Daten siehe WIKA-Datenblatt TV 28.05 und Bestellunterlagen.

## 10. Besondere Bedingungen für den sicheren Gebrauch

- Die für die Anwendung erforderliche IP-Schutzart muss durch den Einbau sichergestellt werden.
- Der Ausgangskontakt des Abgastemperaturwächters ist mit maximal 3 A abzusichern.
- Der kleinste zulässige Biegeradius der Kapillare beträgt 6 mm.



DE

6084582.07 11/2017 EN/DE/FR/ES

# Sommaire

<b>1. Généralités</b>	<b>48</b>
<b>2. Conception et fonction</b>	<b>49</b>
<b>3. Sécurité</b>	<b>50</b>
<b>4. Transport, emballage et stockage</b>	<b>55</b>
<b>5. Mise en service, utilisation</b>	<b>56</b>
<b>6. Dysfonctionnements</b>	<b>61</b>
<b>7. Entretien et nettoyage</b>	<b>63</b>
<b>8. Démontage, retour et mise au rebut</b>	<b>64</b>
<b>9. Spécifications</b>	<b>67</b>
<b>10. Conditions spécifiques pour une utilisation sûre</b>	<b>67</b>

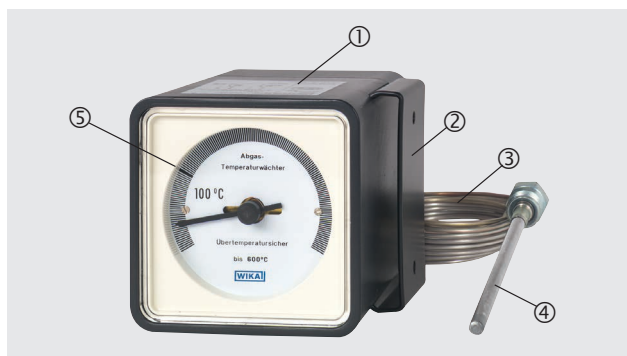
## 1. Généralités

- Le régulateur de température de gaz d'échappement type STW15 décrit dans le mode d'emploi est fabriqué selon les dernières technologies en vigueur. Tous les composants sont soumis à des exigences environnementales et de qualité strictes durant la fabrication. Nos systèmes de gestion sont certifiés selon ISO 9001 et ISO 14001.
- Ce mode d'emploi donne des indications importantes concernant l'utilisation de l'instrument. Il est possible de travailler en toute sécurité avec ce produit en respectant toutes les consignes de sécurité et d'utilisation.
- Respecter les prescriptions locales de prévention contre les accidents et les prescriptions générales de sécurité en vigueur pour le domaine d'application de l'instrument.
- Le mode d'emploi fait partie de l'instrument et doit être conservé à proximité immédiate de l'instrument et accessible à tout moment pour le personnel qualifié. Confier le mode d'emploi à l'utilisateur ou propriétaire ultérieur de l'instrument.
- Le personnel qualifié doit, avant de commencer toute opération, avoir lu soigneusement et compris le mode d'emploi.
- Les conditions générales de vente mentionnées dans les documents de vente s'appliquent.
- Sous réserve de modifications techniques.
- Pour obtenir d'autres informations :
  - Consulter notre site Internet : [www.wika.fr](http://www.wika.fr)
  - Fiche technique correspondante : TV 28.05
  - Conseiller applications : Tél. : +33 1 343084-84  
Fax : +33 1 343084-94  
[info@wika.fr](mailto:info@wika.fr)



### 2. Conception et fonction

#### 2.1 Vue générale



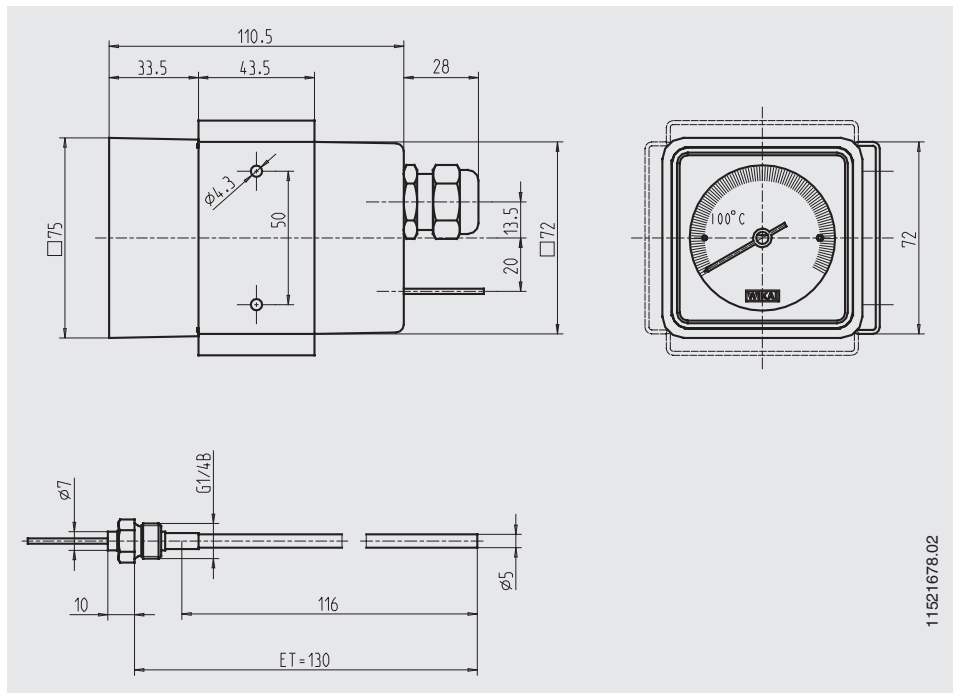
- ① Boîtier
- ② Etrier de fixation
- ③ Gaine
- ④ Sonde de température
- ⑤ Marquage de point de commutation pré-réglé en usine, non réglable

#### 2.2 Description

Le système de mesure fermé rempli de gaz consiste en une sonde de température, une ligne de mesure et un tube manométrique. La chaleur appliquée à la sonde de température produit un changement de pression dans le système fermé. Ceci a pour résultat une déformation du tube manométrique qui s'affiche au moyen de la tige de l'aiguille.

Le régulateur de température de fumée type STW15 est utilisé pour la surveillance de gaz de combustion dans une installation de production de chaleur. Lorsqu'un point de commutation fixé est atteint ou s'il y a une coupure de la ligne de mesure, le microinterrupteur déclenche une opération de commutation. Cette action est effectuée au moyen d'un disque de commutation qui est placé sur la tige de l'aiguille. Le régulateur de température de fumée commute en retour automatiquement après que la condition de sécurité spécifiée a été remplie.

### 2.3 Dimensions en mm



### 2.4 Détail de la livraison

Comparer le détail de la livraison avec le bordereau de livraison.

## 3. Sécurité

### 3.1 Explication des symboles



#### AVERTISSEMENT !

... indique une situation présentant des risques susceptibles de provoquer la mort ou des blessures graves si elle n'est pas évitée.



#### ATTENTION !

... indique une situation potentiellement dangereuse et susceptible de provoquer de légères blessures ou des dommages pour le matériel et pour l'environnement si elle n'est pas évitée.



### **DANGER !**

... indique les dangers liés au courant électrique. Danger de blessures graves ou mortelles en cas de non respect des consignes de sécurité.



### **AVERTISSEMENT !**

... indique une situation présentant des risques susceptibles de provoquer des brûlures dues à des surfaces ou liquides chauds si elle n'est pas évitée.



### **Information**

... met en exergue les conseils et recommandations utiles de même que les informations permettant d'assurer un fonctionnement efficace et normal.

FR

### **3.2 Utilisation conforme à l'usage prévu**

Le régulateur de température de fumée type STW15 convient comme instrument de contrôle dépendant de la température type ATW dans les fluides d'opération constitués par les gaz de combustion et l'air (EN 14597, principe de fonctionnement 2B, 2K, 2L, 2N, 2P).

Lorsque la température à la sonde de température dépasse le point de seuil non-réglable, il va interrompre un circuit de régulation. Le régulateur de température de fumée commute automatiquement si la condition de sécurité spécifiée a été remplie.

Ces instruments ne sont pas homologués pour un usage en zone explosive !

Ces instruments sont conçus et construits exclusivement pour une utilisation conforme à l'usage prévu décrit ici, et ne doivent être utilisés qu'à cet effet.

Les spécifications techniques mentionnées dans ce mode d'emploi doivent être respectées. En cas d'utilisation non conforme ou de fonctionnement de l'instrument en dehors des spécifications techniques, un arrêt et contrôle doivent être immédiatement effectués par un collaborateur autorisé du service de WIKA.

Aucune réclamation ne peut être recevable en cas d'utilisation non conforme à l'usage prévu.

### 3.3 Utilisation inappropriée



#### **AVERTISSEMENT !**

#### **Blessures causées par une utilisation inappropriée**

Une utilisation inappropriée peut conduire à des situations dangereuses et à des blessures.

- ▶ S'abstenir de modifications non autorisées sur l'instrument
- ▶ Ne pas utiliser l'instrument en zone explosive.
- ▶ Ne pas utiliser l'instrument avec un fluide abrasif ou visqueux.

FR

Toute utilisation différente ou au-delà de l'utilisation prévue est considérée comme inappropriée.

### 3.4 Responsabilité de l'opérateur

L'instrument est prévu pour un usage dans le domaine industriel. L'opérateur est de ce fait responsable des obligations légales en matière de sécurité du travail.

Les instructions de sécurité de ce mode d'emploi comme les réglementations liées à la sécurité, à la prévention des accidents et à la protection de l'environnement pour le domaine d'application doivent être respectées.

L'opérateur doit s'assurer que la plaque signalétique reste lisible.

Afin de travailler en toute sécurité sur l'instrument, la société exploitante doit s'assurer

- qu'un équipement de premier secours adapté est disponible et que les premiers soins peuvent être dispensés sur place à tout moment en cas de besoin.
- que le personnel de service soit formé à intervalles réguliers sur tous les sujets concernant la sécurité du travail, les premiers secours et la protection de l'environnement et qu'il connaît le mode d'emploi et particulièrement les consignes de sécurité contenues dans celui-ci.
- que l'instrument est adapté à l'application en respect de l'usage prévu de l'instrument.
- qu'un équipement de protection est disponible.

### 3.5 Qualification du personnel



#### **AVERTISSEMENT !**

##### **Danger de blessure en cas de qualification insuffisante**

Une utilisation non conforme peut entraîner d'importants dommages corporels et matériels.

- ▶ Les opérations décrites dans ce mode d'emploi ne doivent être effectuées que par un personnel ayant la qualification décrite ci-après.

#### **Personnel qualifié**

Le personnel qualifié, autorisé par l'opérateur, est, en raison de sa formation spécialisée, de ses connaissances dans le domaine de l'instrumentation de mesure et de régulation et de son expérience, de même que de sa connaissance des réglementations nationales et des normes en vigueur, en mesure d'effectuer les travaux décrits et d'identifier de façon autonome les dangers potentiels.

#### **Personnel opérationnel**

Le personnel formé par l'opérateur est, en raison de sa formation et de son expérience en mesure d'effectuer les travaux décrits et de reconnaître de façon autonome les dangers potentiels.

Les conditions d'utilisation spéciales exigent également une connaissance adéquate, par ex. des liquides agressifs.

### 3.6 Equipement de protection individuelle

L'équipement de protection individuelle sert à protéger le personnel qualifié contre les dangers pouvant entraver la sécurité et la santé de ce dernier durant le travail. Le personnel qualifié doit porter l'équipement de protection individuelle lors de l'exécution des différents travaux sur et avec l'instrument.

#### **Respecter les indications concernant l'équipement de protection individuelle dans la zone de travail !**

L'équipement de protection individuelle requis doit être mis à disposition par l'utilisateur.



#### **Porter des lunettes de protection !**

Protéger les yeux contre les projections et les éclaboussures.

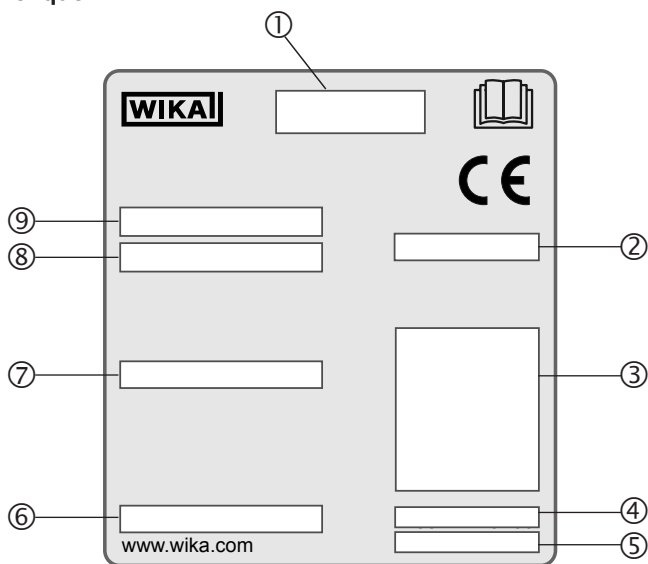


#### **Porter des gants de protection !**

Protéger les mains contre les frottements, les éraflures, les coupures ou les blessures profondes de même que contre tout contact avec les surfaces chaudes et les fluides agressifs.

### 3.7 Etiquetage, marquages de sécurité

#### Plaque signalétique



- ① Type
- ② Pouvoir de coupure
- ③ Configuration du raccordement
- ④ IP indice de protection  
Température ambiante admissible
- ⑤ Numéro de série
- ⑥ Date de fabrication (JJ.MM.AAAA)
- ⑦ Point de commutation en °C (point de commutation pré-réglé en usine)
- ⑧ Commande de production
- ⑨ Numéro d'article



Lire impérativement le mode d'emploi avant le montage et la mise en service de l'instrument !

### 4. Transport, emballage et stockage

#### 4.1 Transport

Vérifier s'il existe des dégâts sur l'instrument liés au transport.  
Communiquer immédiatement les dégâts constatés.



#### **ATTENTION !**

#### **Dommages liés à un transport inapproprié**

Un transport inapproprié peut donner lieu à des dommages importants.

- ▶ Lors du déchargement des colis à la livraison comme lors du transport des colis en interne après réception, il faut procéder avec soin et observer les consignes liées aux symboles figurant sur les emballages.
- ▶ Lors du transport en interne, observer les instructions du chapitre 4.2 "Emballage et stockage".

Si l'instrument est transporté d'un environnement froid dans un environnement chaud, la formation de condensation peut provoquer un dysfonctionnement fonctionnel de l'instrument. Il est nécessaire d'attendre que la température de l'instrument se soit adaptée à la température ambiante avant une nouvelle mise en service.

#### 4.2 Emballage et stockage

N'enlever l'emballage qu'avant le montage.

Conserver l'emballage, celui-ci offre, lors d'un transport, une protection optimale (par ex. changement de lieu d'utilisation, renvoi pour réparation).

#### **Conditions admissibles sur le lieu de stockage :**

- Température de stockage : -40 ... +60 °C
- Humidité : 35 ... 85 % h. r. (sans condensation)

#### **Eviter les influences suivantes :**

- Lumière solaire directe ou proximité d'objets chauds
- Vibrations mécaniques, chocs mécaniques (mouvements brusques en le posant)
- Suie, vapeur, poussière et gaz corrosifs
- Environnements dangereux, atmosphères inflammables

Conserver l'instrument dans l'emballage original dans un endroit qui satisfait aux conditions susmentionnées. Si l'emballage d'origine n'est pas disponible, emballer et stocker l'instrument comme suit :

1. Emballer l'instrument dans une feuille de plastique.
2. Placer l'instrument avec le matériau isolant dans l'emballage.
3. En cas de stockage prolongé (plus de 30 jours), mettre également un sachet absorbant d'humidité dans l'emballage.

### 5. Mise en service, utilisation

**Personnel** : personnel qualifié

**Équipement de protection** : lunettes de sécurité, gants de protection

**Outils** : tournevis, clé plate



#### **AVERTISSEMENT !**

##### **Blessures physiques et dommages aux équipements et à l'environnement causés par un fluide dangereux**

Lors du contact avec un fluide dangereux (par ex. oxygène, acétylène, substances inflammables ou toxiques), un fluide nocif (par ex. corrosif, toxique, cancérigène, radioactif), et également avec des installations de réfrigération et des compresseurs, il y a un danger de blessures physiques et de dommages aux équipements et à l'environnement.

En cas d'erreur, des fluides agressifs peuvent être présents à une température extrême et sous une pression élevée ou sous vide au niveau de l'instrument.

- ▶ Pour ces fluides, les codes et directives appropriés existants doivent être observés en plus des réglementations standard.
- ▶ Porter l'équipement de protection requis (voir chapitre 3.6 "Équipement de protection individuelle").



#### **AVERTISSEMENT !**

##### **Blessures et dommages aux équipements et à l'environnement causés par du xylène liquide après un dommage causé à la ligne de mesure**

Lors d'un contact avec du xylène liquide, il y a un risque de blessures causés par une inhalation ou un contact avec la peau. En outre, le xylène est un matériau inflammable et peut ainsi endommager le matériel et l'environnement.

- ▶ Pour ce fluide de remplissage, en plus des réglementations générales, les précautions adéquates doivent également être prises.
- ▶ Porter l'équipement de protection requis (voir chapitre 3.6 "Équipement de protection individuelle").



#### **DANGER !**

##### **Danger vital à cause du courant électrique**

Lors du contact avec des parties sous tension, il y a un danger vital direct.

- ▶ Le montage de l'instrument électrique ne doit être effectué que par un électricien qualifié.
- ▶ En cas d'utilisation avec un instrument d'alimentation défectueux (par exemple court-circuit entre la tension du secteur et la tension de sortie), des tensions présentant un danger de mort peuvent apparaître sur l'instrument !
- ▶ Effectuer les travaux de connexion seulement en état débranché.

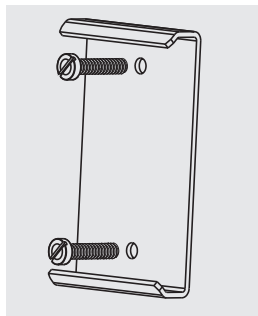


### 5.1 Installation

L'exécution spéciale de la potence d'installation permet un montage très souple. Choisir le point d'installation de telle sorte que l'instrument soit clairement visible et que la capacité de poser un câble de connexion et une ligne de mesure soit assurée.

1. Pour fixer la potence d'installation, utiliser les accessoires d'installation présents dans le colis.

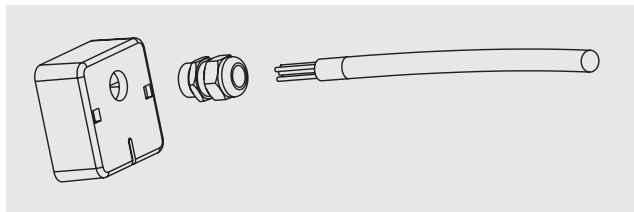
En fonction de la base de fixation, il y a 2 vis en bois M4 x 30 semi-circulaires (y compris D6 x 30 chevilles murales) disponibles et aussi 2 vis autotaraudeuses cylindriques, DIN 7971 C 4,2 x 9,5.



2. ■ Visser le presse-étoupe PG (PG 13,5) dans le capuchon de protection.
  - Préparer le câble et le tirer à travers le presse-étoupe PG dans le capuchon de protection.
  - Les lignes de connexion doivent aussi être adaptées au presse-étoupe qui est fourni (PG 13,5 : étendue de blocage 6 ... 12 mm).
  - Connecter le toron d'après la configuration du raccordement indiqué sur la plaque signalétique. Pour cela, observer la numérotation des connecteurs à l'arrière du boîtier.
  - Les travaux de raccordement électrique ne doivent être effectués que par des personnels qualifiés.
  - Raccordement du conducteur de protection  
Utiliser des conducteurs de protection avec des embouts. Insérer le toron dans la borne et le fixer au moyen de la vis de fixation.
  - Borne de raccordement  
Utiliser du toron avec embouts. Insérer le toron dans les bornes prévues et le fixer au moyen de la vis de fixation. Section du conducteur max. 1,5 mm<sup>2</sup>
  - Raccordement par connecteur (borne à lame plate 0,8 x 6,3)  
Utiliser le toron avec une borne à lame plate adéquate. Insérer ce fil dans les bornes à cosse prévues.

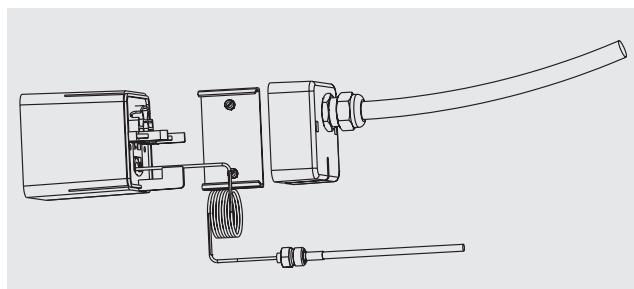
## 5. Mise en service, utilisation

Aucun dispositif de protection de surtension n'est installé dans les instruments. Afin de protéger les contacts d'une soudure par surcharge, des systèmes de protection adaptés doivent être mis en œuvre.



FR

3. ■ Relier le câble de connexion en respectant le diagramme de branchement.
- Glisser l'instrument jusqu'à la potence d'installation prévue.
- Attacher et engager le capuchon de protection et serrer le presse-étoupe jusqu'à atteindre une bonne étanchéité (couple de serrage recommandé : 4 Nm).



4. Relier la ligne de mesure et le câble.
5. Installer le capteur dans le tuyau d'échappement.

### 5.2 Installation du capteur

Avant l'installation du capteur, vérifier si le matériau de capteur utilisé (spécifié dans le bordereau de livraison) est chimiquement résistant ou neutre au fluide que l'on va mesurer.

La tige doit être soumise sur toute sa longueur à la température à mesurer.

Il ne faut pas utiliser de doigt de gant à cause de l'influence qu'il pourrait avoir sur le temps de réponse.

Des erreurs de transfert thermique se produisent si la chambre de mesure dont la température doit être affichée est très petite, si bien que la masse de la sonde de température représente une capacité thermique. Des erreurs de transfert thermique peuvent aussi apparaître si la profondeur de montage est insuffisante, si le support de montage est fixé sur un bon conducteur thermique (plaques métalliques ou similaires) et s'il existe une différence considérable entre la température de l'élément de mesure et celle de l'élément de fixation.

### 5.3 Raccordement sans utiliser la ligne de mesure

Le rayon de courbure le plus faible ne doit pas être inférieur à 6 mm. La courbure ou l'interruption de la ligne de mesure conduisent à une panne de l'instrument.

S'il y a des chocs ou des vibrations sur le site d'installation du capteur, former plusieurs boucles qui balancent librement entre le dernier point de fixation et le capteur. Toute longueur excessive doit être mise en spirale, car couper la ligne de mesure rendrait l'instrument inutilisable.

Eviter de souder ou de bloquer de manière permanente la ligne de mesure, car ceci pourrait sérieusement endommager la ligne de mesure et entraver le fonctionnement de l'instrument.

La ligne de mesure ne doit pas être installée à proximité de sources de froid ou de chaleur.

### 5.4 Installation du boîtier

L'indice de protection du boîtier est indiqué sur la plaque signalétique et doit être respecté lors de l'installation.

Si possible, monter le boîtier de l'afficheur dans un endroit exempt de chocs et de vibrations, mais observer au moins les valeurs limites suivantes :

Plage de fréquence < 150 Hz

Accélération < 0,7 g (7 m/s<sup>2</sup>)

Il est possible d'isoler l'installation du point de mesure en utilisant une ligne de raccordement flexible entre le point de mesure et le thermomètre.

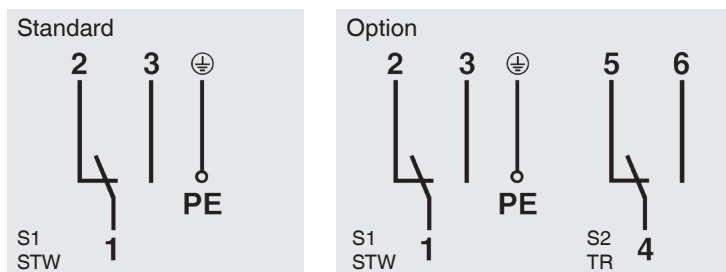
Pour assurer la précision de mesure la meilleure possible, la température ambiante sur le boîtier de l'aiguille doit se trouver entre 0 et 40 °C. Des températures ambiantes supérieures ou inférieures peuvent provoquer des erreurs d'indication.

### 5.5 Raccordement électrique

- Les travaux de raccordement électrique ne doivent être effectués que par des personnels qualifiés.
- Raccorder le contact au moyen des bornes de connexion (bornes à vis ou borne à lame plate 6.3).
- Borne à vis : section transversale du conducteur max. 1,5 mm<sup>2</sup> (toujours utiliser des embouts si l'on a des torons)
- La distribution des bornes est indiquée sur l'étiquette du thermomètre.

Aucun dispositif de protection de surtension n'est installé dans les instruments.

Afin de protéger les contacts d'un soudage par surcharge, des systèmes de protection adaptés doivent être mis en œuvre par l'opérateur.



1 + 2 normalement fermé (fonction de moniteur)

1 + 3 normalement ouvert

Ne doit être utilisé que pour des fonctions de régulation ou de signal. N'offre pas de fonction d'alarme ou de surveillance de coupure de ligne de mesure.

### 6. Dysfonctionnements

**Personnel** : personnel qualifié ou personnel de service

**Équipement de protection** : lunettes de sécurité, gants de protection



#### **ATTENTION !**

#### **Blessures physiques, dommages aux équipements et à l'environnement**

Si les défauts ne peuvent pas être éliminés au moyen des mesures listées, l'instrument doit être mis hors service immédiatement.

- ▶ S'assurer que la pression, la température ou le signal n'est plus présent et protéger contre une mise en service accidentelle.
- ▶ Contacter le fabricant.
- ▶ S'il est nécessaire de retourner l'instrument au fabricant, prière de respecter les indications mentionnées au chapitre 8.2 "Retour".

FR



#### **AVERTISSEMENT !**

#### **Blessures physiques et dommages aux équipements et à l'environnement causés par un fluide dangereux**

Lors du contact avec un fluide dangereux (par ex. oxygène, acétylène, substances inflammables ou toxiques), un fluide nocif (par ex. corrosif, toxique, cancérigène, radioactif), et également avec des installations de réfrigération et des compresseurs, il y a un danger de blessures physiques et de dommages aux équipements et à l'environnement.

Des fluides agressifs peuvent être présents à une température extrême et sous une pression élevée ou sous vide au niveau de l'instrument.

- ▶ Pour ces fluides, les codes et directives appropriés existants doivent être observés en plus des réglementations standard.
- ▶ Porter l'équipement de protection requis (voir chapitre 3.6 "Équipement de protection individuelle").



#### **AVERTISSEMENT !**

#### **Blessures et dommages aux équipements et à l'environnement causés par du xylène liquide après un dommage causé à la ligne de mesure**

Lors d'un contact avec du xylène liquide, il y a un risque de blessures causés par une inhalation ou un contact avec la peau. En outre, le xylène est un matériau inflammable et peut ainsi endommager le matériel et l'environnement.

- ▶ Pour ce fluide de remplissage, en plus des réglementations générales, les précautions adéquates doivent également être prises.
- ▶ Porter l'équipement de protection requis (voir chapitre 3.6 "Équipement de protection individuelle").



Pour le détail des contacts, merci de consulter le chapitre 1 "Généralités" ou le dos du mode d'emploi.

## 6. Dysfonctionnements

Dysfonctionnements	Raisons	Mesures
<b>Affichage incorrect de la valeur de mesure</b>	Influence trop forte de la température ambiante sur le boîtier et/ou la ligne de mesure	Repositionner le boîtier et/ou la ligne de mesure ou les isoler de l'influence du froid ou de la chaleur venant de l'extérieur
	Offset du point zéro	Renvoyer l'instrument de mesure au fabricant
	Capteur pas complètement immergé dans le fluide à mesurer	Corriger la situation d'installation
<b>L'instrument ne s'éteint pas à la température désirée</b>	Instrument de mesure utilisé en-dehors de la spécification (microrupteur défectueux)	Renvoyer l'instrument de mesure au fabricant
	Affichage incorrect de la valeur de mesure	Renvoyer l'instrument de mesure au fabricant
	Raccordement électrique incorrect	Corriger la connexion
<b>Instrument refusant de fonctionner</b>	Raccordement électrique défectueux	Vérifier tous les raccords électriques
	Rupture de câble ou court-circuit	Vérifier l'alimentation électrique
	Fuite dans la ligne de mesure	Renvoyer l'instrument de mesure au fabricant
<b>Aiguille de valeur réelle en-dessous du départ de l'étendue de mesure, aucune réaction à un changement de température</b>	Rupture de la ligne de mesure	Renvoyer l'instrument de mesure au fabricant
<b>L'installation surveillée passe en mode d'erreur</b>	Rupture de la ligne de mesure	Renvoyer l'instrument de mesure au fabricant
	Température du fluide à surveiller trop haute	Éliminer la cause de la surchauffe, restaurer une condition de bon fonctionnement, le STW15 commute en retour automatiquement

FR

### 7. Entretien et nettoyage

**Personnel** : personnel qualifié ou personnel de service

**Outils** : calibrateur de température



Pour le détail des contacts, merci de consulter le chapitre 1 “Généralités” ou le dos du mode d'emploi.

#### 7.1 Entretien

Cet instrument ne requiert aucun entretien.

Il est recommandé de procéder à une révision annuelle pour vérifier le fonctionnement.

Les réparations ne doivent être effectuées que par le fabricant.

#### 7.2 Nettoyage



##### **ATTENTION !**

##### **Blessures physiques, dommages aux équipements et à l'environnement**

Un nettoyage inapproprié peut conduire à des blessures physiques et à des dommages aux équipements ou à l'environnement. Les restes de fluides se trouvant dans les instruments démontés peuvent mettre en danger les personnes, l'environnement ainsi que l'installation.

- ▶ Effectuer la procédure de nettoyage comme décrit ci-dessous.

1. Avant de nettoyer l'instrument, il faut s'assurer que la pression, la température ou le signal n'est plus présent et protéger contre une mise en service accidentelle.
2. Utiliser l'équipement de protection requis.
3. Nettoyer l'instrument avec un chiffon humide.  
Eviter tout contact des raccordements électriques avec l'humidité !



##### **ATTENTION !**

##### **Dommages aux équipements**

Un nettoyage inapproprié peut endommager l'instrument !

- ▶ Ne pas utiliser de détergents agressifs.
- ▶ Ne pas utiliser d'objets pointus ou durs pour le nettoyage.

4. Laver ou nettoyer l'instrument démonté afin de protéger les personnes et l'environnement contre le danger lié aux résidus de fluides.

### 8. Démontage, retour et mise au rebut

**Personnel** : personnel qualifié

**Équipement de protection** : lunettes de sécurité, gants de protection

**Outils** : tournevis, clé plate

#### 8.1 Démontage



##### **AVERTISSEMENT !**

##### **Blessures physiques et dommages aux équipements et à l'environnement liés aux résidus de fluides**

Les restes de fluides se trouvant dans les instruments démontés peuvent mettre en danger les personnes, l'environnement ainsi que l'installation. Lors du contact avec un fluide dangereux (par exemple oxygène, acétylène, substances inflammables ou toxiques), un fluide nocif (par exemple corrosif, toxique, cancérigène, radioactif), et également avec des installations frigorifiques et des compresseurs, il y a un danger de blessures et de dommages aux équipements et à l'environnement.

- ▶ Laver et décontaminer l'instrument démonté afin de protéger les personnes et l'environnement contre le danger lié aux résidus de fluides.
- ▶ Avant de stocker l'instrument démonté (à la suite de son utilisation), le laver ou le nettoyer afin de protéger le personnel et l'environnement contre le danger lié aux résidus de fluides.
- ▶ Porter l'équipement de protection requis (voir chapitre 3.6 "Équipement de protection individuelle").
- ▶ Observer les informations de la fiche technique de sécurité du fluide correspondant.



##### **AVERTISSEMENT !**

##### **Blessures et dommages aux équipements et à l'environnement causés par du xylène liquide après un dommage causé à la ligne de mesure**

Lors d'un contact avec du xylène liquide, il y a un risque de blessures causés par une inhalation ou un contact avec la peau. En outre, le xylène est un matériau inflammable et peut ainsi endommager le matériel et l'environnement.

- ▶ Pour ce fluide de remplissage, en plus des régulations générales, les précautions adéquates doivent également être prises.
- ▶ Porter l'équipement de protection requis (voir chapitre 3.6 "Équipement de protection individuelle").



##### **AVERTISSEMENT !**

##### **Danger de brûlures**

Durant le démontage, il y a un danger lié à l'échappement de fluides dangereusement chauds.

- ▶ Avant le démontage du thermomètre, laisser refroidir suffisamment l'instrument !





### **DANGER !**

#### **Danger vital à cause du courant électrique**

Lors du contact avec des parties sous tension, il y a un danger vital direct.

- ▶ Le démontage de l'instrument ne doit être effectué que par du personnel qualifié.
- ▶ Ne démonter l'instrument que si le courant a été coupé.



### **AVERTISSEMENT !**

#### **Blessures physiques**

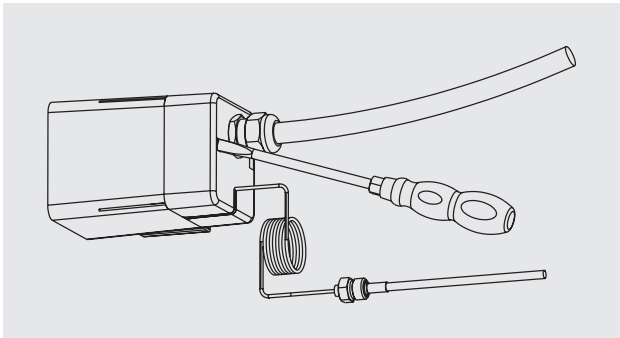
Lors du démontage, le danger peut provenir de fluides agressifs et de pressions élevées.

- ▶ Porter l'équipement de protection requis (voir chapitre 3.6 "Équipement de protection individuelle").
- ▶ Observer les informations de la fiche de données de sécurité du fluide correspondant.
- ▶ Ne démonter l'instrument que si le courant a été coupé.

#### 1. Desserrer le passe-câble PG

Insérer le tournevis dans l'ouverture du capuchon de protection et le tourner légèrement pour relâcher le clip à ressort lorsque l'on soulève et maintient le capuchon de protection. Répéter cette opération sur la deuxième ouverture.

#### 2. Retirer le capuchon de protection.



### 8.2 Retour

#### En cas d'envoi de l'instrument, il faut respecter impérativement ceci :

Tous les instruments livrés à WIKA doivent être exempts de substances dangereuses (acides, bases, solutions, etc.) et doivent donc être nettoyés avant d'être retournés.



#### AVERTISSEMENT !

#### Blessures physiques et dommages aux équipements et à l'environnement liés aux résidus de fluides

Les restes de fluides se trouvant dans les instruments démontés peuvent mettre en danger les personnes, l'environnement ainsi que l'installation.

- ▶ Avec les substances dangereuses, inclure la fiche technique de sécurité de matériau pour le fluide correspondant.
- ▶ Nettoyer l'instrument, voir chapitre 7.2 "Nettoyage".

Pour retourner l'instrument, utiliser l'emballage original ou un emballage adapté pour le transport.

#### Pour éviter des dommages :

1. Emballer l'instrument dans une feuille de plastique.
2. Placer l'instrument avec le matériau isolant dans l'emballage.  
Isoler de manière uniforme tous les côtés de l'emballage de transport.
3. Mettre si possible un sachet absorbant d'humidité dans l'emballage.



Des informations relatives à la procédure de retour sont disponibles sur notre site Internet à la rubrique "Services".

### 8.3 Mise au rebut

Une mise au rebut inadéquate peut entraîner des dangers pour l'environnement. Éliminer les composants des instruments et les matériaux d'emballage conformément aux prescriptions nationales pour le traitement et l'élimination des déchets et aux lois de protection de l'environnement en vigueur.

## 9. Spécifications

Spécifications	Type STW15
Tension nominale	250 V / 50 Hz, 5 A, charge inductive 0,5 A
Fusible connecté en série	3 A
Principe de fonctionnement selon EN 14597	2B, 2K, 2L, 2N, 2P
Températures admissibles <ul style="list-style-type: none"> <li>■ Température de fonctionnement du capteur</li> <li>■ Température ambiante sur le boîtier</li> <li>■ Stockage et transport</li> </ul>	max. 600 °C 0 ... 70 °C -40 ... +60 °C
Point de commutation	Fixé (voir plaque signalétique)
Différentiel de commutation	environ 12 K
Constante de durée pour l'air en tant que fluide	< 25 secondes
Pression de fonctionnement du capteur	Libre de pression 0 bar
Fluide de fonctionnement	Air et gaz de combustion
Indice de protection	IP50

FR

Pour de plus amples spécifications, voir la fiche technique WIKA TV 28.05 et la documentation de commande.

## 10. Conditions spécifiques pour une utilisation sûre

- L'indice de protection IP requis pour l'application doit être respecté par l'installation.
- Le contact de sortie du régulateur de température de fumées doit être protégé par un fusible jusqu'à un maximum de 3 A.
- Le rayon de courbure du capillaire minimal admissible est de 6 mm.



FR

# Contenido

<b>1. Información general</b>	<b>70</b>
<b>2. Diseño y función</b>	<b>71</b>
<b>3. Seguridad</b>	<b>72</b>
<b>4. Transporte, embalaje y almacenamiento</b>	<b>77</b>
<b>5. Puesta en servicio, funcionamiento</b>	<b>78</b>
<b>6. Errores</b>	<b>83</b>
<b>7. Mantenimiento y limpieza</b>	<b>85</b>
<b>8. Desmontaje, devolución y eliminación de residuos</b>	<b>86</b>
<b>9. Datos técnicos</b>	<b>89</b>
<b>10. Condiciones especiales para la utilización segura</b>	<b>89</b>

## 1. Información general

- El monitor de temperatura de gas de combustión modelo STW15 se fabrica según el estado actual de la tecnología. Todos los componentes están sujetos a rigurosos criterios de calidad y medio ambiente durante la producción. Nuestros sistemas de gestión están certificados según ISO 9001 e ISO 14001.
- Este manual de instrucciones proporciona indicaciones importantes acerca del manejo del instrumento. Para un trabajo seguro, es imprescindible cumplir con todas las instrucciones de seguridad y manejo indicadas.
- Cumplir siempre las normativas sobre la prevención de accidentes y las normas de seguridad en vigor en el lugar de utilización del instrumento.
- El manual de instrucciones es una parte integrante del instrumento y debe guardarse en la proximidad del mismo para que el personal especializado pueda consultarlo en cualquier momento. Entregar el manual de instrucciones al usuario o propietario siguiente del instrumento.
- El personal especializado debe haber leído y entendido el manual de instrucciones antes de comenzar cualquier trabajo.
- Se aplican las condiciones generales de venta incluidas en la documentación de venta.
- Modificaciones técnicas reservadas.
- Para obtener más informaciones consultar:
  - Página web: [www.wika.es](http://www.wika.es)
  - Hoja técnica correspondiente: TV 28.05
  - Servicio técnico: Tel.: +34 933 938 630  
Fax: +34 933 938 666  
[info@wika.es](mailto:info@wika.es)

### 2. Diseño y función

#### 2.1 Resumen



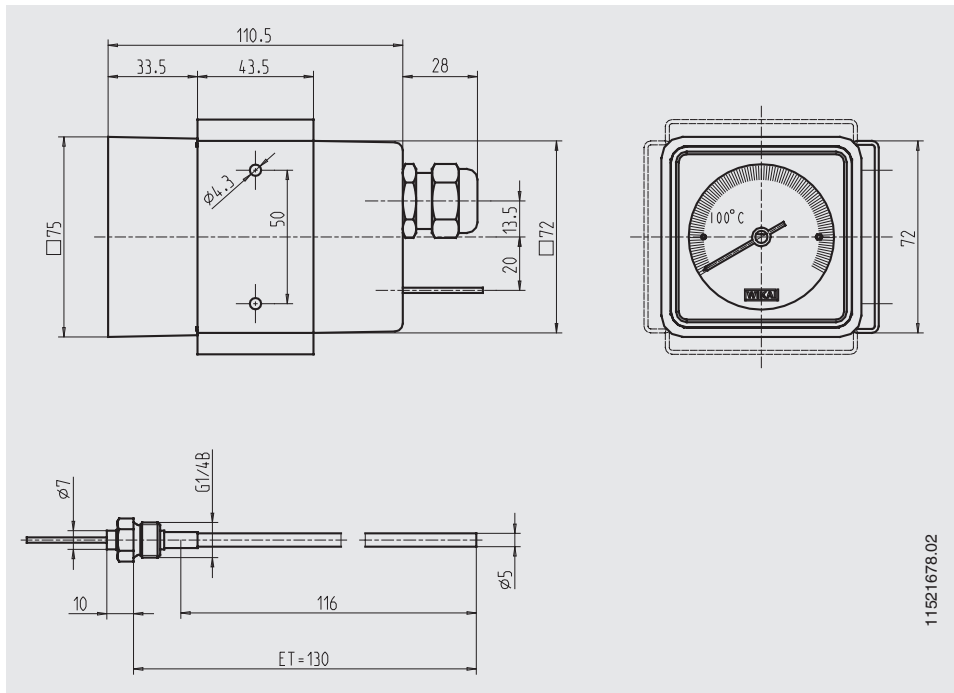
- ① Caja
- ② Estribos de fijación
- ③ Capilar
- ④ Sensor de temperatura
- ⑤ Marca del punto de conmutación previamente ajustado en fábrica, no regulable

#### 2.2 Descripción

El sistema de medición cerrado y llenado de gas está compuesto por un sensor de temperatura, el capilar y el muelle tubular. La aplicación de calor al sensor de temperatura produce una variación de presión en el sistema cerrado. Esto provoca una deformación del tubo Bourdon, que puede visualizarse mediante el eje de la aguja.

El monitor de temperatura de gas de combustión modelo STW15 sirve para la supervisión de los gases de combustión de instalaciones generadoras de calor. Si se llega a un punto de conmutación ajustado o si hay una rotura del capilar, el microinterruptor activa una conmutación. Ello se realiza mediante un disco de contacto dispuesto en el eje de conmutación. El monitor de temperatura de gas de combustión se repone automáticamente tras alcanzar el estado de seguridad operacional previamente ajustado.

### 2.3 Dimensiones en mm



### 2.4 Alcance del suministro

Comparar mediante el albarán si se han entregado todas las piezas.

## 3. Seguridad

### 3.1 Explicación de símbolos



#### ¡ADVERTENCIA!

... indica una situación probablemente peligrosa que puede causar la muerte o lesiones graves si no se la evita.



#### ¡CUIDADO!

... indica una situación probablemente peligrosa que puede causar lesiones leves o medianas, o daños materiales y medioambientales, si no se la evita.





### ¡PELIGRO!

... identifica los peligros causados por la corriente eléctrica. Existe riesgo de lesiones graves o mortales si no se observan estas indicaciones de seguridad.



### ¡ADVERTENCIA!

... indica una situación probablemente peligrosa que puede causar quemaduras debido a superficies o líquidos calientes si no se evita.



### Información

... destaca consejos y recomendaciones útiles así como informaciones para una utilización eficiente y libre de errores.

ES

### 3.2 Uso conforme a lo previsto

El controlador de temperatura de gas de combustión modelo STW15 es apto como unidad de control y de regulación modelo ATW en los medios de servicio gas de combustión y aire (EN 14597, modos de funcionamiento 2B, 2K, 2N, 2P). Si la temperatura en el sensor térmico sobrepasa el valor nominal fijo previamente ajustado, se interrumpe un circuito de corriente de control. El controlador de temperatura de gas de combustión se repone automáticamente tras alcanzar el estado de seguridad operacional previamente ajustado.

¡Estos dispositivos no están homologados para aplicaciones en zonas potencialmente explosivas!

Los instrumentos han sido diseñados y construidos únicamente para la finalidad aquí descrita y deben utilizarse en conformidad a la misma.

Cumplir las especificaciones técnicas de este manual de instrucciones. Un manejo no apropiado o una utilización del instrumento no conforme a las especificaciones técnicas requiere la inmediata puesta fuera de servicio y la comprobación por parte de un técnico autorizado por WIKA.

No se admite ninguna reclamación debido a una utilización no conforme a lo previsto.

### 3.3 Uso incorrecto



#### **¡ADVERTENCIA!**

#### **Lesiones por uso incorrecto**

El uso incorrecto del dispositivo puede causar lesiones graves o la muerte.

- ▶ Abstenerse realizar modificaciones no autorizadas del dispositivo.
- ▶ No utilizar el dispositivo en zonas potencialmente explosivas.
- ▶ No utilizar el instrumento para medios abrasivos ni viscosos.

Cualquier uso que no sea el previsto para este dispositivo es considerado como uso incorrecto.

### 3.4 Responsabilidad del usuario

ES

El dispositivo se utiliza en el sector industrial. Por lo tanto, el usuario está sujeto a las responsabilidades legales para la seguridad en el trabajo.

Se debe cumplir las notas de seguridad en este manual de instrucciones, así como la validez de las normas de seguridad de la unidad, de prevención de accidentes y protección del medio ambiente.

El usuario está obligado a mantener la placa de identificación bien legible.

Para realizar un trabajo seguro en el instrumento el propietario ha de asegurarse de que,

- esté disponible un kit de primeros auxilios que siempre esté presente y ayude en caso necesario.
- los operadores reciban periódicamente instrucciones, sobre todos los temas referidos a seguridad de trabajo, primeros auxilios y protección del medio ambiente, y conozcan además el manual de instrucciones y en particular las instrucciones de seguridad del mismo.
- que el dispositivo es adecuado de acuerdo con el uso previsto para la aplicación.
- el equipo de protección individual esté disponible.

### 3.5 Cualificación del personal



#### ¡ADVERTENCIA!

#### Riesgo de lesiones debido a una insuficiente cualificación

Un manejo no adecuado puede causar considerables daños personales y materiales.

- ▶ Las actividades descritas en este manual de instrucciones deben realizarse únicamente por personal especializado con la consiguiente cualificación.

#### Personal especializado

Debido a su formación profesional, a sus conocimientos de la técnica de regulación y medición así como a su experiencia y su conocimiento de las normativas, normas y directivas vigentes en el país de utilización el personal especializado autorizado por el usuario es capaz de ejecutar los trabajos descritos y reconocer posibles peligros por sí solo.

#### Operarios

El personal formado por el usuario es capaz de realizar el trabajo descrito y de identificar los peligros potenciales debido a su formación, el conocimiento y la experiencia.

Algunas condiciones de uso específicas requieren conocimientos adicionales, p. ej. acerca de medios agresivos.

### 3.6 Equipo de protección individual

El equipo de protección individual protege al personal especializado contra peligros que puedan perjudicar la seguridad y salud del mismo durante el trabajo. El personal especializado debe llevar un equipo de protección individual durante los trabajos diferentes en y con el instrumento.

#### ¡Cumplir las indicaciones acerca del equipo de protección individual en el área de trabajo!

El propietario debe proporcionar el equipo de protección individual.



#### ¡Llevar gafas protectoras!

Éstas protegen los ojos de piezas proyectadas y salpicaduras.

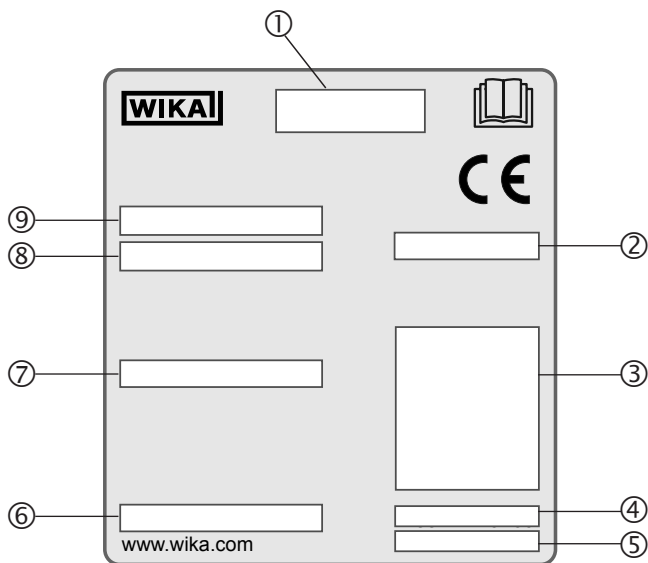


#### ¡Llevar guantes de protección!

Protección de las manos contra rozamientos, abrasión, cortes o lesiones más profundas, así como el contacto con superficies calientes y medios agresivos.

### 3.7 Rótulos, marcajes de seguridad

#### Placa de identificación



- ① Modelo
- ② Potencia de ruptura
- ③ Detalles del conexionado
- ④ Tipo de protección IP  
Temperatura ambiente admisible
- ⑤ Número de serie
- ⑥ Fecha de fabricación (DD.MM.AAAA)
- ⑦ Punto de conmutación en °C ( punto de conmutación preajustado en fábrica)
- ⑧ Orden de producción
- ⑨ Código



¡Es absolutamente necesario leer el manual de instrucciones antes del montaje y la puesta en servicio del instrumento!

### 4. Transporte, embalaje y almacenamiento

#### 4.1 Transporte

Comprobar si el instrumento presenta eventuales daños causados en el transporte. Notificar daños obvios de forma inmediata.



#### **¡CUIDADO!**

#### **Daños debidos a un transporte inadecuado**

Transportes inadecuados pueden causar daños materiales considerables.

- ▶ Tener cuidado al descargar los paquetes durante la entrega o el transporte dentro de la compañía y respetar los símbolos en el embalaje.
- ▶ Observar las instrucciones en el capítulo 4.2 "Embalaje y almacenamiento" en el transporte dentro de la compañía.

Si se transporta el instrumento de un ambiente frío a uno caliente, puede producirse un error de funcionamiento en el mismo. En tal caso, hay que esperar a que la temperatura del instrumento se adapte a la temperatura ambiente antes de ponerlo nuevamente en funcionamiento.

#### 4.2 Embalaje y almacenamiento

No quitar el embalaje hasta justo antes del montaje.

Guardar el embalaje ya que es la protección ideal durante el transporte (por ejemplo si el lugar de instalación cambia o si se envía el instrumento para posibles reparaciones).

#### **Condiciones admisibles en el lugar de almacenamiento:**

- Temperatura de almacenamiento: -40 ... +60 °C
- Humedad: 35 ... 85 % de humedad relativa (sin condensación)

#### **Evitar lo siguiente:**

- Luz solar directa o proximidad a objetos calientes
- Vibración mecánica, impacto mecánico (colocación brusca)
- Hollín, vapor, polvo y gases corrosivos
- Entorno potencialmente explosivo, atmósferas inflamables

Almacenar el instrumento en su embalaje original en un lugar que cumple las condiciones arriba mencionadas. Si no se dispone del embalaje original, empaquetar y almacenar el instrumento como sigue:

1. Embalar el instrumento en un film de plástico.
2. Colocar el instrumento junto con el material aislante en el embalaje.
3. Para un almacenamiento prolongado (más de 30 días) colocar una bolsa con un desecante en el embalaje.

### 5. Puesta en servicio, funcionamiento

**Personal:** personal especializado

**Equipo de protección:** gafas y guantes de protección

**Herramientas:** destornillador, llave



#### ¡ADVERTENCIA!

##### **Lesiones corporales, daños materiales y del medio ambiente causados por medios peligrosos**

En caso de contacto con medios peligrosos (p. ej. oxígeno, acetileno, inflamables o tóxicos) medios nocivos para la salud (p. ej. corrosivas, tóxicas, cancerígenas radioactivas) y con sistemas de refrigeración o compresores existe el peligro de lesiones corporales, daños materiales y del medio ambiente.

En caso de fallo es posible que haya medios agresivos con temperaturas extremas o de bajo presión o que haya un vacío en el instrumento.

- ▶ Con estos medios deben observarse en cada caso, además de todas las reglas generales, las disposiciones pertinentes.
- ▶ Utilizar el equipo de protección necesario (véase el capítulo 3.6 “Equipo de protección individual”).



#### ¡ADVERTENCIA!

##### **Lesiones corporales, daños materiales y al medio ambiente, provocados por escapes del líquido xileno por daños en el capilar**

En caso de una fuga del líquido xileno existe el riesgo de lesiones por inhalación o por contacto con la piel. Por otra parte, el xileno es una sustancia inflamable que puede ocasionar daños materiales y al medio ambiente.

- ▶ Con este medio de relleno deben observarse las disposiciones generales y específicas de esta sustancia.
- ▶ Utilizar el equipo de protección necesario (véase el capítulo 3.6 “Equipo de protección individual”).



#### ¡PELIGRO!

##### **Peligro de muerte por corriente eléctrica**

Existe peligro directo de muerte al tocar piezas bajo tensión.

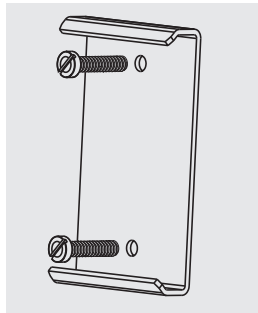
- ▶ La instalación y el montaje del instrumento eléctrico deben estar exclusivamente a cargo del personal especializado.
- ▶ ¡Si se hace funcionar con una fuente de alimentación defectuosa (p. ej. cortocircuito de la tensión de red a la tensión de salida), pueden generarse tensiones letales en el instrumento!
- ▶ Realizar los trabajos de conexión únicamente si no está sometido a tensión.

### 5.1 Montaje

El diseño especial de la brida de fijación permite una fijación muy flexible. Seleccionar el lugar de montaje de modo que el instrumento sea bien visible y se garantice la posibilidad de colocación para el cable de conexión y el capilar.

1. Para fijar la brida de montaje, utilizar los accesorios de montaje suministrados.

En función de la superficie de montaje, están disponibles 2 tornillos de cabeza semicircular M4 x 30 incl. tacos D6 x 30 así como 2 tornillos de cabeza cilíndrica para chapa DIN 7971 C 4,2 x 9,5.

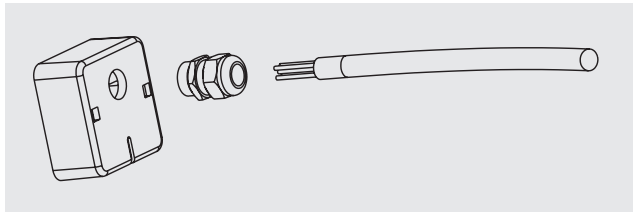


2. ■ Apretar el prensaestopas PG (PG 13,5).

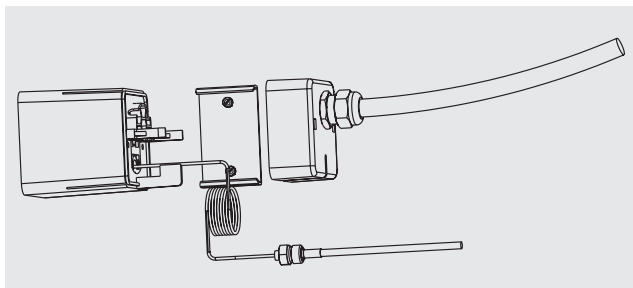
- Los cables de conexión también deben estar adecuados para el prensaestopa suministrado (PG 13,5: zona de los bornes 6 ... 12 mm).
- Realizar la conexión del cable de acuerdo con la configuración de pines que se encuentra en la placa de características. Para ello, tener en cuenta la numeración de las conexiones en la parte posterior de la caja.
- La conexión eléctrica debe estar exclusivamente a cargo de personal cualificado.
- Conexión con virolas  
Emplear un conductor protector con virolas. Introducir el cable en el borne y fijarlo con el tornillo de sujeción.
- Conexión con terminales  
Emplear un cable con virolas. Introducir éstas en el borne previsto y fijarlas con el tornillo de sujeción. Sección de línea, máx. 1,5 mm<sup>2</sup>.
- Conexión enchufable (conector plano 0,8 x 6,3)  
Utilizar el cable con una virola de enchufe plana. Insertarla en los conectores planos previstos.

## 5. Puesta en servicio, funcionamiento

Los instrumentos no incluyen dispositivos de seguridad contra sobrecorriente. Prever una serie de dispositivos de protección para evitar la soldadura de los interruptores causada por una sobrecarga.



3. ■ Conectar el cable según el esquema de conexión.  
■ Deslizar el instrumento completamente en la brida de montaje montado.  
■ Colocar la tapa protectora y dejarla encajar, apretar el racor PG hasta que esté estanco (par de apriete recomendado: 4 Nm).



4. Colocar el capilar y los cables.  
5. Montar el sensor en el tubo de escape.

### 5.2 Montaje del sensor

Antes de proceder con la instalación del sensor, comprobar si el material aplicado en el sensor (evidente del albarán) es químicamente resistente / neutral al medio de medir.

Para conseguir óptimos resultados el bulbo debe exponerse en toda su longitud a la temperatura a medir.

No debe usar una vaina o termopozo debido a su influencia en el tiempo de respuesta.

Errores en la disipación del calor surgen cuando la temperatura del espacio de medición que se desea indicar es muy baja, de modo que la masa del sensor de temperatura aplica como capacidad térmica. Tales errores también pueden surgir debido a una insuficiente profundidad de montaje, si el dispositivo de fijación está sujeto a un efectivo conductor de calor (placas de metal o semejantes) y si existe una diferencia considerable de temperatura entre el elemento sensible y el elemento de fijación.



### 5.3 Conexión sin utilizar un capilar

El radio mínimo de flexión del capilar no debe ser inferior a 6 mm. El doblar o interrumpir el capilar ocasiona un fallo del instrumento.

Es imprescindible tender el capilar entre el último punto de fijación y el sensor pendiendo libremente en varios bucles cuando se produzcan golpes o vibraciones en el lugar de montaje del sensor. Tender las longitudes sobrantes también con bucles, ya que el acortamiento del capilar inutiliza el instrumento.

No soldar el capilar ni las fijaciones permanentes del capilar porque éste podría dañarse y por consecuencia perjudicar el funcionamiento del instrumento.

El capilar no debe tenderse demasiado próximo a fuentes de frío o calor.

### 5.4 Montaje de la caja

Consultar la clase de protección en la placa de características y tenerla en cuenta durante el montaje.

Montar la caja del indicador en lo posible en un lugar libre de golpes y vibraciones y observar por lo menos los siguientes valores límites:

Rango de frecuencias < 150 Hz

Aceleración < 0,7 g (7 m/s<sup>2</sup>)

Si es necesario, se puede conseguir el alejamiento del termómetro del lugar de instalación mediante un conductor flexible.

Para garantizar una mayor exactitud de medición, la temperatura ambiente en la caja del indicador debería oscilar entre 0 ... 40 °C. Las temperaturas inferiores o superiores pueden provocar errores de indicación.

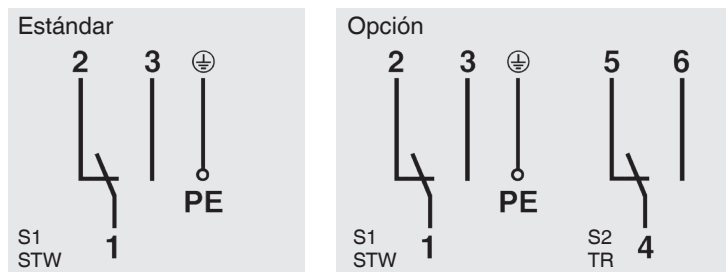
## 5. Puesta en servicio, funcionamiento

### 5.5 Conexión eléctrica

- La conexión eléctrica debe estar exclusivamente a cargo de personal cualificado.
- Conectar el interruptor mediante los bornes de conexión (bornes roscados o virola de enchufe plana 6,3).
- Borne roscado: sección máx. del conductor 1,5 mm<sup>2</sup> (si se utilizan cables flexibles, emplear siempre virolas de cable)
- Para asignación de bornes, véase la placa de características en el termómetro.

Los instrumentos no incluyen dispositivos de seguridad contra sobrecorriente. Para evitar la soldadura de los interruptores causada por una sobrecarga, se tienen que prever una serie de dispositivos de protección por parte del usuario.

ES



1 + 2 contacto normalmente cerrado (función de monitor)

1 + 3 contacto normalmente abierto

Solo debe utilizarse para funciones de control o de señalización. No hay ninguna función de monitor o de supervisión de rotura del capilar.

### 6. Errores

**Personal:** personal especializado

**Equipo de protección:** gafas y guantes de protección



#### **¡CUIDADO!**

##### **Lesiones corporales, daños materiales y del medio ambiente**

Si no se pueden solucionar los defectos mencionados se debe poner el dispositivo inmediatamente fuera de servicio.

- ▶ Asegurar que el dispositivo no quede expuesto a presión, temperatura o una señal y protegerlo contra usos accidentales.
- ▶ Contactar con el fabricante.
- ▶ En caso de devolución, observar las indicaciones del capítulo 8.2 “Devolución”.



#### **¡ADVERTENCIA!**

##### **Lesiones corporales, daños materiales y del medio ambiente causados por medios peligrosos**

En caso de contacto con medios peligrosos (p. ej. oxígeno, acetileno, inflamables o tóxicos) medios nocivos para la salud (p. ej. corrosivas, tóxicas, cancerígenas radioactivas) y con sistemas de refrigeración o compresores existe el peligro de lesiones corporales, daños materiales y del medio ambiente.

El instrumento puede haber sido expuesto a medios agresivos con temperaturas extremas o presiones altas o vacío.

- ▶ Con estos medios deben observarse en cada caso, además de todas las reglas generales, las disposiciones pertinentes.
- ▶ Utilizar el equipo de protección necesario (véase el capítulo 3.6 “Equipo de protección individual”).



#### **¡ADVERTENCIA!**

##### **Lesiones corporales, daños materiales y al medio ambiente, provocados por escapes del líquido xileno por daños en el capilar**

En caso de una fuga del líquido xileno existe el riesgo de lesiones por inhalación o por contacto con la piel. Por otra parte, el xileno es una sustancia inflamable que puede ocasionar daños materiales y al medio ambiente.

- ▶ Con este medio de relleno deben observarse las disposiciones generales y específicas de esta sustancia.
- ▶ Utilizar el equipo de protección necesario (véase el capítulo 3.6 “Equipo de protección individual”).



Datos de contacto véase el capítulo 1 “Información general” o parte posterior del manual de instrucciones.

## 6. Errores

Errores	Causas	Medidas
<b>Indicación errónea del valor medido</b>	Influencia de la temperatura ambiente sobre la caja y/o el capilar demasiado elevada	Colocar en otro lugar la caja y/o el capilar o aislarlos del frío/calor exterior
	Desviación del punto cero	Devolver el instrumento al fabricante
	El sensor no está completamente sumergido en el medio a medir	Corregir la situación de montaje
<b>El instrumento no se apaga a la temperatura deseada</b>	Medidor utilizado fuera de las especificaciones (microinterruptor averiado)	Devolver el instrumento al fabricante
	Indicación errónea del valor medido	Devolver el instrumento al fabricante
	Conexión eléctrica errónea	Corregir la conexión
<b>Instrumento no funciona</b>	Conexión eléctrica suelta	Comprobar todas las conexiones eléctricas
	Rotura de cable o cortocircuito	Comprobar la alimentación auxiliar
	Fuga en el capilar	Devolver el instrumento al fabricante
<b>Lectura de la aguja por debajo del rango de medición, no reacciona a cambios de temperatura</b>	Rotura del capilar	Devolver el instrumento al fabricante
<b>Instalación supervisada indica fallo</b>	Rotura del capilar	Devolver el instrumento al fabricante
	Temperatura del medio a supervisar demasiado elevada	Eliminar la causa del sobrecalentamiento, establecer el estado operacional seguro, STW15 se repone automáticamente

### 7. Mantenimiento y limpieza

**Personal:** personal especializado o de servicio técnico

**Herramientas:** calibrador de temperatura



Datos de contacto véase el capítulo 1 “Información general” o parte posterior del manual de instrucciones.

#### 7.1 Mantenimiento

Este instrumento no requiere mantenimiento.

Se recomienda un control de funcionamiento anual.

Todas las reparaciones solamente las debe efectuar el fabricante.

#### 7.2 Limpieza



##### ¡CUIDADO!

##### **Lesiones corporales, daños materiales y del medio ambiente**

Una limpieza inadecuada provoca lesiones corporales, daños materiales y del medio ambiente. Medios residuales en el instrumento desmontado pueden causar riesgos para personas, medio ambiente e instalación.

- Realizar el proceso de limpieza tal como se describe a continuación.

1. Antes de limpiar el instrumento, asegurarse de que no esté sometido a presión, temperatura o a una señal y protegerlo contra usos accidentales.
2. Utilizar el equipo de protección necesario.
3. Limpiar el instrumento con un paño húmedo.  
¡Asegurarse de que las conexiones eléctricas no entran en contacto con humedad!



##### ¡CUIDADO!

##### **Daños materiales**

¡Una limpieza inadecuada puede dañar el dispositivo!

- No utilizar productos de limpieza agresivos.
- No utilizar ningún objeto puntiagudo o duro para la limpieza.

4. Enjuagar y limpiar el dispositivo desmontado para proteger a las personas y el medio ambiente contra peligros por medios residuales adherentes.

### 8. Desmontaje, devolución y eliminación de residuos

**Personal:** personal especializado

**Equipo de protección:** gafas y guantes de protección

**Herramientas:** destornillador, llave de boca

#### 8.1 Desmontaje



##### **¡ADVERTENCIA!**

##### **Lesiones corporales, daños materiales y del medio ambiente por medios residuales**

Medios residuales en el instrumento desmontado pueden causar riesgos para personas, medio ambiente e instalación.

En caso de contacto con medios peligrosos (p. ej. oxígeno, acetileno, inflamables o tóxicos) medios nocivos para la salud (p. ej. corrosivos, tóxicas, cancerígenas radioactivas) y con sistemas de refrigeración o compresores existe el peligro de lesiones corporales, daños materiales y del medio ambiente.

- ▶ Enjuagar y limpiar el dispositivo desmontado para proteger a las personas y el medio ambiente contra peligros por medios residuales adherentes.
- ▶ Enjuagar y limpiar el dispositivo desmontado (tras servicio) antes de proceder a su almacenaje para proteger a las personas y el medio ambiente de la exposición a medios adherentes.
- ▶ Utilizar el equipo de protección necesario (véase el capítulo 3.6 “Equipo de protección individual”).
- ▶ Observar la ficha de datos de seguridad correspondiente al medio.



##### **¡ADVERTENCIA!**

##### **Lesiones corporales, daños materiales y al medio ambiente, provocados por escapes del líquido xileno por daños en el capilar**

En caso de una fuga del líquido xileno existe el riesgo de lesiones por inhalación o por contacto con la piel. Por otra parte, el xileno es una sustancia inflamable que puede ocasionar daños materiales y al medio ambiente.

- ▶ Con este medio de relleno deben observarse las disposiciones generales y específicas de esta sustancia.
- ▶ Utilizar el equipo de protección necesario (véase el capítulo 3.6 “Equipo de protección individual”).



##### **¡ADVERTENCIA!**

##### **Riesgo de quemaduras**

Peligro debido a medios muy calientes que se escapan durante el desmontaje.

- ▶ ¡Dejar enfriar el instrumento lo suficiente antes de desmontarlo!

## 8. Desmontaje, devolución y eliminación de residuos



### ¡PELIGRO!

#### **Peligro de muerte por corriente eléctrica**

Existe peligro directo de muerte al tocar piezas bajo tensión.

- ▶ El desmontaje del instrumento solo puede ser realizado por personal especializado.
- ▶ Desmontar el instrumento tras desconectarlo de la fuente de tensión.



### ¡ADVERTENCIA!

#### **Lesión corporal**

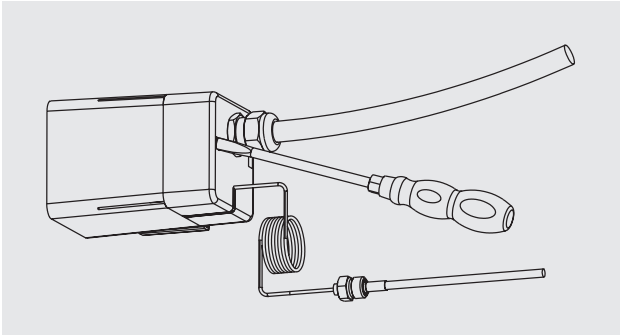
Al desmontar existe el peligro debido a los medios agresivos y altas presiones.

- ▶ Utilizar el equipo de protección necesario (véase el capítulo 3.6 “Equipo de protección individual”).
- ▶ Observar la ficha de datos de seguridad correspondiente al medio.
- ▶ Desmontar el instrumento tras desconectarlo de la fuente de tensión.

#### 1. Soltar el racor PG

Meter el destornillador en la abertura de la tapa protectora y desencajarla girando ligeramente el destornillador, levantando y fijando al mismo tiempo la tapa protectora en un lado. Repetir el proceso en la segunda abertura.

#### 2. Retirar la tapa protectora



### 8.2 Devolución

**Es imprescindible observar lo siguiente para el envío del instrumento:**

Todos los instrumentos enviados a WIKA deben estar libres de sustancias peligrosas (ácidos, lejías, soluciones, etc.) y, por lo tanto, deben limpiarse antes de devolver.



**¡ADVERTENCIA!**

**Lesiones corporales, daños materiales y del medio ambiente por medios residuales**

Medios residuales en el instrumento desmontado pueden causar riesgos para personas, medio ambiente e instalación.

- ▶ En caso de sustancias peligrosas adjuntar la ficha de datos de seguridad correspondiente al medio.
- ▶ Limpiar el dispositivo, consultar el capítulo 7.2 “Limpieza”.

Utilizar el embalaje original o un embalaje adecuado para la devolución del instrumento.

**Para evitar daños:**

1. Embalar el instrumento en un film de plástico.
2. Colocar el instrumento junto con el material aislante en el embalaje.  
Aislar uniformemente todos los lados del embalaje de transporte.
3. Si es posible, adjuntar una bolsa con secante.



Comentarios sobre el procedimiento de las devoluciones encuentra en el apartado “Servicio” en nuestra página web local.

### 8.3 Eliminación de residuos

Una eliminación incorrecta puede provocar peligros para el medio ambiente.

Eliminar los componentes de los instrumentos y los materiales de embalaje conforme a los reglamentos relativos al tratamiento de residuos y eliminación vigentes en el país de utilización.



## 9. Datos técnicos

Datos técnicos	Modelo STW15
Tensión nominal	250 V / 50 Hz, 5 A, carga inductiva 0,5 A
Fusible a anteponer	3 A
Modo de funcionamiento según EN 14597	2B, 2K, 2L, 2N, 2P
<b>Temperaturas admisibles</b> <ul style="list-style-type: none"> <li>■ Temperatura de servicio en el sensor</li> <li>■ Temperatura ambiente en la caja</li> <li>■ Almacenamiento y transporte</li> </ul>	600 °C máx. 0 ... 70 °C -40 ... +60 °C
Punto de conmutación	Ajustado en forma fija (véase la placa de identificación)
Diferencial de conmutación	aprox. 12 K
Constante de tiempo para el medio aire	< 25 segundos
Presión de trabajo en el sensor	Sin presión 0 bar
Medio de servicio	Aire y gases de combustión
Tipo de protección	IP50

Para más datos técnicos, consulte la hoja técnica de WIKA TV 28.05 y la documentación de pedido.

## 10. Condiciones especiales para la utilización segura

- El montaje debe efectuarse de modo que se garantice el tipo de protección IP requerido para la aplicación.
- El contacto de salida del monitor de gas de combustión debe asegurarse con 3 A como máximo.
- El radio de flexión mínimo admisible de los capilares es de 6 mm.