

Digital temperature transmitter, model T15

EN

Digitaler Temperaturtransmitter, Typ T15

DE



Head mounting version, model T15.H

Rail mounting version, model T15.R

avroara-arm.ru
+7 (495) 956-62-18



Part of your business

EN	Operating instructions model T15	Page	3 - 38
-----------	---	-------------	---------------

DE	Betriebsanleitung Typ T15	Seite	39 - 68
-----------	----------------------------------	--------------	----------------

Further languages can be found at www.wika.com.

© 12/2015 WIKA Alexander Wiegand SE & Co. KG
All rights reserved. / Alle Rechte vorbehalten.
WIKA® is a registered trademark in various countries.
WIKA® ist eine geschützte Marke in verschiedenen Ländern.

Prior to starting any work, read the operating instructions!
Keep for later use!

Vor Beginn aller Arbeiten Betriebsanleitung lesen!
Zum späteren Gebrauch aufbewahren!

Contents

1. General information	5
2. Design and function	6
2.1 Description	6
2.2 Dimensions in mm	6
2.3 Scope of delivery	7
3. Safety	8
3.1 Explanation of symbols	8
3.2 Intended use	8
3.3 Responsibility of the operator	9
3.4 Personnel qualification	9
3.5 Labelling, safety marks	10
3.6 Ex marking	11
4. Transport, packaging and storage	12
4.1 Transport	12
4.2 Packaging and storage	12
5. Commissioning, operation	13
5.1 Grounding	13
5.2 Mounting	15
5.2.1 Transmitter in head mounting version (model T15.H)	15
5.2.2 Transmitter in rail mounting version (model T15.R)	16
5.3 Electrical connection	16
5.3.1 Power supply, 4 ... 20 mA current loop	17
5.3.2 Sensors	18
5.4 Configuration	19
5.4.1 Configurable monitoring functionality	19
5.4.2 Configuration via the PC	19
5.4.3 Programming unit model PU-548	20
5.4.4 Configuration software WIKAsoft-TT	20
6. Special conditions for safe use (X conditions)	21
6.1 General (all approvals)	21
6.2 Approval ATEX und IECEx	21
6.2.1 Models T15.x-AC, T15.x-AI	21
6.2.2 Model T15.x-AN	21
6.2.3 Model T15.x-AE	21
6.3 Approval FM	22
6.3.1 Models T15.x-AC, T15.x-AI	22
6.3.2 Model T15.x-AN	22
6.3.3 Model T15.x-AE	22

6.4	Approval CSA	23
6.4.1	Models T15.x-AIx	23
6.4.2	Models T15.x-ACx	23
6.4.3	Models T15.x-AEx	23
7.	Configuration software WIKAsoft-TT	24
7.1	Starting the software	24
7.2	Configuration procedure	25
7.3	Fault diagnosis	25
7.4	Measured values	25
7.5	Configure several instruments identically	25
8.	Faults	26
9.	Maintenance	28
10.	Return and disposal	28
10.1	Return	28
10.2	Disposal	28
11.	Specifications	29
11.1	Safety-related characteristic values for models T15.x-AI, T15.x-AC	30
11.2	Safety-related characteristic values for models T15.x-AN, T15.x-AE	31
11.3	Versioning per NAMUR NE53	32
12.	Accessories	32
Appendix 1: Control drawing CSA/FM		33
Appendix 2: EU declaration of conformity		37

Declarations of conformity can be found online at www.wika.com.

1. General information

- The temperature transmitter described in the operating instructions has been designed and manufactured using state-of-the-art technology. All components are subject to stringent quality and environmental criteria during production. Our management systems are certified to ISO 9001 and ISO 14001.
- These operating instructions contain important information on handling the instrument. Working safely requires that all safety instructions and work instructions are observed.
- Observe the relevant local accident prevention regulations and general safety regulations for the instrument's range of use.
- The operating instructions are part of the product and must be kept in the immediate vicinity of the instrument and readily accessible to skilled personnel at any time. Pass the operating instructions onto the next operator or owner of the instrument.
- Skilled personnel must have carefully read and understood the operating instructions prior to beginning any work.
- The general terms and conditions contained in the sales documentation shall apply.
- Subject to technical modifications.
- Further information:
 - Internet address: www.wika.de / www.wika.com
 - Relevant data sheet: TE 15.01
 - Application consultant: Tel.: +49 9372 132-0
Fax: +49 9372 132-406
info@wika.de

2. Design and function

2.1 Description

The model T15 temperature transmitter is used for converting a resistance value or a resistance ratio (potentiometer) into a proportional current signal (4 ... 20 mA). Thus the sensors are permanently monitored for their fault-free operation.

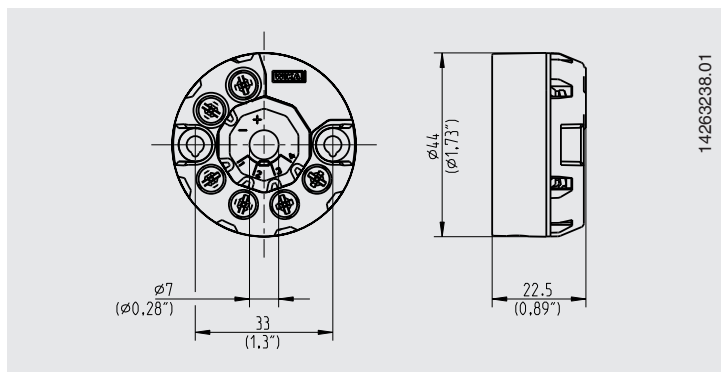
EN

The transmitter meets the requirements for:

- Explosion protection (depending on the version)
- Electromagnetic compatibility in accordance with NAMUR recommendation NE21
- Signalling at the analogue output in accordance with NAMUR recommendation NE43
- Sensor break signalling in accordance with NAMUR recommendation NE89 (corrosion monitoring sensor connection)

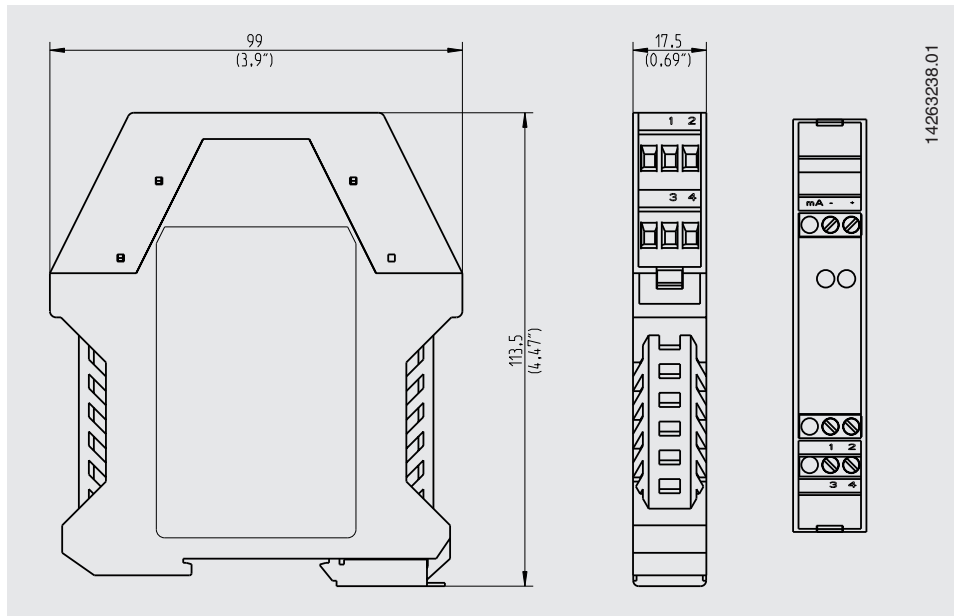
2.2 Dimensions in mm

- Head mounting version, model T15.H



2. Design and function

■ Rail mounting version, model T15.R



EN

2.3 Scope of delivery

Cross-check scope of delivery with delivery note.

3. Safety

3.1 Explanation of symbols

EN



WARNING!

... indicates a potentially dangerous situation that can result in serious injury or death, if not avoided.



CAUTION!

... indicates a potentially dangerous situation that can result in light injuries or damage to equipment or the environment, if not avoided.



DANGER!

... identifies hazards caused by electrical power. Should the safety instructions not be observed, there is a risk of serious or fatal injury.



DANGER!

... indicates a potentially dangerous situation in the hazardous area that can result in serious injury or death, if not avoided.



WARNING!

... indicates a potentially dangerous situation that can result in burns, caused by hot surfaces or liquids, if not avoided.



Information

... points out useful tips, recommendations and information for efficient and trouble-free operation.

3.2 Intended use

The model T15 temperature transmitter is a universal transmitter, configurable via a PC, for use with resistance thermometers and potentiometers.

The instrument has been designed and built solely for the intended use described here, and may only be used accordingly.

The technical specifications contained in these operating instructions must be observed. Improper handling or operation of the instrument outside of its technical specifications requires the instrument to be taken out of service immediately and inspected by an authorised WIKA service engineer.

The manufacturer shall not be liable for claims of any type based on operation contrary to the intended use.

3.3 Responsibility of the operator

The instrument is used in the industrial sector. The operator is therefore responsible for legal obligations regarding safety at work.

The safety instructions within these operating instructions, as well as the safety, accident prevention and environmental protection regulations for the application area must be maintained.

The operator is obliged to maintain the product label in a legible condition.

The responsibility for classification of zones lies with the plant operator and not the manufacturer/supplier of the equipment.

3.4 Personnel qualification



WARNING!

Risk of injury should qualification be insufficient

Improper handling can result in considerable injury and damage to equipment.

- ▶ The activities described in these operating instructions may only be carried out by skilled electrical personnel who have the qualifications described below.

Skilled electrical personnel

Skilled electrical personnel are understood to be personnel who, based on their technical training, know-how and experience as well as their knowledge of country-specific regulations, current standards and directives, are capable of carrying out work on electrical systems and independently recognising and avoiding potential hazards. The skilled electrical personnel have been specifically trained for the work environment they are working in and know the relevant standards and regulations. The skilled electrical personnel must comply with current legal accident prevention regulations.

Special knowledge for working with instruments for hazardous areas:

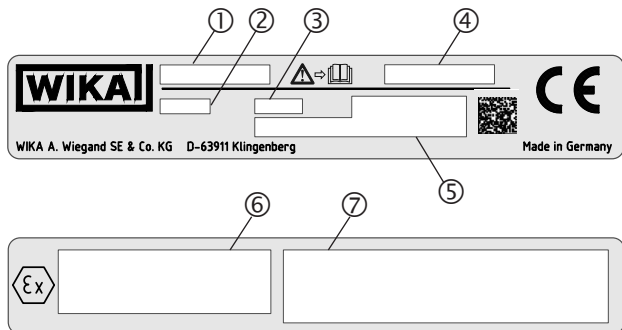
The skilled electrical personnel must have knowledge of ignition protection types, regulations and provisions for equipment in hazardous areas.

Special operating conditions require further appropriate knowledge, e.g. of aggressive media.

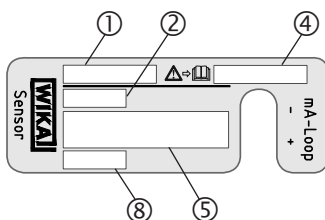
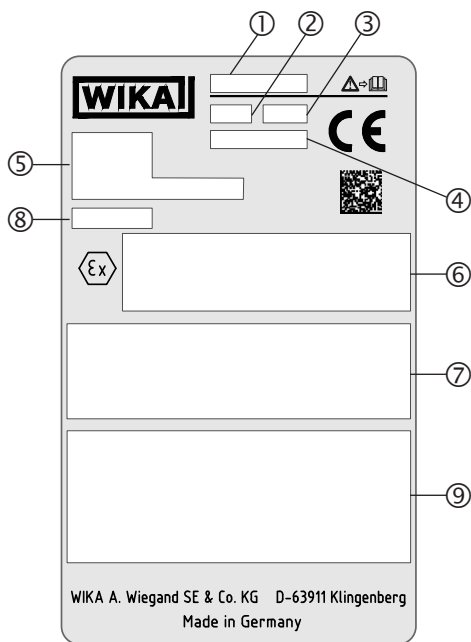
3. Safety

3.5 Labelling, safety marks

■ Head mounting version, model T15.H



■ Rail mounting version, model T15.R



- ① Model
- ② Firmware
- ③ Date of manufacture (year-month)
- ④ Serial number
- ⑤ Sensor information (model, connection method, power supply, measuring range)
- ⑥ ATEX-related data
- ⑦ Further approval-related data
- ⑧ TAG no.
- ⑨ Pin assignment



Before mounting and commissioning the instrument, ensure you read the operating instructions!

3.6 Ex marking



DANGER!

Danger to life due to loss of explosion protection

Non-observance of these instructions and their contents may result in the loss of explosion protection.

- ▶ Observe the safety instructions and further explosion instructions in these operating instructions.
- ▶ Follow the requirements of the ATEX directive.
- ▶ Observe the information given in the applicable type examination certificate and the relevant country-specific regulations for installation and use in hazardous areas (e.g. IEC 60079-14, NEC, CEC).

EN

Check whether the classification is suitable for the application. Observe the relevant national regulations.

Model overview of European approvals

Model	Ex marking		Ignition protection type
	BVS 19 ATEX E 020 X IECEx BVS 19.0022X		
T15.H-AI (Head mounting version)	II 1G II 1D	Ex ia IIC T6 ... T4 Ga Ex ia IIIC T135 °C Da	Intrinsically safe equipment
T15.R-AI (Rail mounting version)	II 2(1)G II 2(1)D	Ex ia [ia Ga] IIC T6 ... T4 Gb Ex ia [ia Da] IIIC T135 °C Db	Intrinsically safe equipment
T15.x-AC	II 3G	Ex ic IIC T6 ... T4 Gc X	Intrinsically safe equipment
T15.x-AN	II 3G	Ex nA IIC T6 ... T4 Gc X	Non-incendive equipment
T15.x-AE	II 3G	Ex ec IIC T6 ... T4 Gc	Non-incendive equipment

4. Transport, packaging and storage

4.1 Transport

Check the instrument for any damage that may have been caused by transport.

Obvious damage must be reported immediately.

EN



CAUTION!

Damage through improper transport

With improper transport, damage to property can occur.

- ▶ Do not use transmitters with any damage to the exterior!

If the instrument is transported from a cold into a warm environment, the formation of condensation may result in instrument malfunction. Before putting it back into operation, wait for the instrument temperature and the room temperature to equalise.

4.2 Packaging and storage

Do not remove packaging until just before mounting.

Permissible conditions at the place of storage:

- Storage temperature: -40 ... +85 °C
- Humidity: 95 % r. h. (condensation permitted)

Avoid exposure to the following factors:

- Direct sunlight or proximity to hot objects
- Mechanical vibration, mechanical shock (putting it down hard)
- Soot, vapour, dust and corrosive gases

5. Commissioning, operation

Personnel: Skilled electrical personnel

Tools: Screwdriver (see chapter 5.3 “Electrical connection”)



DANGER!

Danger to life from explosion!

Through working in flammable atmospheres, there is a risk of explosion which can cause death.

- ▶ Only carry out set-up work in non-hazardous environments!
- ▶ In hazardous areas, only use temperature transmitters that are approved for those hazardous areas. Observe the approvals on the product label.

EN

5.1 Grounding



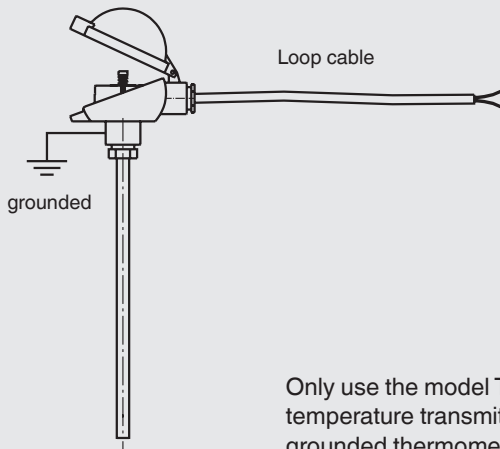
WARNING!

Prevention of electrostatic discharge

When working during a running process operation, measures to prevent electrostatic discharge from the connection terminals should be taken, as a discharge could lead to temporary corruption of the measured value.

- ▶ Only use model T15.H temperature transmitters in grounded thermometer heads!
- ▶ Connection of a resistance sensor (e.g. Pt100) to the T15.R with a shielded cable. The shield must be electrically connected to the case of the grounded thermometer.

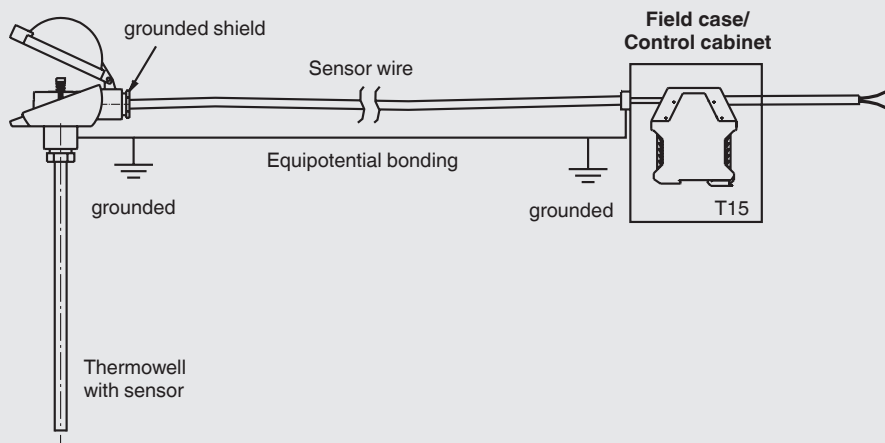
Connection head BSZ



Only use the model T15 temperature transmitter in grounded thermometers!

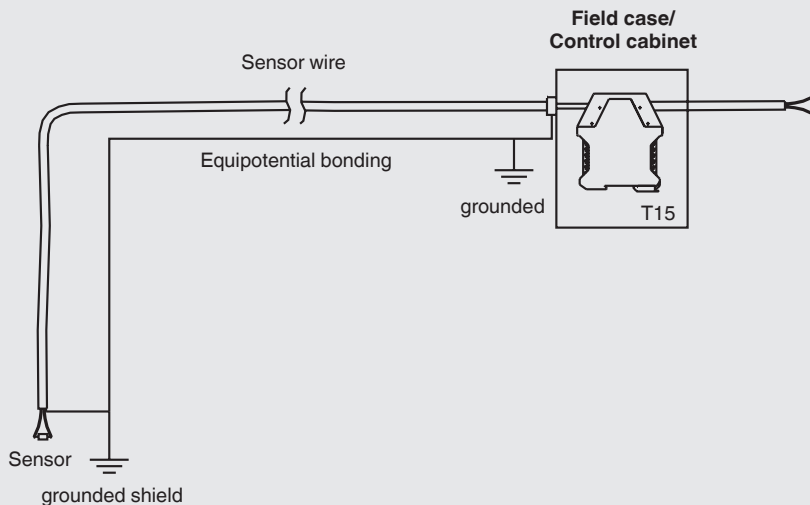
5. Commissioning, operation

Connection head BSZ



In applications with higher EMC requirements, using a shielded cable between the transmitter and the sensor is recommended, especially in connection with long leads to the sensor. For an exemplary illustration, see drawing.

When using the T15.R rail mounting version and supply wires longer than 30 m, using a shielded wire is mandatory.



5.2 Mounting

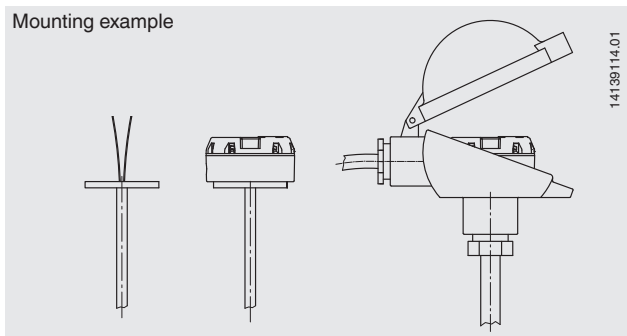
5.2.1 Transmitter in head mounting version (model T15.H)



When fitting the head-mounted version of the transmitter, do not exceed a torque of 1 Nm!

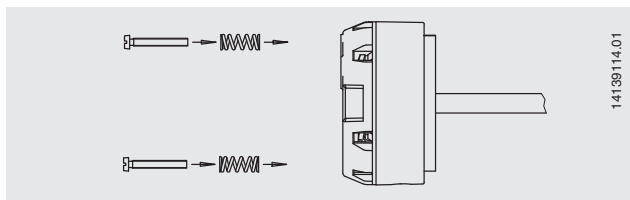
EN

The transmitters for head mounting are designed to be mounted on a measuring insert within a form B, DIN connection head. The connection wires of the measuring insert must be approx. 50 mm long and insulated.



Mounting in connection head

Insert the measuring insert with the mounted transmitter into the protective fitting and secure into the connection head using screws in pressure springs.



Mounting in the connection head cover

When mounting it in the cover of a connection head, use suitable screws and matching washers.

Mounting with DIN rail adapter

With the mechanical adapter, available as an accessory, the T15.H head-mounted transmitters can also be fixed on a DIN rail (see chapter 12 “Accessories”).

5. Commissioning, operation

5.2.2 Transmitter in rail mounting version (model T15.R)

Fasten the rail mounting case onto a 35 mm DIN rail (EN 60175) by simply locking it into place without the need for any tools.

Disassembly involves unlocking the detent element.

EN

5.3 Electrical connection



DANGER!

Danger to life caused by electric current

Upon contact with live parts, there is a direct danger to life.

- ▶ The instrument may only be installed and mounted by skilled personnel.
- ▶ Operation using a defective power supply unit (e.g. short-circuit from the mains voltage to the output voltage) can result in life-threatening voltages at the instrument!
- ▶ Carry out mounting work only with power disconnected.
- ▶ The connected wires must be checked to ensure they are connected properly. Only well-secured wires can guarantee a fault-free operation.
- ▶ The installer must use wire type that has a temperature rating \geq the specified ambient temperature rating.

This is protection class 3 equipment for connection at low voltages, which are separated from the power supply or voltages of greater than AC 50 V or DC 120 V. Preferably, a connection to an SELV or PELV circuit is recommended; alternatively protective measures from HD 60346-4-41 (DIN VDE 0100-410).

Alternatively for North America

The connection can be made in line with “Class 2 Circuits” or “Class 2 Power Units” in accordance with CEC (Canadian Electrical Code) or NEC (National Electrical Code).

The functional galvanic isolation present in the instrument does not ensure sufficient protection against electrical impulses in the sense of EN 61140.

Maximum use altitude: 5,000 m above sea level

Recommended tool for screw terminals

Model	Screwdriver	Tightening torque
T15.H	Cross head ('Pozidriv' tip), size 2 (ISO 8764)	0.5 Nm
T15.R	Slotted, 3 x 0.5 mm (ISO 2380)	0.5 Nm

14139245.07 08/2020 EN/DE

5. Commissioning, operation

5.3.1 Power supply, 4 ... 20 mA current loop

The model T15 is a 2-wire, powered temperature transmitter. Depending on the version, it can be supplied with various types of power supply.

With flexible leads we recommend the use of crimped connector sleeves.

The integrated reverse polarity protection (wrong polarity on the terminals \oplus and \ominus) prevents the transmitter from being damaged.

EN

Maximum values

- Model T15.x-ZZ: DC 35 V
- Model T15.x-AI: DC 30 V
- Model T15.x-AC: DC 30 V
- Model T15.x-AN: DC 35 V
- Model T15.x-AE: DC 35 V

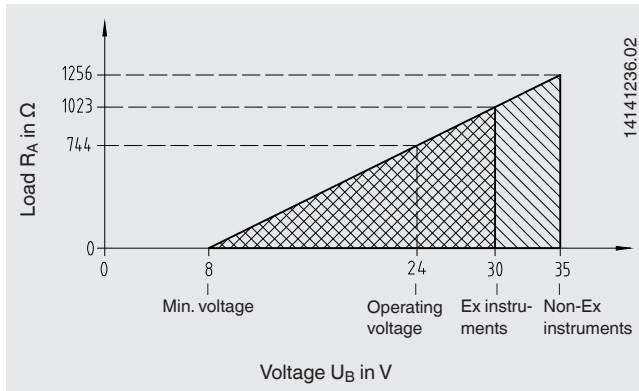
Minimum terminal voltage

DC 8 V

The load must not be too high, as otherwise, in the case of relatively high currents, the terminal voltage at the transmitter will be too low.

Maximum permissible load depending on the supply voltage

Load diagram



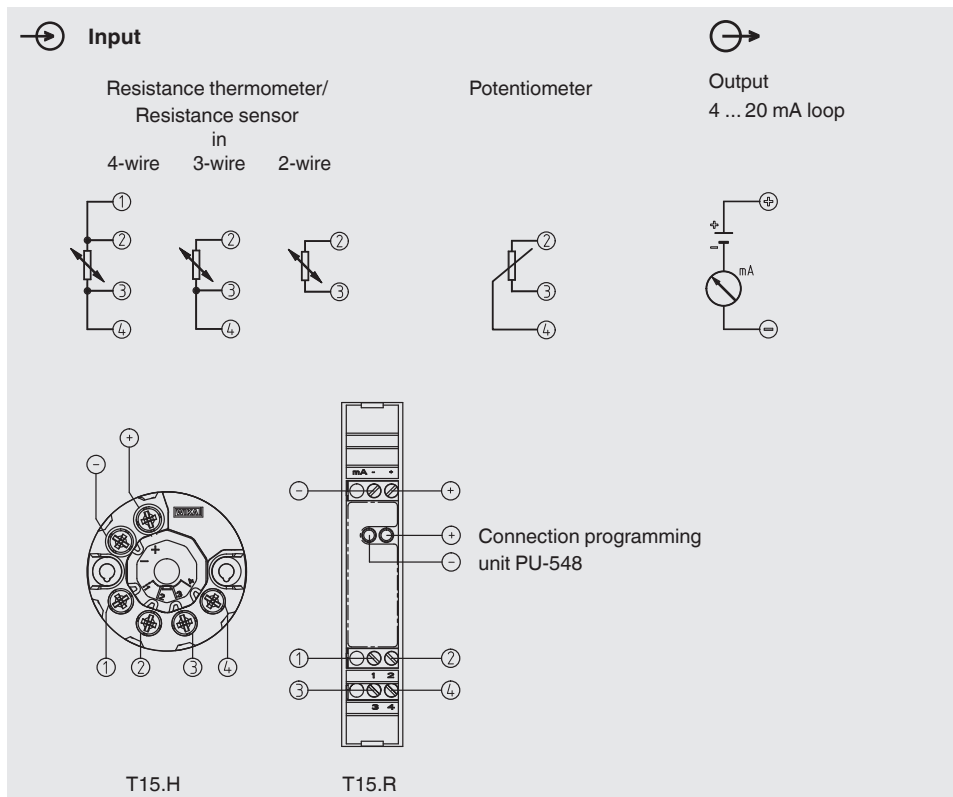
14139245.07 08/2020 EN/DE

5. Commissioning, operation

5.3.2 Sensors

Designation of connection terminals

EN



Resistance thermometer (RTD) and resistance sensor

The connection of a resistance thermometer (e.g. per DIN EN 60751) in a 2-, 3- or 4-wire connection is possible or the connection of a potentiometer in a 3-wire connection. The sensor input of the transmitter must be configured in accordance with the sensor connection type actually used, otherwise a complete use of the possibilities of connection cable compensation is not possible and may potentially cause additional measuring errors.



For the safety-relevant maximum values for the connection of the voltage supply and the sensors, see chapter 11 "Specifications".

14139245.07 08/2020 EN/DE

5.4 Configuration

Configurable are

- Sensor type
- Sensor connection
- Measuring range
- Unit
- Signalling
- Measuring range monitoring
- Damping
- Write protection
- “Several” TAG numbers
- 2-point scaling

The temperature transmitters are delivered with a basic configuration (see data sheet TE 15.01) or configured according to customer specifications. If the configuration is changed afterwards, the modifications must be noted on the product label using a water-resistant fibre-tip pen.



A simulation of the input value is not required to configure the T15. A sensor simulation is only required for the functional test.

5.4.1 Configurable monitoring functionality

Measuring range monitoring:

If this function is activated, an error is signalled on the current loop if the measured value is either below or over the limits of the measuring range.

5.4.2 Configuration via the PC

Configuration is carried out using a USB interface with a PC via the model PU-548 programming unit (see chapter 12 “Accessories”) and the WIKAsoft-TT configuration software.



The required Windows device driver for the PU-548 is installed automatically during the installation setup of WIKAsoft-TT.

Windows® is a registered trademark of Microsoft Corporation in the United States and other countries.

5. Commissioning, operation

5.4.3 Programming unit model PU-548

- Easy to use
- LED status display
- Compact design
- No further voltage supply needed, neither for the programming unit nor for the transmitter
- No driver installation needed (Windows® standard drivers are used)



(replaces programming unit model PU-448)

Connection of the PU-548

Head mounting version,
model T15.H



5.4.4 Configuration software WIKAsoft-TT

The WIKAsoft-TT configuration software is regularly updated and adapted to the firmware extensions of the T15. Thus, full access to all functionalities and parameters of the transmitter is permanently ensured (see chapter 7 “Configuration software WIKAsoft-TT”).



Free download of the current version of the WIKAsoft-TT software at www.wika.com.

6. Special conditions for safe use (X conditions)

6.1 General (all approvals)

The influence of power dissipation of other devices placed beside the transmitter has to be taken into account with regard to a temperature rise of the transmitter's ambient temperature.

Transmitters with "ia" marking may also be used in supply circuits of type "ib" with the same connection parameters. Thus the entire measuring circuit (including the sensor circuit) is an "ib" circuit. Transmitters were operated with supply circuits of type "ib" may not be re-used with supply circuits of type "ia".

6.2 Approval ATEX und IECEx

6.2.1 Models T15.x-AC, T15.x-AI

- The transmitter shall be mounted in an enclosure in accordance with IEC 60079-11 suitable for the relevant installation area. The enclosure has to fulfil at least IP20 for areas requiring EPL Ga, Gb or Gc and IP54 in accordance with IEC 60079-0 for areas requiring EPL Db or Dc.
- During the installation internal wiring, clearances, creepage distances and separations have to be considered according to IEC 60079-11.

6.2.2 Model T15.x-AN

- The transmitter shall be mounted in an enclosure fulfilling at least IP54 in accordance with IEC 60079-0 and IEC 60079-15.
- During the installation clearances, creepage distances and separations have to be considered according to IEC 60079-15.
- The equipment shall only be used in an area of at least pollution degree 2, as defined in IEC 60664-1.
- Maximum overvoltage category II according to IEC 60664-1 is permitted for the circuits.

6.2.3 Model T15.x-AE

- The transmitter shall be mounted in an enclosure fulfilling at least IP54 in accordance with IEC 60079-0 and IEC 60079-7.
- During the installation clearances, creepage distances and separations have to be considered according to IEC 60079-7.
- The equipment shall only be used in an area of at least pollution degree 2, as defined in IEC 60664-1.
- Maximum overvoltage category II according to IEC 60664-1 is permitted for the circuits.

6. Special conditions for safe use (X conditions)

6.3 Approval FM

For installation in Division 2, the transmitter shall be mounted in a final enclosure meeting the requirements of ANSI/UL 121201.

EN

6.3.1 Models T15.x-AC, T15.x-AI

- The transmitters shall be mounted in an enclosure in accordance with ANSI/ISA 60079-11 suitable for the relevant installation area. The enclosure has to fulfil at least IP20.
- During the installation internal wiring, clearances, creepage distances and separations have to be considered according to ANSI/ISA 60079-11.

6.3.2 Model T15.x-AN

- The transmitters shall be mounted in an enclosure fulfilling at least IP54 in accordance with ANSI/ISA 60079-0 and ANSI/ISA 60079-15.
- During the installation clearances, creepage distances and separations have to be considered according to ANSI/ISA 60079-15.
- The equipment shall only be used in an area of at least pollution degree 2, as defined in ANSI/ISA 61010-1 resp. IEC 60664-1.
- Maximum overvoltage category II in accordance with ANSI/ISA 61010-1 resp. IEC 60664-1 is permitted for the circuits.

6.3.3 Model T15.x-AE

- The transmitters shall be mounted in an enclosure fulfilling at least IP54 in accordance with ANSI/ISA 60079-0 and ANSI/ISA 60079-7.
- During the installation clearances, creepage distances and separations have to be considered according to ANSI/ISA 60079-7.
- The equipment shall only be used in an area of at least pollution degree 2, as defined in ANSI/ISA 61010-1 resp. IEC 60664-1.
- Maximum overvoltage category II in accordance with ANSI/ISA 61010-1 resp. IEC 60664-1 is permitted for the circuits.

6. Special conditions for safe use (X conditions)

6.4 Approval CSA

6.4.1 Model T15.x-AIx

- These models are designated for installation inside a suitable enclosure providing degree of protection at least IP20 for EPL Ga or Gb application.
- The enclosure may be located in EPL Ga area (zone 0), EPL Gb area (zone 1), or optionally in the safe area.
- The influence of power dissipation of other devices placed beside the transmitter has to be taken into account with regard to temperature rise of the transmitter's ambient temperature.
- During the installation internal wiring, clearances, creepage distances and separations have to be considered according to CAN/CSA C22.2 No. 60079-11.

6.4.2 Model T15.x-ACx

- These models are designated for installation inside a suitable enclosure providing degree of protection at least IP20 for EPL Gc application.
- The enclosure may be located in EPL Gc area (zone 2), or optionally in the safe area.
- The influence of power dissipation of other devices placed beside the transmitter has to be taken into account with regard to temperature rise of the transmitter's ambient temperature.
- During the installation internal wiring, clearances, creepage distances and separations have to be considered according to CAN/CSA C22.2 No. 60079-11.

6.4.3 Model T15.x-AEx

- The power supplied to the transmitter must be from a limited-energy electrical circuit in accordance with CAN/CSA C22.2 No. 61010-1, or LPS according to CAN/CSA C22.2 No. 60950-1, and Class 2 as defined in the Canadian Electrical Code C22.1, section 16-200.
- This is OPEN type equipment that must be installed within a suitable end-use enclosure that requires a tool to access, and is appropriately certified (e.g. Ex ec, Ex nA, or equivalent protection for EPL "Gc"), providing a minimum ingress protection level of IP54. The suitability of the enclosure is subject to investigation by the local authority having jurisdiction at the time of installation.
- Wiring to or from this equipment, which enters or leaves the system enclosure, must utilize wiring methods suitable for class I, division 2 and/or class I, zone 2 hazardous locations, as appropriate for the installation.
- The influence of power dissipation of other devices placed beside the transmitter has to be taken into account with regard to temperature rise of the transmitter's ambient temperature.
- The equipment shall only be used in an area of at least pollution degree 2, with maximum overvoltage category II as defined in IEC 60664-1.

EN

7. Configuration software WIKAsoft-TT

7. Configuration software WIKAsoft-TT

For installation please follow the instructions of the installation routine.

EN

7.1 Starting the software

Start the configuration software by double-clicking on the WIKAsoft-TT icon.

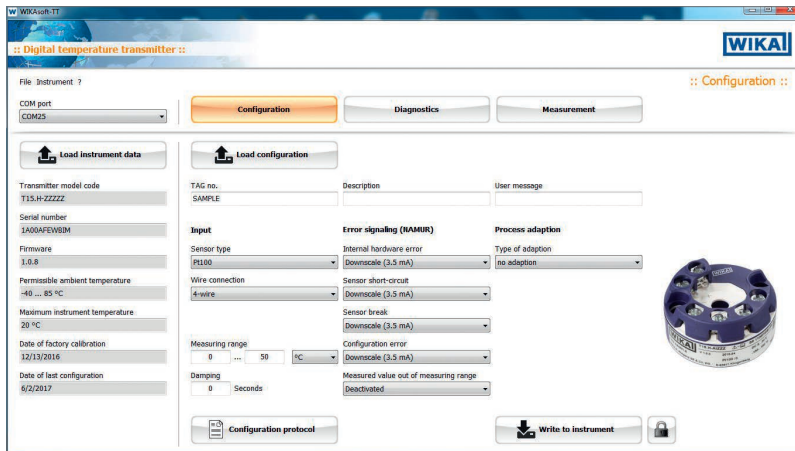
After starting the software, the language can be changed, via the selection of the appropriate country's flag.

The selection of the COM port is made automatically.

After the connection of a transmitter (using the PU-548), on pressing the "Start" button, the configuration interface is loaded.



The configuration interface can only be loaded when an instrument is connected.



7.2 Configuration procedure

Steps 1 and 2 are carried out automatically when starting the software.

1. "Loading the instrument data"
2. "Loading configuration"
3. [optional] Cancel write protection ("key" symbol at the bottom right)
4. Change the required parameters
→ Sensor/Measuring range/Error signalling etc.
5. "Save to the instrument"
6. [optional] Activate write protection
7. [optional] Print configuration protocol
8. [optional] Test: "Loading configuration" → checking the configuration

7.3 Fault diagnosis

Here, in the event of an "error detected by the transmitter", the error message is displayed.

Examples: Sensor break, permitted highest temperature exceeded, etc.

In normal operation, "No fault - No maintenance requirement" is displayed here.

7.4 Measured values

Line recorder - Here the measured value progression is represented in the format of a chart recorder with a constant sampling rate in a defined time interval (180 seconds) and a variable temperature axis.

The display purely serves as a functional check and for information.

An export of the data is not possible.

7.5 Configure several instruments identically

■ First instrument

1. "Loading configuration"
2. [optional] Cancel write protection ("key" symbol at the bottom right)
3. Change the required parameters
4. "Save to the instrument"
5. [optional] Activate write protection

■ All subsequent instruments

1. "Loading the instrument data"
2. [optional] Cancel write protection
3. [optional] Change the required parameters, e. g. TAG number
4. "Save to the instrument"
5. [optional] Activate write protection



For further information, see chapter 1 "General information", "Contact data" or the back page of these operating instructions

8. Faults

EN



DANGER!

Danger to life from explosion

Through working in flammable atmospheres, there is a risk of explosion which can cause death.

- ▶ Only rectify faults in non-flammable atmospheres!



CAUTION!

Physical injuries and damage to property and the environment

If faults cannot be eliminated by means of the listed measures, the instrument must be taken out of operation immediately.

- ▶ Ensure that there is no longer any signal present and protect against being put into operation accidentally.
- ▶ Contact the manufacturer.
- ▶ If a return is needed, please follow the instructions given in chapter 10.1 “Return” and enclose a short description of the problem, details of ambient conditions as well as the time of use before the problem occurred with the temperature transmitter.

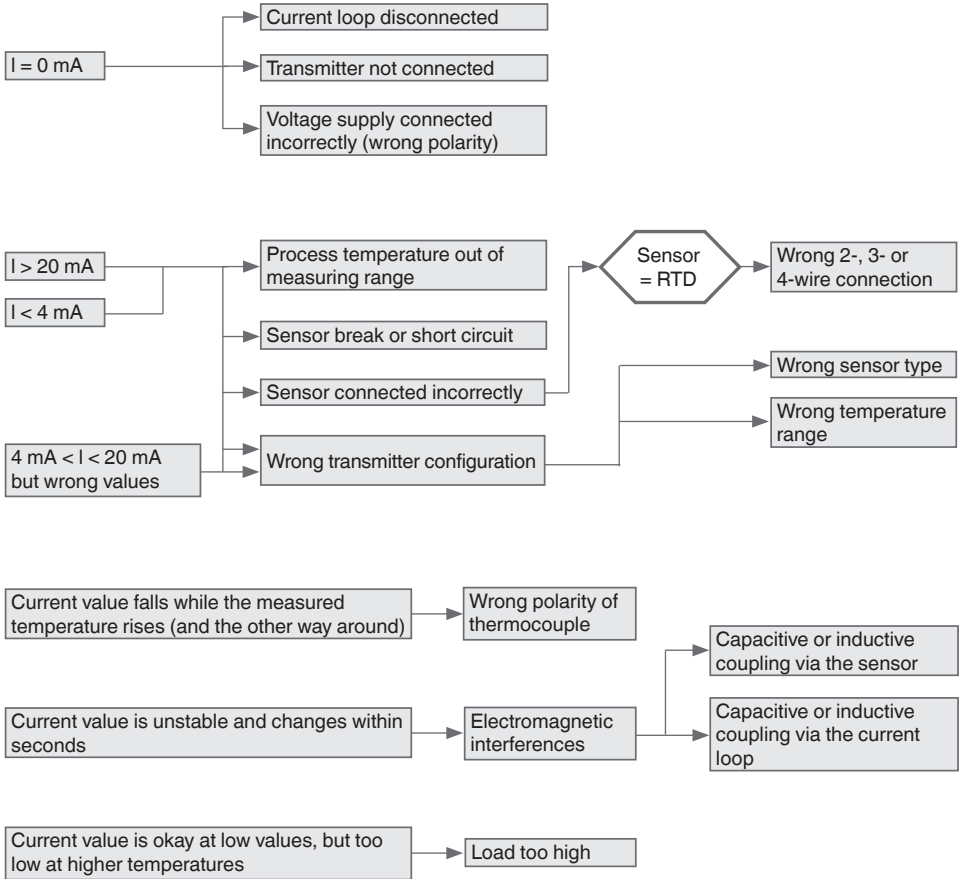


For contact details, please see chapter 1 “General information” or the back page of the operating instructions.

8. Faults

EN

Fault tree



9. Maintenance

EN



For contact details, please see chapter 1 “General information” or the back page of the operating instructions.

The temperature transmitter described in these operating instructions is maintenance-free. The electronics are completely encapsulated and incorporate no components which could be repaired or replaced.

Repairs must only be carried out by the manufacturer.
Only use original parts.

10. Return and disposal

10.1 Return

Strictly observe the following when shipping the instrument:

All instruments delivered to WIKA must be free from any kind of hazardous substances (acids, bases, solutions, etc.) and must therefore be cleaned before being returned.

When returning the instrument, use the original packaging or a suitable transport packaging.

To avoid damage:

1. Place the instrument, along with the shock-absorbent material, in the packaging.
Place shock-absorbent material evenly on all sides of the transport packaging.
2. If possible, place a bag containing a desiccant inside the packaging.
3. Label the shipment as carriage of a highly sensitive measuring instrument.



Information on returns can be found under the heading “Service” on our local website.

10.2 Disposal

Incorrect disposal can put the environment at risk.

Dispose of instrument components and packaging materials in an environmentally compatible way and in accordance with the country-specific waste disposal regulations.



Do not dispose of with household waste. Ensure a proper disposal in accordance with national regulations.

11. Specifications



DANGER!

Danger to life due to loss of explosion protection

The non-observance of the instructions for use in hazardous areas can lead to the loss of the explosion protection.

- ▶ Adhere to the following limit values and instructions.

Specifications	Model T15
Permissible ambient temperature range	{-50} -40 ... +85 {+105} °C {-58} -40 ... +185 {+221} °F
Climate class per IEC 654-1:1993	Cx (-40 ... +85 °C / -40 ... +185 °F, 5 ... 95 % r. h.)
Maximum permissible humidity	
■ Model T15.H per IEC 60068-2-38:2009	Test max. temperature variation 65 °C (149 °F) / -10 °C (14 °F), 93 % ±3 % r. h.
■ Model T15.R per IEC 60068-2-30:2005	Test max. temperature 55 °C (131 °F), 95 % r. h.
Vibration resistance per IEC 60068-2-6:2008	Test Fc: 10 ... 2,000 Hz; 10 g, amplitude 0.75 mm (0.03 in)
Shock resistance per IEC 68-2-27:2009	Acceleration / shock width Model T15.H: 100 g / 6 ms Model T15.R: 30 g / 11 ms
Salt fog per IEC68-2-52:1996, IEC 60068-2-52:1996	Severity level 1
Condensation	Model T15.H: Acceptable Model T15.R: Acceptable in vertical mounting position
Free fall in line with IEC 60721-3-2:1997, DIN EN 60721-3-2:1998	Drop height 1.5 m (4.9 ft)
Electromagnetic compatibility (EMC) ¹⁾ per DIN EN 55011:2010, DIN EN 61326-2-3:2013, NAMUR NE21:2012, GL 2012 VI part 7	EN 61326 emission (group 1, class B) and interference immunity (industrial application) [HF field, HF cable, ESD, Burst, Surge]

{ } Items in curved brackets are options for an additional price, not for ATEX versions of the head mounting version and not for T15.R rail mounting version

1) In the event of interference caused by high-frequency electromagnetic fields in a frequency range from 80 to 400 MHz, an increased measuring deviation of up to 0,8 % is expected. During transient interferences (e.g. burst, surge, ESD) take into account an increased measuring deviation of up to 1,5 %.

11. Specifications

11.1 Safety-related characteristic values for models T15.x-AI, T15.x-AC

Intrinsically safe connection values for the current loop (4 ... 20 mA)

Level of protection Ex ia IIC/IIB/IIA, Ex ia IIIC or Ex ic IIC/IIB/IIA

EN

Parameters	Models T15.x-AI, T15.x-AC	Model T15.x-AI
	Gas hazardous application	Dust hazardous application
Terminals	+ / -	+ / -
Voltage U_i	DC 30 V	DC 30 V
Current I_i	130 mA	130 mA
Power P_i	800 mW	750/650/550 mW
Effective internal capacitance C_i	18.4 nF	18.4 nF
Effective internal inductance L_i	20 μ H	20 μ H

Sensor circuit

Parameters		Model T15.x-AI	Model T15.x-AC
		Ex ia IIC/IIB/IIA Ex ia IIIC	Ex ic IIC/IIB/IIA
Terminals		1 - 4	1 - 4
Voltage U_o		DC 30 V	DC 30 V
Current I_o		8.2 mA	8.2 mA
Power P_o		62 mW	62 mW
Max. external capacitance C_o	IIC	30 nF ²⁾	180 nF ²⁾
	IIB IIIC	0.520 μ F ²⁾	1.37 μ F ²⁾
	IIA	1.70 μ F ²⁾	5.40 μ F ²⁾
Max. external inductance L_o	IIC	1 mH	2 mH
	IIB IIIC	1 mH	2 mH
	IIA	1 mH	2 mH
Characteristics		Linear	

Notes:

U_o : Maximum voltage of any conductor against the other three conductors

I_o : Maximum output current for the least favourable connection of the internal current limiting resistors

P_o : $U_o \times I_o$ divided by 4 (linear characteristic)

2) Internal L and C is already taken into account

The electrical parameters of the head and rail mounting versions are identical.

14139245.07_08/2020 EN/DE

11. Specifications

Models T15.x-AI

The intrinsically safe sensor circuit (optional 2-wire, 3-wire or 4-wire configuration) for both versions is intended for the supply of equipment in areas with 1G or 1D requirements. The version T15.H-AI is designed for installation in cases or connection heads in areas with 1G, 2G or 1D, 2D requirements.

The version T15.R-AI is intended for installation in a case which guarantees at least ingress protection IP20 (2G application or installation outside the hazardous area) or IP6x (2D application).

Ambient temperature range

Application	Ambient temperature range	Temperature class	Power P_i
Group II	$-40\text{ °C } (-40\text{ °F}) \leq T_a \leq +85\text{ °C } (+185\text{ °F})$	T4	800 mW
	$-40\text{ °C } (-40\text{ °F}) \leq T_a \leq +70\text{ °C } (+158\text{ °F})$	T5	800 mW
	$-40\text{ °C } (-40\text{ °F}) \leq T_a \leq +55\text{ °C } (+131\text{ °F})$	T6	800 mW
Group IIIC	$-40\text{ °C } (-40\text{ °F}) \leq T_a \leq +40\text{ °C } (+104\text{ °F})$	N / A	750 mW
	$-40\text{ °C } (-40\text{ °F}) \leq T_a \leq +75\text{ °C } (+167\text{ °F})$	N / A	650 mW
	$-40\text{ °C } (-40\text{ °F}) \leq T_a \leq +85\text{ °C } (+185\text{ °F})$	N / A	550 mW

N / A = not applicable

11.2 Safety-related characteristic values for models T15.x-AN, T15.x-AE

Power and signal circuit (4 ... 20 mA loop)

Level of protection Ex nA IIC/IIB/IIA

Parameters	Models T15.x-AN, T15.x-AE
	Gas hazardous application
Terminals	+ / -
Voltage U_i	DC 35 V
Current I_i	21.5 mA

Sensor circuit

Level of protection Ex nA IIC/IIB/IIA

Parameters	Models T15.x-AN, T15.x-AE
Terminals	1 - 4
Power P_o	0.33 mW DC 3.3 V 0.1 mA

11. Specifications / 12. Accessories

Ambient temperature range

Application	Ambient temperature range	Temperature class
Group II	$-40\text{ °C } (-40\text{ °F}) \leq T_a \leq +85\text{ °C } (+185\text{ °F})$	T4
	$-40\text{ °C } (-40\text{ °F}) \leq T_a \leq +70\text{ °C } (+158\text{ °F})$	T5
	$-40\text{ °C } (-40\text{ °F}) \leq T_a \leq +55\text{ °C } (+131\text{ °F})$	T6





N / A = not applicable

11.3 Versioning per NAMUR NE53

Firmware version	Comments	WIKAsoft-TT	Modem
V 1.0.0	First "Launch" version of the T15	v 1.2	PU-448 (S. no. < 10000) or PU-548
V 1.0.6	-	v 1.3	PU-448 (S. no. > 10000) or PU-548
V 1.1.4	Current version	v 1.7	PU-448 (S. no. > 10000) or PU-548

For further specifications see WIKA data sheet TE 15.01 and the order documentation.

12. Accessories

Model	Special features	Order no.
Programming unit Model PU-548 	<ul style="list-style-type: none"> ■ Simple operation ■ LED status display ■ Compact design ■ No further voltage supply is needed for either the programming unit or for the transmitter ■ No driver installation needed (Windows® standard drivers are used) ■ 2 mm banana plug ■ Incl. 1 model magWIK magnetic quick connector <p>(replaces programming unit model PU-448)</p>	14231581
Magnetic quick connector magWIK 	<ul style="list-style-type: none"> ■ Replacement for fine alligator clips and HART® terminals ■ Fast, safe and tight electrical connection ■ For all configuration and calibration processes ■ 2 mm socket ■ Incl. 2 adapters (2 mm to 4 mm socket) 	14026893
Adapter 	<ul style="list-style-type: none"> ■ Suitable for TS 35 per DIN EN 60715 (DIN EN 50022) or TS 32 per DIN EN 50035 ■ Material: Plastic / stainless steel ■ Dimensions: 60 x 20 x 41.6 mm (2.3 x 0.7 x 1.6 in) 	3593789
Adapter 	<ul style="list-style-type: none"> ■ Suitable for TS 35 per DIN EN 60715 (DIN EN 50022) ■ Material: Steel, tin-plated ■ Dimensions: 49 x 8 x 14 mm (1.9 x 0.3 x 0.5 in) 	3619851

14139245.07 08/2020 EN/DE

14139245.07.08/2020 EN/DE

A

B

C

D

E

F

Related to FM19US0154X and CSA20C48003934X

HAZARDOUS LOCATION :

T15H-AF
Group 1, Division 1, Class A, B, C, D
Class 1, Zone 0, I, Group A-F

T15H-AP
Group 1, Division 1, Class A, B, C, D
Class 1, Zone 1, Group A, B, C, D

THERMOMETER

INTRINSICALLY SAFE INSTALLATION - ENTITY PARAMETERS

NON HAZARDOUS LOCATION

INTRINSICALLY SAFE

TRANSMITTER
SERIES T15 "AI"

ENTHREEPER
CERTIFIED INTRINSICALLY SAFE

FM APPROVED / CSA CERTIFIED
ASSOCIATED APPARATUS

CONTROL
EQUIPMENT

1

2

3

4

5

6

7

8

Intrinsically safe supply and signal circuit (4-20 mA current loop)

Parameters	Transmitter models
Terminals	T15 "AI"
Voltage U _i	gas application
Current I _i	DC 30 V
Effective internal capacitance C _i	150 nA
Effective internal inductance L _i	18 nH
	20 µH

Sensor circuit

Parameters	Transmitter models
Level of protection	Ex ia IIC (B)IIA
Terminals	1 - 4
Voltage U _i	DC 30 V
Current I _i	62 mA/IV
Power P _i	30 mW
Max. external capacitance C _e ⁽¹⁾	30 µF
Max. external inductance L _e ⁽¹⁾	1.70 µH
	1 mH
	1 nH
	1 A
Characteristics	Linear

Remarks: U_i: maximum voltage of any wire versus the other three wires
 P_i: maximum output current for worst case connection of the internal current limiting resistors
 C_i, U_i & I_i divided by 4 (linear characteristic)
 L_i, U_i & I_i divided by 16 (linear characteristic)
 (1) Internal L and C is already taken into account

Notes:

- The Intrinsic Safety Entity concept allows the interconnection of two intrinsically safe devices with entity parameters not specifically examined in combination as a system when:
 - V_{max} or I₂ ≥ V₁ or I₂; I_{max} or I₂ ≥ I₁; or: I₂ ≤ I₁; or: P₂ ≤ P₁; C₂ ≥ C₁ + C₂ cable;
 - L₂ ≥ L₁ + L₂ cable.
- All thermometers that are connected to Series T15 transmitter must be either Simple Apparatus or an accordingly certified thermometer.
- Control equipment connected to the Associated Apparatus must not use or generate more than 250 Vrms or Vdc.
- Installation should be in accordance with the Canadian Electrical Code (CEC) Part 1 for Canada or with ANS/ISA AP2.06.01 "Installation of Intrinsically Safe Systems for Hazardous (Classified) Locations" and the National Electrical Code (ANSI/NFPA 70) Sections 514 and 515 for USA.
- The configuration of Associated Apparatus must be under entity concept.
- Associated Apparatus manufacturer's installation drawing must be followed when installing this equipment.
- No revision to this drawing without prior approval by CSA and FM Approvals.
- Transmitter must be installed in suitable metal enclosure

REVISION

NO.	REVISION	DATE

Model (1)
 Page (1)

REVISION

Model (1)
 Page (1)

APPROVAL DRAWING

Drawing number: 14305564.03

ZULASSUNGSNUMMER

14305564.03

EN

Related to FM19US015-X and CSA20CA80033934-X

NONINCENDIVE FIELD WIRING INSTALLATION - NEW PARAMETERS

nonincendive field wiring as identified below.

HAZARDOUS LOCATION :

NON HAZARDOUS LOCATION

- Class 1, Division 2, Groups A, B, C, D
- Class 1, Division 2, Groups A, B, C, D
- Class 1, Zone 2, Group IIC

THERMOMETER

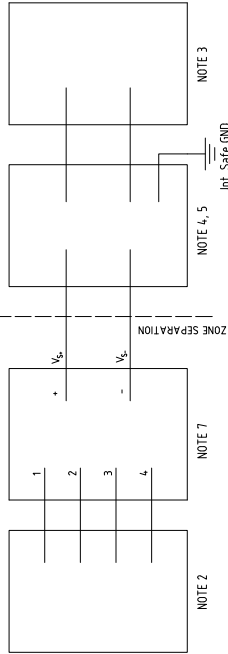
TRANSMITTER
SERIES T15-"AI",
T15-"AC"

ENTITY APPROVED /
CERTIFIED NONINCENDIVE FIELD WIRING

CSA OR FM APPROVED
ASSOCIATED APPARATUS
NONINCENDIVE FIELD WIRING APPARATUS

Supply and signal circuit (4-20 mA current loop)

Parameters	Transmitter models T15-"AI", T15-"AC"
Terminals	gas application + / -
Voltage U _i	DC 30 V
Current I _e	130 mA
Power P _o	800 mW
Effective internal capacitance C _i	18.4 nF
Effective internal inductance L _i	20 µH



Sensor circuit	
Parameters	Transmitter models T15-"AI", T15-"AC"
Terminals	1 - 4
Voltage U _i	DC 30 V
Current I _e	8.2 mA
Power P _o	62 mW
Max. external capacitance C _i ⁽¹⁾	IIC 180 nF
Max. external inductance L _i ⁽¹⁾	I/A 5.40 µH I/B 2 mH I/C 2 mH I/A 2 mH
Characteristics	Linear

Remarks: U_i: maximum voltage of any wire versus the other three wires
 L_i: maximum inductance for worst case connection of the internal current limiting resistors
 P_o: U_i x I_e divided by 4 (linear characteristic)
 The IS supply and signal circuit and the IS sensor circuit are considered as galvanically connected to each other.
⁽¹⁾ Internal L and C is already taken into account.

- Notes:**
1. Nonincendive field wiring enables interconnection of nonincendive field wiring apparatus with associated nonincendive field wiring apparatus or associated intrinsically safe apparatus not specifically examined in combination as a system under one of the following conditions:
 - a) Current Controlled
 - b) Normal operating current controlled or limited by the nonincendive field wiring apparatus (unless the equipments for intrinsically safe apparatus limit or if the nonincendive field wiring apparatus need not be greater than the Is, I_e or I_o of the associated nonincendive field wiring apparatus)
 - c) Not current controlled
 2. Normal operating voltage or current not controlled or limited by the nonincendive field wiring apparatus
 - a) -Vmax or U_i ≥ Vcc, V_o or I_o; C_a ≥ C_i + C_{able}; L_a ≥ L_i + L_{able}
 - b) -Vmax or U_i ≥ Vcc, V_o or I_o; I_{max} or I_o ≥ Is, I_e or I_o; C_a ≥ C_i + C_{able}; L_a ≥ L_i + L_{able}
 3. All thermometers that are connected to Series T15 transmitter must be either Simple Apparatus or an accordingly certified thermometer.
 4. Control equipment connected to the Associated Apparatus must not use or generate more than 250 Vrms or Vdc.
 5. Installations should be in accordance with the Canadian Electrical Code (CEC) Part I for Canada or the National Electrical Code® (NFPA70) Sections 504 and 505 for USA.
 6. The configuration of Associated Apparatus must be under entity or non-incendive field wiring concept.
 7. Associated Apparatus manufacturer's installation drawing must be followed when installing this equipment.
 8. No revision to this drawing without prior approval by CSA and FM Approvals.
 9. Transmitter must be installed in suitable rated enclosure

All warnings + Tamb on last page

ZUL CONTROL DRAWING INSTALLATION DRAWING TYPE T15-***FR/CSA
APPROVAL DRAWING
 ZUL-LESSIONSBESTÄTIGEN

Item no. / Article-Nr.
14.36554.03

14139245.07_08/2020 EN/DE

All rights as well as rights to register patents and other property rights reserved. Any reproduction or disclosure only with authorization from WIKA.
 Printed version. No liability for change management and not subject to update service and are not considered valid.
 Ausgedruckte Versionen unterliegen nicht dem Änderungsdienst und haben keinen Anspruch auf Aktualität.
 Alle Rechte sowie Rechte zur Anmeldung von Patenten und anderen Schutzrechten vorbehalten. Vervielfältigung und Weitergabe nur mit Genehmigung durch WIKA.

Related to FM19US0154X and CSA20CA80033934X

GENERAL DIVISION 2 WIRING INSTALLATION – ELECTRICAL RATINGS

HAZARDOUS LOCATION :

All models series T15:
 Class 1, Division 2, Groups A, B, C, D

NON HAZARDOUS LOCATION

TRANSMITTER
 All models series T15.*

ELECTRICAL RATINGS ALL MODELS SERIES T15.*

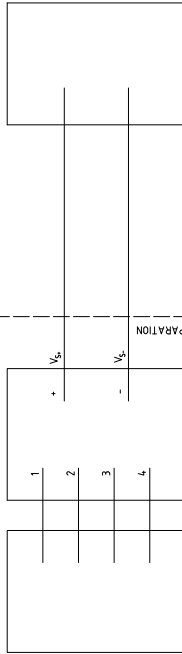
Loop Terminals * and -

$V_{max} = DC 35 V$

THERMOMETER

SENSOR MAY BE INSTALLED USING NONINCENDIVE FIELD WIRING

CONTROL EQUIPMENT



All warnings * Tamb on last page

NOTE 2

NOTE 3

Notes:

1. Transmitter must be installed in suitable rated enclosure.
2. All thermometers that are connected to Series T15 transmitter must be either Simple Apparatus or an accordingly certified thermometer.
3. Installation should be in accordance with the Canadian Electrical Code (CEC) Part I for Canada or the National Electrical Code® (ANSI/NFPA70) Sections 501 for USA.
4. No revision to this drawing without prior approval by CSA and FM Approvals.
5. When NFW are not used the Temperature Transmitter shall be installed in a final equipment enclosure using division 2 wiring methods in compliance with the enclosure, mounting and segregation requirement of the ultimate application.

Worksheet
 Page: 08

REVISION

NO.	DATE	DESCRIPTION
01		
02		
03		
04		
05		
06		
07		
08		
09		
10		

CON0505 03
 CON0546 02
 ZF0919 01
 ZF0919 01
 ZF0919 01
 ATLAS®
 © by WIKA

ZUR CONTROL DRAWING INSTALLATIONSEITIGE TYP 15... FM/CSA
 APPROVAL DRAWING
 ZULASSUNGSNÜMERLAGE

Item no. / Artikel-Nr.
 14_365544_03

Related to FM19US0154X and CSA20CA80033934X

English warning text

"WARNING - To prevent ignition of flammable or combustible atmospheres, disconnect power before servicing." (with reference to page 3)

"WARNING - Refer to accompanying installation, operating & service instructions for safe and proper usage." (with reference to all pages)

"WARNING - An enclosure is constituted from plastics. To prevent the risk of electrostatic discharge, the enclosure should only be cleaned with a damp cloth." (with reference to all pages)

French warning text

"AVERTISSEMENT - Pour éviter l'ignition des atmosphères inflammables ou combustibles, veuillez lire, comprendre et respecter les procédures d'entretien ci-jointes." (en référence à la page 3)

"AVERTISSEMENT - Se référer aux instructions concernant l'installation, le fonctionnement et le service pour une utilisation sûre et correcte." (avec référence à toutes les pages)

"AVERTISSEMENT - Le boîtier est réalisé en matière plastique. Afin de prévenir tout risque d'étincelle électrostatique, la surface en plastique doit uniquement être nettoyée à l'aide d'un chiffon humide." (avec référence à toutes les pages)

Ambient temperature range T15, "-A", T15, "-AC"

Application	Ambient temperature range	Temperature class	Power P _c
Group II	-40 °C ≤ T _a ≤ +55 °C	T4	600 mW
	-40 °C ≤ T _a ≤ +55 °C	T5	800 mW
	-40 °C ≤ T _a ≤ +55 °C	T6	800 mW
N/A = not applicable			

Ambient temperature range T15, "-AN", T15, "-AE"

Application	Ambient temperature range	Temperature class
Group II	-40 °C ≤ T _a ≤ +55 °C	T4
	-40 °C ≤ T _a ≤ +70 °C	T5
	-40 °C ≤ T _a ≤ +55 °C	T6

Specific Conditions of Use:

All Models

- The influence of power dissipation of other devices placed beside the transmitter has to be taken into account with regard to temperature rise of the transmitter's ambient temperature.
- For installation in Division 2, the transmitter shall be mounted in a final enclosure meeting the requirements of ANSI/UL 121/201

Models T15, "-AC***", T15, "-AC***", T15, "-A***", * and T16, "-A***", *

- The transmitter shall be mounted in an enclosure in accordance with ANSI/ISA 60079-11 suitable for the relevant installation area. The enclosure shall fulfil at least IP 20.
- During the installation internal wiring, clearances, creepage distances and separations have to be considered according to ANSI/ISA 60079-11.

Models T15, "-AN***", * and T16, "-AN***", *

- The transmitters shall be mounted in an enclosure fulfilling at least IP 54 in accordance with ANSI/UL 60079-0 and ANSI/ISA 60079-15.
- During the installation clearance, creepage distances and separations shall be considered according to ANSI/ISA 60079-15.

Models T15, "-AE***", * and T16, "-AE***", *

- The equipment shall only be used in an area of at least pollution degree 2, as defined in IEC 60684-1, resp. IEC 60684-1.
- Maximum overvoltage category II in accordance with ANSI/UL 61010-1, resp. IEC 60684-1 is permitted for the circuits.

Models T15, "-AE***", * and T16, "-AE***", *

- The transmitters shall be mounted in an enclosure fulfilling at least IP 54 in accordance with ANSI/UL 60079-0 and ANSI/UL 60079-7.
- During the installation clearance, creepage distances and separations shall be considered according to ANSI/UL 60079-7.
- The equipment shall only be used in an area of at least pollution degree 2, as defined in ANSI/UL 61010-1 resp. IEC 60684-1.
- Maximum overvoltage category II in accordance with ANSI/UL 61010-1 resp. IEC 60684-1 is permitted for the circuits.

All rights as well as rights to register patents and other property rights reserved. Any reproduction or disclosure, even with authorization from WIKA, without the written consent of WIKA is prohibited. WIKA reserves the right to change specifications and design without notice and without obligation from WIKA. All Rechte sowie Rechte zur Anmeldung von Patenten und anderen Schutzrechten vorbehalten. Vertriebsrecht in Deutschland. WIKA behält sich das Recht vor, Änderungen an den technischen Zeichnungen und den Produktdaten ohne vorherige Ankündigung vorzunehmen. Nachdruck, Vervielfältigung und Verbreitung, auch auszugsweise, ist ohne schriftliche Genehmigung von WIKA. Ausgesendete Versionen unterliegen nicht dem Änderungsrecht und haben keinen Anspruch auf Aktualität.

Wika-Info
Fragezeile

REVISION	DATE	DESCRIPTION
01	27.08.19	first production
02	02.05.24	change of material
03	02.05.24	change of material

ZUL CONTROL DRAWING INSTALLATIONDRAWING TYPE T15,--- FM/CSA
APPROVAL DRAWING
ZULASSUNGSUNTERLAGEN

Item no. / Artikel-Nr.:
14-365544.03

Frame/FRT_03_14.08.2015



EU-Konformitätserklärung EU Declaration of Conformity

Dokument Nr.: 14146154.04
Document No.:

Wir erklären in alleiniger Verantwortung, dass die mit CE gekennzeichneten Produkte
We declare under our sole responsibility that the CE marked products

Typenbezeichnung: T15.*-ZZ*, T15.*-AI*(1), T15.*-AC*(2), T15.*-AE*(3), T15.*-AN*(4)
Type Designation: T16.*-ZZ*, T16.*-AI*(1), T16.*-AC*(2), T16.*-AE*(3), T16.*-AN*(4)

Beschreibung: Digitaler Temperatur Transmitter, Kopf- oder Schienenmontage
Description: Digital temperature transmitter head or rail mounting

gemäß gültigem Datenblatt: TE 15.01, TE 16.01
according to the valid data sheet:

die wesentlichen Schutzanforderungen der folgenden Richtlinien erfüllen: **Harmonisierte Normen:**
comply with the essential protection requirements of the directives: **Harmonized standards:**

2011/65/EU	Gefährliche Stoffe (RoHS) Hazardous substances (RoHS)	EN 50581:2012
2014/30/EU	Elektromagnetische Verträglichkeit (EMV) Electromagnetic Compatibility (EMC)	EN 61326-1:2013 EN 61326-2-3:2013
2014/34/EU	Explosionsschutz (ATEX) Explosion protection (ATEX)	
	II 1G Ex ia IIC T6...T4 Ga	(1) EN IEC 60079-0:2018 EN 60079-11:2012
	II 2 (1) G Ex ia [Ia Ga] IIC T6...T4 Gb	
	II 1D Ex ia IIIC T135 °C Da	
	II 2 (1) D Ex ia [Ia Da] IIIC T135 °C Db	
	II 3 G Ex ic IIC T6...T4 Gc X	(2) EN IEC 60079-0:2018 EN 60079-11:2012
	II 3 G Ex ec IIC T6...T4 Gc X	(3) EN IEC 60079-0:2018 EN IEC 60079-7:2015/A1:2018
	II 3 G Ex nA IIC T6...T4 Gc X	(4) EN IEC 60079-0:2018 EN 60079-15:2010

(1) EU-Baumusterprüfbescheinigung BVS 19 ATEX E 020 X von DEKRA Testing and Certification GmbH, D-70565 Stuttgart (Reg.-Nr. 0158),
EU-type examination certificate BVS 19 ATEX E 020 X of DEKRA Testing and Certification GmbH, D-70565 Stuttgart (Reg. no. 0158).

(2), (3), (4) Modul A, interne Fertigungskontrolle
Module A, internal control of production

Untersignet für und im Namen von / Signed for and on behalf of

WIKAL Alexander Wiegand SE & Co. KG

Klingenberg, 2019-07-18

i.V. S. Heidinger

Stefan Heidinger, Vice President Electrical
Temperature Measurement

Franz Josef Vogel

Franz Josef Vogel, Executive Vice President
Process Instrumentation

WIKAL Alexander Wiegand SE &
Co. KG
Alexander-Wiegand-Straße 30
63911 Klingenberg
Germany

Tel. +49 9372 132-0
Fax +49 9372 132-406
E-Mail info@wika.de
www.wika.de

Kommanditgesellschaft, Sitz Klingenberg –
Amtsgericht Aschaffenburg HRA 1619

Komplementärin:
WIKAL International SE - Sitz Klingenberg -
Amtsgericht Aschaffenburg HRB 10505
Vorstand: Alexander Wiegand
Vorsitzender des Aufsichtsrats: Dr. Max Egli
19AR-03357



EN

14139245.07 08/2020 EN/DE

Inhalt

1. Allgemeines	41
2. Aufbau und Funktion	42
2.1 Beschreibung	42
2.2 Abmessungen in mm	42
2.3 Lieferumfang	43
3. Sicherheit	44
3.1 Symbolerklärung	44
3.2 Bestimmungsgemäße Verwendung	44
3.3 Verantwortung des Betreibers	45
3.4 Personalqualifikation	45
3.5 Beschilderung, Sicherheitskennzeichnungen	46
3.6 Ex-Kennzeichnung	47
4. Transport, Verpackung und Lagerung	48
4.1 Transport	48
4.2 Verpackung und Lagerung	48
5. Inbetriebnahme, Betrieb	49
5.1 Erdung	49
5.2 Montage	51
5.2.1 Transmitter in Kopfversion (Typ T15.H)	51
5.2.2 Transmitter in Schienenversion (Typ T15.R)	52
5.3 Elektrischer Anschluss	52
5.3.1 Hilfsenergie, 4 ... 20 mA-Stromschleife	53
5.3.2 Sensoren	54
5.4 Konfiguration	55
5.4.1 Konfigurierbare Überwachungsfunktionen	55
5.4.2 Konfigurieren mit dem PC	55
5.4.3 Programmiereinheit Typ PU-548	56
5.4.4 Konfigurationssoftware WIKAsoft-TT	56
6. Besondere Bedingungen für die sichere Anwendung (X-Conditions)	57
6.1 Allgemein (alle Zulassungen)	57
6.2 Zulassung ATEX und IECEx	57
6.2.1 Typen T15.x-AC, T15.x-AI	57
6.2.2 Typ T15.x-AN	57
6.2.3 Typ T15.x-AE	57
6.3 Zulassung FM	58
6.3.1 Typen T15.x-AC, T15.x-AI	58
6.3.2 Typ T15.x-AN	58
6.3.3 Typ T15.x-AE	58

6.4	Zulassung CSA	59
6.4.1	Models T15.x-AIx	59
6.4.2	Models T15.x-ACx	59
6.4.3	Models T15.x-AEx	59
7.	Konfigurationssoftware WIKAsoft-TT	60
7.1	Starten der Software	60
7.2	Ablauf Konfiguration	60
7.3	Fehlerdiagnose	61
7.4	Messwerte	61
7.5	Mehrere Geräte identisch konfigurieren	61
8.	Störungen	62
9.	Wartung	64
10.	Rücksendung und Entsorgung	64
10.1	Rücksendung	64
10.2	Entsorgung	64
11.	Technische Daten	65
11.1	Sicherheitstechnische Kennwerte Typen T15.x-AI, T15.x-AC	66
11.2	Sicherheitstechnische Kennwerte Typen T15.x-AN, T15.x-AE	67
11.3	Versionierung nach NAMUR NE53	68
12.	Zubehör	68
Anlage 1:	Control drawing CSA/FM	33
Anlage 2:	EU-Konformitätserklärung	37

Konformitätserklärungen finden Sie online unter www.wika.de.

1. Allgemeines

- Der in der Betriebsanleitung beschriebene Temperaturtransmitter wird nach dem aktuellen Stand der Technik konstruiert und gefertigt. Alle Komponenten unterliegen während der Fertigung strengen Qualitäts- und Umweltkriterien. Unsere Managementsysteme sind nach ISO 9001 und ISO 14001 zertifiziert.
- Diese Betriebsanleitung gibt wichtige Hinweise zum Umgang mit dem Gerät. Voraussetzung für sicheres Arbeiten ist die Einhaltung aller angegebenen Sicherheitshinweise und Handlungsanweisungen.
- Die für den Einsatzbereich des Gerätes geltenden örtlichen Unfallverhütungsvorschriften und allgemeinen Sicherheitsbestimmungen einhalten.
- Die Betriebsanleitung ist Produktbestandteil und muss in unmittelbarer Nähe des Gerätes für das Fachpersonal jederzeit zugänglich aufbewahrt werden. Betriebsanleitung an nachfolgende Benutzer oder Besitzer des Gerätes weitergeben.
- Das Fachpersonal muss die Betriebsanleitung vor Beginn aller Arbeiten sorgfältig durchgelesen und verstanden haben.
- Es gelten die allgemeinen Geschäftsbedingungen in den Verkaufsunterlagen.
- Technische Änderungen vorbehalten.
- Weitere Informationen:
 - Internet-Adresse: www.wika.de / www.wika.com
 - zugehöriges Datenblatt: TE 15.01
 - Anwendungsberater: Tel.: +49 9372 132-0
Fax: +49 9372 132-406
info@wika.de

2. Aufbau und Funktion

2.1 Beschreibung

Der Temperaturtransmitter Typ T15 dient zur Umwandlung eines Widerstandswertes oder eines Widerstandsverhältnisses (Potentiometer) in ein proportionales Stromsignal (4 ... 20 mA). Dabei werden die Sensoren permanent auf ihre einwandfreie Funktion überwacht.

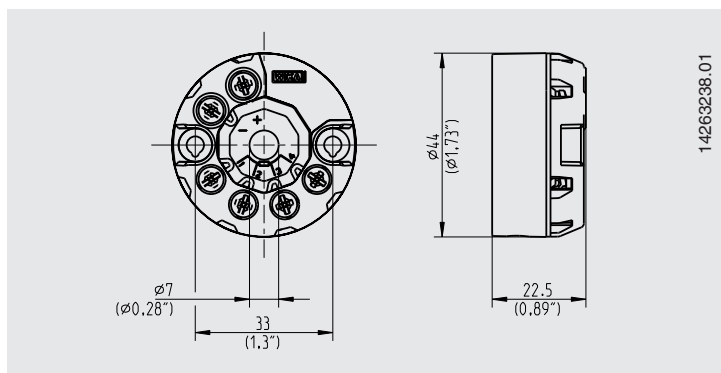
DE

Der Temperaturtransmitter erfüllt die Anforderungen an:

- Explosionsschutz (je nach Version)
- Elektromagnetische Verträglichkeit nach NAMUR-Empfehlung NE21
- Die Signalisierung am Analogausgang gemäß NAMUR-Empfehlung NE43
- Eine Fühlerbruchsignalisierung gemäß NAMUR-Empfehlung NE89 (Korrosionsüberwachung Sensoranschluss)

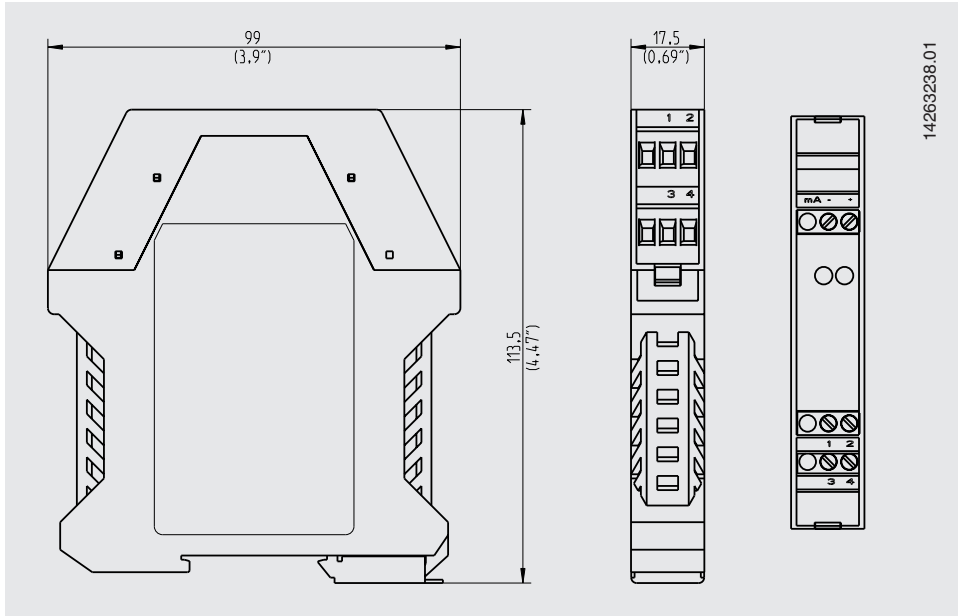
2.2 Abmessungen in mm

- Kopfversion, Typ T15.H



2. Aufbau und Funktion

■ Schienenversion, Typ T15.R



2.3 Lieferumfang

Lieferumfang mit dem Lieferschein abgleichen.

3. Sicherheit

3.1 Symbolerklärung

**WARNUNG!**

... weist auf eine möglicherweise gefährliche Situation hin, die zum Tod oder zu schweren Verletzungen führen kann, wenn sie nicht gemieden wird.

**VORSICHT!**

... weist auf eine möglicherweise gefährliche Situation hin, die zu geringfügigen oder leichten Verletzungen bzw. Sach- und Umweltschäden führen kann, wenn sie nicht gemieden wird.

**GEFAHR!**

... kennzeichnet Gefährdungen durch elektrischen Strom. Bei Nichtbeachtung der Sicherheitshinweise besteht die Gefahr schwerer oder tödlicher Verletzungen.

**GEFAHR!**

... weist auf eine möglicherweise gefährliche Situation im explosionsgefährdeten Bereich hin, die zum Tod oder zu schweren Verletzungen führen kann, wenn sie nicht gemieden wird.

**WARNUNG!**

... weist auf eine möglicherweise gefährliche Situation hin, die durch heiße Oberflächen oder Flüssigkeiten zu Verbrennungen führen kann, wenn sie nicht gemieden wird.

**Information**

... hebt nützliche Tipps und Empfehlungen sowie Informationen für einen effizienten und störungsfreien Betrieb hervor.

3.2 Bestimmungsgemäße Verwendung

Der Temperaturtransmitter Typ T15 ist ein universeller, via PC konfigurierbarer Transmitter für Widerstandsthermometer und Potentiometer.

Das Gerät ist ausschließlich für den hier beschriebenen bestimmungsgemäßen Verwendungszweck konzipiert und konstruiert und darf nur dementsprechend verwendet werden.

Die technischen Spezifikationen in dieser Betriebsanleitung sind einzuhalten. Eine unsachgemäße Handhabung oder ein Betreiben des Gerätes außerhalb der technischen Spezifikationen macht die sofortige Stilllegung und Überprüfung durch einen autorisierten WIKA-Servicemitarbeiter erforderlich.

Ansprüche jeglicher Art aufgrund von nicht bestimmungsgemäßer Verwendung sind ausgeschlossen.

3.3 Verantwortung des Betreibers

Das Gerät wird im gewerblichen Bereich eingesetzt. Der Betreiber unterliegt daher den gesetzlichen Pflichten zur Arbeitssicherheit.

Die Sicherheitshinweise dieser Betriebsanleitung, sowie die für den Einsatzbereich des Gerätes gültigen Sicherheits-, Unfallverhütungs- und Umweltschutzvorschriften einhalten.

Der Betreiber ist verpflichtet das Typenschild lesbar zu halten.

Die Verantwortung über die Zoneneinteilung unterliegt dem Anlagenbetreiber und nicht dem Hersteller/Lieferanten der Betriebsmittel.

3.4 Personalqualifikation



WARNUNG!

Verletzungsgefahr bei unzureichender Qualifikation

Unschlagmäßiger Umgang kann zu erheblichen Personen- und Sachschäden führen.

- ▶ Die in dieser Betriebsanleitung beschriebenen Tätigkeiten nur durch Elektrofachpersonal nachfolgend beschriebener Qualifikation durchführen lassen.

Elektrofachpersonal

Das Elektrofachpersonal ist aufgrund seiner fachlichen Ausbildung, Kenntnisse und Erfahrungen sowie Kenntnis der landesspezifischen Vorschriften, geltenden Normen und Richtlinien in der Lage, Arbeiten an elektrischen Anlagen auszuführen und mögliche Gefahren selbstständig zu erkennen und zu vermeiden. Das Elektrofachpersonal ist speziell für das Arbeitsumfeld, in dem es tätig ist, ausgebildet und kennt die relevanten Normen und Bestimmungen. Das Elektrofachpersonal muss die Bestimmungen der geltenden gesetzlichen Vorschriften zur Unfallverhütung erfüllen.

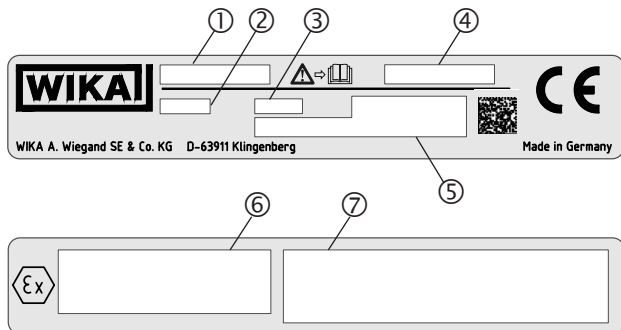
Besondere Kenntnisse bei Arbeiten mit Geräten für explosionsgefährdete Bereiche:

Das Elektrofachpersonal muss Kenntnisse haben über Zündschutzarten, Vorschriften und Verordnungen für Betriebsmittel in explosionsgefährdeten Bereichen.

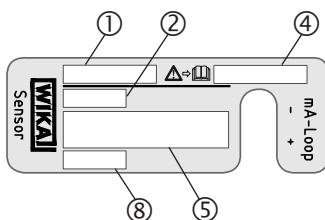
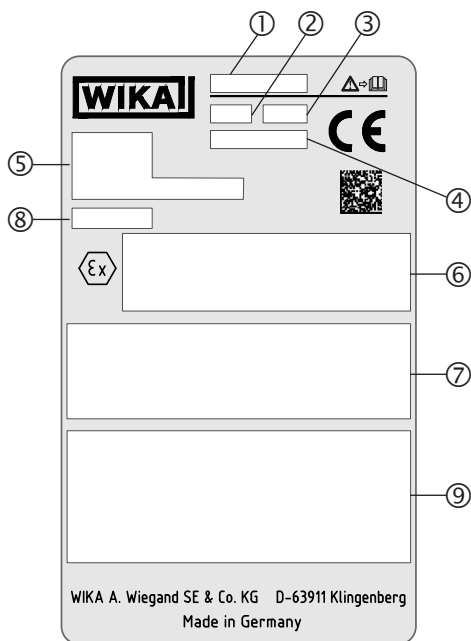
Spezielle Einsatzbedingungen verlangen weiteres entsprechendes Wissen, z. B. über aggressive Medien.

3.5 Beschilderung, Sicherheitskennzeichnungen

■ Kopfversion, Typ T15.H



■ Schienenversion, Typ T15.R



- ① Typ
- ② Firmware
- ③ Herstellungsdatum (Jahr-Monat)
- ④ Seriennummer
- ⑤ Sensorangaben (Typ, Schaltungsart, Hilfsenergie, Messbereich)
- ⑥ ATEX-relevante Daten
- ⑦ Weitere zulassungsrelevante Daten
- ⑧ TAG-Nr.
- ⑨ Anschlussbelegung



Vor Montage und Inbetriebnahme des Gerätes unbedingt die Betriebsanleitung lesen!

3.6 Ex-Kennzeichnung



GEFAHR!

Lebensgefahr durch Verlust des Explosionsschutzes

Die Nichtbeachtung dieser Inhalte und Anweisungen kann zum Verlust des Explosionsschutzes führen.

- ▶ Sicherheitshinweise sowie Explosionshinweise in dieser Betriebsanleitung beachten.
- ▶ Die Anforderungen der ATEX-Richtlinie beachten.
- ▶ Die Angaben der geltenden Baumusterprüfbescheinigung sowie die jeweiligen landesspezifischen Vorschriften zur Installation und Einsatz in explosionsgefährdeten Bereichen (z. B. IEC 60079-14, NEC, CEC) einhalten.

DE

Überprüfen, ob die Klassifizierung für den Einsatzfall geeignet ist. Die jeweiligen nationalen Vorschriften und Bestimmungen beachten.

Typenübersicht der europäischen Zulassungen

Typ	Ex-Kennzeichnung		Zündschutzart
	BVS 19 ATEX E 020 X IECEX BVS 19.0022X		
T15.H-AI (Kopfversion)	II 1G II 1D	Ex ia IIC T6 ... T4 Ga Ex ia IIIC T135 °C Da	Eigensicheres Betriebsmittel
T15.R-AI (Schienenversion)	II 2(1)G II 2(1)D	Ex ia [ia Ga] IIC T6 ... T4 Gb Ex ia [ia Da] IIIC T135 °C Db	Eigensicheres Betriebsmittel
T15.x-AC	II 3G	Ex ic IIC T6 ... T4 Gc X	Eigensicheres Betriebsmittel
T15.x-AN	II 3G	Ex nA IIC T6 ... T4 Gc X	Nicht-funkende Einrichtung
T15.x-AE	II 3G	Ex ec IIC T6 ... T4 Gc	Nicht-funkende Einrichtung

4. Transport, Verpackung und Lagerung

4.1 Transport

Gerät auf eventuell vorhandene Transportschäden untersuchen.

Offensichtliche Schäden unverzüglich mitteilen.

DE



VORSICHT!

Beschädigungen durch unsachgemäßen Transport

Bei unsachgemäßem Transport können Sachschäden entstehen.

- ▶ Äußerlich beschädigte Transmitter nicht verwenden!

Wird das Gerät von einer kalten in eine warme Umgebung transportiert, so kann durch Kondensatbildung eine Störung der Gerätefunktion eintreten. Vor einer erneuten Inbetriebnahme die Angleichung der Gerätetemperatur an die Raumtemperatur abwarten.

4.2 Verpackung und Lagerung

Verpackung erst unmittelbar vor der Montage entfernen.

Zulässige Bedingungen am Lagerort:

- Lagertemperatur: -40 ... +85 °C
- Feuchtigkeit: 95 % r. F. (Betaung zulässig)

Folgende Einflüsse vermeiden:

- Direktes Sonnenlicht oder Nähe zu heißen Gegenständen
- Mechanische Vibration, mechanischer Schock (hartes Aufstellen)
- Ruß, Dampf, Staub und korrosive Gase

5. Inbetriebnahme, Betrieb

Personal: Elektrofachpersonal

Werkzeuge: Schraubendreher (siehe Kapitel 5.3 „Elektrischer Anschluss“)



GEFAHR!

Lebensgefahr durch Explosion!

Durch Arbeiten in entzündlichen Atmosphären besteht Explosionsgefahr, die zum Tod führen kann.

- ▶ Rüstarbeiten nur in nicht-explosionsgefährdeter Umgebung durchführen!
- ▶ Im explosionsgefährdeten Bereich nur Temperaturtransmitter einsetzen, die für diesen explosionsgefährdeten Bereich zugelassen sind. Zulassungen auf dem Typenschild beachten.

DE

5.1 Erdung



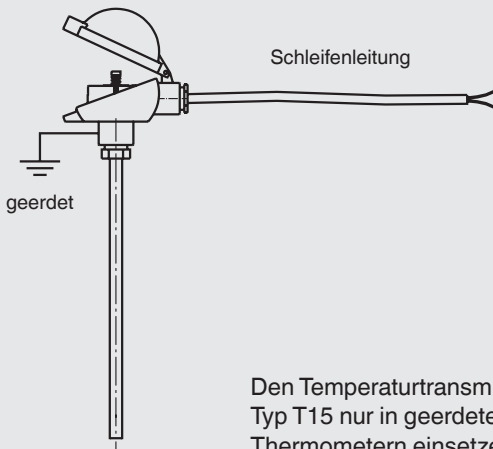
WARNUNG!

Vermeidung elektrostatischer Entladung

Bei Arbeiten während eines laufenden Prozessbetriebes Maßnahmen zur Vermeidung elektrostatischer Entladung auf die Anschlussklemmen treffen, da Entladungen zu vorübergehenden Verfälschungen des Messwertes führen können.

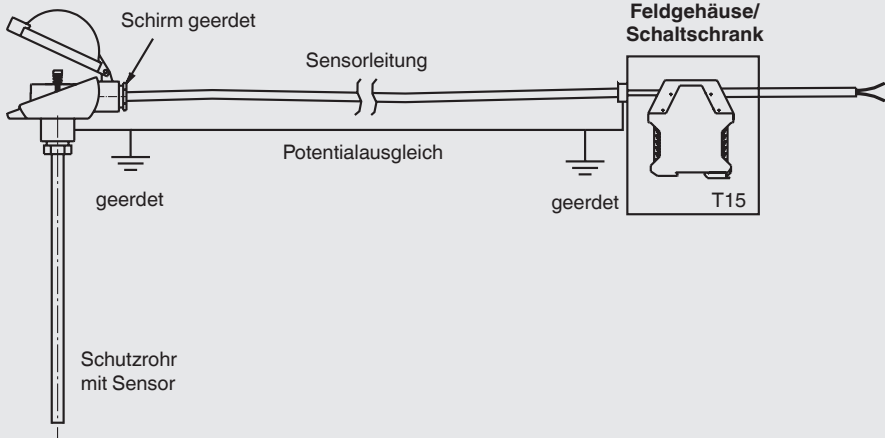
- ▶ Den Temperaturtransmitter Typ T15.H nur in geerdeten Thermometerköpfen einsetzen!
- ▶ Anschluss eines Widerstandssensors (z. B. Pt100) an den T15.R mit einem geschirmten Kabel. Der Schirm muss elektrisch leitend mit dem Gehäuse des geerdeten Thermometers verbunden werden.

Anschlusskopf BSZ



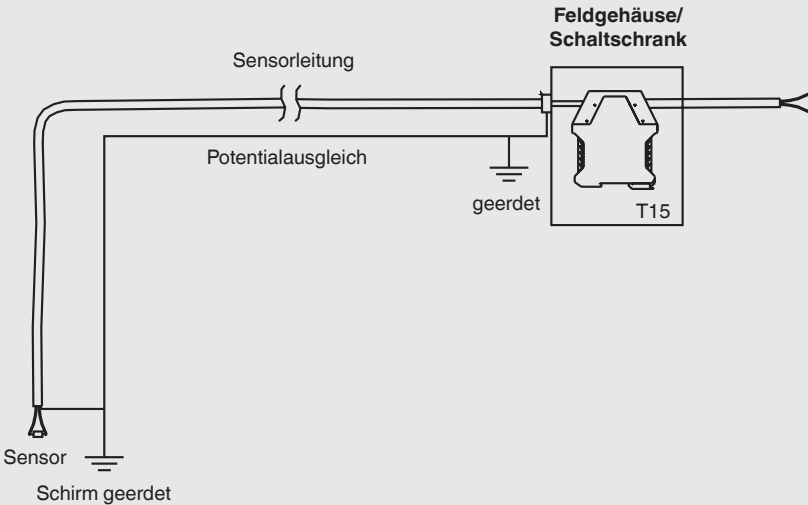
Den Temperaturtransmitter Typ T15 nur in geerdeten Thermometern einsetzen!

Anschlusskopf BSZ



DE

In Applikationen mit erhöhten EMV-Anforderungen empfiehlt sich, v. a. in Verbindung mit langen Zuleitungen zum Sensor, der Einsatz einer geschirmten Leitung zwischen Transmitter und Sensor. Beispielhafte Darstellung siehe Zeichnung. Bei der Schienenversion (T15.R) und Zuleitungslängen größer 30 m ist eine geschirmte Leitung zwingend erforderlich.



5.2 Montage

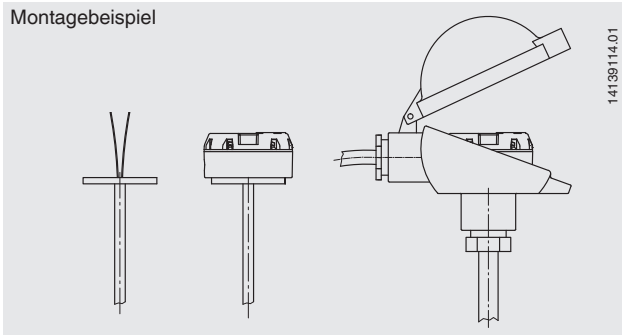
5.2.1 Transmitter in Kopfversion (Typ T15.H)



Bei der Montage des Transmitters in Kopfversion ein Drehmoment von 1 Nm nicht überschreiten!

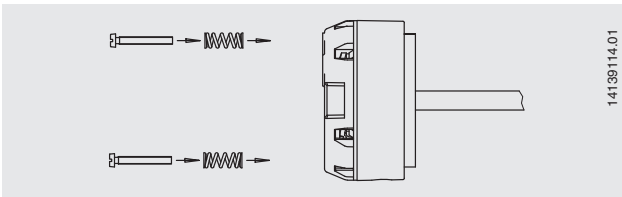
Die Transmitter in Ausführung Kopfversion sind vorgesehen zur Montage auf einem Messeinsatz im DIN-Anschlusskopf der Form B. Die Anschlussdrhte des Messeinsatzes mssen ca. 50 mm lang und isoliert ausgefhrt sein.

Montagebeispiel



Montage im Anschlusskopf

Messeinsatz mit montiertem Transmitter in die Schutzarmatur einstecken und im Anschlusskopf mit Schrauben federnd befestigen.



Montage im Anschlusskopfdeckel

Bei der Montage im Deckel eines Anschlusskopfes entsprechende Schrauben und passende Unterlegscheiben verwenden.

Montage mit Hutschienenadapter

Mit dem als Zubehor erhaltlichen mechanischen Adapter konnen auch die Kopftransmitter T15.H auf einer Hutschiene befestigt werden (siehe Kapitel 12 „Zubehor“).

5. Inbetriebnahme, Betrieb

5.2.2 Transmitter in Schienenversion (Typ T15.R)

Das Schienengehäuse wird ohne Hilfsmittel durch einfaches „Aufrasten“ auf eine 35 mm Hutschiene (EN 60175) befestigt.

Die Demontage erfolgt durch das Entriegeln des Rastelementes.

5.3 Elektrischer Anschluss

DE



GEFAHR!

Lebensgefahr durch elektrischen Strom

Bei Berührung mit spannungsführenden Teilen besteht unmittelbare Lebensgefahr.

- ▶ Einbau und Montage des Gerätes dürfen nur durch Fachpersonal erfolgen.
- ▶ Bei Betrieb mit einem defekten Netzgerät (z. B. Kurzschluss von Netzspannung zur Ausgangsspannung) können am Gerät lebensgefährliche Spannungen auftreten!
- ▶ Montagen im spannungslosen Zustand durchführen.
- ▶ Die angeschlossenen Drähte auf festen Sitz kontrollieren. Nur fest angeschlossene Leitungen gewährleisten eine volle Funktionalität.
- ▶ Der Installateur muss einen Drahttyp verwenden, der eine Temperaturbeständigkeit \geq der angegebenen Umgebungstemperaturangabe hat.

Dies ist ein Betriebsmittel der Schutzklasse 3 zum Anschluss an Kleinspannungen, die von der Netzspannung oder Spannung größer AC 50 V bzw. DC 120 V getrennt sind. Zu bevorzugen ist ein Anschluss an SELV- oder PELV-Stromkreise; alternativ ist eine Schutzmaßnahme aus HD 60346-4-41 (DIN VDE 0100-410) zu empfehlen.

Alternativ für Nordamerika

Der Anschluss kann auch an „Class 2 Circuits“ oder „Class 2 Power Units“ gemäß CEC (Canadian Electrical Code) oder NEC (National Electrical Code) erfolgen.

Die im Gerät vorhandene funktionale galvanische Trennung ist nicht geeignet einen Schutz gegen elektrischen Schlag im Sinne der EN 61140 sicherzustellen.

Maximale Verwendungshöhe: 5.000 m über dem Meeresspiegel

Empfohlenes Werkzeug für Schraubklemmen

Typ	Schraubendreher	Anzugsdrehmoment
T15.H	Kreuzschlitz (Poqidriv-Spitze), Größe 2 (ISO 8764)	0,5 Nm
T15.R	Schlitz, 3 x 0,5 mm (ISO 2380)	0,5 Nm

14139245.07 08/2020 EN/DE

5.3.1 Hilfsenergie, 4 ... 20 mA-Stromschleife

Der Typ T15 ist ein in 2-Leiter gespeister Temperaturtransmitter und kann je nach Ausführung, mit unterschiedlicher Hilfsenergie versorgt werden.

Empfohlen wird bei Litzenadern die Verwenden von Crimpkontakten.

Der integrierte Verpolungsschutz (verpolte Spannung an den Klemmen \oplus und \ominus) verhindert die Zerstörung des Transmitters.

DE

Maximale Werte

- Typ T15.x-ZZ: DC 35 V
- Typ T15.x-AI: DC 30 V
- Typ T15.x-AC: DC 30 V
- Typ T15.x-AN: DC 35 V
- Typ T15.x-AE: DC 35 V

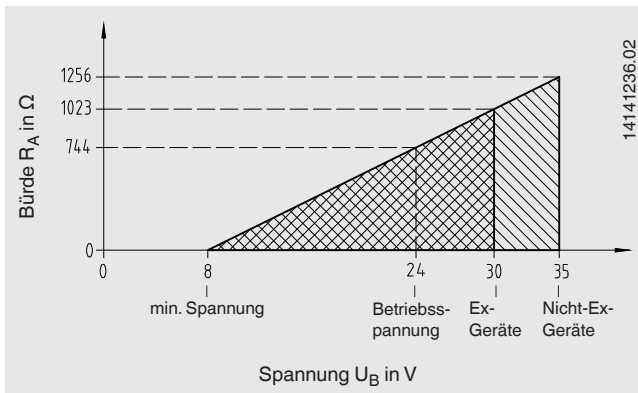
Minimale Klemmenspannung

DC 8 V

Die Bürde darf nicht zu groß sein, da sonst die Klemmenspannung am Transmitter bei höheren Strömen zu klein wird.

Maximal zulässige Bürde in Abhängigkeit der Speisespannung

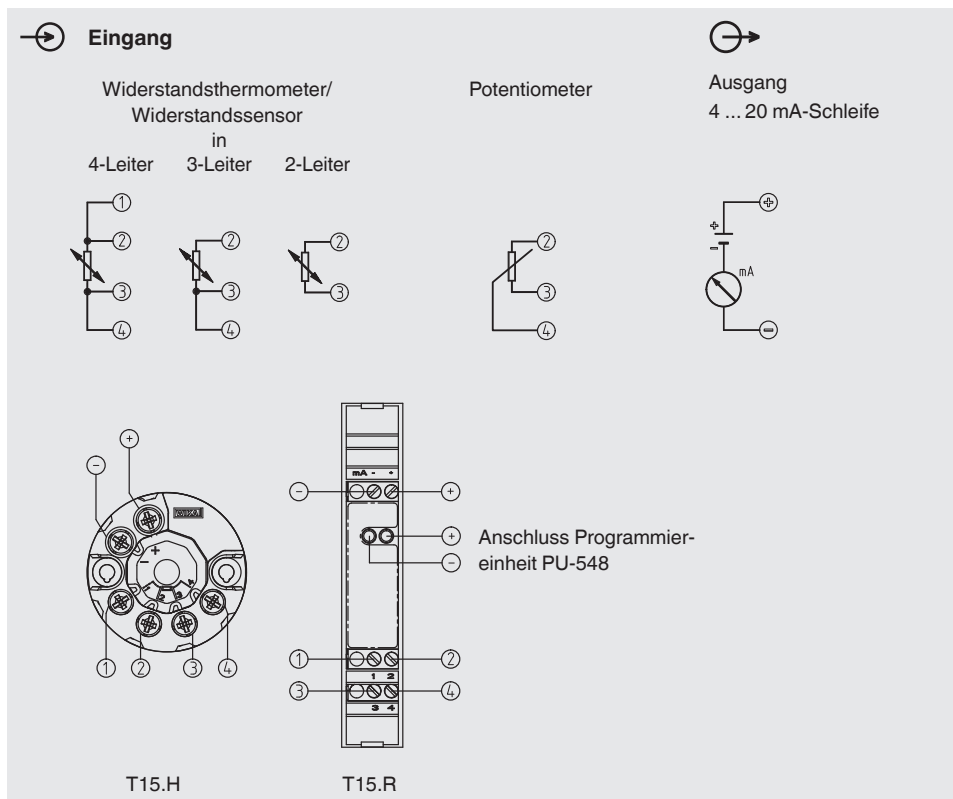
Bündendiagramm



5.3.2 Sensoren

Belegung der Anschlussklemmen

DE



Widerstandsthermometer (RTD) und Widerstandsgeber

Möglich ist der Anschluss eines Widerstandsthermometers (z. B. nach EN 60751) in 2-, 3- oder 4-Leiter-Anschlusschaltung oder der Anschluss eines Potentiometers in 3-Leiter-Anschlusschaltung. Den Sensoreingang des Transmitters entsprechend der tatsächlich verwendeten Art der Anschlusschaltung konfigurieren, ansonsten keine vollständige Nutzung der Möglichkeiten der Anschlussleitungs-kompensation und eventuelle Verursachung zusätzlicher Messfehler.



Sicherheitstechnische Maximalwerte für den Anschluss der Spannungsversorgung und der Sensoren siehe Kapitel 11 „Technische Daten“.

5.4 Konfiguration

Konfigurierbar sind

- Sensortyp
- Sensoranschluss
- Messbereich
- Einheit
- Signalisierung
- Messbereichsüberwachung
- Dämpfung
- Schreibschutz
- „Mehrere“ TAG-Nummern
- 2-Punkt-Skalierung

Ausgeliefert werden die Temperaturtransmitter mit einer Grundkonfiguration (siehe Datenblatt TE 15.01) oder konfiguriert nach Kundenvorgabe. Nachträgliche Änderungen der Konfiguration mit einem wasserfesten Faserschreiber auf dem Typenschild notieren.



Zur Konfiguration des T15 ist eine Simulation des Eingangswertes nicht erforderlich. Lediglich zur Funktionsüberprüfung ist eine Simulation des Sensors notwendig.

5.4.1 Konfigurierbare Überwachungsfunktionen

Messbereichsüberwachung:

Ist diese aktiviert, erfolgt im Falle einer Messbereichsüberschreitung/-unterschreitung eine Fehlersignalisierung auf der Stromschleife.

5.4.2 Konfigurieren mit dem PC

Das Konfigurieren erfolgt über die USB-Schnittstelle eines PC's via Programmierereinheit Typ PU-548 (siehe Kapitel 12 „Zubehör“) und der Konfigurationssoftware WIKAsoft-TT.



Der benötigte Windows®-Gerätetreiber für die PU-548 wird automatisch beim Installationssetup der WIKAsoft-TT installiert.

Windows® ist eine eingetragene Marke der Microsoft Corporation in den Vereinigten Staaten und weiteren Ländern.

5.4.3 Programmierereinheit Typ PU-548

- Einfache Bedienung
- LED-Statusanzeige
- Kompakte Bauform
- Keine zusätzliche Spannungsversorgung notwendig, weder für die Programmierereinheit noch für den Transmitter
- Keine Treiberinstallation notwendig (Windows® Standardtreiber werden genutzt)



(ersetzt Programmierereinheit Typ PU-448)

Anschluss der PU-548

Kopfversion, Typ T15.H



Schienversion, Typ T15.R



5.4.4 Konfigurationssoftware WIKAsoft-TT

Die Konfigurationssoftware WIKAsoft-TT wird ständig aktualisiert und den Firmware-Erweiterungen des T15 angepasst. Somit ist immer der volle Zugriff auf alle Funktionalitäten und Parameter des Transmitters gewährleistet (siehe Kapitel 7 „Konfigurationssoftware WIKAsoft-TT“).



Kostenfreier Download der aktuellen Version der WIKAsoft-TT Software unter www.wika.de.

6. Besondere Bedingungen für die sichere Anwendung (X-Conditions)

6.1 Allgemein (alle Zulassungen)

Der Einfluss der Verlustleistung anderer Geräte, welche neben dem Transmitter installiert werden, müssen im Hinblick auf eine Temperaturerhöhung der Umgebungstemperatur des Transmitters berücksichtigt werden.

Transmitter mit „ia“-Markierung können auch in Versorgungsstromkreisen des Typs „ib“ mit den gleichen Anschlussparametern verwendet werden. Somit ist der gesamte Messstromkreis (inklusive dem Sensorkreis) ein „ib“-Stromkreis. Transmitter, die in Versorgungsstromkreisen vom Typ „ib“ betrieben wurden, dürfen nicht in Versorgungsstromkreisen vom Typ „ia“ wiederverwendet werden.

6.2 Zulassung ATEX und IECEx

6.2.1 Typen T15.x-AC, T15.x-AI

- Der Transmitter muss in einem für den jeweiligen Installationsbereich geeigneten Gehäuse nach IEC 60079-11 eingebaut werden. Das Gehäuse muss mindestens IP20 erfüllen für Bereiche, die EPL Ga, Gb oder Gc erfordern und IP54 nach IEC 60079-0 für Bereiche, die EPL Ga, Gb oder Gc erfordern.
- Bei der Montage die innere Verdrahtung, Luft- und Kriechstrecken, sowie Trennabstände nach IEC 60079-11 berücksichtigen.

6.2.2 Typ T15.x-AN

- Der Transmitter muss in ein Gehäuse eingebaut werden, das mindestens IP54 nach IEC 60079-0 und IEC 60079-15 erfüllt.
- Bei der Montage Luft- und Kriechstrecken und Trennabstände nach IEC 60079-15 berücksichtigen.
- Wie in IEC 60664-1 festgelegt, darf das Gerät nur in einem Bereich mit mindestens Verschmutzungsgrad 2 eingesetzt werden.
- Die Stromkreise dürfen maximal die Überspannungskategorie II nach IEC 60664-1 besitzen.

6.2.3 Typ T15.x-AE

- Der Transmitter muss in ein Gehäuse eingebaut werden, das mindestens IP54 nach IEC 60079-0 und IEC 60079-7 erfüllt.
- Bei der Montage Luft- und Kriechstrecken und Trennabstände nach IEC 60079-7 berücksichtigen.
- Wie in IEC 60664-1 festgelegt, darf das Gerät nur in einem Bereich mit mindestens Verschmutzungsgrad 2 eingesetzt werden.
- Die Stromkreise dürfen maximal die Überspannungskategorie II nach IEC 60664-1 besitzen.

6.3 Zulassung FM

Für den Einbau in Division 2 muss der Transmitter in einem Endgehäuse montiert werden, das die Anforderungen von ANSI/UL 121201 erfüllt.

6.3.1 Typen T15.x-AC, T15.x-AI

- Die Transmitter müssen in einem für den jeweiligen Installationsbereich geeigneten Gehäuse nach ANSI/ISA 60079-11 eingebaut werden. Das Gehäuse muss mindestens IP20 erfüllen.
- Bei der Montage die innere Verdrahtung, Luft- und Kriechstrecken, sowie Trennabstände nach ANSI/ISA 60079-11 berücksichtigen.

6.3.2 Typ T15.x-AN

- Die Transmitter müssen in ein Gehäuse eingebaut werden, das mindestens IP54 nach ANSI/ISA 60079-0 und ANSI/ISA 60079-15 erfüllt.
- Bei der Montage Luft- und Kriechstrecken und Trennabstände nach ANSI/ISA 60079-15 berücksichtigen.
- Wie in ANSI/ISA 61010-1 bzw. IEC 60664-1 festgelegt, darf das Gerät nur in einem Bereich mit mindestens Verschmutzungsgrad 2 eingesetzt werden.
- Die Stromkreise dürfen maximal die Überspannungskategorie II nach ANSI/ISA 61010-1 bzw. IEC 60664-1 besitzen.

6.3.3 Typ T15.x-AE

- Die Transmitter müssen in ein Gehäuse eingebaut werden, das mindestens IP54 nach ANSI/ISA 60079-0 und IEC 60079-7 erfüllt.
- Bei der Montage Luft- und Kriechstrecken und Trennabstände nach ANSI/ISA 60079-7 berücksichtigen.
- Wie in ANSI/ISA 61010-1 bzw. IEC 60664-1 festgelegt, darf das Gerät nur in einem Bereich mit mindestens Verschmutzungsgrad 2 eingesetzt werden.
- Die Stromkreise dürfen maximal die Überspannungskategorie II nach ANSI/ISA 61010-1 bzw. IEC 60664-1 besitzen.

6.4 Zulassung CSA

6.4.1 Typ T15.x-AIx

- Diese Typen wurden für den Einbau in ein geeignetes Gehäuse mit einem Schutzgrad von mindestens IP20 zur Verwendung in EPL Ga- oder Gb-Bereichen entworfen.
- Das Gehäuse kann in EPL Ga-Bereichen (Zone 0), EPL Gb-Bereichen (Zone 1) oder optional auch in nicht-explosionsgefährdeten Bereichen verwendet werden.
- Der Einfluss der Verlustleistung anderer Geräte, welche neben dem Transmitter installiert werden, muss im Hinblick auf eine Temperaturerhöhung der Umgebungstemperatur des Transmitters berücksichtigt werden.
- Bei der Montage die interne Verdrahtung, Luft- und Kriechstrecken sowie Trennabstände nach CAN/CSA C22.2 Nr. 60079-11 berücksichtigen.

DE

6.4.2 Typ T15.x-ACx

- Diese Typen wurden für den Einbau in ein geeignetes Gehäuse mit einem Schutzgrad von mindestens IP20 zur Verwendung in EPL Gc-Bereichen entworfen.
- Das Gehäuse kann in EPL Gc-Bereichen (Zone 2) oder optional auch in nicht-explosionsgefährdeten Bereichen verwendet werden.
- Der Einfluss der Verlustleistung anderer Geräte, welche neben dem Transmitter installiert werden, muss im Hinblick auf eine Temperaturerhöhung der Umgebungstemperatur des Transmitters berücksichtigt werden.
- Bei der Montage die interne Verdrahtung, Luft- und Kriechstrecken sowie Trennabstände nach CAN/CSA C22.2 Nr. 60079-11 berücksichtigen.

6.4.3 Typ T15.x-AEx

- Die Versorgung des Messumformers muss durch einen energiebegrenzten Stromkreis gemäß CAN/CSA C22.2 Nr. 61010-1 oder LPS gemäß CAN/CSA C22.2 Nr. 60950-1 und Klasse 2, wie in der kanadischen Elektrovorschrift (CEC) C22.1, Absatz 16-200 festgelegt, erfolgen.
- Es handelt sich um Geräte mit OFFENER Bauart, die in ein geeignetes Endnutzungsgehäuse eingebaut werden müssen. Dieses Gehäuse darf nur mithilfe von Spezialwerkzeug zugänglich sein und muss eine entsprechende Zertifizierung (z. B. Ex ec, Ex nA oder ein gleichwertiges Schutzniveau für EPL "Gc") sowie mindestens die Schutzart IP54 besitzen. Die Eignung des Gehäuses bedarf der Überprüfung durch die örtliche Behörde, die zum Zeitpunkt des Einbaus zuständig ist.
- Für die Verdrahtung des Gerätes, bei der Drähte durch das Gehäuse laufen, müssen je nach Einbau Verdrahtungsarten verwendet werden, die für Klasse I, Division 2 und/oder Klasse I, explosionsgefährdete Bereiche der Zone 2 geeignet sind.
- Der Einfluss der Verlustleistung anderer Geräte, welche neben dem Transmitter installiert werden, muss im Hinblick auf eine Temperaturerhöhung der Umgebungstemperatur des Transmitters berücksichtigt werden.
- Wie in IEC 60664-1 festgelegt, darf das Gerät nur in Bereichen mit einem Verschmutzungsgrad von höchstens 2 und maximal der Überspannungskategorie II eingesetzt werden.

7. Konfigurationssoftware WIKAsoft-TT

Zur Installation den Anweisungen der Installationsroutine folgen.

7.1 Starten der Software

DE Die Konfigurationssoftware mit einem Doppelklick auf das WIKAsoft-TT Icon starten.

Nach dem Starten der Software kann die Sprache über Auswahl der entsprechenden Länderflagge geändert werden.

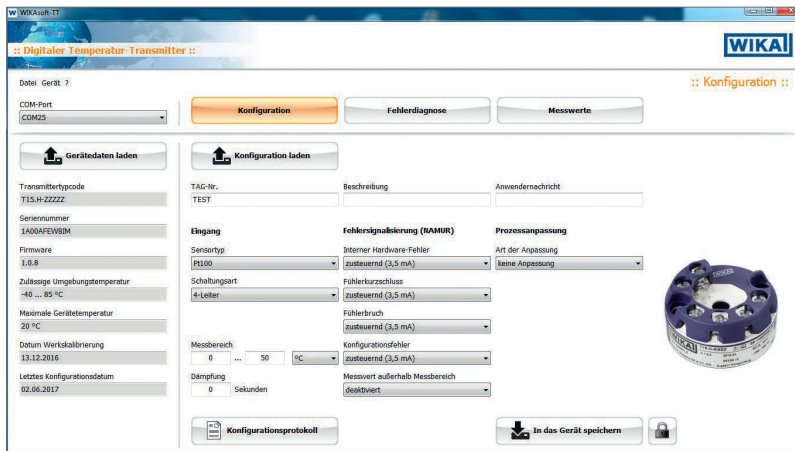
Die Auswahl des COM-Ports erfolgt automatisch.

Nach dem Anschluss eines Transmitters (mit PU-548) kann durch Aktivieren des Start-Buttons die Konfigurationsoberfläche geladen werden.



Die Konfigurationsoberfläche kann nur mit einem angeschlossenen Gerät geladen werden.

7.2 Ablauf Konfiguration



Die Schritte 1 und 2 erfolgen beim Start der Software automatisch.

1. „Gerätedaten laden“
2. „Konfiguration laden“
3. [optional] Schreibschutz aufheben (Schlosssymbol unten rechts)
4. Ändern der gewünschten Parameter
→ Sensor/Messbereich/Fehlersignalisierung etc.
5. „In das Gerät speichern“
6. [optional] Schreibschutz aktivieren
7. [optional] Konfigurationsprotokoll ausdrucken
8. [optional] Test: „Konfiguration laden“ → Konfiguration überprüfen

7.3 Fehlerdiagnose

Hier wird im Fall eines „vom Transmitter detektierten Fehlers“ die Fehlermeldung angezeigt.

Beispiele: Sensorbruch, Zulässige Höchsttemperatur überschritten etc.

Im Betriebsfall wird hier „Kein Fehler - Kein Wartungsbedarf“ ausgegeben.

7.4 Messwerte

Linienschreiber – Hier wird der Messwertverlauf mit einer konstanten Abtastrate in einem definierten Zeitraster (180 Sekunden) und einer variablen Temperaturachse in Form eines Linienschreiber dargestellt.

Die Anzeige dient rein zur Funktionsprüfung und zur Information.

Ein Export der Daten ist nicht möglich.

7.5 Mehrere Geräte identisch konfigurieren

■ Erstes Gerät

1. „Konfiguration laden“
2. [optional] Schreibschutz aufheben (Schlosssymbol unten rechts)
3. Ändern der gewünschten Parameter
4. „In das Gerät speichern“
5. [optional] Schreibschutz aktivieren

■ Alle folgenden Geräte

1. „Gerätedaten laden“
2. [optional] Schreibschutz aufheben
3. [optional] Ändern der gewünschten Parameter, z. B. TAG-Nummer
4. „In das Gerät speichern“
5. [optional] Schreibschutz aktivieren



Für weitere Informationen siehe Kontaktdaten Kapitel 1 „Allgemeines“ oder Rückseite der Betriebsanleitung

8. Störungen



GEFAHR!

Lebensgefahr durch Explosion

Durch Arbeiten in entzündlichen Atmosphären besteht Explosionsgefahr, die zum Tod führen kann.

- ▶ Störungen nur in nicht-entzündlichen Atmosphären beseitigen!

DE



VORSICHT!

Körperverletzungen, Sach- und Umweltschäden

Können Störungen mit Hilfe der aufgeführten Maßnahmen nicht beseitigt werden, Gerät unverzüglich außer Betrieb setzen.

- ▶ Sicherstellen, dass kein Signal mehr anliegt und gegen versehentliche Inbetriebnahme schützen.
- ▶ Kontakt mit dem Hersteller aufnehmen.
- ▶ Bei notwendiger Rücksendung die Hinweise unter Kapitel 10.1 „Rücksendung“ beachten und dem Temperaturtransmitter eine kurze Fehlerbeschreibung, Angaben zu Umgebungsbedingungen sowie Einsatzdauer bis zum Auftreten des Fehlers beifügen.

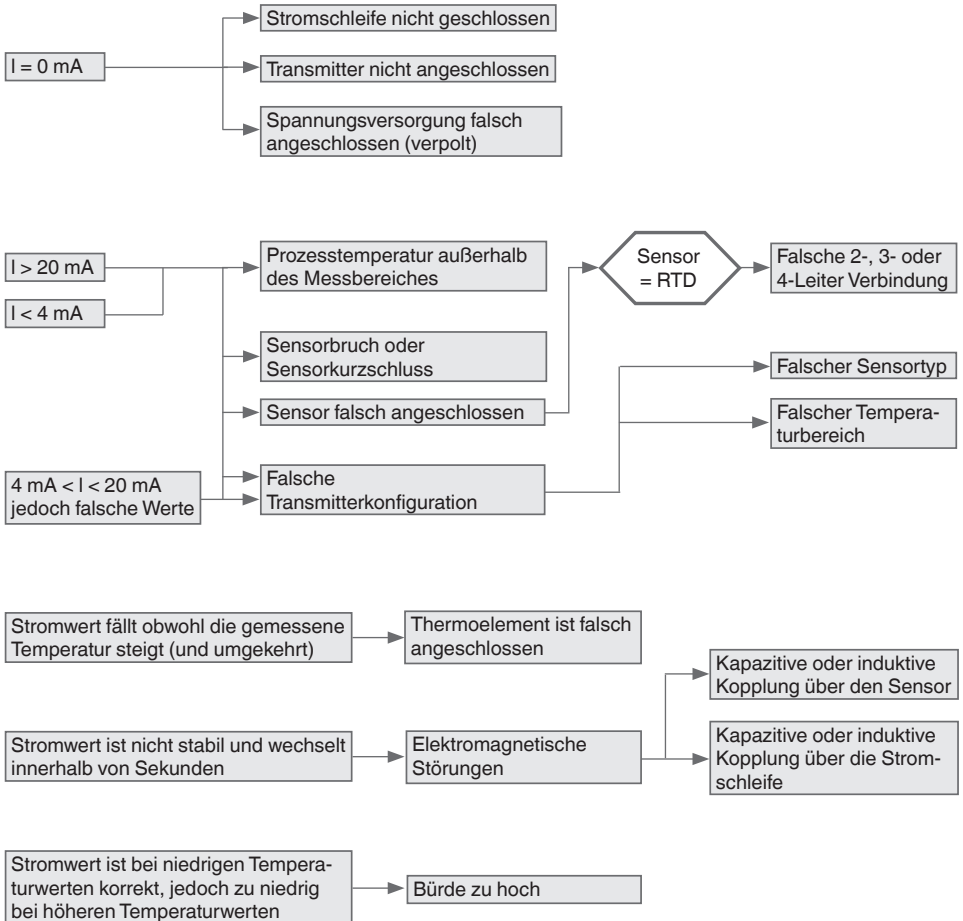


Kontaktdaten siehe Kapitel 1 „Allgemeines“ oder Rückseite der Betriebsanleitung.

8. Störungen

DE

Fehlerbaum



9. Wartung



Kontakt Daten siehe Kapitel 1 „Allgemeines“ oder Rückseite der Betriebsanleitung.

DE

Der hier beschriebene Temperaturtransmitter ist wartungsfrei. Die Elektronik ist vollständig vergossen und enthält keinerlei Bauteile, welche repariert oder ausgetauscht werden könnten.

Reparaturen sind ausschließlich vom Hersteller durchzuführen.
Nur Originalteile verwenden.

10. Rücksendung und Entsorgung

10.1 Rücksendung

Beim Versand des Gerätes unbedingt beachten:

Alle an WIKA gelieferten Geräte müssen frei von Gefahrstoffen (Säuren, Laugen, Lösungen, etc.) sein und sind daher vor der Rücksendung zu reinigen.

Zur Rücksendung des Gerätes die Originalverpackung oder eine geeignete Transportverpackung verwenden.

Um Schäden zu vermeiden:

1. Das Gerät mit dem Dämmmaterial in der Verpackung platzieren.
Zu allen Seiten der Transportverpackung gleichmäßig dämmen.
2. Wenn möglich einen Beutel mit Trocknungsmittel der Verpackung beifügen.
3. Sendung als Transport eines hochempfindlichen Messgerätes kennzeichnen.



Hinweise zur Rücksendung befinden sich in der Rubrik „Service“ auf unserer lokalen Internetseite.

10.2 Entsorgung

Durch falsche Entsorgung können Gefahren für die Umwelt entstehen. Gerätekomponenten und Verpackungsmaterialien entsprechend den landesspezifischen Abfallbehandlungs- und Entsorgungsvorschriften umweltgerecht entsorgen.



Nicht mit dem Hausmüll entsorgen. Für eine geordnete Entsorgung gemäß nationaler Vorgaben sorgen.

11. Technische Daten



GEFAHR!

Lebensgefahr durch Verlust des Explosionsschutzes

Das Nichtbeachten der Angaben für den Einsatz in explosionsgefährdeten Bereichen führt zum Verlust des Explosionsschutzes.

- ▶ Nachfolgende Grenzwerte und technische Angaben einhalten.

DE

Technische Daten	Typ T15
Zulässiger Umgebungstemperaturbereich	{-50} -40 ... +85 {+105} °C {-58} -40 ... +185 {+221} °F
Klimaklasse nach IEC 654-1:1993	Cx (-40 ... +85 °C / -40 ... +185 °F, 5 ... 95 % r. F.)
Maximal zulässige Feuchte	
■ Typ T15.H nach IEC 60068-2-38:2009	Prüfung max. Temperaturwechsel 65 °C (149 °F) / -10 °C (14 °F), 93 % ±3 % r. F.
■ Typ T15.R nach IEC 60068-2-30:2005	Prüfung max. Temperatur 55 °C (131 °F), 95 % r. F.
Vibrationsbeständigkeit nach IEC 60068-2-6:2008	Prüfung Fc: 10 ... 2.000 Hz; 10 g, Amplitude 0,75 mm (0,03 in)
Schockfestigkeit nach IEC 68-2-27:2009	Beschleunigung / Schockbreite Typ T15.H: 100 g / 6 ms Typ T15.R: 30 g / 11 ms
Salznebel nach IEC 68-2-52:1996, IEC 60068-2-52:1996	Schärfegrad 1
Betauung	Typ T15.H: Zulässig Typ T15.R: Zulässig in senkrechter Einbaulage
Freifall in Anlehnung an IEC 60721-3-2:1997, DIN EN 60721-3-2:1998	Fallhöhe 1,5 m (4,9 ft)
Elektromagnetische Verträglichkeit (EMV) ¹⁾ nach DIN EN 55011:2010, DIN EN 61326-2-3:2013, NAMUR NE21:2012, GL 2012 VI Teil 7	EN 61326 Emission (Gruppe 1, Klasse B) und Störfestigkeit (industrieller Bereich) [HF Feld, HF Leitung, ESD, Burst, Surge]

{ } Angaben in geschweiften Klammern beschreiben gegen Mehrpreis lieferbare Sonderheiten, nicht für ATEX-Versionen der Kopfversion und nicht für Schienenversion T15.R

1) Im Falle einer Störbeeinflussung durch hochfrequente elektromagnetische Felder in einem Frequenzbereich von 80 bis 400 MHz ist mit einer erhöhten Messabweichung von bis zu 0,8 % zu rechnen. Während transienten Störbeeinflussungen (z. B. Burst, Surge, ESD) eine erhöhte Messabweichung von bis zu 1,5 % berücksichtigen.

11. Technische Daten

11.1 Sicherheitstechnische Kennwerte Typen T15.x-AI, T15.x-AC

Eigensichere Anschlusswerte für die Stromschleife (4 ... 20 mA)

Schutzniveau Ex ia IIC/IIB/IIA, Ex ia IIIC oder Ex ic IIC/IIB/IIA

Kenngrößen	Typen T15.x-AI, T15.x-AC	Typ T15.x-AI
	Gas-Ex-Anwendung	Staub-Ex-Anwendung
Klemmen	+ / -	+ / -
Spannung U_i	DC 30 V	DC 30 V
Stromstärke I_i	130 mA	130 mA
Leistung P_i	800 mW	750/650/550 mW
Innere wirksame Kapazität C_i	18,4 nF	18,4 nF
Innere wirksame Induktivität L_i	20 μ H	20 μ H

Sensorstromkreis

Kenngrößen		Typ T15.x-AI	Typ T15.x-AC
		Ex ia IIC/IIB/IIA Ex ia IIIC	Ex ic IIC/IIB/IIA
Klemmen		1 - 4	1 - 4
Spannung U_o		DC 30 V	DC 30 V
Stromstärke I_o		8,2 mA	8,2 mA
Leistung P_o		62 mW	62 mW
Max. externe Kapazität C_o	IIC	30 nF ²⁾	180 nF ²⁾
	IIB IIIC	0,520 μ F ²⁾	1,37 μ F ²⁾
	IIA	1,70 μ F ²⁾	5,40 μ F ²⁾
Max. externe Induktivität L_o	IIC	1 mH	2 mH
	IIB IIIC	1 mH	2 mH
	IIA	1 mH	2 mH
Kenndaten		Linear	

Anmerkungen:

U_o : Maximale Spannung eines beliebigen Leiters gegen die übrigen drei Leiter

I_o : Maximale Ausgangsstrom für die ungünstigste Verbindung der internen Strombegrenzungswiderstände

P_o : $U_o \times I_o$ geteilt durch 4 (Lineare Charakteristik)

2) Internes L und C ist bereits berücksichtigt

Die elektrischen Kenngrößen der Kopf- und Schienenversion sind identisch.

11. Technische Daten

Typ T15.x-AI

Der eigensichere Sensorstromkreis (optional 2-Leiter-, 3-Leiter- oder 4-Leiter-Konfiguration) beider Ausführungen ist zur Versorgung von Betriebsmitteln in Bereichen mit 1G- oder 1D-Anforderungen bestimmt.

Die Version T15.H-AI ist für den Einbau in Gehäuse oder Anschlussköpfe in Bereichen mit 1G-, 2G- oder 1D-, 2D-Anforderungen ausgelegt.

Die Version T15.R-AI ist für den Einbau in ein Gehäuse bestimmt, das mindestens die Schutzart IP20 (2G-Anwendung oder Errichtung außerhalb des Ex-Bereiches) bzw. IP6x (2D-Anwendung) gewährleistet.

DE

Umgebungstemperaturbereich

Anwendung	Umgebungstemperaturbereich	Temperaturklasse	Leistung P_i
Gruppe II	$-40\text{ °C } (-40\text{ °F}) \leq T_a \leq +85\text{ °C } (+185\text{ °F})$	T4	800 mW
	$-40\text{ °C } (-40\text{ °F}) \leq T_a \leq +70\text{ °C } (+158\text{ °F})$	T5	800 mW
	$-40\text{ °C } (-40\text{ °F}) \leq T_a \leq +55\text{ °C } (+131\text{ °F})$	T6	800 mW
Gruppe IIIC	$-40\text{ °C } (-40\text{ °F}) \leq T_a \leq +40\text{ °C } (+104\text{ °F})$	N / A	750 mW
	$-40\text{ °C } (-40\text{ °F}) \leq T_a \leq +75\text{ °C } (+167\text{ °F})$	N / A	650 mW
	$-40\text{ °C } (-40\text{ °F}) \leq T_a \leq +85\text{ °C } (+185\text{ °F})$	N / A	550 mW

N / A = nicht anwendbar

11.2 Sicherheitstechnische Kennwerte Typen T15.x-AN, T15.x-AE

Versorgungs- und Signalstromkreis (4 ... 20 mA-Schleife)

Schutzniveau Ex nA IIC/IIB/IIA

Kenngrößen	Typen T15.x-AN, T15.x-AE
	Gas-Ex-Anwendung
Klemmen	+ / -
Spannung U_i	DC 35 V
Strom I_i	21,5 mA

Sensorstromkreis

Schutzniveau Ex nA IIC/IIB/IIA

Kenngrößen	Typen T15.x-AN, T15.x-AE
Klemmen	1 - 4
Leistung P_o	0,33 mW DC 3,3 V 0,1 mA

11. Technische Daten / 12. Zubehör

Umgebungstemperaturbereich

Anwendung	Umgebungstemperaturbereich	Temperaturklasse
Gruppe II	$-40\text{ °C } (-40\text{ °F}) \leq T_a \leq +85\text{ °C } (+185\text{ °F})$	T4
	$-40\text{ °C } (-40\text{ °F}) \leq T_a \leq +70\text{ °C } (+158\text{ °F})$	T5
	$-40\text{ °C } (-40\text{ °F}) \leq T_a \leq +55\text{ °C } (+131\text{ °F})$	T6

DE




N / A = nicht anwendbar

11.3 Versionierung nach NAMUR NE53

Firmware-Version	Bemerkungen	WIKAsoft-TT	Modem
V 1.0.0	Erste „Launch“-Version des T15	v 1.2	PU-448 (S.Nr. < 10000) oder PU-548
V 1.0.6	-	v 1.3	PU-448 (S.Nr. > 10000) oder PU-548
V 1.1.4	Aktuelle Version	v 1.7	PU-448 (S.Nr. > 10000) oder PU-548

Weitere technische Daten siehe WIKA-Datenblatt TE 15.01 und Bestellunterlagen.

12. Zubehör

Typ	Besonderheiten	Bestell-Nr.
Programmiereinheit Typ PU-548 	<ul style="list-style-type: none"> ■ Einfache Bedienung ■ LED-Statusanzeige ■ Kompakte Bauform ■ Keine zusätzliche Spannungsversorgung notwendig, weder für die Programmiereinheit noch für den Transmitter ■ Keine Treiberinstallation notwendig (Windows® Standardtreiber werden genutzt) ■ 2 mm-Bananenstecker ■ Inkl. 1 magnetischer Schnellkontakt Typ magWIK <p>(ersetzt Programmiereinheit Typ PU-448)</p>	14231581
Magnetischer Schnellkontakt magWIK 	<ul style="list-style-type: none"> ■ Ersatz für Krokodil- und HART®-Klemmen ■ Schnelle, sichere und feste Kontaktierung ■ Für alle Konfigurations- und Kalibrierprozesse ■ 2 mm-Buchsen ■ Inkl. 2 Adapter (2 mm auf 4 mm-Buchse) 	14026893
Adapter 	<ul style="list-style-type: none"> ■ Passend zu TS 35 nach DIN EN 60715 (DIN EN 50022) bzw. TS 32 nach DIN EN 50035 ■ Werkstoff: Kunststoff / CrNi-Stahl ■ Abmessungen: 60 x 20 x 41,6 mm (2,3 x 0,7 x 1,6 in) 	3593789
Adapter 	<ul style="list-style-type: none"> ■ Passend zu TS 35 nach DIN EN 60715 (DIN EN 50022) ■ Werkstoff: Stahl verzinkt ■ Abmessungen: 49 x 8 x 14 mm (1,9 x 0,3 x 0,5 in) 	3619851

14139245.07 08/2020 EN/DE