

9.1. Заглушка фланцевая

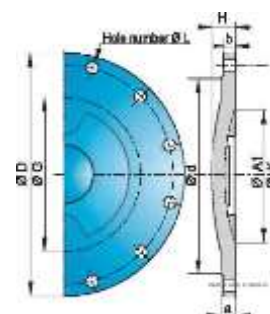
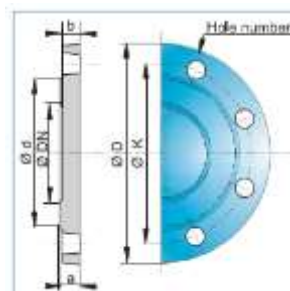
Сфера применения:

питьевое водоснабжение

Основные

характеристики:

внутреннее и внешнее
эпоксидное покрытие
голубого цвета в
соответствии со
стандартом EN 14901,
EN 545, ISO 2531



| DN | Вес (кг) | | | | Артикул | | | |
|-----|----------|------|------|------|-------------|-------------|-------------|----------|
| | PN10 | PN16 | PN25 | PN40 | PN10 | PN16 | PN25 | PN40 |
| 40 | 2 | 2 | 2 | 2 | BBA40QN1 | BBA40QN1 | BBA40QN1 | BBA40QN1 |
| 50 | 3 | 3 | 3 | 3 | BBA50QN1 | BBA50QN1 | BBA50QN1 | BBA50QN1 |
| 60 | 2.7 | 2.7 | 2.6 | 2.6 | BBA60QN1 | BBA60QN1 | BBA60QN3 | BBA60QN3 |
| 65 | 3.1 | 3.1 | 3 | 3 | BBA65QN1 | BBA65QN1 | BBA65QN3 | BBA65QN3 |
| 80 | 3.5 | 3.5 | 3.5 | 3.5 | BBA80QN1 | BBA80QN1 | BBA80QN1 | BBA80QN1 |
| 100 | 4.3 | 4.3 | 4.8 | 4.8 | BBB10QN1 | BBB10QN1 | BBB10QN3 | BBB10QN3 |
| 125 | 5.6 | 5.6 | 6.5 | | BBB12QN1 | BBB12QN1 | BBB12QN3 | |
| 150 | 7.2 | 7.2 | 8.6 | | BBB15QN1 | BBB15QN1 | BBB15QN3 | |
| 200 | 11 | 13.8 | 13.9 | | BBB20QN1 | BBB20QN2 | BBB20QN3 | |
| 250 | 16.9 | 16.9 | 22 | | BBB25QN1 | BBB25QN2 | BBB25QN3 | |
| 300 | 26.5 | 26.5 | 33 | | BBB30QN1 | BBB30QN2 | BBB30QN3 | |
| 350 | 32.5 | 37.5 | 37.5 | | BBB35QN10NN | BBB35QN20NN | BBB35QN30NN | |
| 400 | 45.5 | 43.5 | 63 | | BBB40QN10NN | BBB40QN20NN | BBB40QN30NN | |
| 450 | 55 | 64 | 80 | | BBB45QN10NN | BBB45QN20NN | BBB45QN30NN | |
| 500 | 70 | 84 | 101 | | BBB50QN10NN | BBB50QN20NN | BBB50QN30NN | |
| 600 | 106 | 133 | 156 | | BBB60QN10NN | BBB60QN20NN | BBB60QN30NN | |

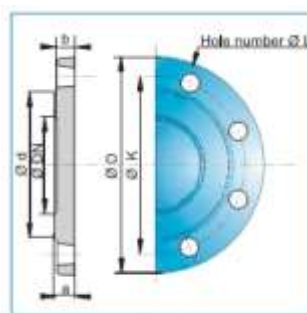
9.2. Заглушка фланцевая

Сфера применения:

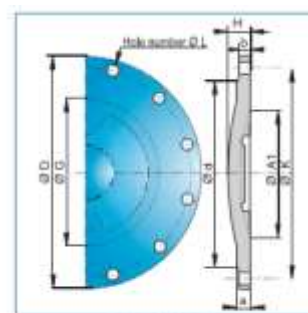
Питьевое водоснабжение

Основные характеристики:

Внутреннее и внешнее эпоксидное покрытие голубого цвета в соответствии со стандартом EN 14901, EN 545, ISO 2531



DN 40-250



DN 300-600

PFA10

| DN | D | a | b | d | G | H | Количество отверстий | L | K | A1 |
|---|-----|------|------|-----|-----|------|-------------------------|----|-----|-----|
| Для DN от 40 до 150 смотрите PFA16 ниже | | | | | | | | | | |
| 200 | 340 | 20 | 17 | 266 | - | - | 8 | 23 | 295 | - |
| 250 | 400 | 22 | 19 | 319 | - | - | 12 | 23 | 350 | - |
| 300 | 455 | 24.5 | 20.5 | 370 | 290 | 40.5 | 12 | 23 | 400 | 246 |
| 350 | 505 | 24.5 | 20.5 | 429 | 340 | 50.3 | 16 | 23 | 505 | 290 |
| 400 | 565 | 24.5 | 20.5 | 480 | 385 | 62 | 16 | 28 | 515 | 350 |
| 450 | 615 | 25.5 | 21.5 | 530 | 435 | 68.5 | 20 | 28 | 565 | 430 |
| 500 | 670 | 26.5 | 22.5 | 582 | 490 | 58 | 20 | 28 | 620 | 450 |
| 600 | 780 | 30 | 25 | 682 | 585 | 88 | 20 | 31 | 725 | 550 |

PFA16

| DN | D | a | b | d | G | H | Количество отверстий | L | K | A1 |
|-----|-----|------|------|-----|-----|------|-------------------------|----|-----|-----|
| 40 | 150 | 19 | 16 | 84 | - | - | 4 | 19 | 110 | - |
| 50 | 165 | 19 | 16 | 99 | - | - | 4 | 19 | 125 | - |
| 60 | 175 | 19 | 16 | 108 | - | - | 4 | 19 | 135 | - |
| 65 | 185 | 19 | 16 | 118 | - | - | 4 | 19 | 145 | - |
| 80 | 200 | 19 | 16 | 132 | - | - | 8 | 19 | 160 | - |
| 100 | 220 | 19 | 16 | 156 | - | - | 8 | 19 | 180 | - |
| 125 | 250 | 19 | 16 | 184 | - | - | 8 | 19 | 210 | - |
| 150 | 285 | 19 | 16 | 211 | - | - | 8 | 23 | 240 | - |
| 200 | 340 | 20 | 17 | 266 | - | - | 12 | 23 | 295 | - |
| 250 | 400 | 22 | 19 | 319 | - | - | 12 | 28 | 355 | - |
| 300 | 455 | 24.5 | 20.5 | 370 | 290 | 40.5 | 12 | 28 | 410 | 246 |
| 350 | 520 | 26.5 | 22.5 | 429 | 340 | 52.3 | 16 | 28 | 470 | 290 |
| 400 | 580 | 28 | 24 | 480 | 385 | 64 | 16 | 31 | 525 | 350 |
| 450 | 640 | 30 | 26 | 548 | 435 | 71 | 20 | 31 | 585 | 400 |
| 500 | 715 | 31.5 | 27.5 | 609 | 485 | 77.5 | 20 | 34 | 650 | 450 |
| 600 | 840 | 36 | 31 | 720 | 585 | 91 | 20 | 37 | 770 | 550 |

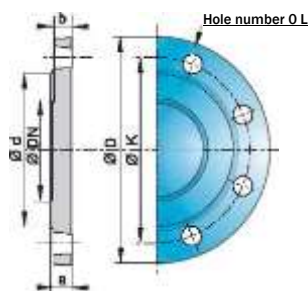
9.3. Заглушка фланцевая

Сфера применения:

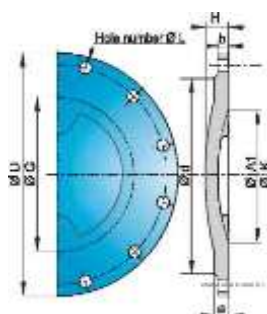
Питьевое водоснабжение

Основные характеристики:

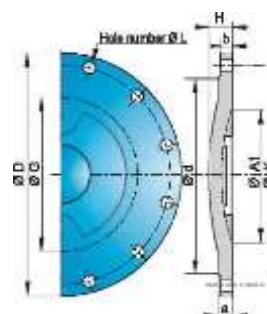
Внутреннее и внешнее эпоксидное покрытие голубого цвета в соответствии со стандартом EN 14901, EN 545, ISO 2531



DN 40 100 PN25
PN40



DN 125 250
PN25 DN 125
300 PN40



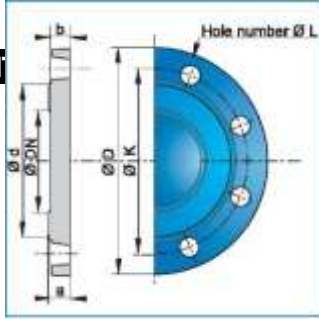
DN 300-600 PN 25

PFA25

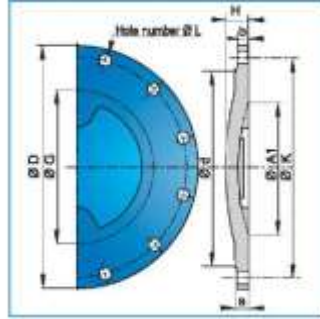
| DN | D | a | b | d | G | H | Количество отверстий | L | K | A1 |
|--|-----|------|------|-----|-----|------|----------------------|----|-----|-----|
| Для DN от 40 до 150 смотрите PFA 40 ниже | | | | | | | | | | |
| 200 | 360 | 22 | 19 | 274 | 190 | 39 | 12 | 28 | 310 | 180 |
| 250 | 425 | 24.5 | 21.5 | 330 | 240 | 46.5 | 12 | 31 | 370 | 230 |
| 300 | 485 | 27.5 | 23.5 | 389 | 290 | 53.5 | 16 | 31 | 430 | 250 |
| 350 | 555 | 30 | 26 | 448 | 335 | 61 | 16 | 34 | 490 | 300 |
| 400 | 620 | 32 | 28 | 503 | 385 | 68 | 16 | 37 | 550 | 350 |
| 450 | 670 | 34.5 | 30.5 | 548 | 435 | 75.5 | 20 | 37 | 600 | 400 |
| 500 | 730 | 36.5 | 32.5 | 609 | 485 | 82.5 | 20 | 37 | 660 | 450 |
| 600 | 845 | 42 | 37 | 720 | 585 | 97 | 20 | 41 | 770 | 550 |

PFA40

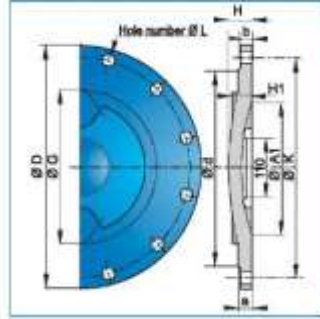
| DN | D | a | b | d | G | H | Количество отверстий | L | K | A1 |
|------------|----------|----------|----------|----------|----------|----------|---------------------------------|----------|----------|-----------|
| 40 | 150 | 19 | 16 | 84 | - | - | 4 | 19 | 110 | - |
| 50 | 165 | 19 | 16 | 99 | - | - | 4 | 19 | 125 | - |
| 60 | 175 | 19 | 16 | 108 | - | - | 8 | 19 | 135 | - |
| 65 | 185 | 19 | 16 | 118 | - | - | 8 | 19 | 145 | - |
| 80 | 200 | 19 | 16 | 132 | - | - | 8 | 19 | 160 | - |
| 100 | 235 | 19 | 16 | 156 | - | - | 8 | 23 | 190 | - |
| 125 | 270 | 23.5 | 20.5 | 184 | 115 | 28.5 | 8 | 28 | 220 | 105 |
| 150 | 300 | 26 | 23 | 211 | 140 | 32 | 8 | 28 | 250 | 130 |
| 200 | 375 | 30 | 27 | 284 | 190 | 39 | 12 | 31 | 320 | 180 |
| 250 | 450 | 34.5 | 31.5 | 345 | 240 | 46.5 | 12 | 31 | 370 | 230 |
| 300 | 515 | 39.5 | 35.5 | 409 | 290 | 53.5 | 16 | 31 | 430 | 250 |



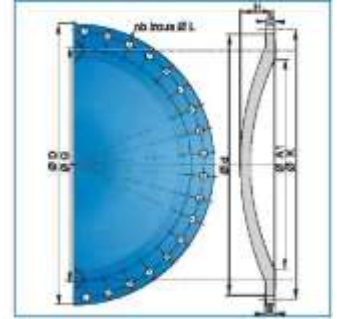
DN 40-250



DN 300-600



DN 700-1200



DN 1400-2000

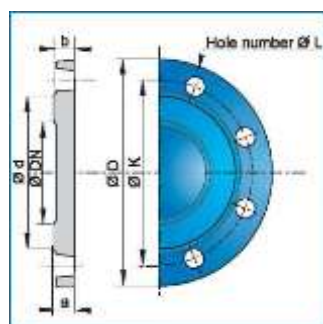
9.4. Заглушка фланцевая

Сфера применения: Питьевое водоснабжение

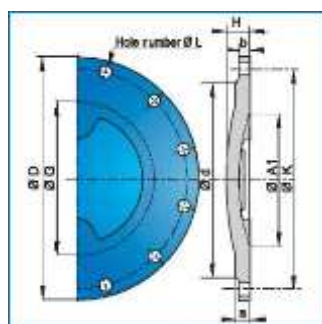
Основные характеристики: Внутреннее и внешнее эпоксидное покрытие голубого цвета в соответствии со стандартом EN 14901, EN 545, ISO 2531

| DN | Вес (кг) | | | | Артикул | | | |
|------|----------|------|------|------|-------------|-------------|-------------|-------------|
| | PN10 | PN16 | PN25 | PN40 | PN10 | PN16 | PN25 | PN40 |
| 40 | 2 | 2 | 2 | 2 | BBA40QN10TT | BBA40QN10TT | BBA40QN10TT | BBA40QN10TT |
| 50 | 3 | 3 | 3 | 3 | BBA50QN10TT | BBA50QN10TT | BBA50QN10TT | BBA50QN10TT |
| 60 | 2.7 | 2.7 | | | BBA60QN10TT | BBA60QN10TT | | |
| 65 | 3.1 | 3.1 | | | BBA65QN10TT | BBA65QN10TT | | |
| 80 | 3.5 | 3.5 | 3.5 | 3.5 | BBA80QN10TT | BBA80QN10TT | BBA80QN10TT | BBA80QN10TT |
| 100 | 4.3 | 4.3 | 4.8 | 4.8 | BBB10QN10TT | BBB10QN10TT | BBB10QN30TT | BBB10QN30TT |
| 125 | 5.6 | 5.6 | 6.5 | 6.5 | BBB12QN10TT | BBB12QN10TT | BBB12QN30TT | BBB12QN30TT |
| 150 | 7.2 | 7.2 | 8.5 | 8.5 | BBB15QN10TT | BBB15QN10TT | BBB15QN30TT | BBB15QN30TT |
| 200 | 11 | 11 | 13.9 | | BBB20QN10TT | BBB20QN20TT | BBB20QN30TT | |
| 250 | 16.9 | 16.9 | 22 | | BBB25QN10TT | BBB25QN20TT | BBB25QN30TT | |
| 300 | 26.5 | 26.5 | 33 | | BBB30QN10TT | BBB30QN20TT | BBB30QN30TT | |
| 350 | 32.5 | 37.5 | 37.5 | | BBB35QN10TT | BBB35QN20TT | BBB35QN30TT | |
| 400 | 45.5 | 43.5 | 63 | | BBB40QN10TT | BBB40QN20TT | BBB40QN30TT | |
| 450 | 55 | 64 | 80 | | BBB45QN10TT | BBB45QN20TT | BBB45QN30TT | |
| 500 | 70 | 84 | 101 | | BBB50QN10TT | BBB50QN20TT | BBB50QN30TT | |
| 600 | 106 | 133 | 156 | | BBB60QN10TT | BBB60QN20TT | BBB60QN30TT | |
| 700 | 153 | 166 | 221 | | BBB70QN10TT | BBB70QN20TT | BBB70QN30TT | |
| 800 | 214 | 230 | 311 | | BBB80QN10TT | BBB80QN20TT | BBB80QN30TT | |
| 900 | 279 | 300 | | | BBB90QN10TT | BBB90QN20TT | | |
| 1000 | 367 | 400 | 540 | | BBC10QN10TT | BBC10QN20TT | BBC10QN30TT | |
| 1100 | | 520 | | | | BBC11QN20TT | | |
| 1200 | 506 | 662 | | | BBC12QN10TT | BBC12QN20TT | | |
| 1400 | | 993 | | | | BBC14QN20TT | | |
| 1500 | | 1222 | | | | BBC15QN20TT | | |
| 1600 | | 1462 | | | | BBC16QN20TT | | |
| 1800 | 1717 | 2016 | | | BBC18QN10TT | BBC18QN20TT | | |
| 2000 | 2272 | 2660 | 3350 | | BBC20QN10TT | BBC20QN20TT | BBC20QN30TT | |

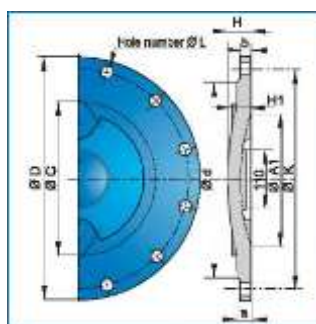
9.5. Заглушка фланцевая



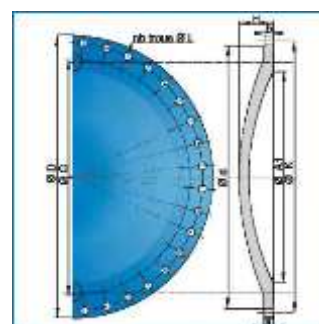
DN 40-250



DN 300-600



DN 700-1200



DN 1400-2000

Сфера применения: Питьевое водоснабжение

Основные характеристики: Внутреннее и внешнее эпоксидное покрытие голубого цвета в соответствии со стандартом EN 14901, EN 545, ISO 2531

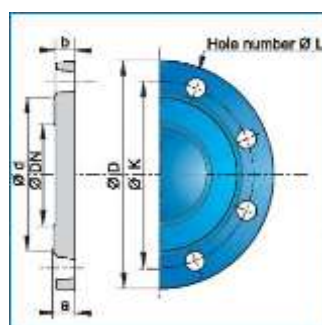
PFA 10 DN от 40 до 600

| DN | D | a | b | d | G | H | Количество отверстий | L | K | A1 |
|-----|-----|------|------|-----|-----|------|----------------------|----|-----|-----|
| 200 | 340 | 20 | 17 | 266 | - | - | 8 | 23 | 295 | - |
| 250 | 400 | 22 | 19 | 319 | - | - | 12 | 23 | 350 | - |
| 300 | 455 | 24.5 | 20.5 | 370 | 290 | 40.5 | 12 | 23 | 400 | 246 |
| 350 | 505 | 24.5 | 20.5 | 429 | 340 | 50.3 | 12 | 23 | 460 | 290 |
| 400 | 565 | 24.5 | 20.5 | 480 | 385 | 62 | 16 | 28 | 515 | 350 |
| 450 | 615 | 25.5 | 21.5 | 530 | 435 | 68.5 | 20 | 28 | 565 | 400 |
| 500 | 670 | 26.5 | 22.5 | 582 | 490 | 58 | 20 | 28 | 620 | 450 |
| 600 | 780 | 30 | 25 | 682 | 585 | 88 | 20 | 31 | 725 | 550 |

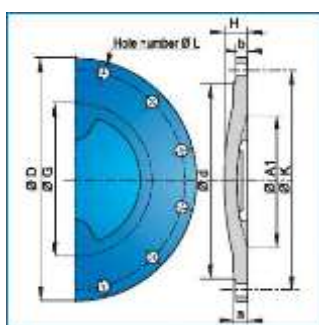
PFA 10 DN от 700 до 2000

| DN | D | a | b | d | G | H | Количество отверстий | L | K | A1 |
|------|------|------|------|------|------|-------|----------------------|----|------|------|
| 700 | 895 | 32.5 | 27.5 | 794 | 680 | 101 | 24 | 31 | 840 | 650 |
| 800 | 1015 | 35 | 30 | 901 | 785 | 114 | 24 | 34 | 950 | 750 |
| 900 | 1115 | 37.5 | 32.5 | 1001 | 885 | 127 | 28 | 34 | 1050 | 850 |
| 1000 | 1230 | 40 | 35 | 1112 | 985 | 140 | 28 | 37 | 1160 | 950 |
| 1100 | 1340 | 42.5 | 37.5 | 1218 | 1085 | 147.5 | 32 | 37 | 1270 | 1050 |
| 1200 | 1455 | 45 | 40 | 1328 | 1185 | 160 | 32 | 41 | 1380 | 1150 |
| 1400 | 1675 | 46 | 41 | 1530 | 1375 | 192 | 36 | 43 | 1590 | - |
| 1500 | 1785 | 47.5 | 42.5 | 1640 | 1475 | 205 | 36 | 43 | 1700 | - |
| 1600 | 1915 | 49 | 44 | 1750 | 1575 | 218 | 40 | 49 | 1820 | - |
| 1800 | 2115 | 52 | 47 | 1950 | 1775 | 244 | 44 | 49 | 2020 | - |
| 2000 | 2325 | 55 | 50 | 2150 | 1975 | 270 | 48 | 49 | 2230 | - |

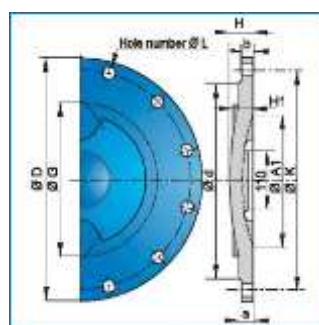
9.6. Заглушка фланцевая



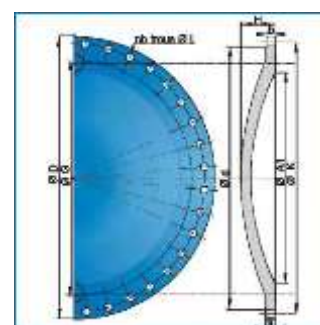
DN 40-250



DN 300-600



DN 700-1200



DN 1400-2000

Сфера применения: Пищевое водоснабжение

Основные характеристики: Внутреннее и внешнее эпоксидное покрытие голубого цвета в соответствии со стандартом EN 14901, EN 545, ISO 2531

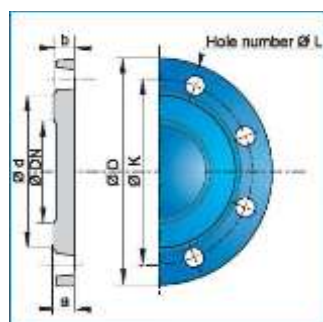
PFA 16 DN от 40 до 600

| DN | D | a | b | d | G | H | Количество отверстий | L | K | A1 |
|-----|-----|------|------|-----|-----|------|----------------------|----|-----|-----|
| 40 | 150 | 19 | 16 | 84 | - | - | 4 | 19 | 110 | - |
| 50 | 165 | 19 | 16 | 99 | - | - | 4 | 19 | 125 | - |
| 60 | 175 | 19 | 16 | 108 | - | - | 4 | 19 | 135 | - |
| 65 | 185 | 19 | 16 | 118 | - | - | 4 | 19 | 145 | - |
| 80 | 200 | 19 | 16 | 132 | - | - | 8 | 19 | 160 | - |
| 100 | 220 | 19 | 16 | 153 | - | - | 8 | 19 | 180 | - |
| 125 | 250 | 19 | 16 | 184 | - | - | 8 | 19 | 210 | - |
| 150 | 285 | 19 | 16 | 211 | - | - | 8 | 23 | 240 | - |
| 200 | 340 | 20 | 17 | 266 | - | - | 12 | 23 | 295 | - |
| 250 | 400 | 22 | 19 | 319 | - | - | 12 | 28 | 355 | - |
| 300 | 455 | 24.5 | 20.5 | 370 | 290 | 40.5 | 12 | 28 | 410 | 246 |
| 350 | 520 | 26.5 | 22.5 | 429 | 340 | 52.3 | 16 | 28 | 470 | 290 |
| 400 | 580 | 28 | 24 | 480 | 385 | 64 | 16 | 31 | 525 | 350 |
| 450 | 640 | 30 | 26 | 548 | 435 | 71 | 20 | 31 | 585 | 400 |
| 500 | 715 | 31.5 | 27.5 | 609 | 485 | 77.5 | 20 | 34 | 650 | 450 |
| 600 | 840 | 36 | 31 | 720 | 585 | 91 | 20 | 37 | 770 | 550 |

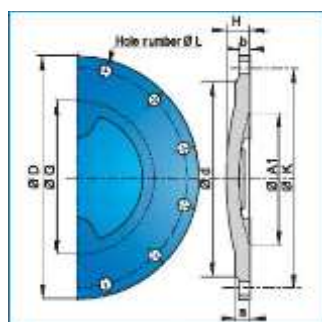
PFA 16 DN от 700 до 2000

| DN | D | a | b | d | G | H | Количество отверстий | L | K | A1 |
|------|------|------|------|------|------|-------|----------------------|----|------|------|
| 700 | 910 | 39.5 | 34.5 | 794 | 685 | 112 | 24 | 37 | 840 | 650 |
| 800 | 1025 | 43 | 38 | 901 | 785 | 126 | 24 | 41 | 950 | 750 |
| 900 | 1125 | 46.5 | 41.5 | 1001 | 885 | 141 | 28 | 41 | 1050 | 850 |
| 1000 | 1255 | 50 | 45 | 1112 | 985 | 155 | 28 | 44 | 1170 | 950 |
| 1100 | 1355 | 53.5 | 48.5 | 1218 | 1085 | 170 | 32 | 44 | 1270 | 1050 |
| 1200 | 1485 | 57 | 52 | 1328 | 1185 | 184 | 32 | 50 | 1390 | 1150 |
| 1400 | 1685 | 60 | 55 | 1530 | 1342 | 199 | 36 | 50 | 1590 | - |
| 1500 | 1820 | 62.5 | 57.5 | 1640 | 1441 | 212.5 | 36 | 56 | 1710 | - |
| 1600 | 1930 | 65 | 60 | 1750 | 1540 | 226 | 40 | 57 | 1820 | - |
| 1800 | 2130 | 70 | 65 | 1950 | 1734 | 253 | 44 | 57 | 2020 | - |
| 2000 | 2345 | 75 | 70 | 2150 | 1930 | 280 | 48 | 62 | 2230 | - |

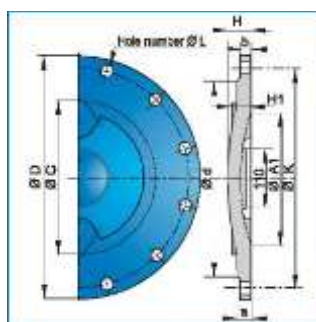
9.7. Заглушка фланцевая



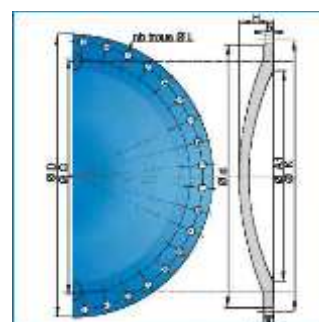
DN 40-250



DN 300-600



DN 700-1200



DN 1400-2000

Сфера применения: Питьевое водоснабжение

Основные характеристики: Внутреннее и внешнее эпоксидное покрытие голубого цвета в соответствии со стандартом EN 14901, EN 545, ISO 2531

PFA 25 DN от 40 до 600

| DN | D | a | b | d | G | H | Количество отверстий | L | K | A1 |
|-----|-----|------|------|-----|-----|------|----------------------|----|-----|-----|
| 200 | 360 | 22 | 19 | 274 | 190 | 39 | 12 | 28 | 310 | 180 |
| 250 | 425 | 24.5 | 21.5 | 330 | 240 | 46.5 | 12 | 31 | 370 | 230 |
| 300 | 485 | 27.5 | 23.5 | 389 | 290 | 53.5 | 16 | 31 | 430 | 250 |
| 350 | 555 | 30 | 26 | 448 | 335 | 61 | 16 | 34 | 490 | 300 |
| 400 | 620 | 32 | 28 | 503 | 385 | 68 | 16 | 37 | 550 | 350 |
| 450 | 670 | 34.5 | 30.5 | 548 | 435 | 75.5 | 20 | 37 | 600 | 400 |
| 500 | 730 | 36.5 | 32.5 | 609 | 485 | 82.5 | 20 | 37 | 660 | 450 |
| 600 | 845 | 42 | 37 | 720 | 585 | 97 | 20 | 41 | 770 | 550 |

PFA25 DN от 700 до 1600

| DN | D | a | b | d | G | H | Количество отверстий | L | K | A1 |
|------|------|------|------|------|------|-----|----------------------|----|------|------|
| 700 | 960 | 46.5 | 41.5 | 820 | 685 | 112 | 24 | 44 | 875 | 650 |
| 800 | 1085 | 51 | 46 | 928 | 785 | 126 | 24 | 50 | 990 | 750 |
| 900 | 1185 | 55.5 | 50.5 | 1028 | 885 | 141 | 28 | 50 | 1090 | 850 |
| 1000 | 1320 | 60 | 55 | 1140 | 985 | 155 | 28 | 57 | 1210 | 950 |
| 1100 | 1420 | 64.5 | 59.5 | 1240 | 1085 | 170 | 32 | 57 | 1310 | 1050 |
| 1200 | 1530 | 69 | 64 | 1350 | 1185 | 184 | 32 | 57 | 1420 | 1150 |
| 1400 | 1755 | 74 | 69 | 1560 | 1342 | 213 | 36 | 62 | 1640 | |
| 1600 | 1975 | 81 | 76 | 1780 | 1540 | 242 | 40 | 62 | 1860 | |

PFA 40 DN от 40 до 600

| DN | D | a | b | d | G | H | Количество отверстий | L | K | A1 |
|-----|-----|------|------|-----|-----|---|----------------------|----|-----|-----|
| 40 | 150 | 19 | 16 | 84 | | | 4 | 19 | 110 | |
| 50 | 165 | 19 | 16 | 99 | | | 4 | 19 | 125 | |
| 60 | 175 | 19 | 16 | 108 | | | 8 | 19 | 135 | |
| 65 | 185 | 19 | 16 | 118 | | | 8 | 19 | 145 | |
| 80 | 200 | 19 | 16 | 132 | | | 8 | 19 | 160 | |
| 100 | 235 | 19 | 16 | 156 | | | 8 | 23 | 190 | |
| 125 | 270 | 23.5 | 20.5 | 184 | 115 | | 8 | 28 | 220 | 105 |
| 150 | 300 | 26 | 23 | 211 | 140 | | 8 | 28 | 250 | 140 |
| 200 | 375 | 30 | 27 | 284 | 190 | | 12 | 31 | 320 | 190 |
| 250 | 450 | 34.5 | 31.5 | 343 | 240 | | 12 | 34 | 385 | 230 |

9.8. Заглушка фланцевая

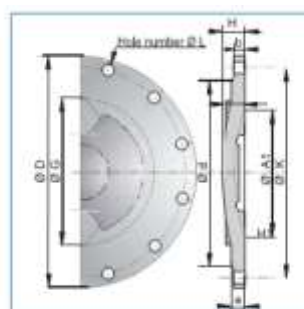
Сфера применения:

Питьевое водоснабжение

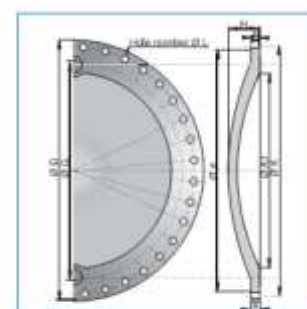
Основные

характеристики:

Внутреннее и внешнее
эпоксидное покрытие
черного цвета в
соответствии со
стандартом EN 14901, EN
545, ISO 2531



DN 700-1200

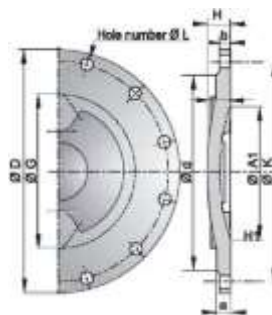


DN 1400-2000

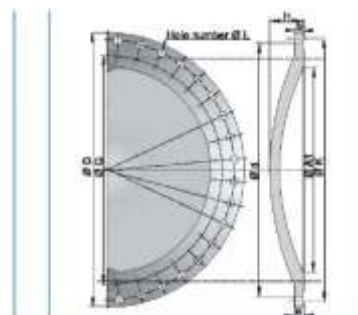
| DN | Вес | | | Артикул | | |
|------|------|------|------|----------|----------|----------|
| | PN10 | PN16 | PN25 | PN10 | PN16 | PN25 |
| 700 | 153 | 166 | 221 | BBB70QN1 | BBB70QN2 | BBB70QN3 |
| 800 | 214 | 230 | 311 | BBB80QN1 | BBB80QN2 | BBB80QN3 |
| 900 | 279 | 300 | 405 | BBB90QN1 | BBB90QN2 | BBB90QN3 |
| 1000 | 367 | 400 | 540 | BBC10QN1 | BBC10QN2 | BBC10QN3 |
| 1100 | 405 | 520 | 672 | BBC11QN1 | BBC11QN2 | BBC11QN3 |
| 1200 | 506 | 662 | 840 | BBC12QN1 | BBC12QN2 | BBC12QN3 |
| 1400 | 847 | 993 | 1284 | BBC14QN1 | BBC14QN2 | BBC14QN3 |
| 1500 | 1027 | 1222 | - | BBC15QN1 | BBC15QN2 | - |
| 1600 | 1239 | 1462 | - | BBC16QN1 | BBC16QN2 | - |
| 1800 | 1717 | 2016 | - | BBC18QN1 | BBC18QN2 | - |
| 2000 | 2272 | 2660 | - | BBC20QN1 | BBC20QN2 | - |

9.9. Заглушка фланцевая

Сфера применения: Питьевое водоснабжение
Основные характеристики: Внутреннее и внешнее эпоксидное покрытие черного цвета в соответствии со стандартом EN 14901, EN 545, ISO 2531



DN
700-1200



DN
1400-2000

PFA 10

| DN | D | a | b | d | G | H | H1 | Количество отверстий | L | K | A1 |
|------|------|------|------|------|------|-------|----|----------------------|----|------|------|
| 700 | 895 | 32.5 | 27.5 | 794 | 680 | 101 | 55 | 24 | 31 | 840 | 650 |
| 800 | 1015 | 35 | 30 | 901 | 785 | 114 | 60 | 24 | 34 | 950 | 750 |
| 900 | 1115 | 37.5 | 32.5 | 1001 | 885 | 127 | 60 | 28 | 34 | 1050 | 850 |
| 1000 | 1230 | 40 | 35 | 1112 | 985 | 140 | 65 | 28 | 37 | 1160 | 950 |
| 1100 | 1340 | 42.5 | 37.5 | 1218 | 1085 | 147.5 | 65 | 32 | 37 | 1270 | 1050 |
| 1200 | 1455 | 45 | 40 | 1328 | 1185 | 160 | 75 | 32 | 41 | 1380 | 1150 |
| 1400 | 1675 | 46 | 41 | 1530 | 1375 | 192 | - | 36 | 43 | 1590 | - |
| 1500 | 1785 | 47.5 | 42.5 | 1640 | 1475 | 205 | - | 36 | 43 | 1700 | - |
| 1600 | 1915 | 49 | 44 | 1750 | 1575 | 218 | - | 40 | 49 | 1820 | - |
| 1800 | 2115 | 52 | 47 | 1950 | 1775 | 244 | - | 44 | 49 | 2020 | - |
| 2000 | 2325 | 55 | 50 | 2150 | 1975 | 270 | - | 48 | 49 | 2230 | - |

PFA 16

| DN | D | a | b | d | G | H | H1 | Количество отверстий | L | K | A1 |
|------|------|------|------|------|------|-------|----|----------------------|----|------|------|
| 700 | 910 | 39.5 | 34.5 | 794 | 685 | 112 | 60 | 24 | 37 | 840 | 650 |
| 800 | 1025 | 43 | 38 | 901 | 785 | 126 | 65 | 24 | 41 | 950 | 750 |
| 900 | 1125 | 46.5 | 41.5 | 1001 | 885 | 141 | 65 | 28 | 41 | 1050 | 850 |
| 1000 | 1255 | 50 | 45 | 1112 | 985 | 155 | 75 | 28 | 44 | 1170 | 950 |
| 1100 | 1355 | 53.5 | 48.5 | 1218 | 1085 | 170 | 80 | 32 | 44 | 1270 | 1050 |
| 1200 | 1485 | 57 | 52 | 1328 | 1185 | 184 | 85 | 32 | 50 | 1390 | 1150 |
| 1400 | 1685 | 60 | 55 | 1530 | 1342 | 199 | - | 36 | 50 | 1590 | - |
| 1500 | 1820 | 62.5 | 57.5 | 1640 | 1441 | 212.5 | - | 36 | 56 | 1710 | - |
| 1600 | 1930 | 65 | 60 | 1750 | 1540 | 226 | - | 40 | 57 | 1820 | - |
| 1800 | 2130 | 70 | 65 | 1950 | 1734 | 253 | - | 44 | 57 | 2020 | - |
| 2000 | 2345 | 75 | 70 | 2150 | 1930 | 280 | - | 48 | 62 | 2230 | - |

PFA 25

| DN | D | a | b | d | G | H | H1 | Количество отверстий | L | K | A1 |
|-------------|----------|----------|----------|----------|----------|----------|-----------|---------------------------------|----------|----------|-----------|
| 700 | 960 | 46.5 | 41.5 | 820 | 685 | 112 | 60 | 24 | 44 | 875 | 650 |
| 800 | 1085 | 51 | 46 | 928 | 785 | 126 | 65 | 24 | 50 | 990 | 750 |
| 900 | 1185 | 55.5 | 50.5 | 1028 | 885 | 141 | 65 | 28 | 50 | 1090 | 850 |
| 1000 | 1320 | 60 | 55 | 1140 | 985 | 155 | 75 | 28 | 57 | 1210 | 950 |
| 1100 | 1420 | 64.5 | 59.5 | 1240 | 1085 | 170 | 80 | 32 | 57 | 1310 | 1050 |
| 1200 | 1530 | 69 | 64 | 1350 | 1185 | 184 | 85 | 32 | 57 | 1420 | 1150 |
| 1400 | 1755 | 74 | 69 | 1560 | 1342 | 213 | - | 36 | 62 | 1640 | - |
| 1600 | 1975 | 81 | 76 | 1780 | 1540 | 242 | - | 40 | 62 | 1860 | - |

9.10. Сужающий фланец

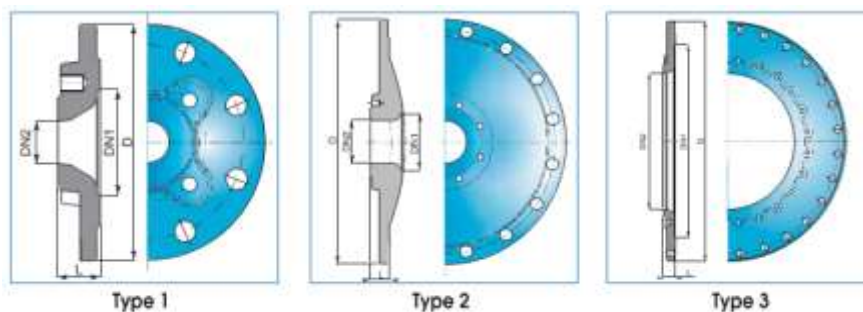
Сфера применения:

Питьевое водоснабжение

Основные

характеристики:

Внутреннее и внешнее
эпоксидное покрытие
голубого цвета в
соответствии со
стандартом EN 14901,
EN 545, ISO 2531



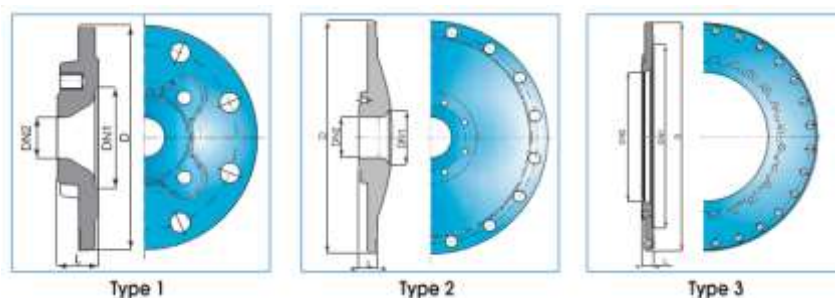
PN 10

| DNI | DN2 | D | Тип (на рисунке Type) | L | Вес | Артикул |
|-----|-----|-----|-----------------------------|------|-------|--------------|
| | | мм | | мм | кг | |
| 100 | 40 | 220 | 1 | 40 | 4.5 | BBB10RN1ANNG |
| 200 | 80 | 340 | 1 | 40 | 10.9 | BBB20RN1ENNG |
| 200 | 100 | 340 | 1 | 40 | 10.9 | BBB20RN1FNNG |
| 200 | 125 | 340 | 1 | 40 | 10.8 | BBB20RN1GNNG |
| 250 | 100 | 400 | 1 | 42 | 17.9 | BBB25RN1FNNG |
| 300 | 100 | 455 | 2 | 44.5 | 24.9 | BBB30RN1FNNG |
| 300 | 150 | 455 | 2 | 44.5 | 27.2 | BBB30RN1JNNG |
| 300 | 200 | 455 | 1 | 46.5 | 27.7 | BBB30RN1KNNG |
| 350 | 250 | 505 | 2 | 49.5 | 37.8 | BBB35RN1LNNG |
| 400 | 100 | 565 | 2 | 27.5 | 44.9 | BBB40RN1FNNG |
| 400 | 150 | 565 | 2 | 29.5 | 46.7 | BBB40RN1JNNG |
| 400 | 200 | 565 | 2 | 46.5 | 47.7 | BBB40RN1KNNG |
| 400 | 250 | 565 | 2 | 46.5 | 55.8 | BBB40RN1LNNG |
| 400 | 300 | 565 | 2 | 53 | 43.8 | BBB40RN1MNNG |
| 600 | 100 | 780 | 2 | 4 | 105.9 | BBB60RN1FNNG |
| 600 | 150 | 780 | 2 | 12.5 | 106.7 | BBB60RN1JNNG |
| 600 | 200 | 780 | 2 | 20 | 108.7 | BBB60RN1KNNG |
| 600 | 450 | 780 | 2 | 63 | 67.9 | BBB60RN1PNNG |

9.11. Сужающий фланец

Сфера применения: Питьевое водоснабжение

Основные характеристики: Внутреннее и внешнее эпоксидное покрытие голубого цвета в соответствии со стандартом EN 14901, EN 545, ISO 2531



PN 16

| DNI | DN2 | D | Тип (на рисунке Type) | L | Вес | Артикул |
|-----|-----|-----|-----------------------|------|-------|--------------|
| | | мм | | мм | кг | |
| 100 | 40 | 220 | 1 | 40 | 4.5 | BBB10RN1ANNG |
| 200 | 80 | 340 | 3 | 40 | 10.9 | BBB20RN2ENNG |
| 200 | 100 | 340 | 3 | 40 | 10.7 | BBB20RN2FNNG |
| 200 | 125 | 340 | 3 | 40 | 10.6 | BBB20RN2GNNG |
| 250 | 100 | 400 | 3 | 42 | 17.9 | BBB25RN2FNNG |
| 300 | 100 | 455 | 2 | 44.5 | 24.9 | BBB30RN2FNNG |
| 300 | 150 | 455 | 2 | 46.5 | 25.7 | BBB30RN2JNNG |
| 300 | 200 | 455 | 2 | 46.5 | 29.1 | BBB30RN2KNNG |
| 350 | 250 | 520 | 2 | 46.5 | 43.4 | BBB35RN2LNNG |
| 400 | 100 | 580 | 2 | 44.5 | 47.9 | BBB40RN2FNNG |
| 400 | 150 | 580 | 2 | 29.5 | 51.7 | BBB40RN2JNNG |
| 400 | 200 | 580 | 2 | 47.5 | 50.6 | BBB40RN2KNNG |
| 400 | 250 | 580 | 2 | 50 | 51.9 | BBB40RN2LNNG |
| 400 | 300 | 580 | 2 | 51.5 | 48.4 | BBB40RN2MNNG |
| 600 | 100 | 840 | 2 | 4 | 131.9 | BBB60RN2FNNG |
| 600 | 150 | 840 | 2 | 10 | 133.7 | BBB60RN2JNNG |
| 600 | 200 | 840 | 2 | 20 | 130.6 | BBB60RN2KNNG |
| 600 | 450 | 840 | 2 | 66 | 104 | BBB60RN2PNNG |

PN 25

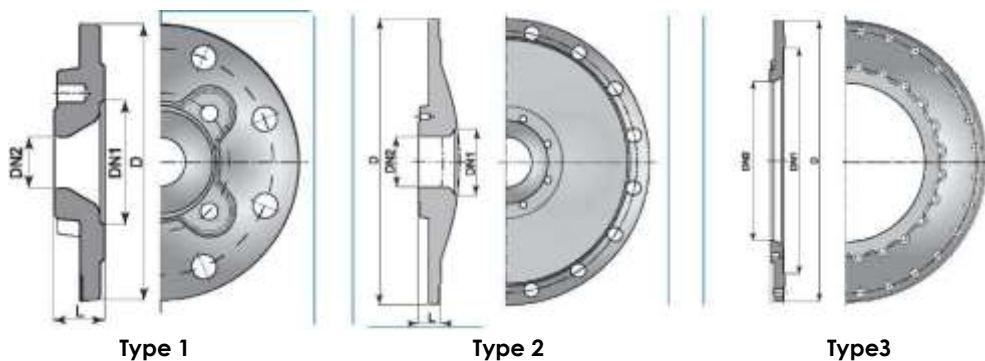
| DNI | DN2 | D | Тип (на картинке Type) | L | Вес | Артикул |
|-----|-----|-----|------------------------|------|-------|--------------|
| | | мм | | мм | кг | |
| 100 | 50 | 235 | 1 | 40 | - | - |
| 200 | 100 | 360 | 1 | 47 | - | - |
| 250 | 100 | 425 | 2 | 55.5 | 25.6 | BBB25RN3FNNG |
| 300 | 150 | 485 | 2 | 47.5 | - | - |
| 350 | 250 | 520 | 1 | 46.5 | 60 | BBB35RN3LNNG |
| 400 | 100 | 620 | 2 | 28.5 | - | - |
| 400 | 200 | 620 | 2 | 54 | 67.4 | BBB40RN3KNNG |
| 400 | 250 | 620 | 2 | 60 | 62.6 | BBB40RN3LNNG |
| 400 | 300 | 620 | 2 | 61 | 63.8 | BBB40RN3MNNG |
| 600 | 200 | 845 | 2 | 29 | 155.4 | BBB60RN3KNNG |

9.12. Сужающий фланец

Сфера применения: Питьевое водоснабжение

Основные характеристики:

Внутреннее и внешнее эпоксидное покрытие голубого цвета в соответствии со стандартом EN 14901, EN 545, ISO 2531



PN 10

| DN1 | DN2 | D | Тип (на картинке Type) | L | Вес | Артикул |
|------|------|------|------------------------|----|-------|--------------|
| | | мм | | мм | кг | |
| 700 | 500 | 895 | 1 | 56 | 108.9 | BBB70RN1QVVG |
| 1000 | 700 | 1230 | 1 | 63 | 254.2 | BBC10RN1SWG |
| 1000 | 800 | 1230 | 1 | 68 | 232.3 | BBC10RN1TVVG |
| 1400 | 800 | 1675 | 1 | 81 | 532.3 | BBC14RN1TVVG |
| 1400 | 1000 | 1675 | 1 | 86 | 463.7 | BBC14RN1VVVG |
| 1600 | 1200 | 1915 | 1 | 94 | 664.5 | BBC16RN1BVVG |

PN 16

| DN1 | DN2 | D | Тип (на картинке Type) | L | Вес | Артикул |
|------|-----|------|------------------------|----|-------|---------------|
| | | мм | | мм | кг | |
| 700 | 500 | 910 | 3 | 67 | 140.2 | BBB70RN2QVVG |
| 1000 | 700 | 1255 | 3 | 83 | 263.4 | BBC 10RN2S WG |
| 1000 | 800 | 1255 | 3 | 88 | 244.2 | BBC10RN2TVVG |

PN 25

| DN1 | DN2 | D | Тип (на картинке Type) | L | Вес | Артикул |
|------|-----|------|------------------------|-----|-------|--------------|
| | | мм | | мм | кг | |
| 1000 | 800 | 1320 | 1 | 114 | 465.9 | BBC10RN3TVVG |