

4

3

2

1


B

B

A

A

УКАЗАТЕЛЬ ДОКУМЕНТОВ		
Список чертежей/версия	141951-0	A
Блок – схема	141951-1	A
Полевой блок	141951-2	A
Газовая схема	141951-3	A
Схема внешних подключений	141951-4	A
Схема внутренних подключений	141951-5	A

A		ORIGINAL ISSUE/AS BUILT		02/27/07	JMS
REV	DESCRIPTION			DATE	DRAWN
<small>WARNING: ANY DEVIATION FROM THE RECOMMENDED INSTALLATION PRACTICES SHOWN ON THIS SALES ORDER MUST BE APPROVED IN WRITING BY AMETEK P&AI DIVISION, SUCH DEVIATION MAY VOID SYSTEMS WARRANTY.</small>					
DRAWN:	JMS	02/27/07	 AMETEK PROCESS & ANALYTICAL INSTRUMENTS DIV. NEWARK, DE 19702		
APPROVED:	JJH	02/28/07			
APPROVED:	NYS	02/28/07			
P.O.: D3004-AS-35-GPR/06					
J.O.: 141951					
S/N: 305B800					
TAG: N/A					
SCALE: NONE		SHEET: 1 OF 1			
<input checked="" type="checkbox"/> FOR INFORMATION	PRODUCT LINE		SIZE	DRAWING NO.	REV.
<input type="checkbox"/> FOR APPROVAL	MOISTURE		A3	141951-0	A
<input type="checkbox"/> FINAL "AS-BUILT"		FILE NAME: 141951-0.DWG			

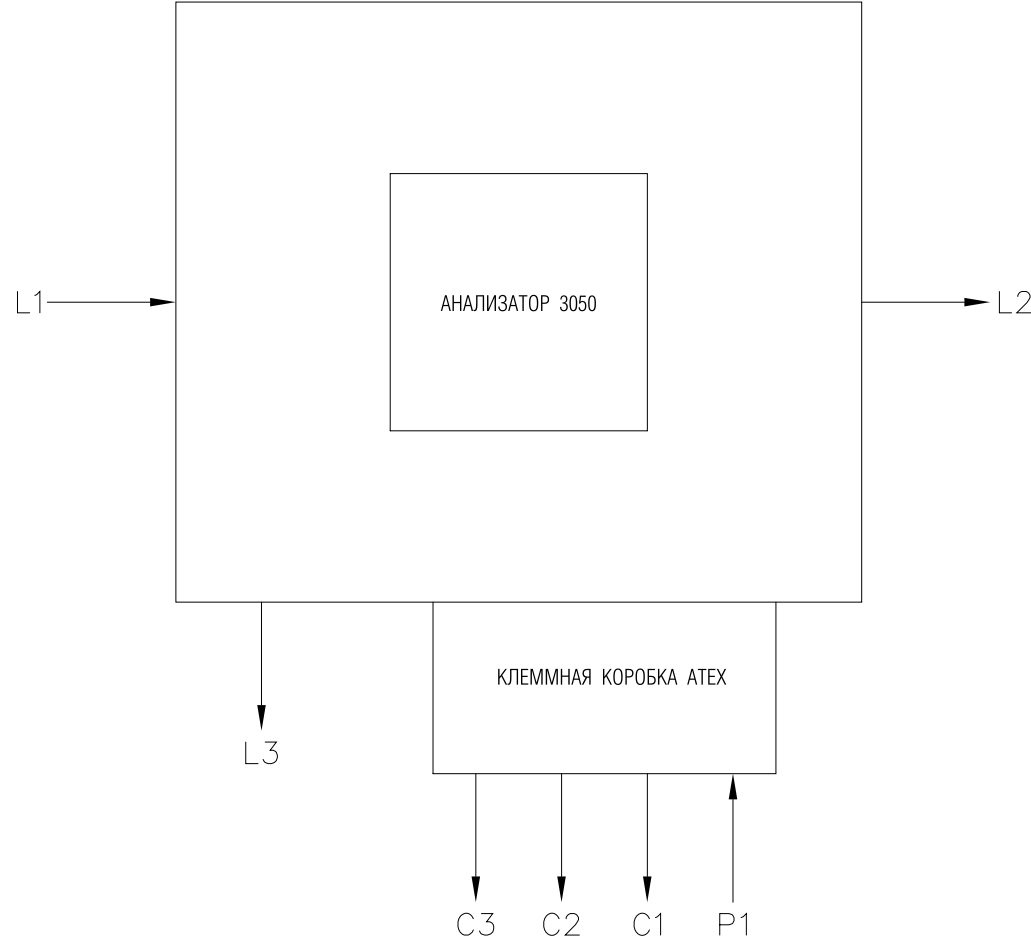
4

3

2

1

3050 – OLV ПОЛЕВОЙ БЛОК



ОТВЕТСТВЕННОСТЬ ЗАКАЗЧИКА

ЛИНИЯ ОТБОРА/ВОЗВРАТА

- L1 ВХОД ПРОБЫ (цифры оставляем)
- L2 ВЫХОД ПРОБЫ
- L3 ДРЕНАЖ, НА АТМОСФЕРУ

КАБЕЛЬ

- C1 АНАЛОГОВЫЙ ВЫХОД
- C2 РЕЛЕЙНЫЕ ВЫХОДЫ (СИГНАЛИЗАЦИЯ)
- C3 ИНТЕРФЕЙС RS-485

ЭЛЕКТРОПИТАНИЕ


P1 СЕТЬ, 240 В 50/60 Гц, 150 Вт

КОНФИГУРАЦИЯ СИСТЕМЫ

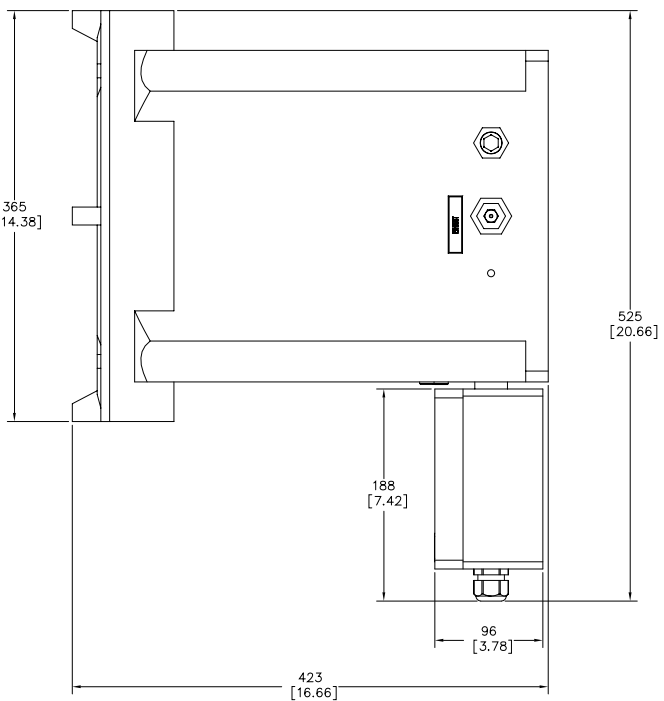
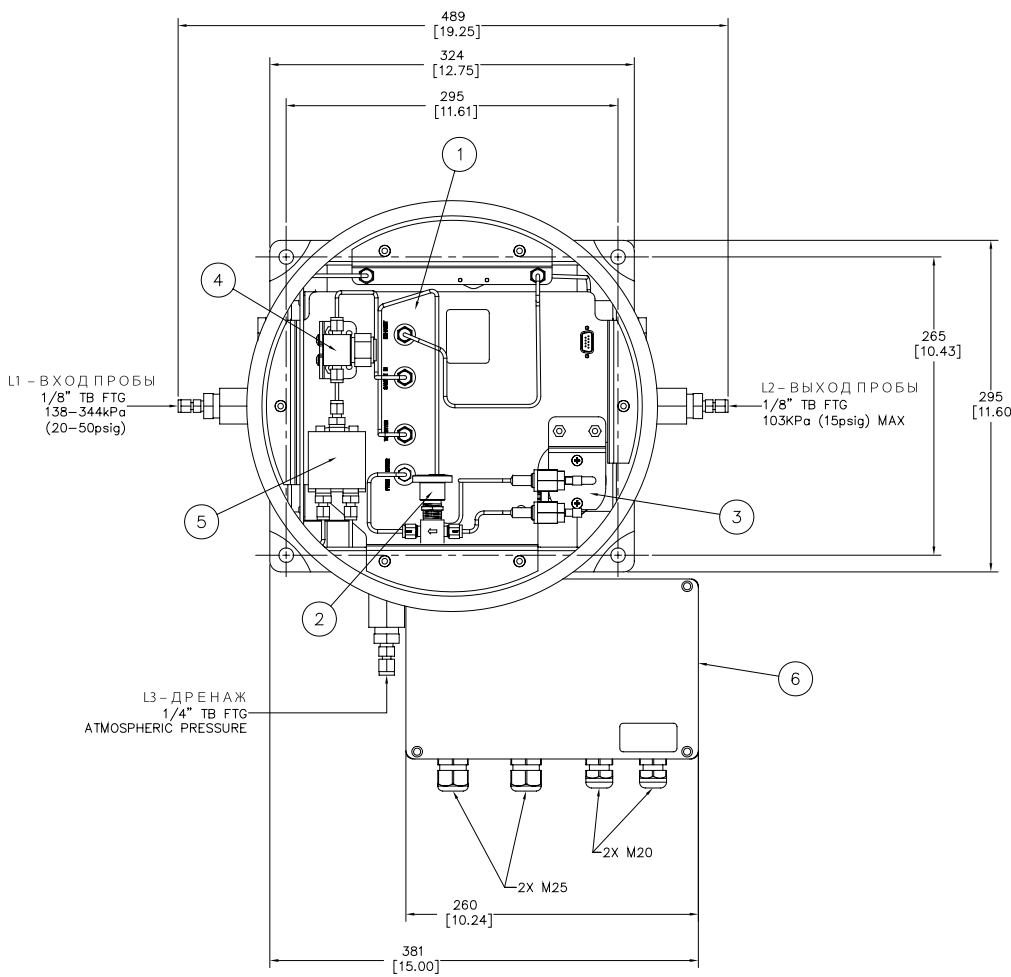
ГЕНЕРАТОР ВЛАЖНОСТИ: 50 PPMV
СЕПАРАТОР ГАЗ/ЖИДКОСТЬ

МАРКИРОВКА

ATEX II2G EEx de IICT6

A		ORIGINAL ISSUE/AS BUILT		02/27/07	JMS
REV	DESCRIPTION			DATE	DRAWN
<small>WARNING: ANY DEVIATION FROM THE RECOMMENDED INSTALLATION PRACTICES SHOWN ON THIS SALES ORDER MUST BE APPROVED IN WRITING BY AMETEK P&AI DIVISION, SUCH DEVIATION MAY VOID SYSTEMS WARRANTY.</small>					
DRAWN:	JMS	02/27/07	 AMETEK PROCESS & ANALYTICAL INSTRUMENTS DIV. NEWARK, DE 19702		
APPROVED:	JJH	02/28/07			
APPROVED:	NYS	02/28/07			
P.O.: D3004-AS-35-GPR/06					
J.O.: 141951					
S/N: 305B800					
TAG: N/A					
SCALE: NONE		SHEET: 1 OF 1			
<input checked="" type="checkbox"/> FOR INFORMATION <input type="checkbox"/> FOR APPROVAL <input type="checkbox"/> FINAL "AS-BUILT"		PRODUCT LINE MOISTURE		SIZE A3	DRAWING NO. 141951-1
				REV. A	FILE NAME: 141951-1.DWG

No	P/N	K-60	ОПИСАНИЕ
1	305521901	1	АНАЛИЗАТОР 3050-OLV
2	269895002	1	ОТСЕЧНОЙ КРАН ОСУШИТЕЛЯ
3	305400901S	1	ОСУШИТЕЛЬ
4	305448902S	1	ФИЛЬТР 2 мкм
5	305412901	1	СЕПАРАТОР ГАЗ/ЖИДКОСТЬ
6	305420901	1	КЛЕММНАЯ КОРОБКА

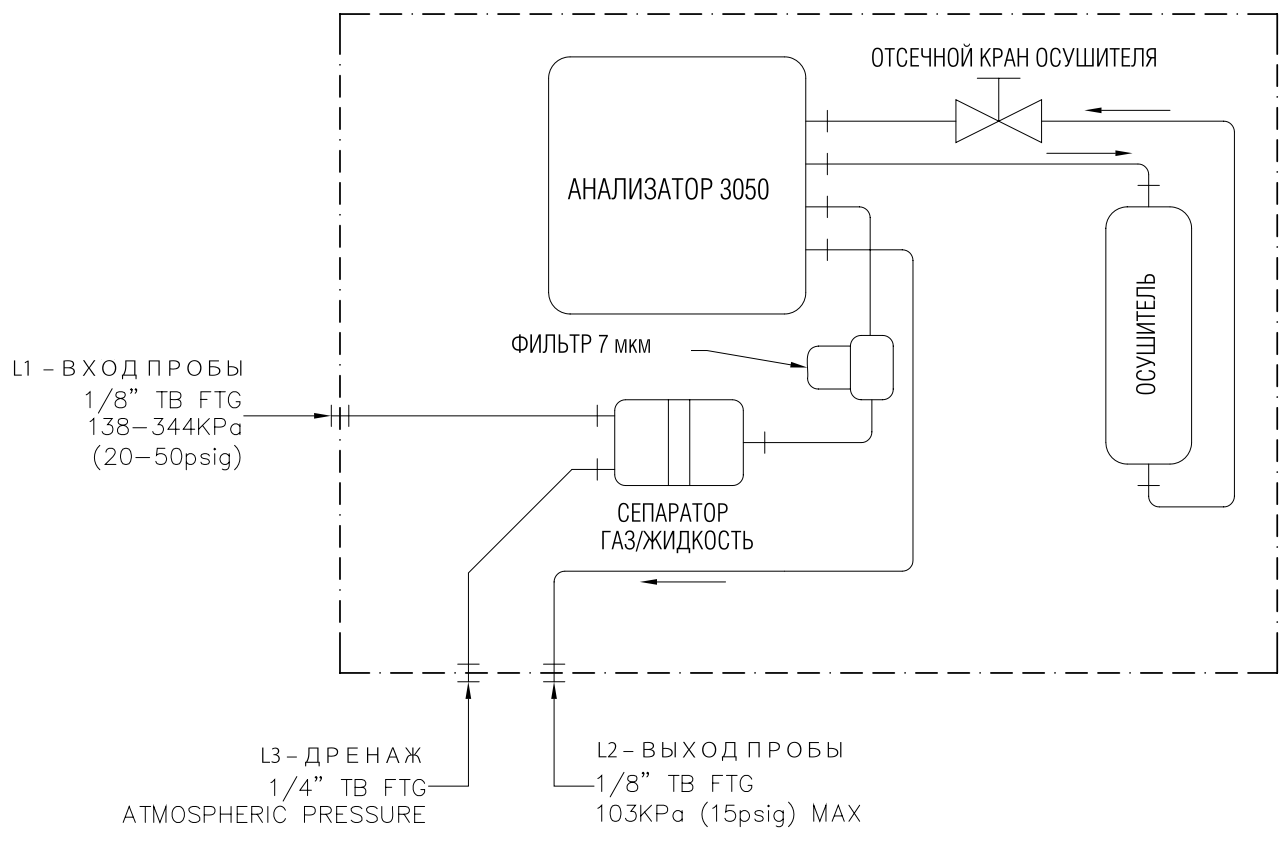


- NOTES:
1. XXX DIMENSIONS ARE mm, [XXX] DIMENSIONS ARE INCHES.
 2. FRONT VIEW SHOWN WITH LID REMOVED.
 3. ENCLOSURE MATERIAL: CAST ALUMINUM
 4. ELECTRICAL CLASS: ATEX EEx d,е IIC T6

A		ORIGINAL ISSUE/AS BUILT		02/27/07	JMS
REV	DESCRIPTION	DATE	DRAWN		
<small>WARNING: ANY DEVIATION FROM THE RECOMMENDED INSTALLATION PRACTICES SHOWN ON THIS SALES ORDER MUST BE APPROVED IN WRITING BY AMETEK P&AI DIVISION, SUCH DEVIATION MAY VOID SYSTEMS WARRANTY.</small>					
DRAWN:	JMS	02/27/07	 AMETEK PROCESS & ANALYTICAL INSTRUMENTS DIV. NEWARK, DE 19702		
APPROVED:	JJH	02/28/07			
APPROVED:	NYS	02/28/07			
P.O.: D3004-AS-35-GPR/06					
J.O.: 141951					
S/N: 305B800					
TAG: N/A					
SCALE: NONE		SHEET: 1 OF 1			
<input checked="" type="checkbox"/> FOR INFORMATION	PRODUCT LINE	SIZE	DRAWING NO.	REV.	
<input type="checkbox"/> FOR APPROVAL	MOISTURE	A3	141951-2	A	
<input type="checkbox"/> FINAL "AS-BUILT"		FILE NAME: 141951-2.DWG			

4 3 2 1

B
A



A		ORIGINAL ISSUE/AS BUILT		02/27/07	JMS
REV	DESCRIPTION			DATE	DRAWN
<small>WARNING: ANY DEVIATION FROM THE RECOMMENDED INSTALLATION PRACTICES SHOWN ON THIS SALES ORDER MUST BE APPROVED IN WRITING BY AMETEK P&AI DIVISION, SUCH DEVIATION MAY VOID SYSTEMS WARRANTY.</small>					
DRAWN:	JMS	02/27/07	 <small>AMETEK PROCESS & ANALYTICAL INSTRUMENTS DIV. NEWARK, DE 19702</small>		
APPROVED:	JJH	02/28/07			
APPROVED:	NYS	02/28/07			
P.O.: D3004-AS-35-GPR/06					
J.O.: 141951					
S/N: 305B800					
TAG: N/A					
SCALE: NONE		SHEET: 1 OF 1			
<input checked="" type="checkbox"/> FOR INFORMATION	PRODUCT LINE		SIZE	DRAWING NO.	REV.
<input type="checkbox"/> FOR APPROVAL	MOISTURE		A3	141951-3	A
<input type="checkbox"/> FINAL "AS-BUILT"	FILE NAME: 141951-3.DWG				

4 3 2 1

4

3

2

1

ZONE 1 КЛЕММНАЯ КОРОБКА

TB4

PE	GND	PE
29	○	29
29	○	29
28	○	28
28	○	28
25	○	25
25	○	25
24	○	24
24	○	24
PE	GND	PE
PE	GND	PE
12		12
11		11
10		10
9		9
8		8
7		7
6		6
5		5
4		4
3		3
2		2
1		1
PE	GND	PE
PE	GND	PE
N	○	N
N	○	N
20	○	20
20	○	20
L1	○	L1
L1	○	L1
L1	○	L1
PE	GND	PE

C3, ИНТЕРФЕЙС RS-485
 C3, RS-485 COMMUNICATION SIGNAL
 4 WIRE, 0.50² (22AWG) SHLD
 SEE NOTES 6-8

C2, РЕЛЕЙНЫЕ ВЫХОДЫ
 2 WIRE, 0.75mm² (20AWG) SHLD
 SEE NOTES 6 & 7

C1, АНАЛОГОВЫЙ ВЫХОД
 2 WIRE, 0.75mm² (20AWG) SHLD
 SEE NOTES 6 & 7

P1, ЭЛЕКТРОПИТАНИЕ
 240VAC, 50/60Hz, 150W
 SEE NOTES 1, 2, 4 & 5

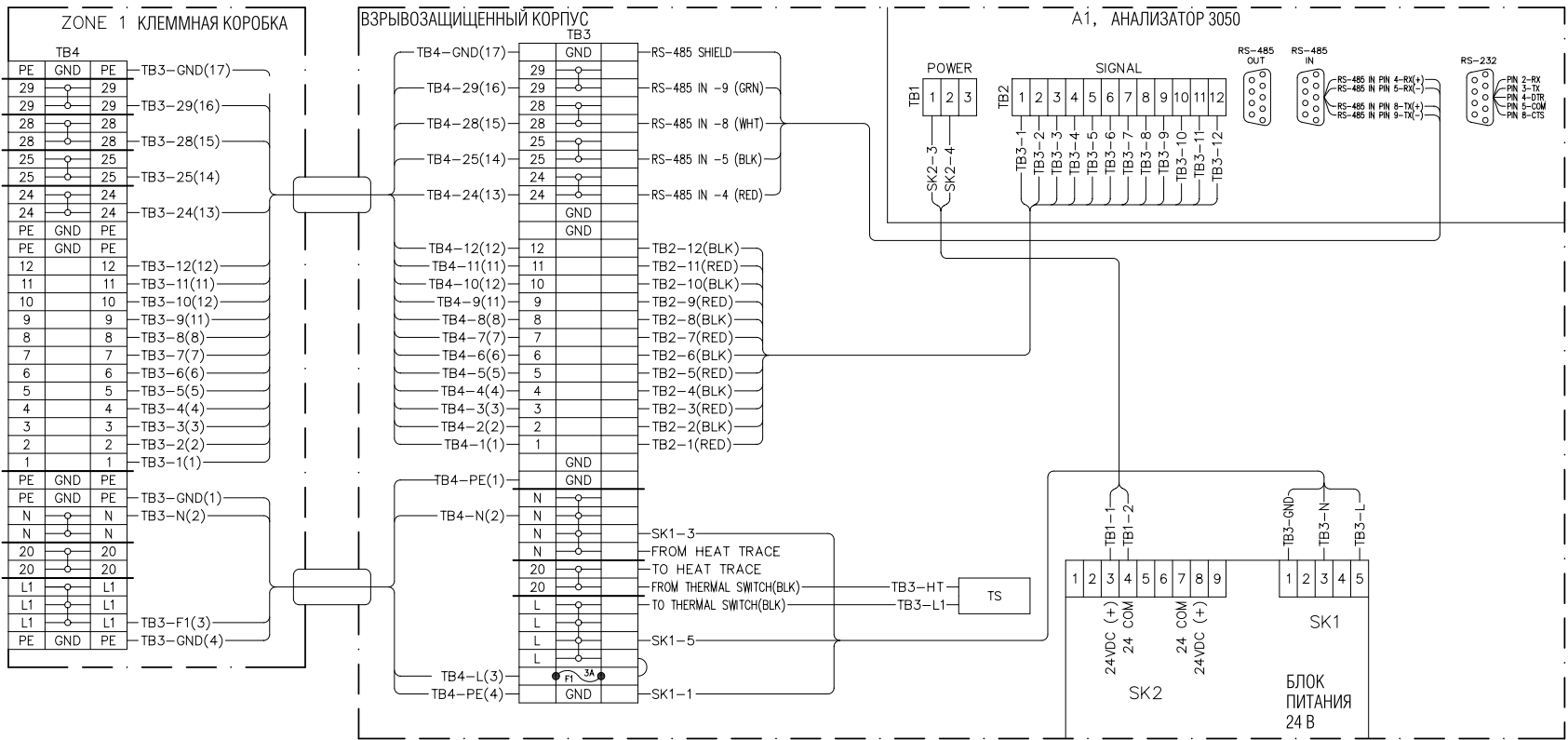
NOTES:

1. WARNING: BEFORE APPLYING POWER, VERIFY VOLTAGE REQUIREMENTS. POWER APPLIED TO INCORRECT TERMINALS CAN DAMAGE EQUIPMENT OR CREATE A SAFETY HAZARD.
2. ALL POWER INPUT CONNECTIONS ARE TO BE FROM CUSTOMER SUPPLIED DISCONNECT SWITCH.
3. INTERCONNECTING CABLES ARE TO BE SUPPLIED AND INSTALLED BY CUSTOMER, UNLESS OTHERWISE SPECIFIED ON SALES ORDER.
4. POWER AND SIGNAL CABLES SHOULD BE RUN IN SEPARATE CONDUITS.
5. POWER STATED IS ACTUAL LOAD FOR CIRCUIT. SIZE CIRCUIT BREAKER, DISCONNECT SWITCH, AND WIRE GAUGE ACCORDING TO NEC OR LOCAL CODES FOR CUSTOMER SPECIFIC INSTALLATION.
6. GROUND CABLE SHIELDS AT BOTH ENDS TO GROUND STUDS, GROUND TERMINALS, OR GROUNDING RINGS. KEEP SHIELD WIRE LESS THAN 2" LONG.
7. 100% FOIL, ARMOR CAN BE SUBSTITUTED, IS REQUIRED.
8. FOR DAISY CHAINING INSTRUCTIONS, PLEASE REFER TO THE INSTALLATION SECTION OF THE MANUAL.

A		ORIGINAL ISSUE/AS BUILT		02/27/07	JMS
REV	DESCRIPTION			DATE	DRAWN
WARNING: ANY DEVIATION FROM THE RECOMMENDED INSTALLATION PRACTICES SHOWN ON THIS SALES ORDER MUST BE APPROVED IN WRITING BY AMETEK P&AI DIVISION, SUCH DEVIATION MAY VOID SYSTEMS WARRANTY.					
DRAWN:	JMS	02/27/07			
APPROVED:	JH	02/28/07			
APPROVED:	NYS	02/28/07			
P.O.: 05004-AS-35-GPR/06					
J.O.: 141951					
S/N: 305B800					
TAG: N/A					
SCALE: NONE SHEET: 1 OF 1					
<input checked="" type="checkbox"/> FOR INFORMATION		PRODUCT LINE		SIZE	DRAWING NO.
<input type="checkbox"/> FOR APPROVAL		MOISTURE		A3	141951-4
<input type="checkbox"/> FINAL "AS-BUILT"					REV. A
FILE NAME: 141951-4.DWG					



ARTVIK/ 3050 - OLV ATEX
 СХЕМА ВНЕШНИХ ПОДКЛЮЧЕНИЙ



No	P/N	K-BO	ОПИСАНИЕ
A1	305521901	1	АНАЛИЗАТОР 3050-OLV
F1	271081001	1	ПРЕДОХРАНИТЕЛЬ
P1	230539001	1	БЛОК ПИТАНИЯ 24 В
PV	271346001	1	СОЛЕНОИДНЫЙ КЛАПАН
TS	305629901	1	ТЕРМОПРЕДОХРАНИТЕЛЬ

REV	DESCRIPTION	DATE	DRAWN
A	ORIGINAL ISSUE/AS BUILT	02/27/07	JMS
REV	DESCRIPTION	DATE	DRAWN
<small>WARNING: ANY DEVIATION FROM THE RECOMMENDED INSTALLATION PRACTICES SHOWN ON THIS SALES ORDER MUST BE APPROVED IN WRITING BY AMETEK P&AI DIVISION. SUCH DEVIATION MAY VOID SYSTEMS WARRANTY.</small>			
DRAWN:	JMS	02/27/07	
APPROVED:	JJH	02/28/07	
APPROVED:	NYS	02/28/07	
<small>P.O.: D3004-AS-35-GPR/06</small>			
<small>J.O.: 141951</small>			
<small>S/N: 305B800</small>			
<small>TAG: N/A</small>			
<small>SCALE: NONE SHEET: 1 OF 1</small>			
<input checked="" type="checkbox"/> FOR INFORMATION <input type="checkbox"/> FOR APPROVAL <input type="checkbox"/> FINAL "AS-BUILT"		PRODUCT LINE MOISTURE	SIZE A3
		DRAWING NO. 141951-5	REV. A
<small>FILE NAME: 141951-5.DWG</small>			

AMETEK
 PROCESS & ANALYTICAL INSTRUMENTS DIVISION
 ARTVIK/ 3050 – OLV ATEX
 СХЕМА ВНЕШНИХ ПОДКЛЮЧЕНИЙ