

		NO.	A-14662-1
--	--	-----	-----------

## PUMP PERFORMANCE CURVES

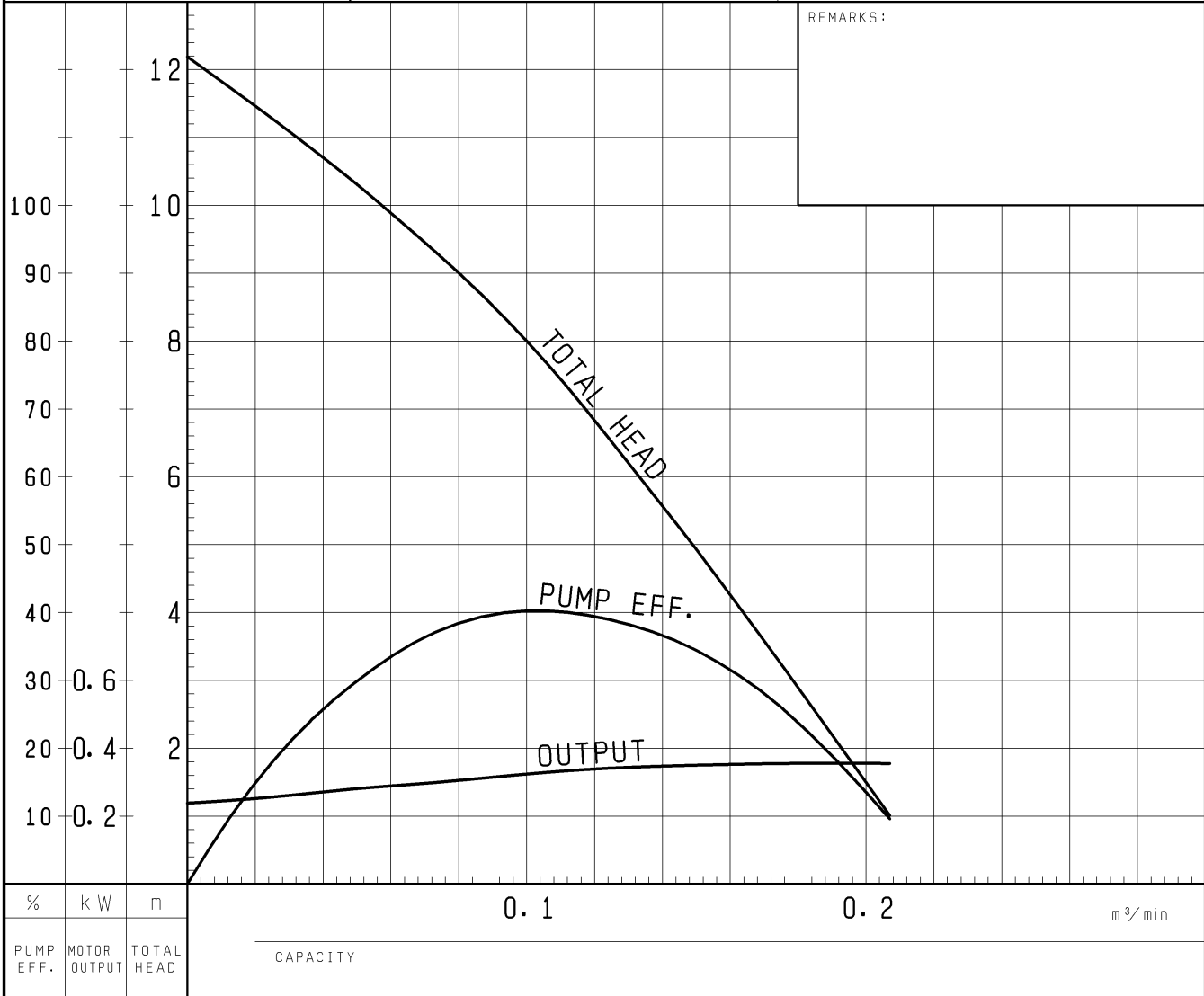
TYPE Submersible General Dewatering Vortex Pump	MODEL HS2.4S -53 HSZ2.4S -53	FREQUENCY 50 Hz
---	------------------------------------	--------------------

CUSTOMER'S NAME \_\_\_\_\_

EQUIPMENT TITLE \_\_\_\_\_

NO. \_\_\_\_\_

	STANDARD SPECIFICATIONS	REQUIRED SPECIFICATIONS
DISCHARGE BORE	50 mm	mm
TOTAL HEAD	8 m	m
CAPACITY	0.1 m <sup>3</sup> /min	m <sup>3</sup> /min
MOTOR OUTPUT	0.4 kW	kW
PHASE x VOLTAGE	1 $\phi$ x V	$\phi$ x V
CURRENT	A	A
POLES / REVOLUTION	2 P / s. s. 3000 min <sup>-1</sup>	P / min <sup>-1</sup>
STARTING METHOD	CAPACITOR MOTOR	
INSULATION CLASS	E	

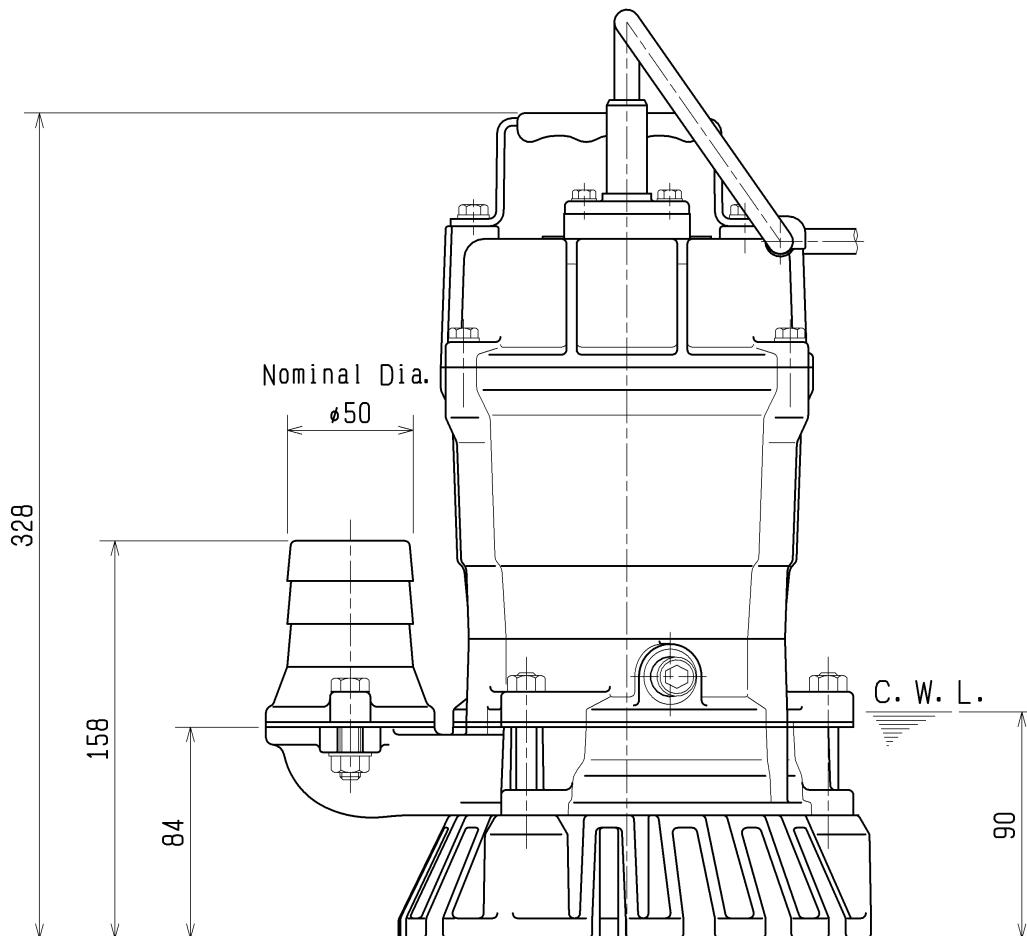
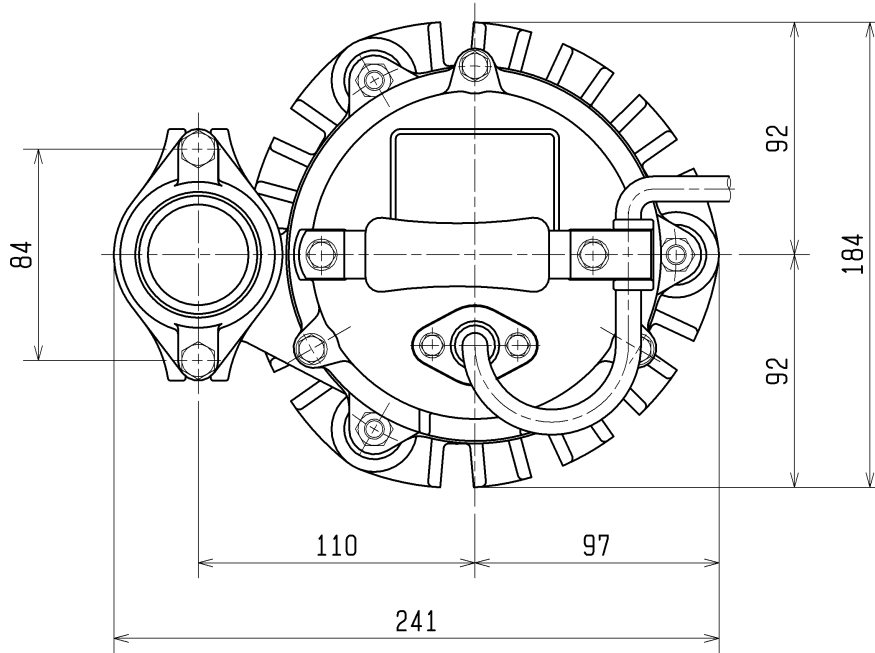


**TSURUMI MFG. CO., LTD.**

<b>DIMENSION DRAWING</b>		No.	No. A-09152-2
TYPE	Submersible General Dewatering Vortex Pump	MODEL	HS2.4S -53/63

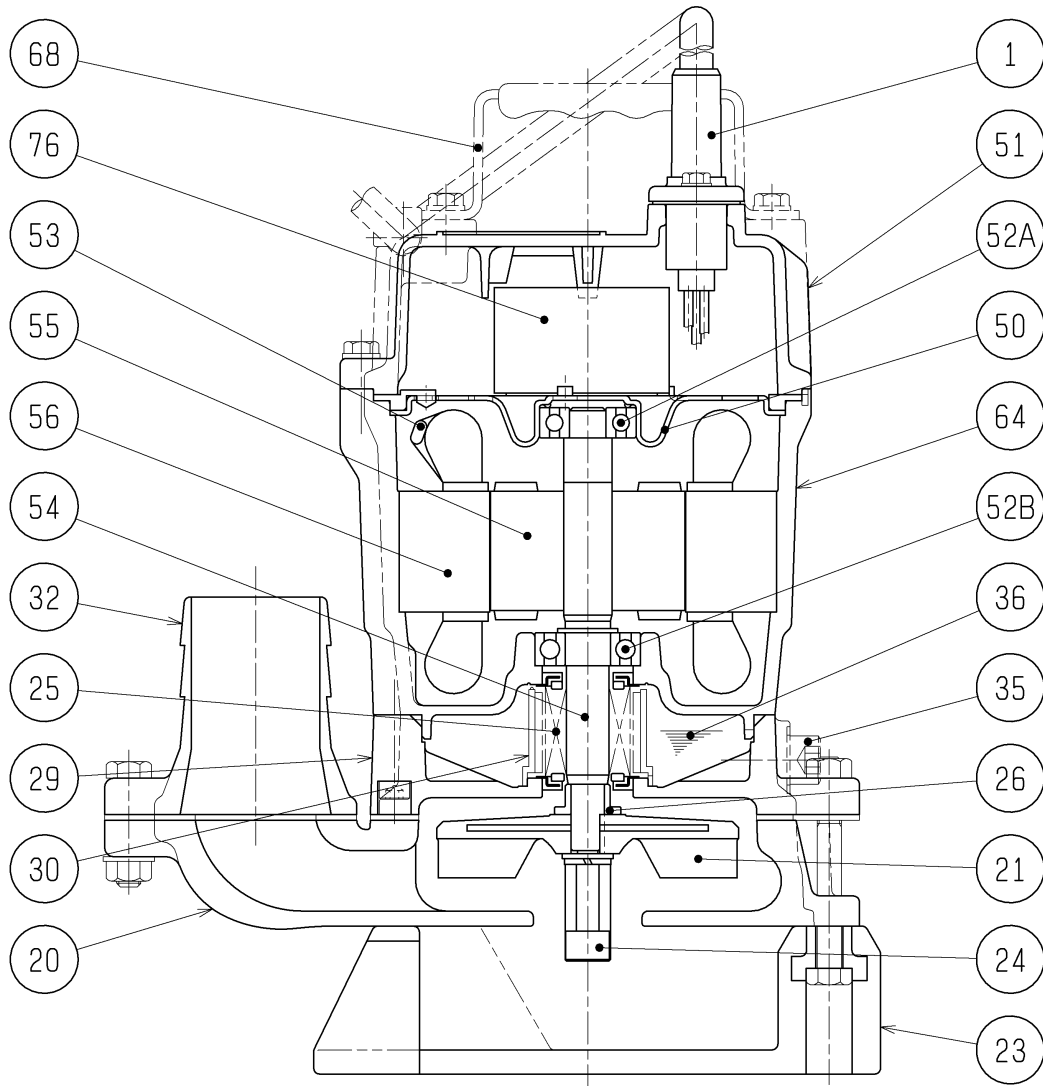
Approximate Weight (※)
11.3kg

※excluding cable



C.W.L. :Continuous running Water Level

<b>SECTIONAL DRAWING</b>		No.	No.	A-09153-6
TYPE	Submersible General Dewatering Vortex Pump	MODEL	HS2.4S -53/63	



REQ. SPECIFICATION	
-----	
-----	

No.	DESCRIPTION	Q'TY	MATERIAL / NOTE	No.	DESCRIPTION	Q'TY	MATERIAL / NOTE
1	Cable	1	PVC Sheath	52A	Upper Bearing	1	6201ZC3
20	Pump Casing	1	Gray Iron Casting	52B	Lower Bearing	1	6202ZC3
21	Impeller	1	Urethane Rubber	53	Motor Protector	1	
23	Strainer Stand	1	Vinyl Chloride	54	Shaft	1	Stainless Steel 403
24	Stirrer	1	Sintered Alloy	55	Rotor	1	
25	Mechanical Seal	1	W-14VCA	56	Stator	1	
29	Oil Casing	1	Gray Iron Casting	64	Motor Frame	1	Aluminium Die Casting
30	Oil Lifter	1	Plastic	68	Handle	1	Steel Sheet & Natural Rubber
32	Hose Coupling	1	Aluminium Die Casting	71	Shaft Sleeve	1	Stainless Steel 304
35	Oil Plug	1	Stainless Steel 304	76	Capacitor	1	
36	Lubricant		Turbine Oil (ISO VG32)				
50	Motor Bracket	1	Steel Sheet				
51	Motor Head Cover	1	Aluminium Die Casting				