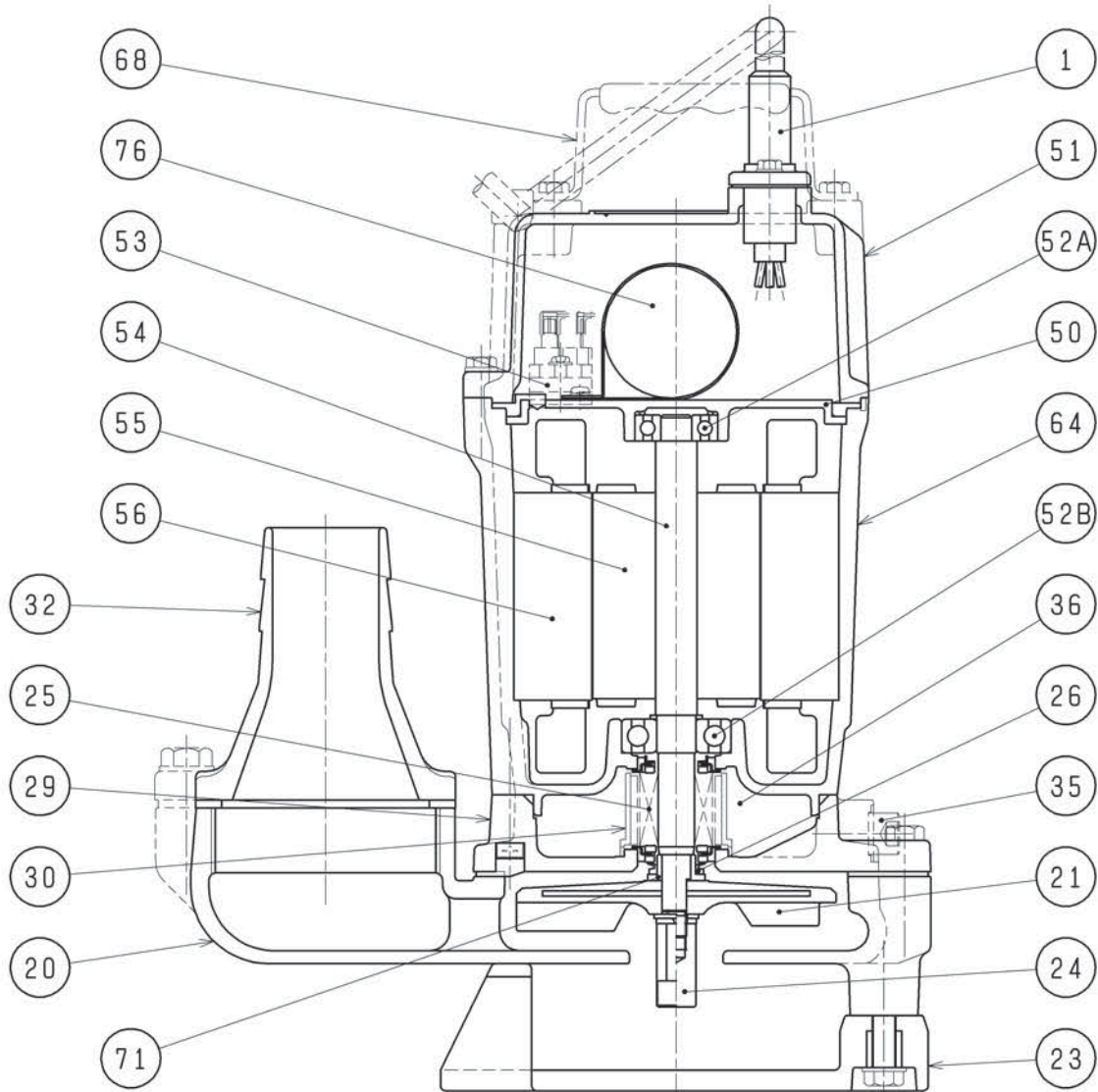


SECTIONAL DRAWING		No.	No. A-15030-1
TYPE	Submersible General Dewatering Vortex Pump	MODEL	HS2.75 -51/61



REQ. SPECIFICATION	

No.	DESCRIPTION	QTY	MATERIAL / NOTE	No.	DESCRIPTION	QTY	MATERIAL / NOTE
1	Cabtyre Cable	1	PVC Sheath	51	Motor Head Cover	1	Aluminium Die Casting
20	Pump Casing	1	Ductile Iron Casting	52A	Upper Bearing	1	6201ZZC3
21	Impeller	1	Urethane Rubber	52B	Lower Bearing	1	6302ZZC3
23	Strainer Stand	1	Vinyl Chloride	53	Motor Protector	1	
24	Stirrer	1	Sintered Alloy	54	Shaft	1	Stainless Steel 403
25	Mechanical Seal	1	W-14VC	55	Rotor	1	
26	V-ring	1	Nitrile Butadien Rubber	56	Stator	1	
29	Oil Casing	1	Ductile Iron Casting	64	Motor Frame	1	Aluminium Die Casting
30	Oil Lifter	1	Plastic	68	Handle	1	Steel Sheet & Natural Rubber
32	Hose Coupling	1	Aluminium Die Casting	71	Shaft Sleeve	1	Stainless Steel 304
35	Oil Plug	1	Stainless Steel 304	76	Capacitor	1	
36	Lubricant		Turbine Oil (ISO VG32)				
50	Motor Bracket	1	Aluminium Die Casting				