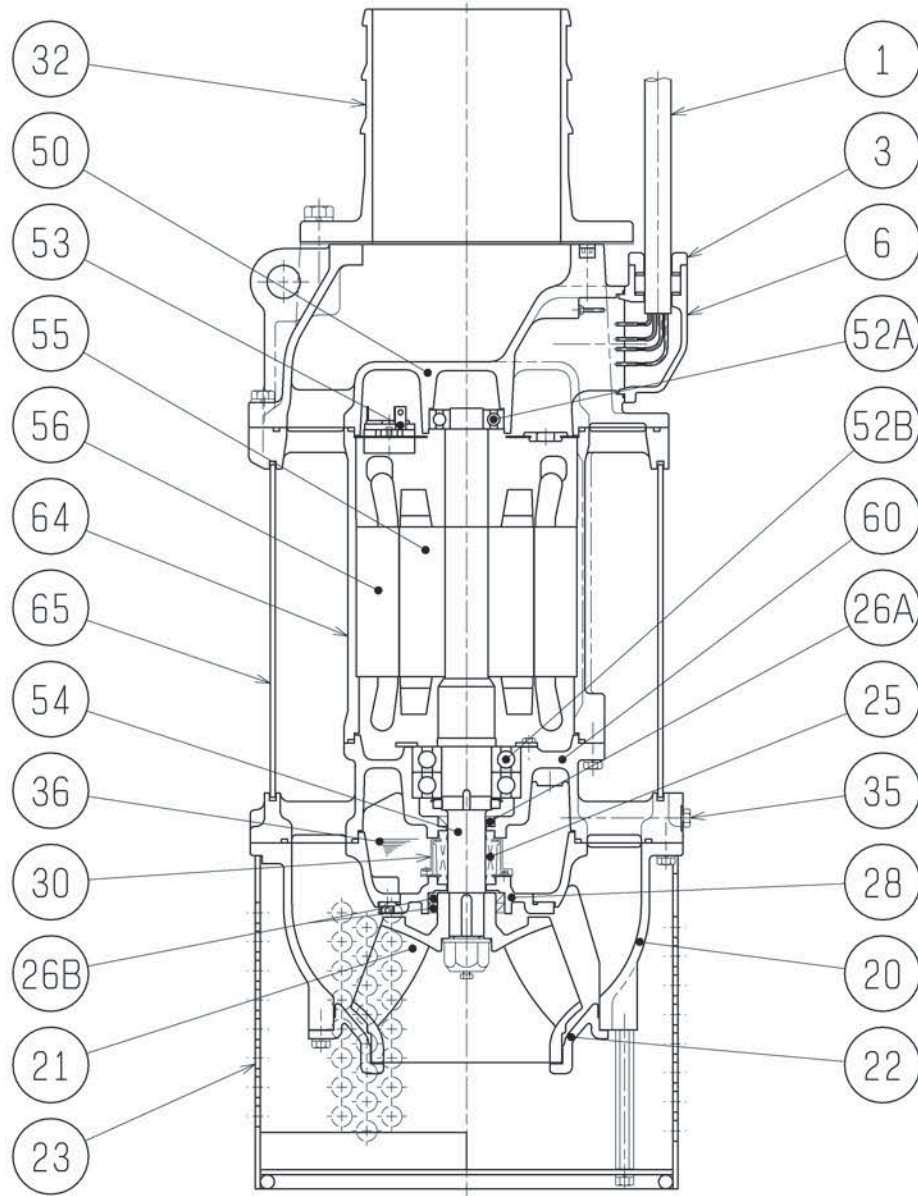


SECTIONAL DRAWING		No.	No.
TYPE SUBMERSIBLE GENERAL DEWATERING PUMP		MODEL KRS1022 -51/61	
		No. A-20757-1	



REQ. SPECIFICATION

No.	DESCRIPTION	QTY	MATERIAL / NOTE	No.	DESCRIPTION	QTY	MATERIAL / NOTE
1	Cabtyre Cable	1	Chloroprene Sheath	36	Lubricant		Turbine Oil (ISO VG32)
3	Gland	1	Gray Iron Casting	50	Motor Bracket	1	Gray Iron Casting
6	Stuffing Box	1	Gray Iron Casting	52A	Upper Bearing	1	6308ZZC3
20	Pump Casing	1	Gray Iron Casting	52B	Lower Bearing	1	6312ZZD2C3
21	Impeller	1	Ductile Iron Casting	53	Motor Protector	1	
22	Suction Cover	1	Gray Iron Casting	54	Shaft	1	Stainless Steel 420J2
23	Strainer Stand	1	Structure Steel	55	Rotor	1	
25	Mechanical Seal	1	H-45	56	Stator	1	
26A	Oil Seal	1	TC456812	60	Bearing Housing	1	Gray Iron Casting
26B	Oil Seal	2	TC709212	64	Motor Flame	1	Gray Iron Casting
28	Seal Housing	1	Gray Iron Casting	65	Outer Cover	1	Structure Steel
30	Oil Lifter	1	Plastic				
32	Hose Coupling	1	Gray Iron Casting				
35	Oil Plug	3	Stainless Steel 304				