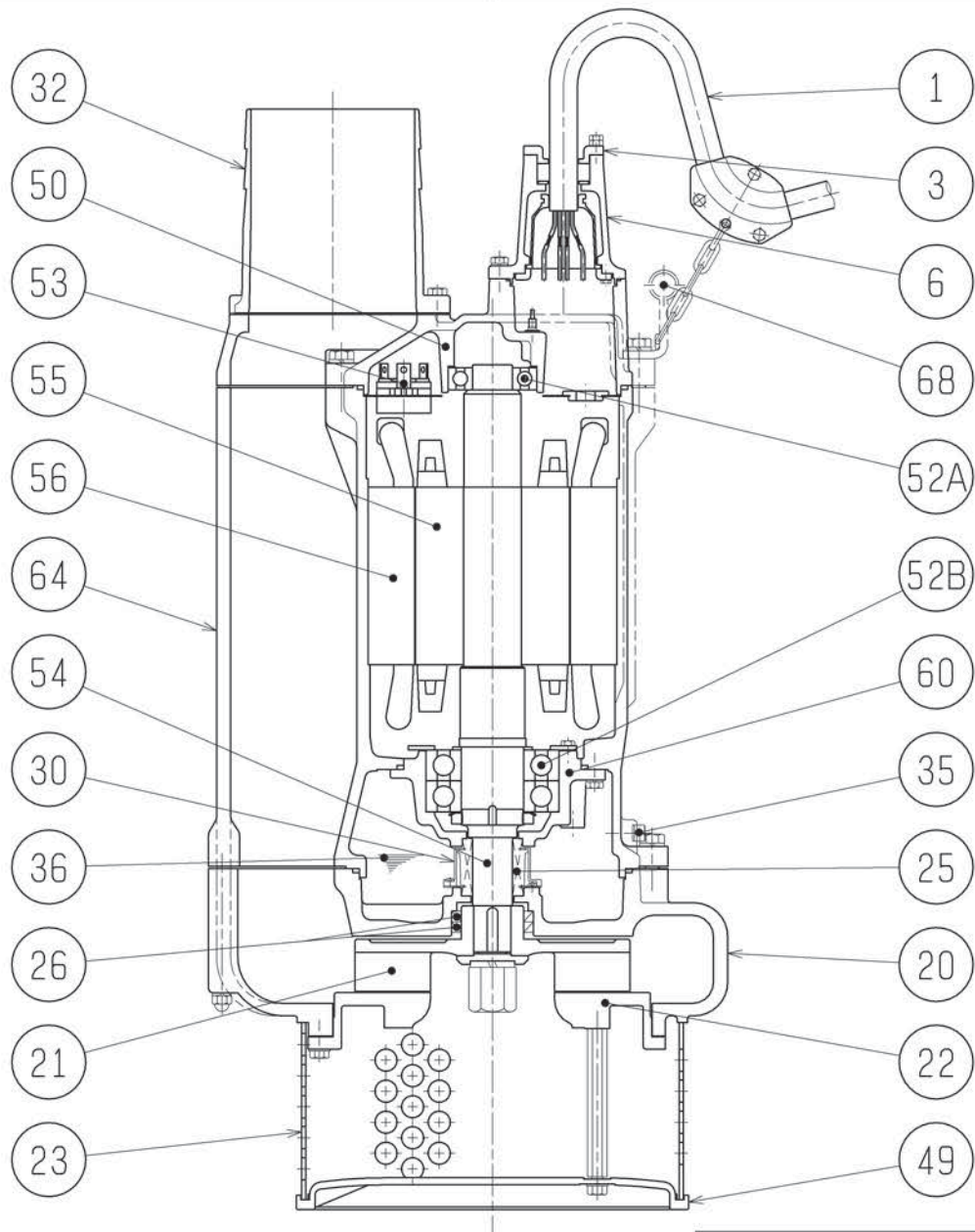


SECTIONAL DRAWING		No.	No.	A-20756-1
TYPE	SUBMERSIBLE GENERAL DEWATERING PUMP	MODEL	KRS819	-51/61
			KRS822	-51/61
			KRS822L	-51/61



REQ. SPECIFICATION	

No.	DESCRIPTION	QTY	MATERIAL / NOTE	No.	DESCRIPTION	QTY	MATERIAL / NOTE
1	Cabtyre Cable	1	Chloroprene Sheath	49	Bottom Plate	1	Ductile Iron Casting
3	Gland	1	Gray Iron Casting	50	Motor Bracket	1	Gray Iron Casting
6	Stuffing Box	1	Gray Iron Casting	52A	Upper Bearing	1	6309ZZC3
20	Pump Casing	1	Gray Iron Casting	52B	Lower Bearing	1	6314ZZD2C3
21	Impeller	1	Ductile Iron Casting	53	Motor Protector	1	
22	Suction Cover	1	Gray Iron Casting	54	Shaft	1	Stainless Steel 420J2
23	Strainer	1	Steel Sheet	55	Rotor	1	
25	Mechanical Seal	1	H-45	56	Stator	1	
26	Oil Seal	2	TC709212	60	Bearing Housing	1	Gray Iron Casting
30	Oil Lifter	1	Plastic	64	Motor Flame	1	Gray Iron Casting
32	Hose Coupling	1	Gray Iron Casting	68	Handle	1	Carbon Steel Pipe & Structure Steel
35	Oil Plug	2	Stainless Steel 304				
36	Lubricant		Turbine Oil (ISO VG32)				