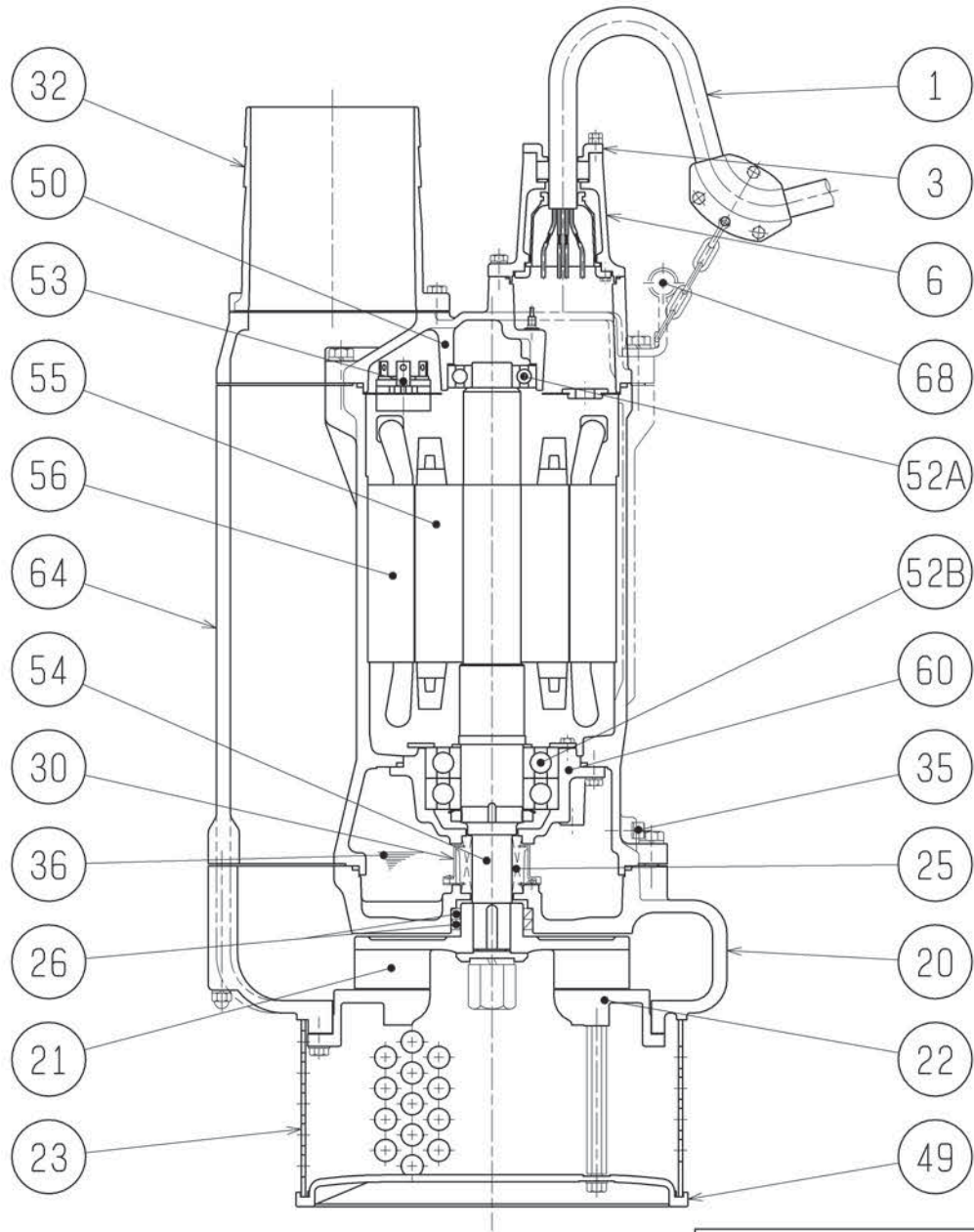


| | | | | |
|-------------------|-------------------------------------|-------|---------|-----------|
| SECTIONAL DRAWING | | No. | No. | A-20756-1 |
| TYPE | SUBMERSIBLE GENERAL DEWATERING PUMP | MODEL | KRS819 | -51/61 |
| | | | KRS822 | -51/61 |
| | | | KRS822L | -51/61 |



| |
|--------------------|
| REQ. SPECIFICATION |
| |
| |

| No. | DESCRIPTION | QTY | MATERIAL / NOTE | No. | DESCRIPTION | QTY | MATERIAL / NOTE |
|-----|-----------------|-----|------------------------|-----|-----------------|-----|-------------------------------------|
| 1 | Cabtyre Cable | 1 | Chloroprene Sheath | 49 | Bottom Plate | 1 | Ductile Iron Casting |
| 3 | Gland | 1 | Gray Iron Casting | 50 | Motor Bracket | 1 | Gray Iron Casting |
| 6 | Stuffing Box | 1 | Gray Iron Casting | 52A | Upper Bearing | 1 | 6309ZZC3 |
| 20 | Pump Casing | 1 | Gray Iron Casting | 52B | Lower Bearing | 1 | 6314ZZD2C3 |
| 21 | Impeller | 1 | Ductile Iron Casting | 53 | Motor Protector | 1 | |
| 22 | Suction Cover | 1 | Gray Iron Casting | 54 | Shaft | 1 | Stainless Steel 420J2 |
| 23 | Strainer | 1 | Steel Sheet | 55 | Rotor | 1 | |
| 25 | Mechanical Seal | 1 | H-45 | 56 | Stator | 1 | |
| 26 | Oil Seal | 2 | TC709212 | 60 | Bearing Housing | 1 | Gray Iron Casting |
| 30 | Oil Lifter | 1 | Plastic | 64 | Motor Flame | 1 | Gray Iron Casting |
| 32 | Hose Coupling | 1 | Gray Iron Casting | 68 | Handle | 1 | Carbon Steel Pipe & Structure Steel |
| 35 | Oil Plug | 2 | Stainless Steel 304 | | | | |
| 36 | Lubricant | | Turbine Oil (ISO VG32) | | | | |