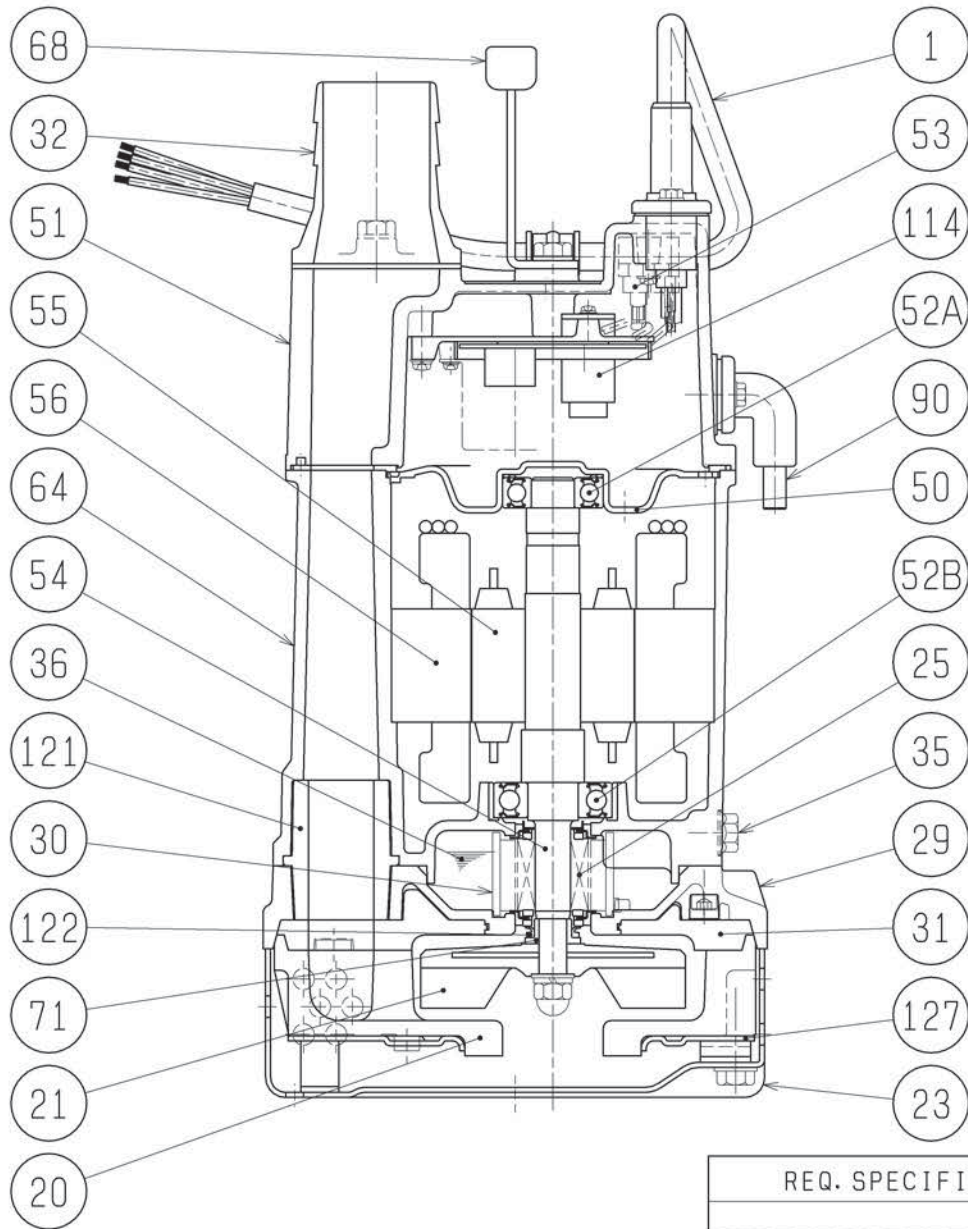


SECTIONAL DRAWING		No.	No.
TYPE SUBMERSIBLE GENERAL DEWATERING VORTEX PUMP		MODEL KTVE2.75 -50/60	
		No. A-05401-3	



REQ. SPECIFICATIONS	

No.	DESCRIPTION	QTY	MATERIAL/NOTE	No.	DESCRIPTION	QTY	MATERIAL/NOTE
1	Cabtyre Cable	1	PVC Sheath	53	Motor Protector	1	
20	Pump Casing	1	Butadiene Rubber + Natural Rubber	54	Shaft	1	Stainless Steel 420J2
21	Impeller	1	Urethane Rubber	55	Rotor	1	
23	Strainer Stand	1	Steel Sheet	56	Stator	1	
25	Mechanical Seal	1	W-14VC	64	Motor Frame	1	Aluminium Die Casting
29	Oil Casing	1	Aluminium Die Casting	68	Handle	1	Steel Sheet & Rubber
30	Oil Lifter	1	Plastic	71	Shaft Sleeve	1	Stainless Steel 304
31	Rear Liner	1	Butadiene Rubber	90	Level Sensor(Electrode)	1	
32	Hose Coupling	1	Aluminium Die Casting	114	Relay Unit	1	
35	Oil Plug	1	Stainless Steel 304	121	Packing	1	Styrene Butadiene Rubber
36	Lubricant		Turbine Oil (ISO VG32)	122	V-ring	1	Nitrile Butadiene Rubber
50	Motor Bracket	1	Steel Plate	127	Fittings	1	Steel Sheet
51	Head Cover	1	Aluminium Die Casting				
52A	Upper Bearing	1	6203ZZC3				
52B	Lower Bearing	1	6204ZZC3				