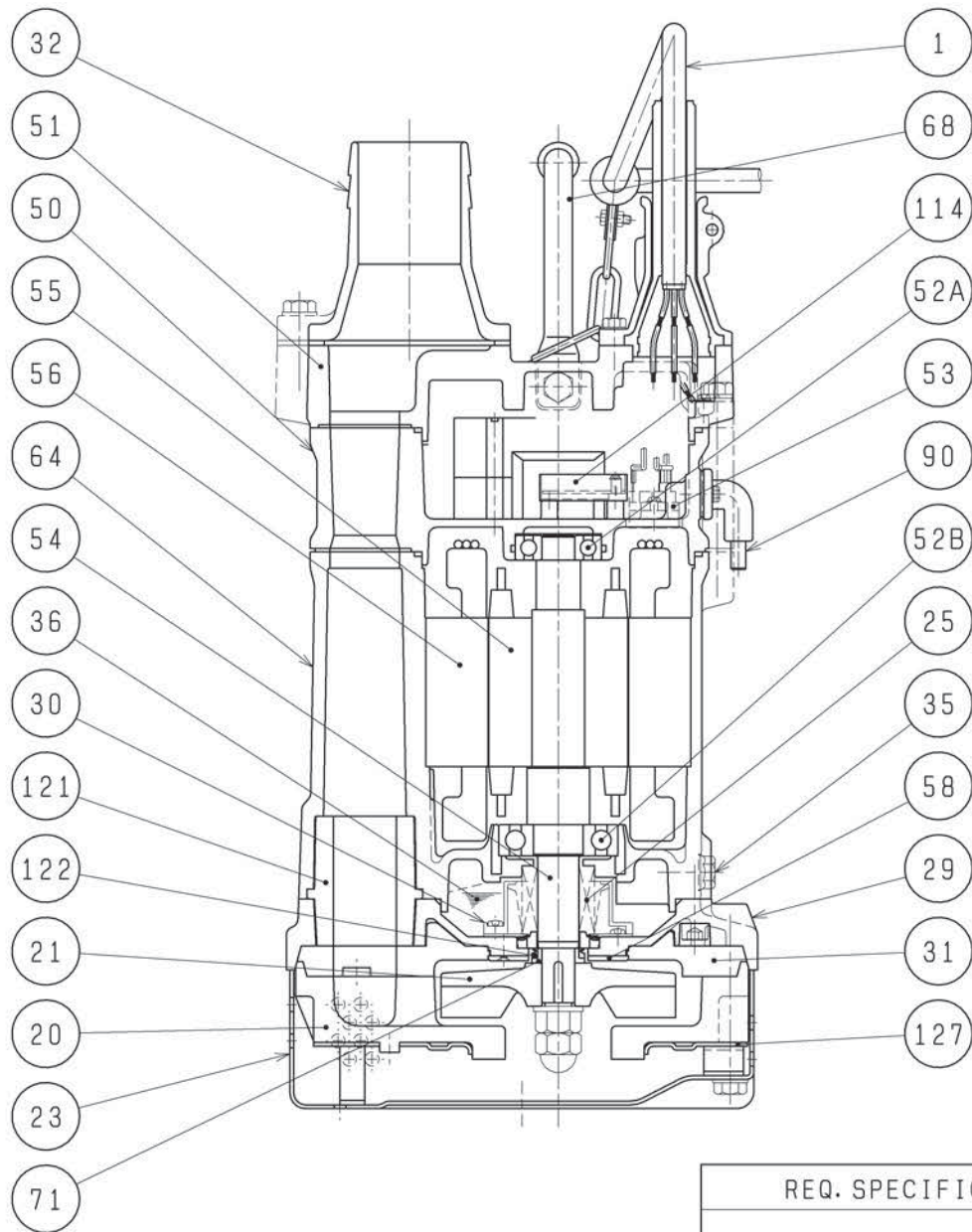


SECTIONAL DRAWING		No.	No.
TYPE SUBMERSIBLE GENERAL DEWATERING VORTEX PUMP		MODEL KTVE33.7 -50/60	
		No. A-05403-5	



REQ. SPECIFICATION	

No.	DESCRIPTION	QTY	MATERIAL / NOTE	No.	DESCRIPTION	QTY	MATERIAL / NOTE
1	Cable	1	Chloroprene Sheath	53	Motor Protector	1	
20	Pump Casing	1	Butadien Rubber + Natural Rubber	54	Shaft	1	Stainless Steel 403
21	Impeller	1	Ductile Iron Casting	55	Rotor	1	
23	Strainer Stand	1	Steel Sheet	56	Stator	1	
25	Mechanical Seal	1	H-25T	58	Protection Plate	1	Stainless Steel 304
29	Oil Casing	1	Aluminium Die Casting	64	Motor Frame	1	Aluminium Die Casting
30	Oil Lifter	1	Plastic	68	Handle	1	Carbon Steel Pipe & Rubber
31	Rear Liner	1	Butadien Rubber	71	Shaft Sleeve	1	Stainless Steel 304
32	Hose Coupling	1	Aluminium Die Casting	90	Level Sensor(Electrode)	1	
35	Oil Plug	1	Stainless Steel 304	114	Relay Unit	1	
36	Lubricant		Turbine Oil(ISO VG32)	121	Packing	1	Styrene Butadien Rubber
50	Motor Bracket	1	Aluminium Die Casting	122	V-ring	1	Nitrile Butadien Rubber
51	Head Cover	1	Aluminium Die Casting	127	Fittings	1	Steel Sheet
52A	Upper Bearing	1	6304ZZC3				
52B	Lower Bearing	1	6306ZZC3				