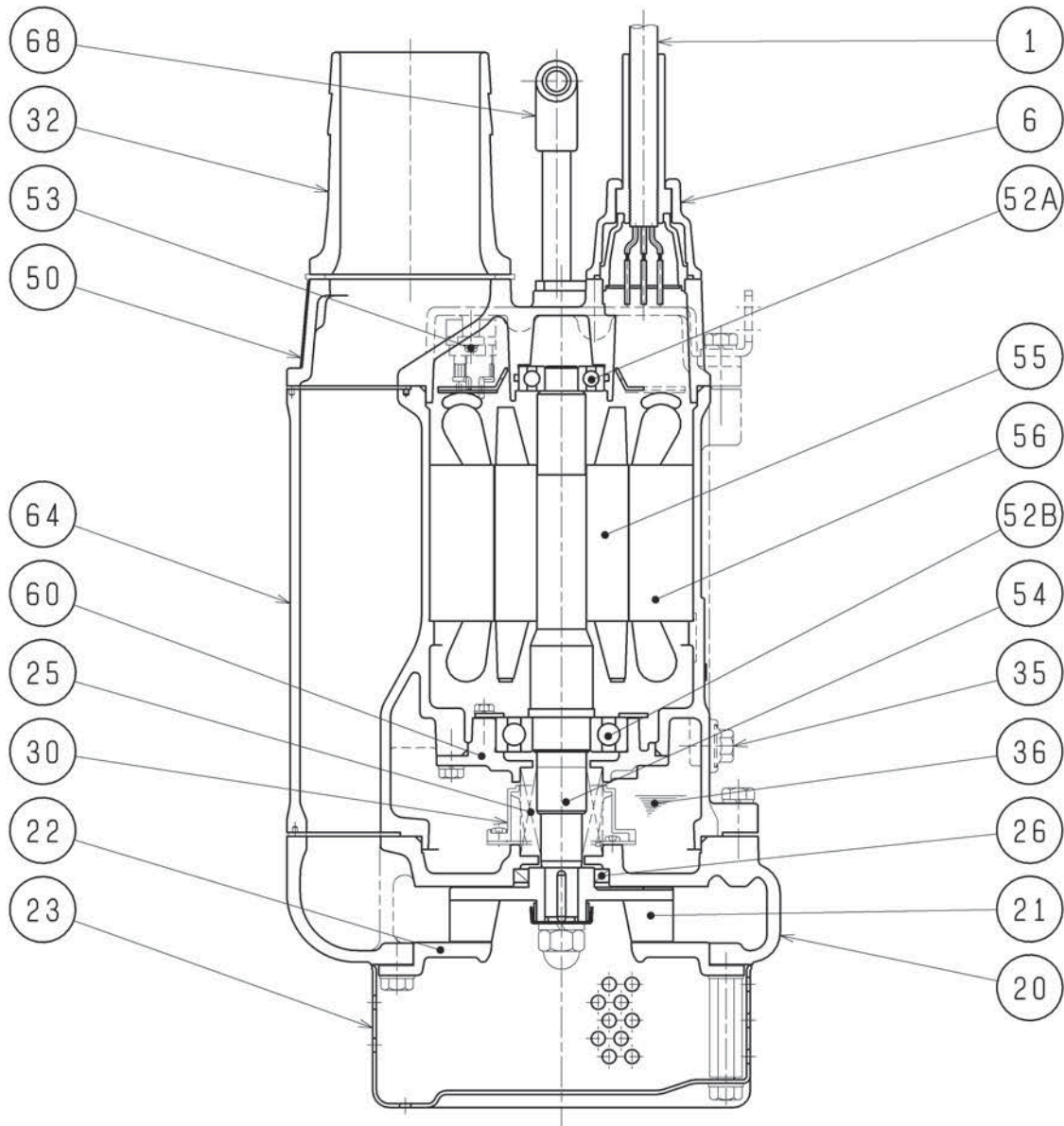


SECTIONAL DRAWING		No.	No. A-12102-4
TYPE	SUBMERSIBLE GENERAL DEWATERING PUMP	MODEL	KTZ23.7 -52/62, KTZ33.7 -52/62 KTZ43.7 -52/62



REQ. SPECIFICATION	

※ the wetted part

No.	DESCRIPTION	QTY	MATERIAL / NOTE	No.	DESCRIPTION	QTY	MATERIAL / NOTE
1	Cable	1	Chloroprene Sheath	52A	Upper Bearing	1	6304ZC3
6	Stuffing Box	1	Gray Iron Casting	52B	Lower Bearing	1	6307ZC3
20	Pump Casing	1	Gray Iron Casting	53	Motor Protector	1	
21	Impeller	1	Chromium Iron Casting	54	Shaft	1	Stainless Steel 420J2(※)
22	Suction Cover	1	Ductile Iron Casting	55	Rotor	1	
23	Strainer Stand	1	Steel Sheet	56	Stator	1	
25	Mechanical Seal	1	HT-2530N	60	Bearing Housing	1	Gray Iron Casting
26	Oil Seal	1	TC40588	64	Motor Frame	1	Gray Iron Casting
30	Oil Lifter	1	Plastic	68	Handle	1	Carbon Steel Pipe & Structure Steel
32	Hose Coupling	1	Aluminium Die Casting				
35	Oil Plug	1	Stainless Steel 304				
36	Lubricant		Turbine Oil (ISO VG32)				
50	Motor Bracket	1	Gray Iron Casting				