

PUMP PERFORMANCE CURVES

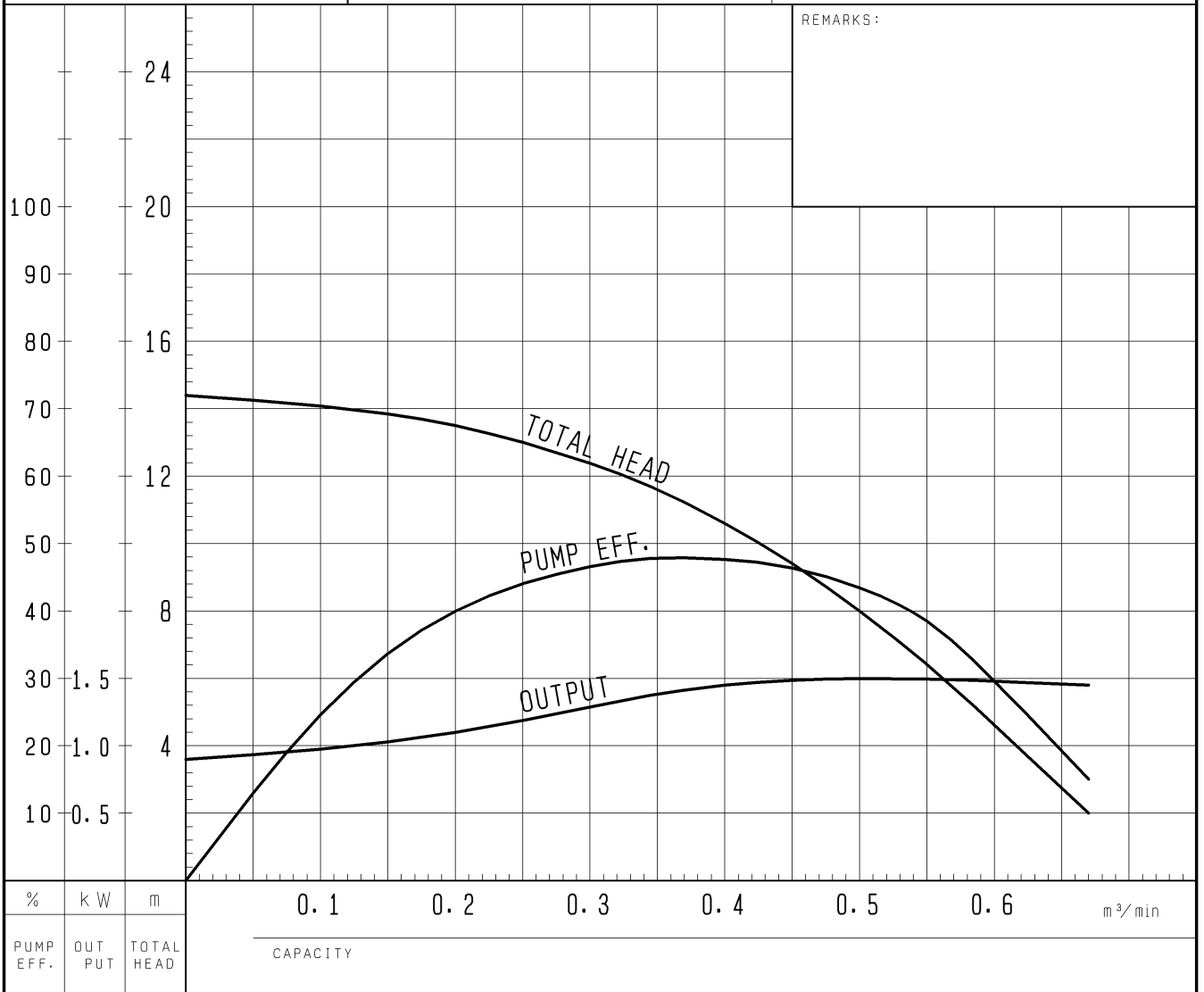
TYPE SUBMERSIBLE GENERAL DEWATERING PUMP	MODEL KTZ31.5 -51	FREQUENCY 50 Hz
---	----------------------	--------------------

CUSTOMER'S NAME _____

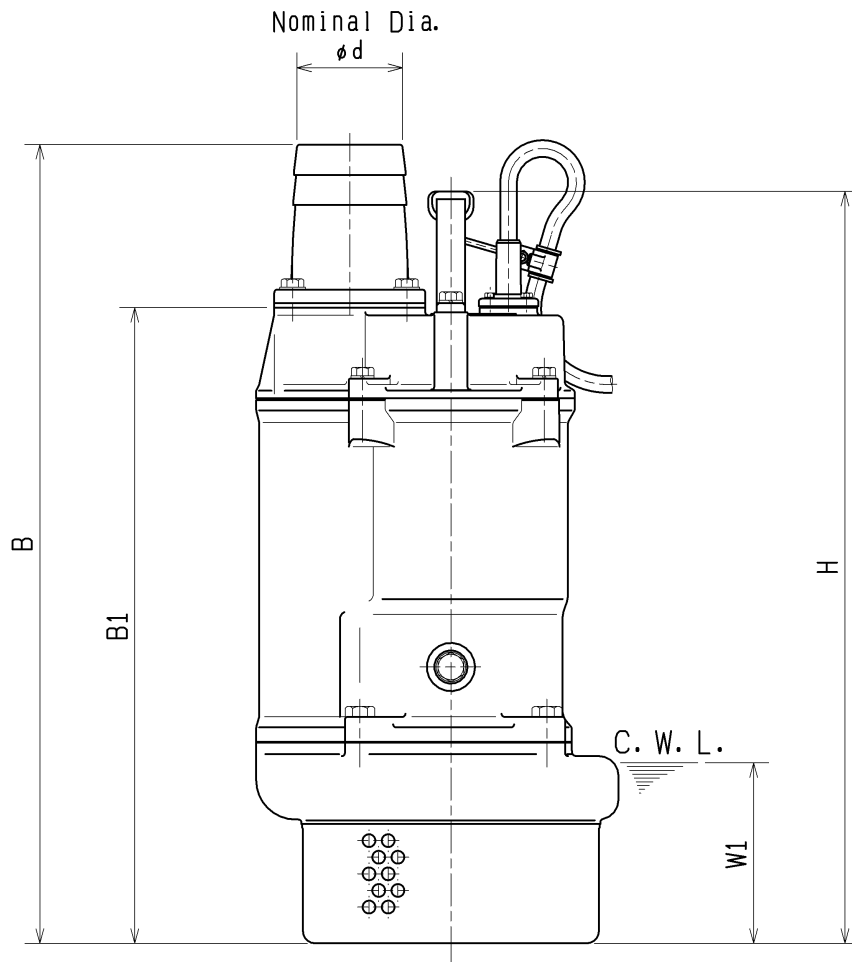
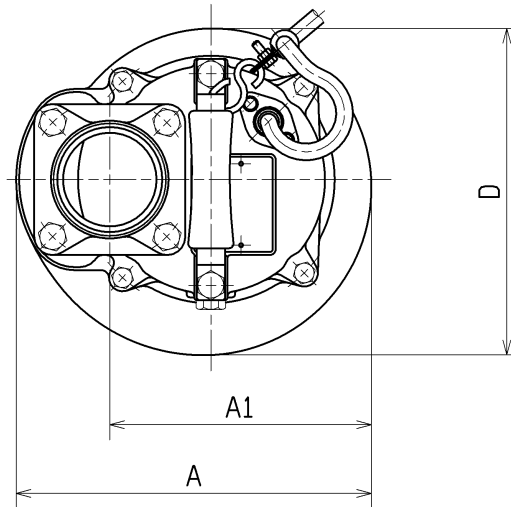
EQUIPMENT TITLE _____

NO. _____

	STANDARD SPECIFICATIONS	REQUIRED SPECIFICATIONS
DISCHARGE BORE	80 mm	mm
TOTAL HEAD	8 m	m
CAPACITY	0.5 m ³ /min	m ³ /min
MOTOR OUTPUT	1.5 kW	kW
PHASE x VOLTAGE	3 ϕ x V	ϕ x V
CURRENT	A	A
POLES / REVOLUTION	2 P / S. S. 3000 min ⁻¹	P / min ⁻¹
STARTING METHOD	DIRECT ON LINE	
INSULATION CLASS	F	



DIMENSION DRAWING		No.	No.	A-10127-1
TYPE	SUBMERSIBLE GENERAL DEWATERING PUMP	MODEL		KTZ21.5 -51/61, KTZ22.2 -51/61 KTZ31.5 -51/61, KTZ32.2 -51/61

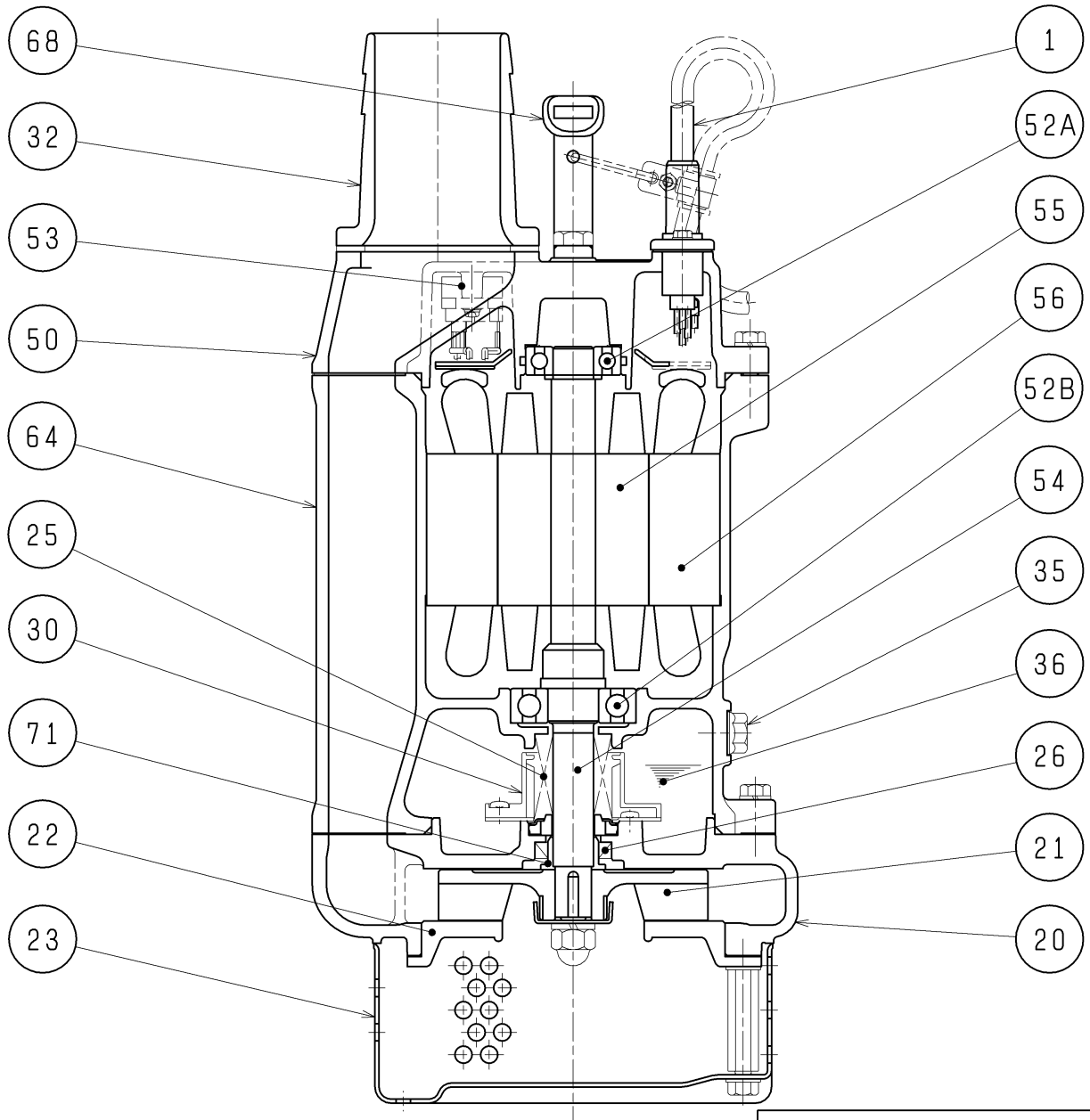


C. W. L. :Continuous Running Water Level

※excluding cable

MODEL	d	A	A1	B	B1	D	H	W1	Approximate Weight (※)
KTZ21.5-51/61	50	235	173	509	401	216	478	120	30kg
KTZ31.5-51/61	80	235	173	509	401	216	478	120	30kg
KTZ22.2-51/61	50	235	173	529	421	216	498	120	34kg
KTZ32.2-51/61	80	235	173	529	421	216	498	120	34kg

SECTIONAL DRAWING		No.	No. A-10131-4
TYPE	SUBMERSIBLE GENERAL DEWATERING PUMP	MODEL	KTZ21.5 -51/61, KTZ22.2 -51/61 KTZ31.5 -51/61, KTZ32.2 -51/61



REQ. SPECIFICATION			

※ the wetted part

No.	DESCRIPTION	QTY	MATERIAL / NOTE	No.	DESCRIPTION	QTY	MATERIAL / NOTE
1	Cable	1	PVC Sheath	52A	Upper Bearing	1	6204ZC3
20	Pump Casing	1	Gray Iron Casting	52B	Lower Bearing	1	6305ZC3
21	Impeller	1	Chromium Iron Casting	53	Motor Protector	1	
22	Suction Cover	1	Ductile Iron Casting	54	Shaft	1	Stainless Steel 420J2(※)
23	Strainer Stand	1	Steel Sheet	55	Rotor	1	
25	Mechanical Seal	1	H-20T	56	Stator Complete	1	
26	Oil Seal	1	TC25388	64	Motor Frame	1	Gray Iron Casting
30	Oil Lifter	1	Plastic	68	Handle	1	Steel Sheet & Nitrile Butadiene Rubber
32	Hose Coupling	1	Aluminium Die Casting	71	Shaft Sleeve	1	Stainless Steel 304
35	Oil Plug	1	Stainless Steel 304				
36	Lubricant		Turbine Oil (ISO VG32)				
50	Motor Bracket	1	Gray Iron Casting				