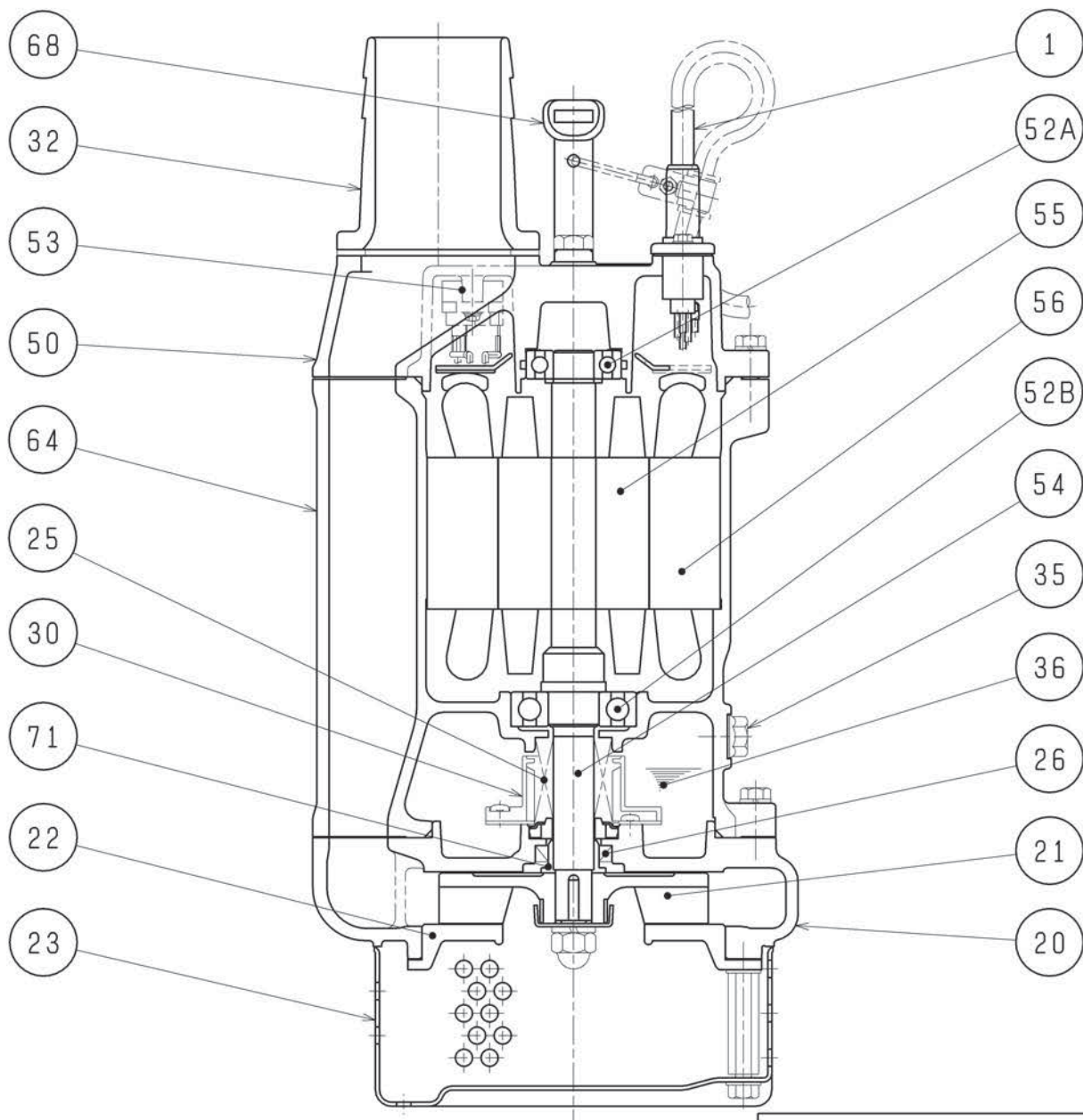


| | | | |
|-------------------|-------------------------------------|-------|--|
| SECTIONAL DRAWING | | No. | No. A-10131-4 |
| TYPE | SUBMERSIBLE GENERAL DEWATERING PUMP | MODEL | KTZ21.5 -51/61, KTZ22.2 -51/61 KTZ31.5 -51/61, KTZ32.2 -51/61 |



| REQ. SPECIFICATION | |
|--------------------|--|
| | |
| | |

※ the wetted part

| No. | DESCRIPTION | QTY | MATERIAL / NOTE | No. | DESCRIPTION | QTY | MATERIAL / NOTE |
|-----|-----------------|-----|------------------------|-----|-----------------|-----|--|
| 1 | Cable | 1 | PVC Sheath | 52A | Upper Bearing | 1 | 6204ZC3 |
| 20 | Pump Casing | 1 | Gray Iron Casting | 52B | Lower Bearing | 1 | 6305ZC3 |
| 21 | Impeller | 1 | Chromium Iron Casting | 53 | Motor Protector | 1 | |
| 22 | Suction Cover | 1 | Ductile Iron Casting | 54 | Shaft | 1 | Stainless Steel 420J2(※) |
| 23 | Strainer Stand | 1 | Steel Sheet | 55 | Rotor | 1 | |
| 25 | Mechanical Seal | 1 | H-20T | 56 | Stator Complete | 1 | |
| 26 | Oil Seal | 1 | TC25388 | 64 | Motor Frame | 1 | Gray Iron Casting |
| 30 | Oil Lifter | 1 | Plastic | 68 | Handle | 1 | Steel Sheet & Nitrile Butadiene Rubber |
| 32 | Hose Coupling | 1 | Aluminium Die Casting | 71 | Shaft Sleeve | 1 | Stainless Steel 304 |
| 35 | Oil Plug | 1 | Stainless Steel 304 | | | | |
| 36 | Lubricant | | Turbine Oil (ISO VG32) | | | | |
| 50 | Motor Bracket | 1 | Gray Iron Casting | | | | |