

PUMP PERFORMANCE CURVES

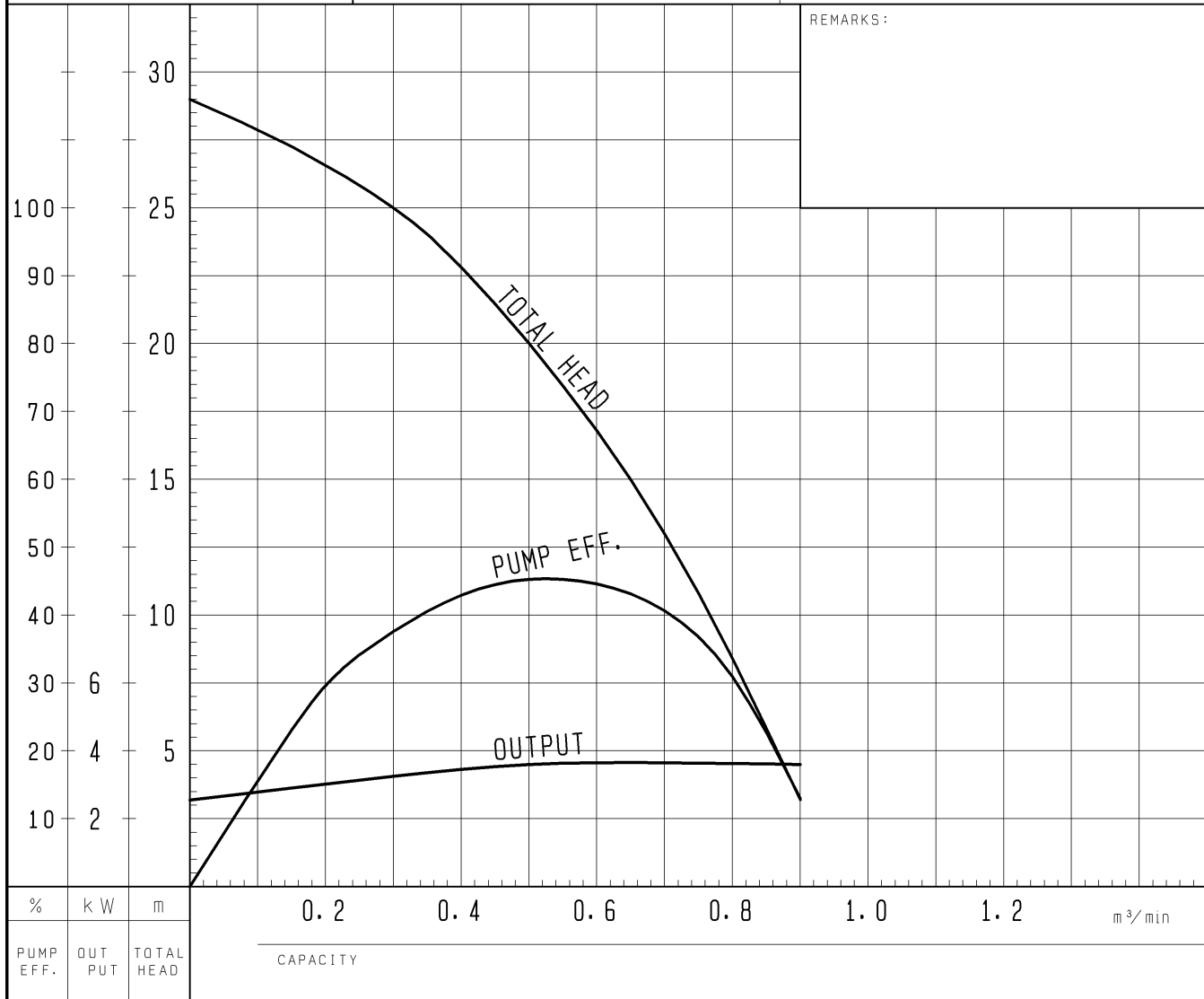
TYPE	SUBMERSIBLE GENERAL DEWATERING PUMP	MODEL	KTZ33.7 -52	FREQUENCY	50 Hz
------	-------------------------------------	-------	-------------	-----------	-------

CUSTOMER'S NAME _____

EQUIPMENT TITLE _____

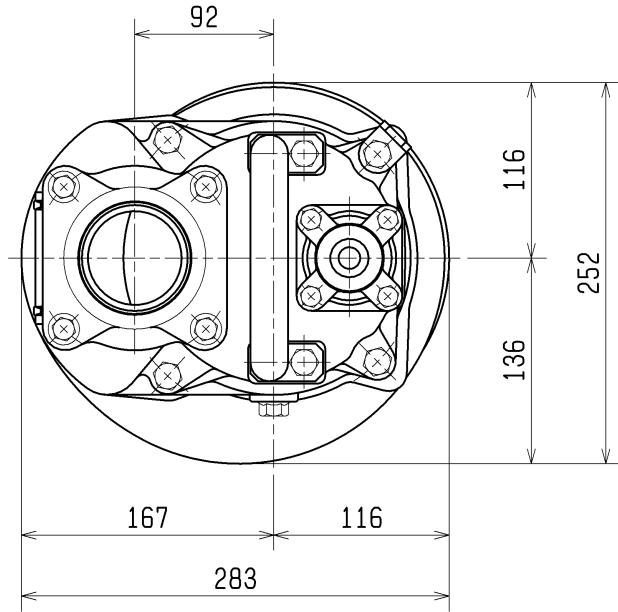
NO. _____

	STANDARD SPECIFICATIONS	REQUIRED SPECIFICATIONS
DISCHARGE BORE	80 mm	mm
TOTAL HEAD	20 m	m
CAPACITY	0.5 m ³ /min	m ³ /min
MOTOR OUTPUT	3.7 kW	kW
PHASE x VOLTAGE	3 ϕ x V	ϕ x V
CURRENT	A	A
POLES / REVOLUTION	2 P / S. S. 3000 min ⁻¹	P / min ⁻¹
STARTING METHOD	DIRECT ON LINE	
INSULATION CLASS	F	

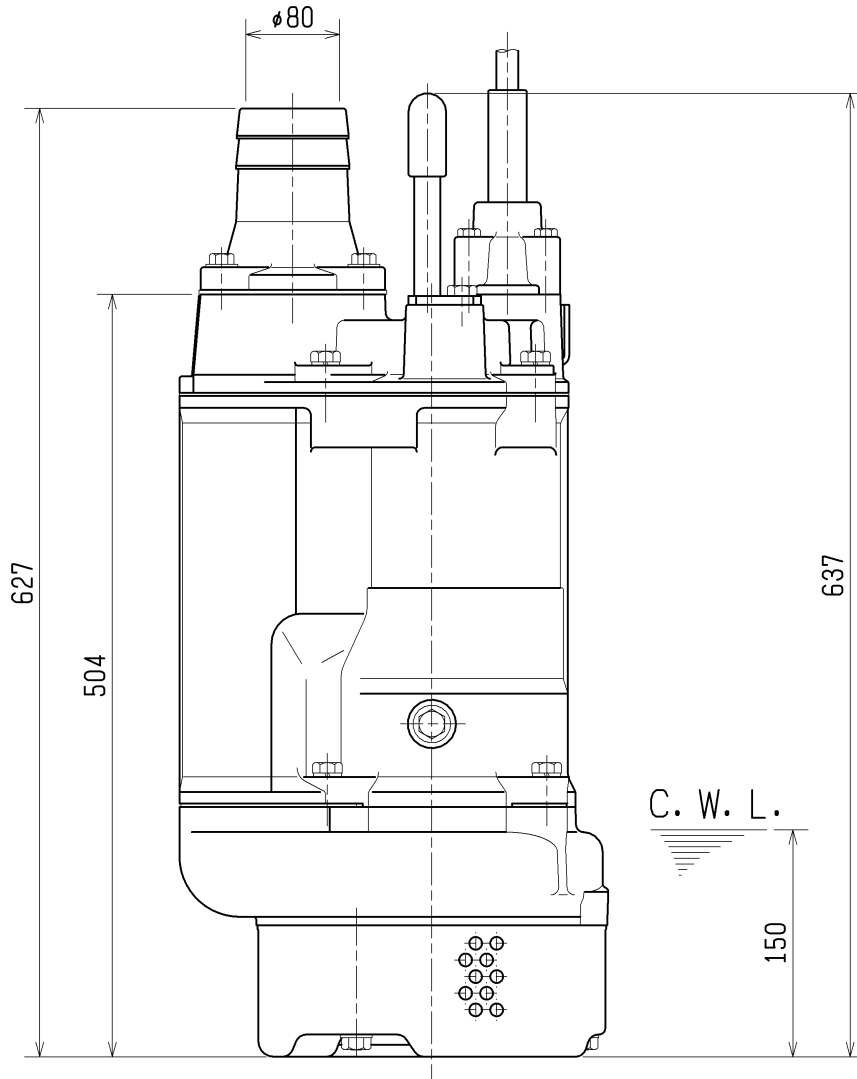


DIMENSION DRAWING		No.	No. A-12100-1
TYPE	SUBMERSIBLE GENERAL DEWATERING PUMP	MODEL	KTZ33.7 -52/62

Approximate Weight(*)
63kg
*excluding cable

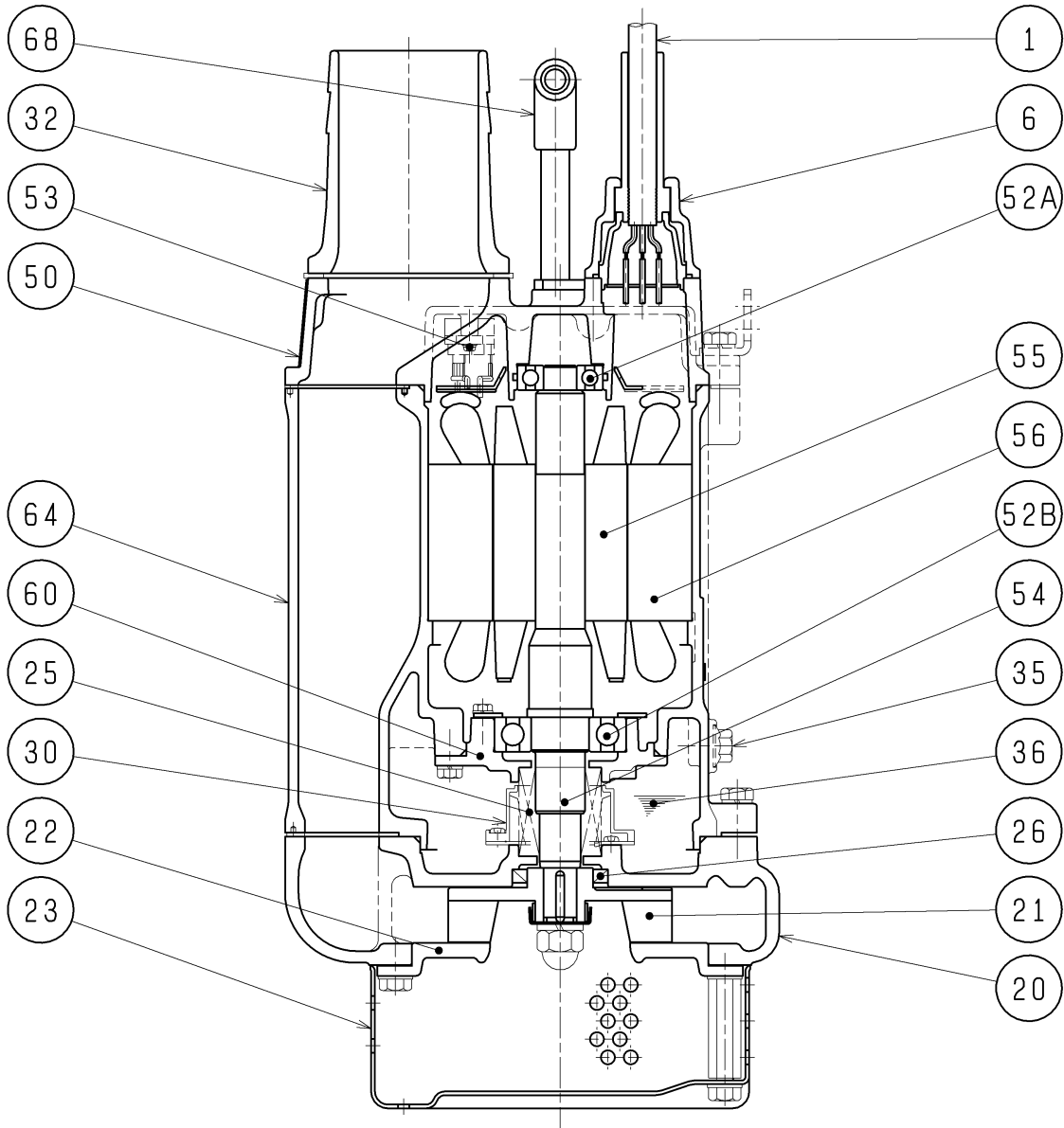


Nominal Dia.



C. W. L. :Continuous running Water Level

SECTIONAL DRAWING		No.	No. A-12102-4
TYPE	SUBMERSIBLE GENERAL DEWATERING PUMP	MODEL	KTZ23.7 -52/62, KTZ33.7 -52/62 KTZ43.7 -52/62



REQ. SPECIFICATION

※ the wetted part

No.	DESCRIPTION	Q'TY	MATERIAL / NOTE	No.	DESCRIPTION	Q'TY	MATERIAL / NOTE
1	Cable	1	Chloroprene Sheath	52A	Upper Bearing	1	6304ZCC3
6	Stuffing Box	1	Gray Iron Casting	52B	Lower Bearing	1	6307ZCC3
20	Pump Casing	1	Gray Iron Casting	53	Motor Protector	1	
21	Impeller	1	Chromium Iron Casting	54	Shaft	1	Stainless Steel 420J2(※)
22	Suction Cover	1	Ductile Iron Casting	55	Rotor	1	
23	Strainer Stand	1	Steel Sheet	56	Stator	1	
25	Mechanical Seal	1	HT-2530N	60	Bearing Housing	1	Gray Iron Casting
26	Oil Seal	1	TC40588	64	Motor Frame	1	Gray Iron Casting
30	Oil Lifter	1	Plastic	68	Handle	1	Carbon Steel Pipe & Structure Steel
32	Hose Coupling	1	Aluminium Die Casting				
35	Oil Plug	1	Stainless Steel 304				
36	Lubricant		Turbine Oil (ISO VG32)				
50	Motor Bracket	1	Gray Iron Casting				