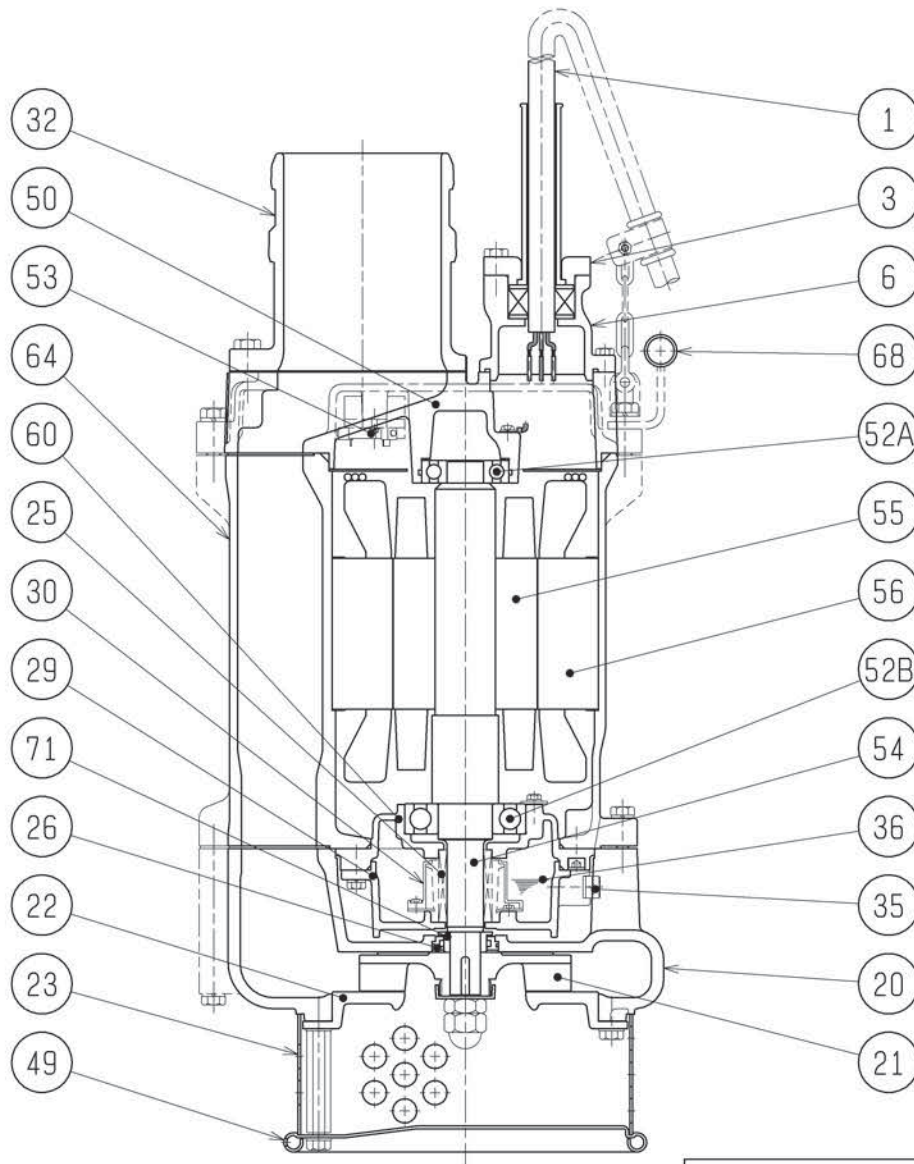


SECTIONAL DRAWING		No.	No.	A-20595-1
TYPE	SUBMERSIBLE GENERAL DEWATERING PUMP	MODEL	KTZ411	-52/62
			KTZ611	-52/62



REQ. SPECIFICATION

No.	DESCRIPTION	QTY	MATERIAL / NOTE	No.	DESCRIPTION	QTY	MATERIAL / NOTE
1	Cabtyre Cable	1	Chloroprene Sheath	49	Bottom Plate	1	Steel Sheet
3	Gland	1	Gray Iron Casting	50	Motor Bracket	1	Gray Iron Casting
6	Stuffing Box	1	Gray Iron Casting	52A	Upper Bearing	1	6306ZZC3
20	Pump Casing	1	Gray Iron Casting	52B	Lower Bearing	1	6309ZZC3
21	Impeller	1	Chromium Iron Casting	53	Motor Protector	1	
22	Suction Cover	1	Ductile Iron Casting	54	Shaft	1	Stainless Steel 420J2
23	Strainer	1	Steel Sheet	55	Rotor	1	
25	Mechanical Seal	1	H-30T	56	Stator	1	
26	Labyrinth Ring	1	Stainless Steel 304	60	Bearing Housing	1	Gray Iron Casting
29	Oil Casing	1	Gray Iron Casting	64	Motor Frame	1	Gray Iron Casting
30	Oil Lifter	1	Plastic	68	Handle	1	Carbon Steel Pipe & Structure Steel
32	Hose Coupling	1	Gray Iron Casting	71	Shaft Sleeve	1	Stainless Steel 403
35	Oil Plug	1	Stainless Steel 304				
36	Lubricant		Turbine Oil (ISO VG32)				