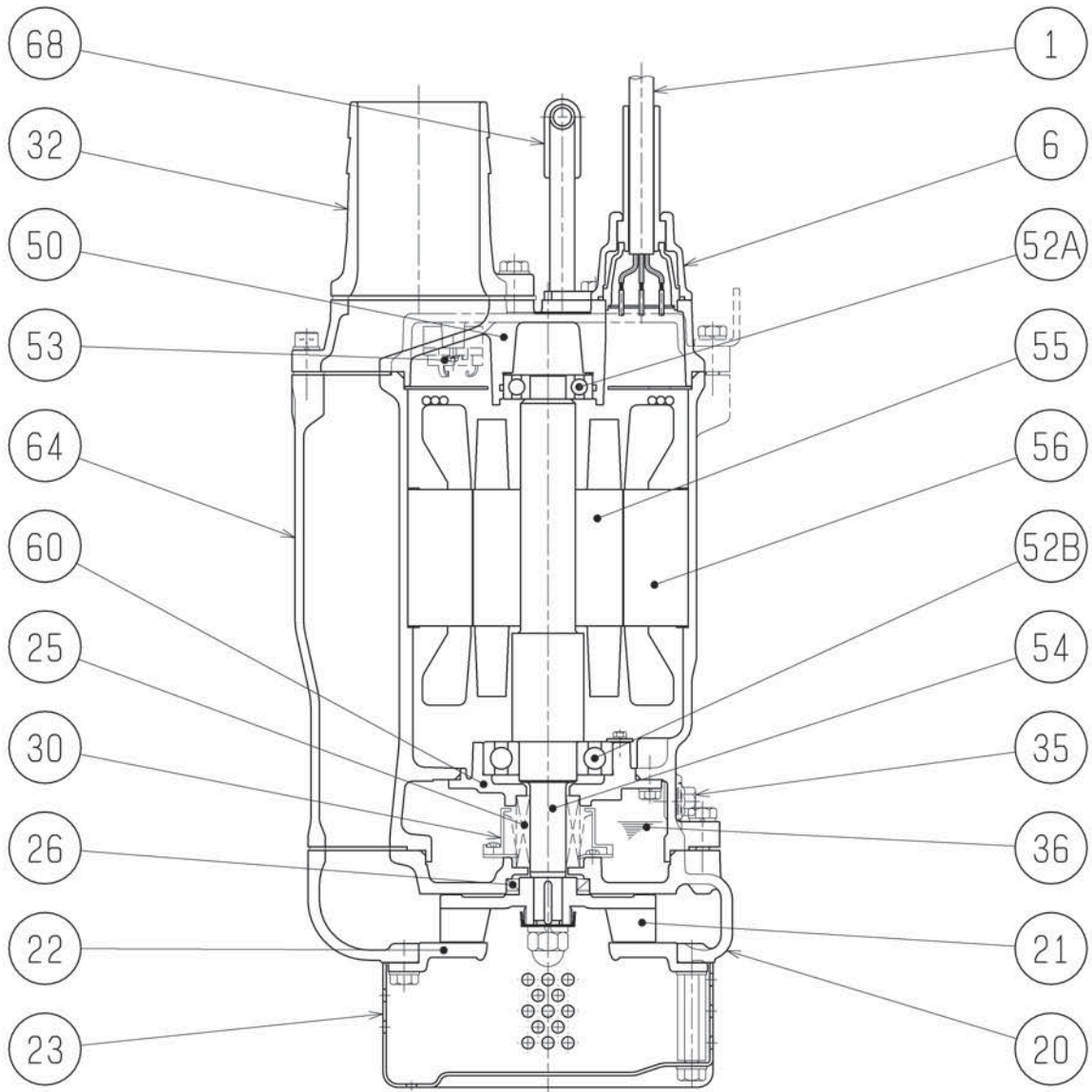


SECTIONAL DRAWING		No.	No.	A-20593-1
TYPE	SUBMERSIBLE GENERAL DEWATERING PUMP	MODEL	KTZ35.5 -52/62	KTZ45.5 -52/62



REQ. SPECIFICATION	

No.	DESCRIPTION	QTY	MATERIAL / NOTE	No.	DESCRIPTION	QTY	MATERIAL / NOTE
1	Cable	1	Chloroprene Sheath	50	Motor Bracket	1	Gray Iron Casting
6	Stuffing Box	1	Gray Iron Casting	52A	Upper Bearing	1	6305ZCC3
20	Pump Casing	1	Gray Iron Casting	52B	Lower Bearing	1	6308ZCC3
21	Impeller	1	Chromium Iron Casting	53	Motor Protector	1	
22	Suction Cover	1	Ductile Iron Casting	54	Shaft	1	Stainless Steel 420J2
23	Strainer Stand	1	Steel Plate	55	Rotor	1	
25	Mechanical Seal	1	H-25T	56	Stator	1	
26	Oil Seal	1	TC40588	60	Bearing Housing	1	Gray Iron Casting
30	Oil Lifter	1	Plastic	64	Motor Frame	1	Gray Iron Casting
32	Hose Coupling	1	Aluminium Die Casting	68	Handle	1	Carbon Steel Pipe & Structure Steel
35	Oil Plug	1	Stainless Steel 304				
36	Lubricant		Turbine Oil (ISO VG32)				