

		NO.	A-20588-1
--	--	-----	-----------

## PUMP PERFORMANCE CURVES

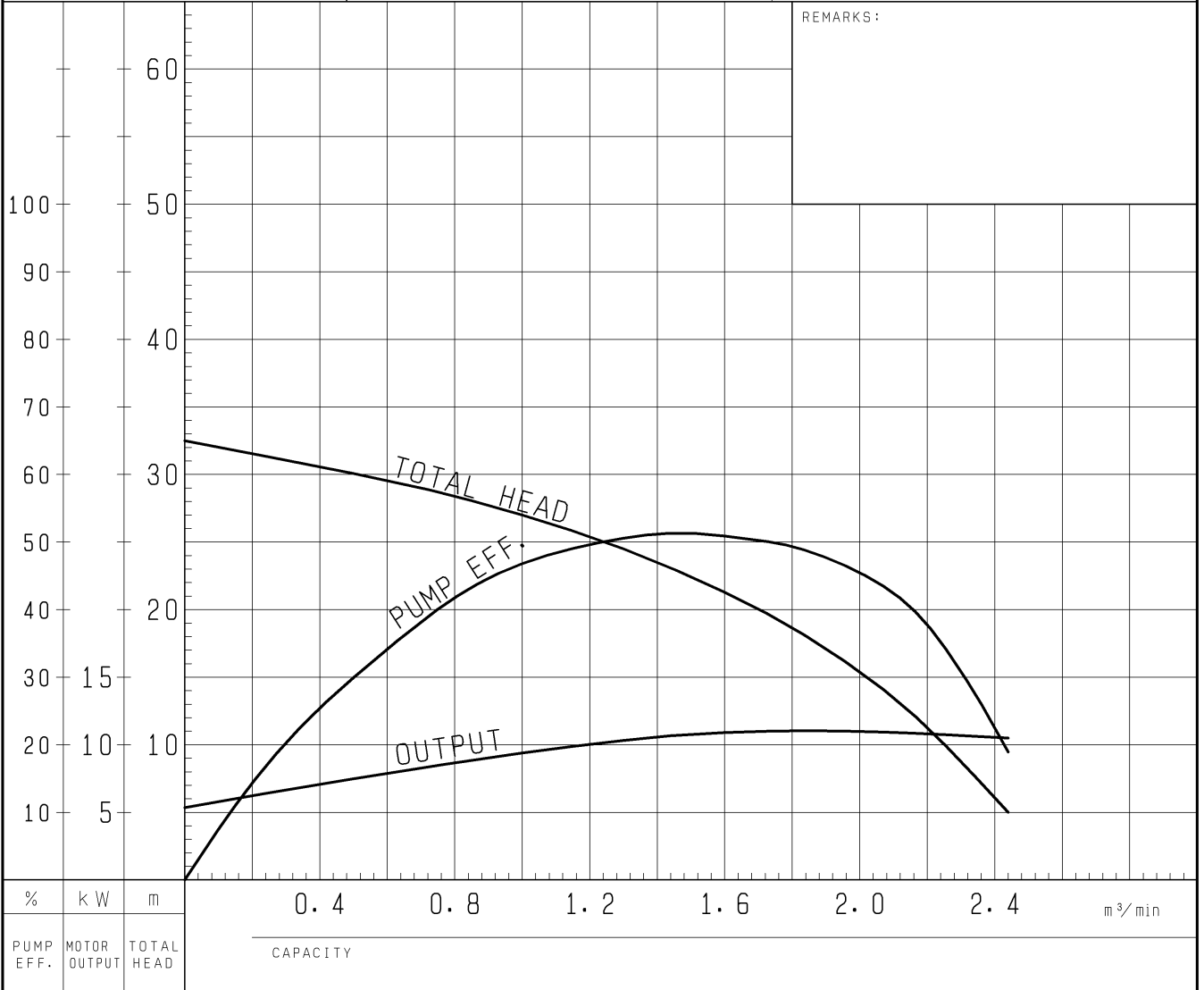
TYPE SUBMERSIBLE GENERAL DEWATERING PUMP	MODEL KTZ611 -52	FREQUENCY 50 Hz
---	---------------------	--------------------

CUSTOMER'S NAME \_\_\_\_\_

EQUIPMENT TITLE \_\_\_\_\_

NO. \_\_\_\_\_

	STANDARD SPECIFICATIONS	REQUIRED SPECIFICATIONS
DISCHARGE BORE	150 mm	mm
TOTAL HEAD	20 m	m
CAPACITY	1.7 m <sup>3</sup> /min	m <sup>3</sup> /min
MOTOR OUTPUT	11 kW	kW
PHASE x VOLTAGE	3 $\phi$ x V	$\phi$ x V
CURRENT	A	A
POLES / REVOLUTION	2 P / S. S. 3000 min <sup>-1</sup>	P / min <sup>-1</sup>
STARTING METHOD	DIRECT ON LINE	
INSULATION CLASS	F	

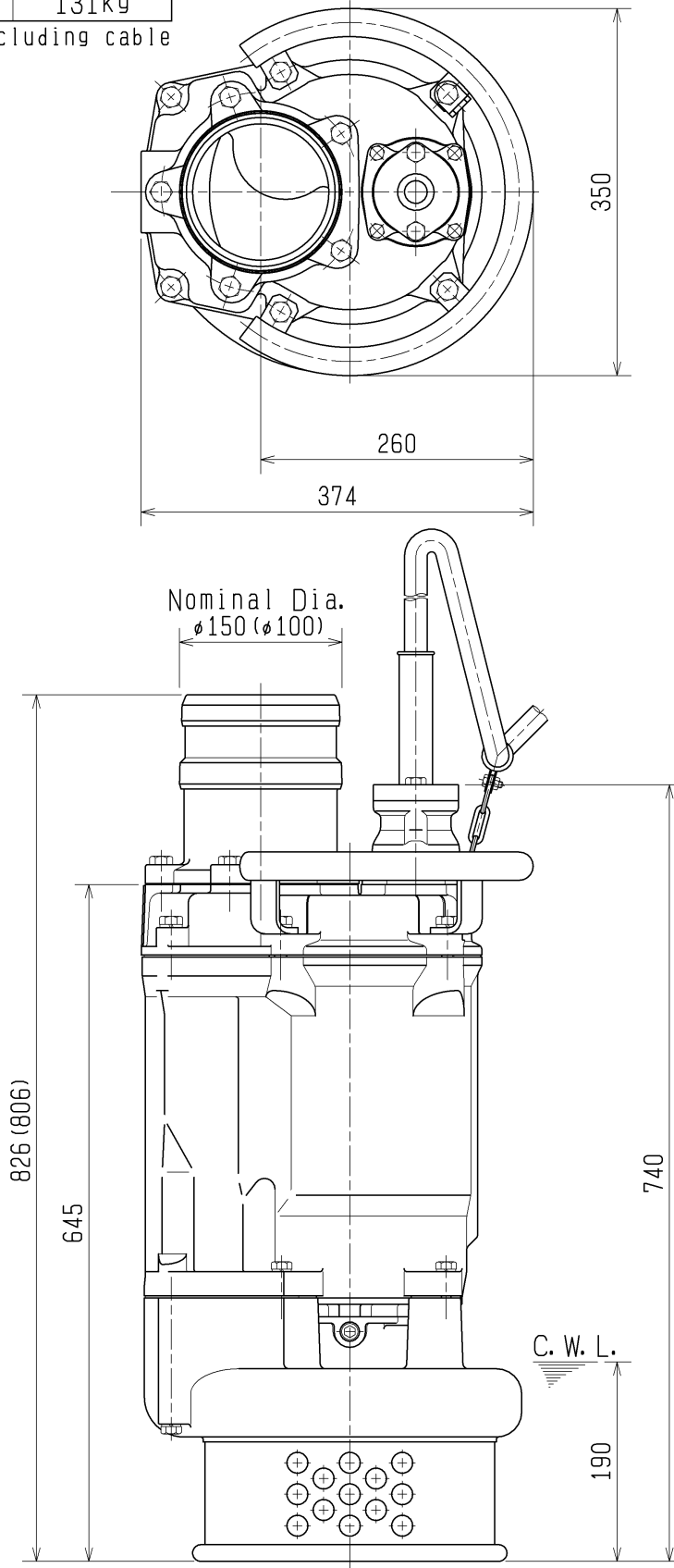


**TSURUMI MFG. CO., LTD.**

DIMENSION DRAWING		No.	No.	A-20592-1
TYPE	SUBMERSIBLE GENERAL DEWATERING PUMP	MODEL	KTZ411 -52/62	KTZ611 -52/62

MODEL	Approximate Weight (※)
KTZ411-52/62	130kg
KTZ611-52/62	131kg

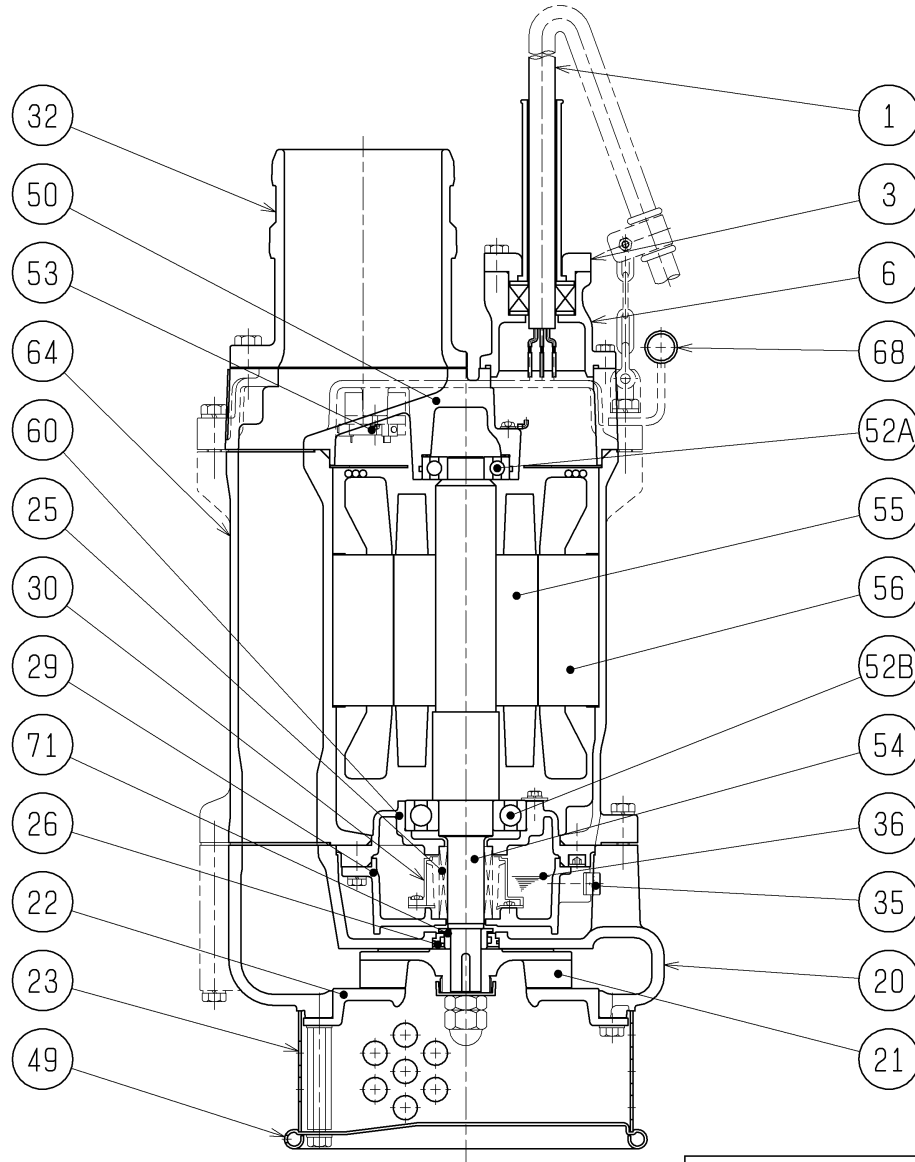
※excluding cable



The Figure in ( ) shows the dimensions of KTZ411.

C. W. L. :Continuous running Water Level

SECTIONAL DRAWING		No.	No.	A-20595-1
TYPE	SUBMERSIBLE GENERAL DEWATERING PUMP	MODEL	KTZ411	-52/62
			KTZ611	-52/62



REQ. SPECIFICATION

No.	DESCRIPTION	Q'TY	MATERIAL / NOTE	No.	DESCRIPTION	Q'TY	MATERIAL / NOTE
1	Cable	1	Chloroprene Sheath	49	Bottom Plate	1	Steel Sheet
3	Gland	1	Gray Iron Casting	50	Motor Bracket	1	Gray Iron Casting
6	Stuffing Box	1	Gray Iron Casting	52A	Upper Bearing	1	6306ZCC3
20	Pump Casing	1	Gray Iron Casting	52B	Lower Bearing	1	6309ZCC3
21	Impeller	1	Chromium Iron Casting	53	Motor Protector	1	
22	Suction Cover	1	Ductile Iron Casting	54	Shaft	1	Stainless Steel 420J2
23	Strainer	1	Steel Sheet	55	Rotor	1	
25	Mechanical Seal	1	H-30T	56	Stator	1	
26	Labyrinth Ring	1	Stainless Steel 304	60	Bearing Housing	1	Gray Iron Casting
29	Oil Casing	1	Gray Iron Casting	64	Motor Frame	1	Gray Iron Casting
30	Oil Lifter	1	Plastic	68	Handle	1	Carbon Steel Pipe & Structure Steel
32	Hose Coupling	1	Gray Iron Casting	71	Shaft Sleeve	1	Stainless Steel 403
35	Oil Plug	1	Stainless Steel 304				
36	Lubricant		Turbine Oil (ISO VG32)				