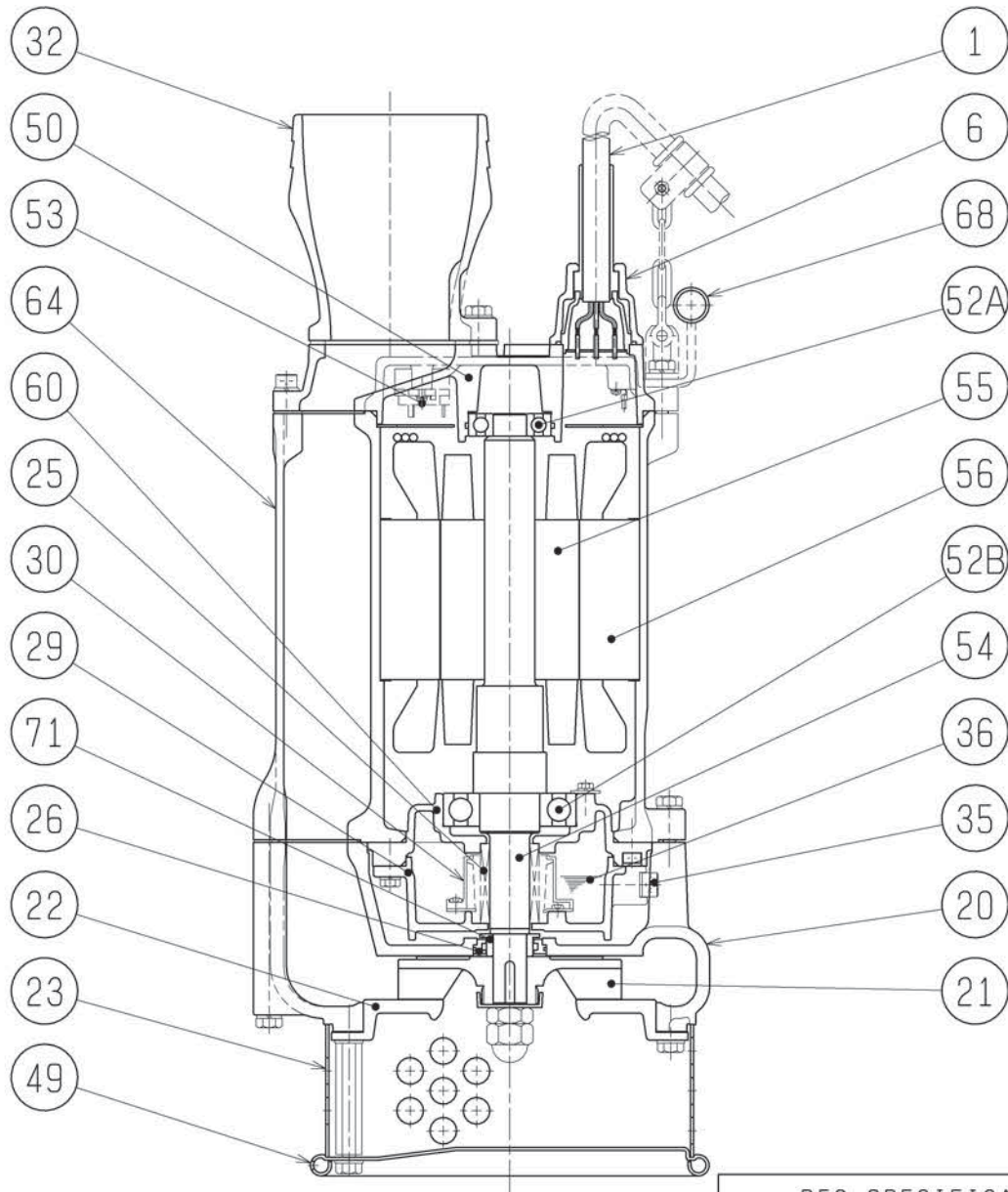


SECTIONAL DRAWING		No.	No.	A-20594-1
TYPE	SUBMERSIBLE GENERAL DEWATERING PUMP	MODEL	KTZ47.5 -52/62	KTZ67.5 -52/62



REQ. SPECIFICATION	

※1

KTZ47.5	Aluminium Die Casting
KTZ67.5	Aluminium Alloy Casting

No.	DESCRIPTION	QTY	MATERIAL / NOTE	No.	DESCRIPTION	QTY	MATERIAL / NOTE
1	Cable	1	Chloroprene Sheath	49	Bottom Plate	1	Steel Sheet
6	Stuffing Box	1	Gray Iron Casting	50	Motor Bracket	1	Gray Iron Casting
20	Pump Casing	1	Gray Iron Casting	52A	Upper Bearing	1	6305ZFC3
21	Impeller	1	Chromium Iron Casting	52B	Lower Bearing	1	6309ZFC3
22	Suction Cover	1	Ductile Iron Casting	53	Motor Protector	1	
23	Strainer	1	Steel Sheet	54	Shaft	1	Stainless Steel 420J2
25	Mechanical Seal	1	H-30T	55	Rotor	1	
26	Labyrinth Ring	1	Stainless Steel 304	56	Stator	1	
29	Oil Casing	1	Gray Iron Casting	60	Bearing Housing	1	Gray Iron Casting
30	Oil Lifter	1	Plastic	64	Motor Frame	1	Gray Iron Casting
32	Hose Coupling	1	※1	68	Handle	1	Carbon Steel Pipe & Structure Steel
35	Oil Plug	1	Stainless Steel 304	71	Shaft Sleeve	1	Stainless Steel 403
36	Lubricant		Turbine Oil (ISO VG32)				