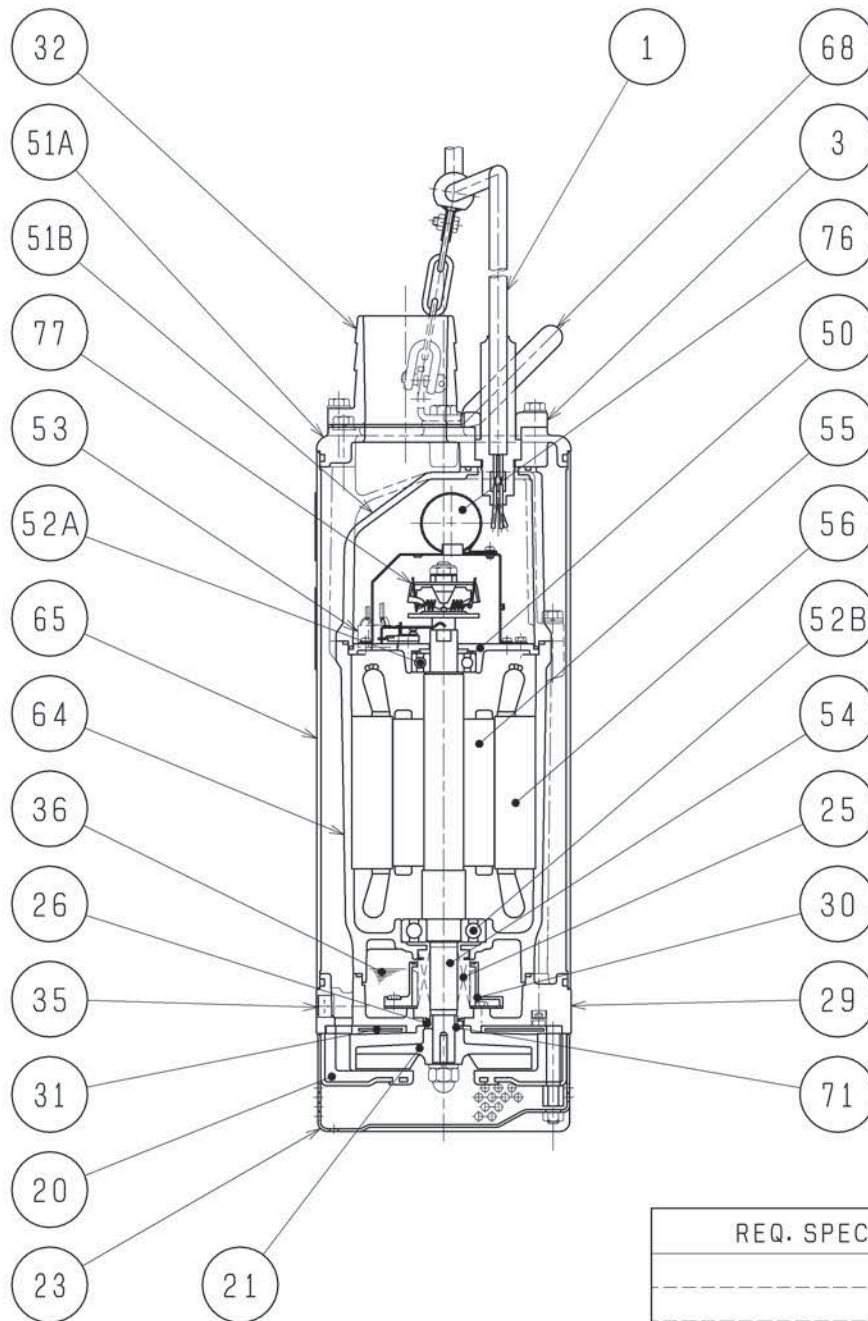


| | | | |
|-------------------|---------------------------|-------|----------------|
| SECTIONAL DRAWING | | No. | No. A-16077-3 |
| TYPE | Submersible Portable Pump | MODEL | LB-1500 -50/60 |



| REQ. SPECIFICATION | |
|--------------------|--|
| | |
| | |
| | |

※ the wetted part

| No. | DESCRIPTION | Q'TY | MATERIAL / NOTE | No. | DESCRIPTION | Q'TY | MATERIAL / NOTE |
|-----|-----------------|------|-----------------------------------|-----|--------------------|------|------------------------|
| 1 | Cabtyre Cable | 1 | Chloroprene Sheath | 51A | Head Cover | 1 | Aluminium Die Casting |
| 3 | Gland | 1 | Aluminium Die Casting | 51B | Motor Head Cover | 1 | Aluminium Die Casting |
| 20 | Pump Casing | 1 | Butadiene Rubber + Natural Rubber | 52A | Upper Bearing | 1 | 6204ZFC3 |
| 21 | Impeller | 1 | Chromium Iron Casting | 52B | Lower Bearing | 1 | 6305ZFC3 |
| 23 | Strainer Stand | 1 | Steel Sheet | 53 | Motor Protector | 1 | |
| 25 | Mechanical Seal | 1 | H-20T | 54 | Shaft | 1 | Stainless Steel 403(※) |
| 26 | V-ring | 1 | Nitrile Butadien Rubber | 55 | Rotor | 1 | |
| 29 | Oil Casing | 1 | Gray Iron Casting | 56 | Stator | 1 | |
| 30 | Oil Lifter | 1 | Plastic | 64 | Motor Frame | 1 | Aluminium Die Casting |
| 31 | Wearing Plate | 1 | Butadiene Rubber + Natural Rubber | 65 | Outer Cover | 1 | Steel Sheet |
| 32 | Hose Coupling | 1 | Aluminium Die Casting | 68 | Handle | 1 | Carbon Steel Pipe |
| 35 | Oil Plug | 1 | Stainless Steel 304 | 71 | Shaft Sleeve | 1 | Stainless Steel 304 |
| 36 | Lubricant | | Turbine Oil (ISO VG32) | 76 | Capacitor | 1 | |
| 50 | Motor Bracket | 1 | Aluminium Die Casting | 77 | Centrifugal Switch | 1 | |