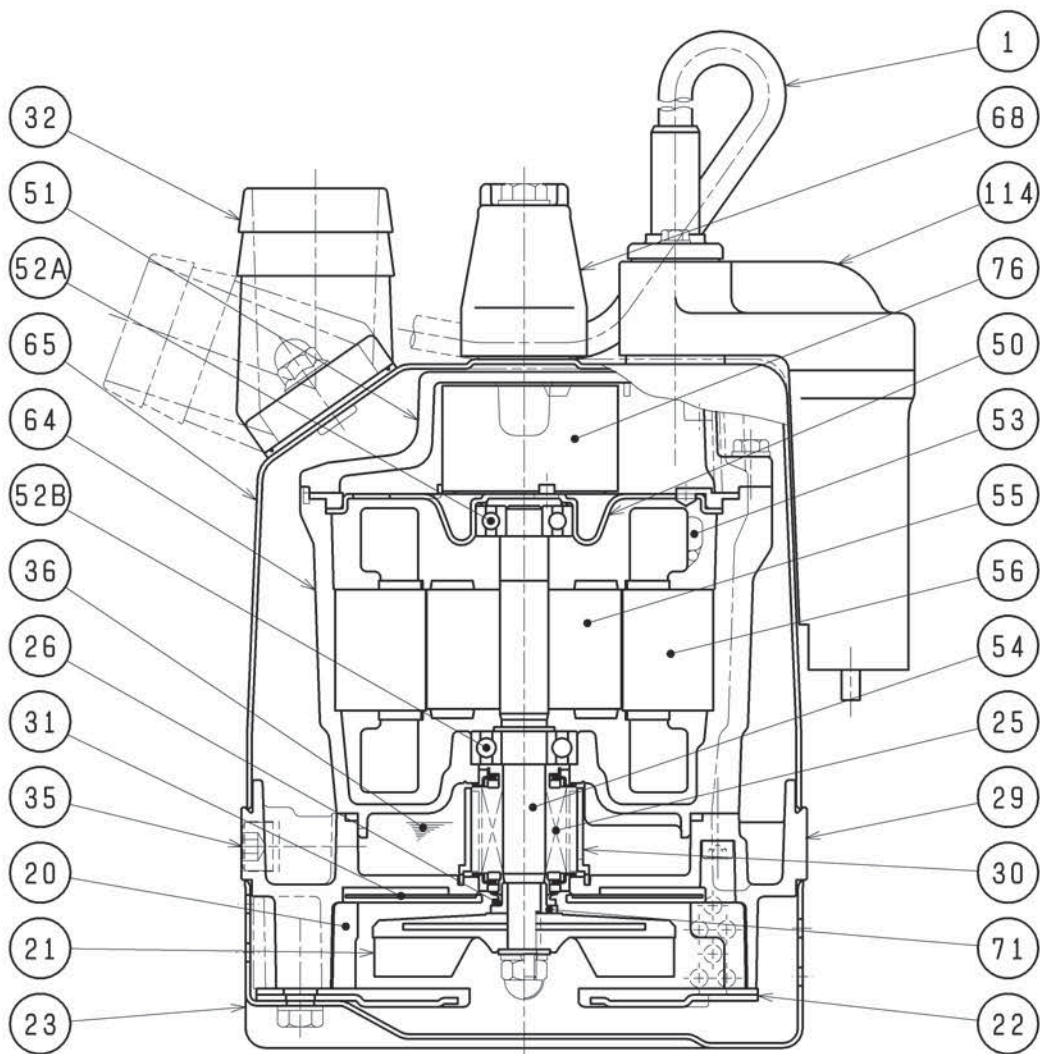


SECTIONAL DRAWING		No.	No. A-11889-4
TYPE Submersible General Dewatering Portable Pump (Automatic)	MODEL	LB-480A -52/62	



REQ. SPECIFICATION	

No.	DESCRIPTION	QTY	MATERIAL / NOTE	No.	DESCRIPTION	QTY	MATERIAL / NOTE
1	Cabtyre Cable	1	PVC Sheath	52A	Upper Bearing	1	6201ZZC3
20	Pump Casing	1	Ethylene Propylene Rubber	52B	Lower Bearing	1	6202ZZC3
21	Impeller	1	Urethane Rubber	53	Motor Protector	1	
22	Suction Cover	1	Steel Plate + Urethane Rubber	54	Shaft	1	Stainless Steel 403
23	Strainer Stand	1	Steel Sheet	55	Rotor	1	
25	Mechanical Seal	1	W-14VC	56	Stator	1	
26	V-ring	1	Nitrile Butadien Rubber	64	Motor Frame	1	Aluminium Die Casting
29	Oil Casing	1	Aluminium Die Casting	65	Outer Cover	1	Steel Sheet
30	Oil Lifter	1	Plastic	68	Handle	1	Plastic
31	Wearing Plate	1	Urethane Rubber	71	Shaft Sleeve	1	Stainless Steel 304
32	Hose Coupling	1	Aluminium Die Casting	76	Capacitor	1	
35	Oil Plug	1	Stainless Steel 304	114	Relay Unit	1	Styrene Butadien Rubber
36	Lubricant		Turbine Oil (ISO VG32)				
50	Motor Bracket	1	Steel Sheet				
51	Motor Head Cover	1	Aluminium Die Casting				