

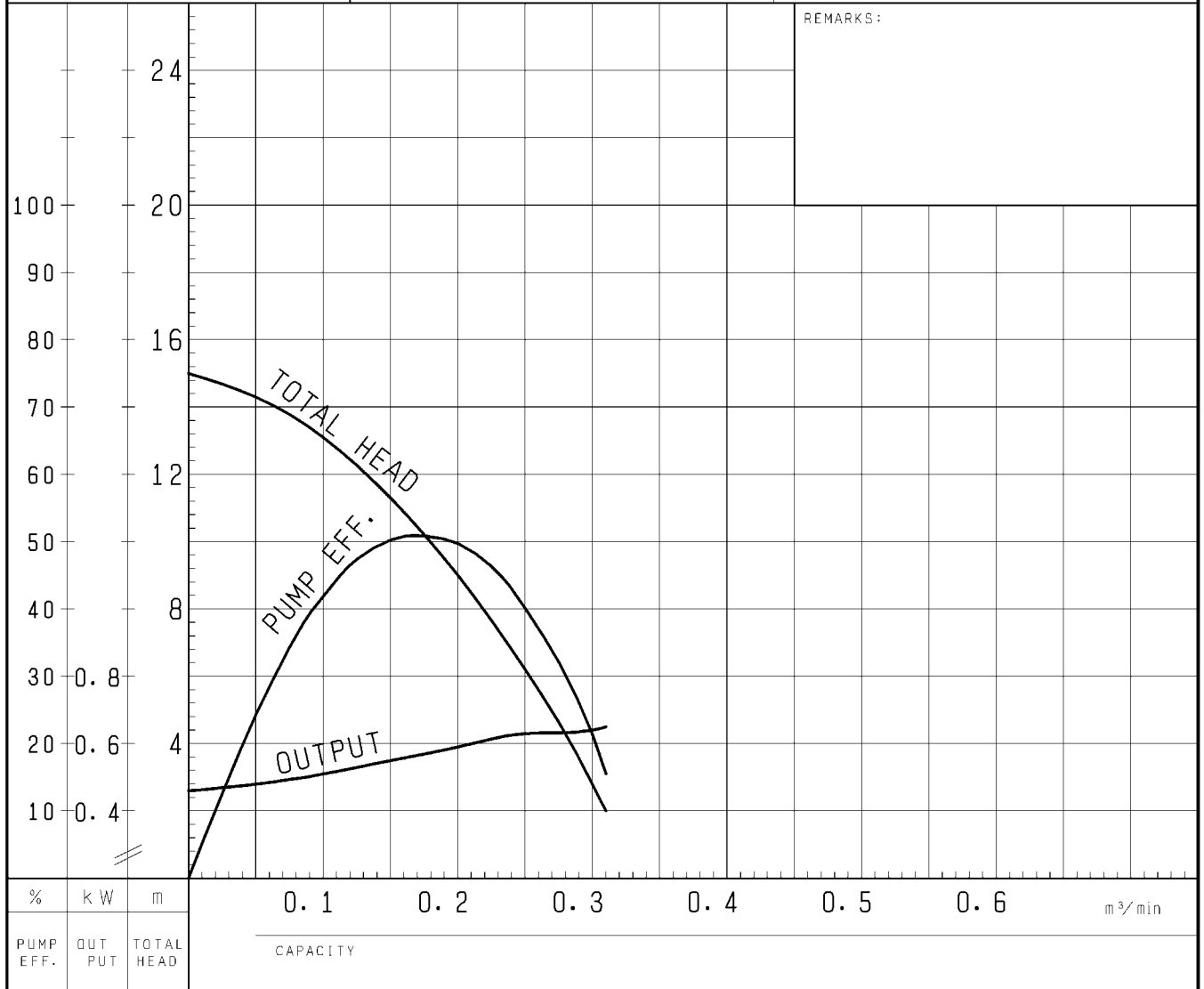
PUMP PERFORMANCE CURVES

| | | |
|-----------------------------------|------------------------------------|--------------------|
| TYPE Submersible Portable Pump | MODEL LB-800 -51 LB-800A -51 | FREQUENCY 50 Hz |
|-----------------------------------|------------------------------------|--------------------|

CUSTOMER'S NAME _____

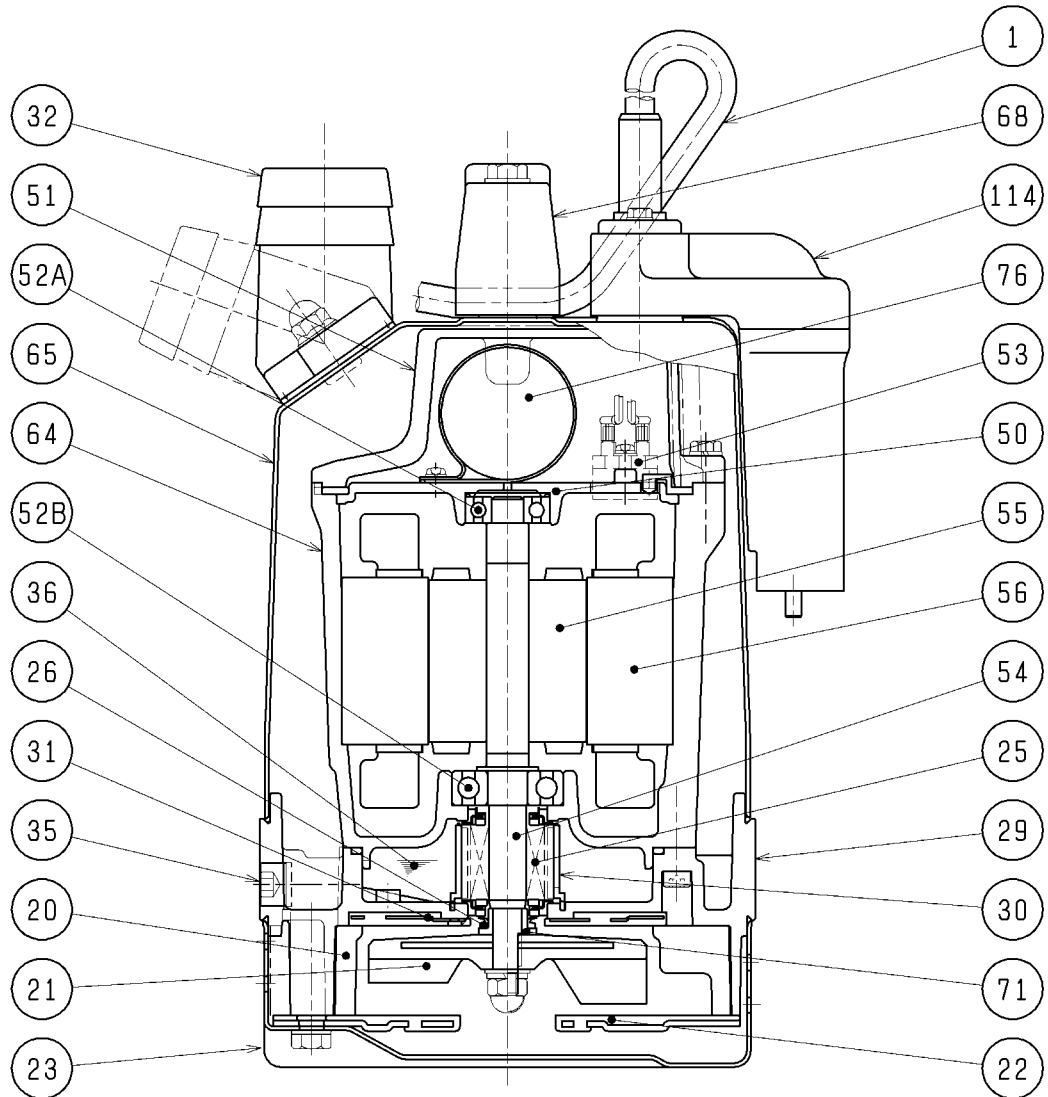
EQUIPMENT TITLE _____ NO. _____

| | STANDARD SPECIFICATIONS | REQUIRED SPECIFICATIONS |
|--------------------|------------------------------------|-------------------------|
| DISCHARGE BORE | 50/80 mm | mm |
| TOTAL HEAD | Max. 15 m | m |
| CAPACITY | Max. 0.31 m ³ /min | m ³ /min |
| MOTOR OUTPUT | 0.75 kW | kW |
| PHASE x VOLTAGE | 1 ϕ x V | ϕ x V |
| CURRENT | A | A |
| POLES / REVOLUTION | 2 P / s. s. 3000 min ⁻¹ | P / min ⁻¹ |
| STARTING METHOD | CAPACITOR MOTOR | |
| INSULATION CLASS | E | |



TSURUMI MFG. CO., LTD.

| | | | |
|--------------------------|--|-------|----------------|
| SECTIONAL DRAWING | | No. | No. A-16096-1 |
| TYPE | Submersible Portable Pump (Automatic) | MODEL | LB-800A -51/61 |



| REQ. SPECIFICATION | |
|--------------------|--|
| | |
| | |

| No. | DESCRIPTION | QTY | MATERIAL / NOTE | No. | DESCRIPTION | QTY | MATERIAL / NOTE |
|-----|------------------|-----|-----------------------------------|-----|-----------------|-----|-------------------------|
| 1 | Cabtyre Cable | 1 | PVC Sheath | 52A | Upper Bearing | 1 | 6201ZZC3 |
| 20 | Pump Casing | 1 | Butadiene Rubber + Natural Rubber | 52B | Lower Bearing | 1 | 6302ZZC3 |
| 21 | Impeller | 1 | Urethane Rubber | 53 | Motor Protector | 1 | |
| 22 | Suction Cover | 1 | Steel Plate + Urethane Rubber | 54 | Shaft | 1 | Stainless Steel 403 |
| 23 | Strainer Stand | 1 | Steel Sheet | 55 | Rotor | 1 | |
| 25 | Mechanical Seal | 1 | W-14VC | 56 | Stator | 1 | |
| 26 | V-ring | 1 | Nitrile Butadien Rubber | 64 | Motor Frame | 1 | Aluminium Die Casting |
| 29 | Oil Casing | 1 | Aluminium Die Casting | 65 | Outer Cover | 1 | Steel Sheet |
| 30 | Oil Lifter | 1 | Plastic | 68 | Handle | 1 | Plastic |
| 31 | Wearing Plate | 1 | Urethane Rubber | 71 | Shaft Sleeve | 1 | Stainless Steel 304 |
| 32 | Hose Coupling | 1 | Aluminium Die Casting | 76 | Capacitor | 1 | |
| 35 | Oil Plug | 1 | Stainless Steel 304 | 114 | Relay Unit | 1 | Styrene Butadien Rubber |
| 36 | Lubricant | | Turbine Oil (ISO VG32) | | | | |
| 50 | Motor Bracket | 1 | Aluminium Die Casting | | | | |
| 51 | Motor Head Cover | 1 | Aluminium Die Casting | | | | |

| | | | |
|--------------------------|--|-------|----------------|
| DIMENSION DRAWING | | No. | No. A-16092-1 |
| TYPE | Submersible Portable Pump (Automatic) | MODEL | LB-800A -51/61 |

Approximate
Weight (※)
13.8kg
※excluding cable

