

## PUMP PERFORMANCE CURVES

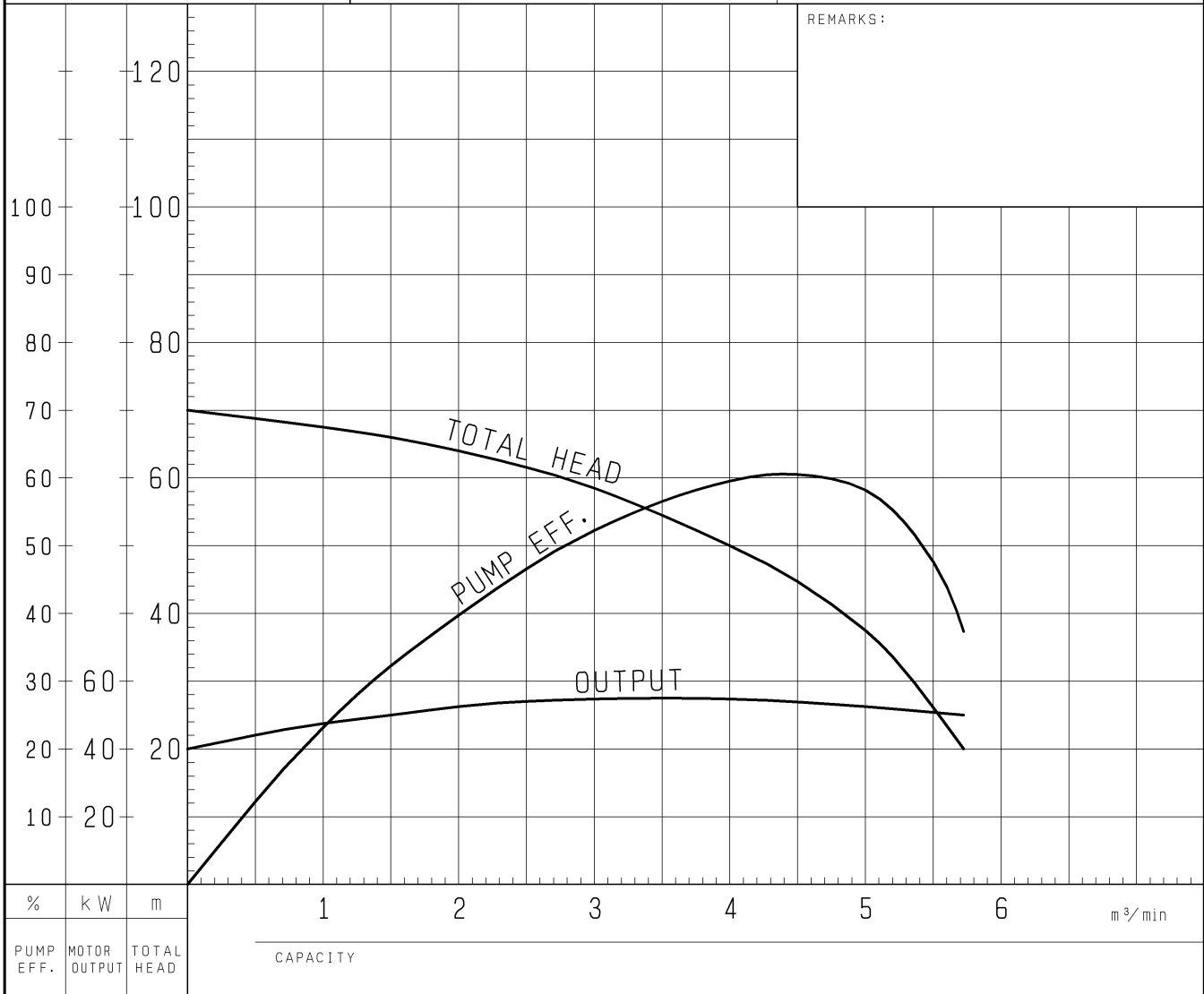
TYPE SUBMERSIBLE GENERAL DEWATERING PUMP (HIGH HEAD)	MODEL LH855 -51	FREQUENCY 50 Hz
--	--------------------	--------------------

CUSTOMER'S NAME

EQUIPMENT TITLE

NO.

	STANDARD SPECIFICATIONS	REQUIRED SPECIFICATIONS
DISCHARGE BORE	200 mm	mm
TOTAL HEAD	50 m	m
CAPACITY	4 m <sup>3</sup> /min	m <sup>3</sup> /min
MOTOR OUTPUT	55 kW	kW
PHASE x VOLTAGE	3 $\phi$ x V	$\phi$ x V
CURRENT	A	A
POLES / REVOLUTION	2 P / s. s. 3000 min <sup>-1</sup>	P / min <sup>-1</sup>
STARTING METHOD	STAR DELTA	
INSULATION CLASS	F	

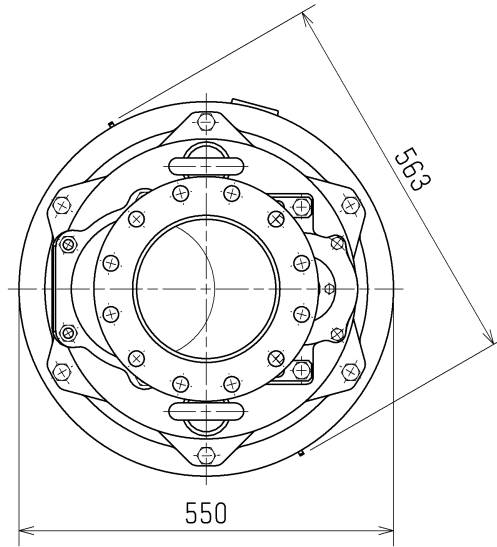


%	kW	m	
PUMP EFF.	MOTOR OUTPUT	TOTAL HEAD	CAPACITY

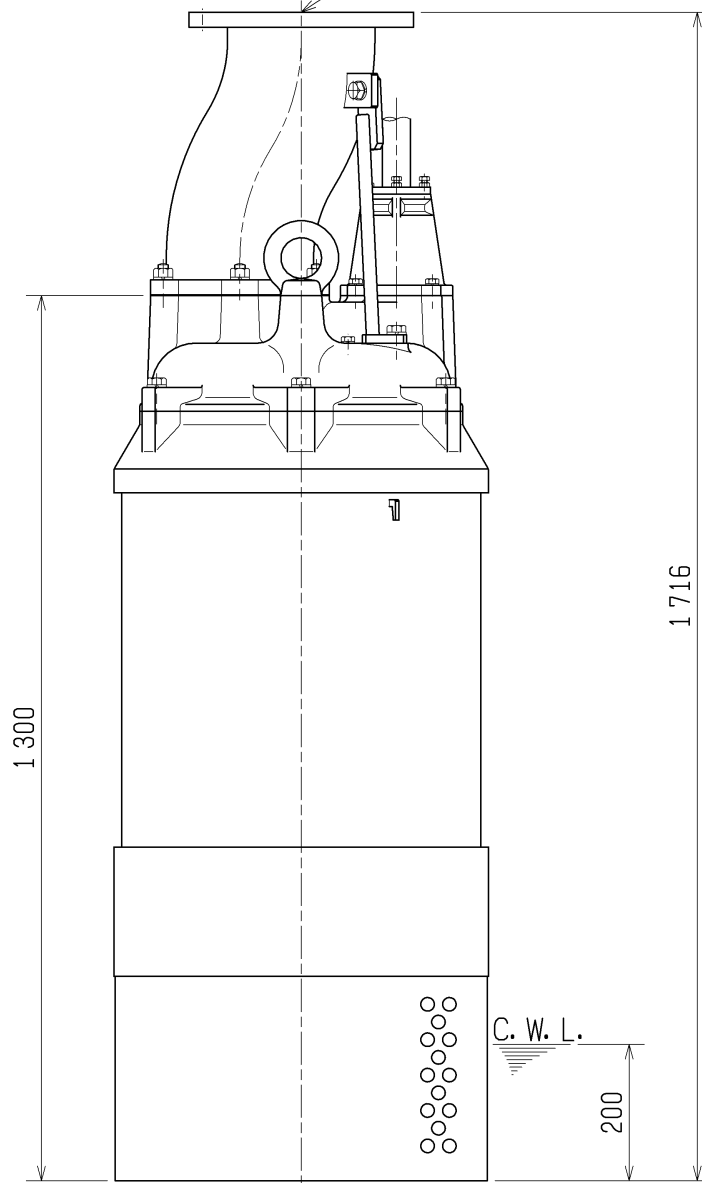
DIMENSION DRAWING		No.	No.	A-17766-2
TYPE	SUBMERSIBLE GENERAL DEWATERING PUMP (HIGH HEAD)	MODEL	LH855 -51/61 LH875 -51/61	

MODEL	Approximate Weight (※)
LH855-51/61	820kg
LH875-51/61	865kg

※excluding cable

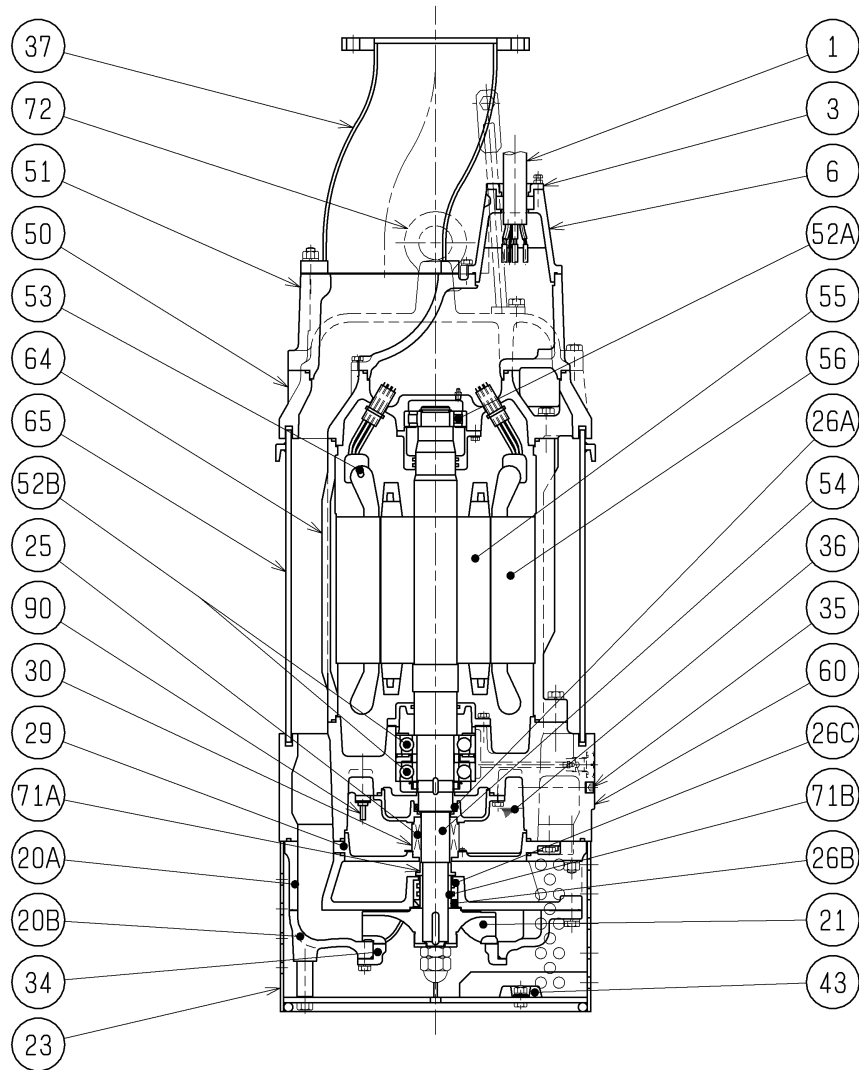


JIS10K Flange  
Nominal Dia.  $\phi 200$



C. W. L. : Continuous Running Water Level

<b>SECTIONAL DRAWING</b>		No.	No.	A-17768-1
TYPE	SUBMERSIBLE GENERAL DEWATERING PUMP (HIGH HEAD)	MODEL	LH855 -51/61 LH875 -51/61	



REQ. SPECIFICATION

No.	DESCRIPTION	QTY	MATERIAL / NOTE	No.	DESCRIPTION	QTY	MATERIAL / NOTE
1	Cable	1	Chloroprene Sheath	50	Motor Bracket	1	Gray Iron Casting
3	Gland	1	Gray Iron Casting	51	Head Cover	1	Gray Iron Casting
6	Stuffing Box	1	Gray Iron Casting	52A	Upper Bearing	1	NU310C3
20A	Upper Pump Casing	1	Gray Iron Casting	52B	Lower Bearing	1	7313ATDBC3
20B	Lower Pump Casing	1	Gray Iron Casting	53	Motor Protector	3	
21	Impeller	1	Chromium Iron Casting	54	Shaft	1	Stainless Steel 420J2
23	Strainer Stand	1	Structure Steel	55	Rotor	1	
25	Mechanical Seal	1	H-50T	56	Stator	1	
26A	Oil Seal	1	TC60759	60	Bearing Housing	1	Gray Iron Casting
26B	Oil Seal	1	TCN557812	64	Motor Frame	1	Gray Iron Casting
26C	Labyrinth Ring	1	Stainless Steel 304	65	Outer Cover	1	Structure Steel
29	Oil Casing	1	Gray Iron Casting	71A	Upper Shaft Sleeve	1	Stainless Steel 403
30	Oil Lifter	1	Steel Sheet	71B	Lower Shaft Sleeve	1	Stainless Steel 403
34	Suction Mouth	1	Chromium Iron Casting	72	Eyebolt	2	Structure Steel
35	Oil Plug	2	Stainless Steel 304	90	Leakage Sensor Electrode	1	Stainless Steel
36	Lubricant		Turbine Oil (ISO VG32)				
37	Discharge Pipe	1	Structure Steel and Carbon Steel Pipe				
43	Cathodic Protection Plate	3	Aluminium Alloy				