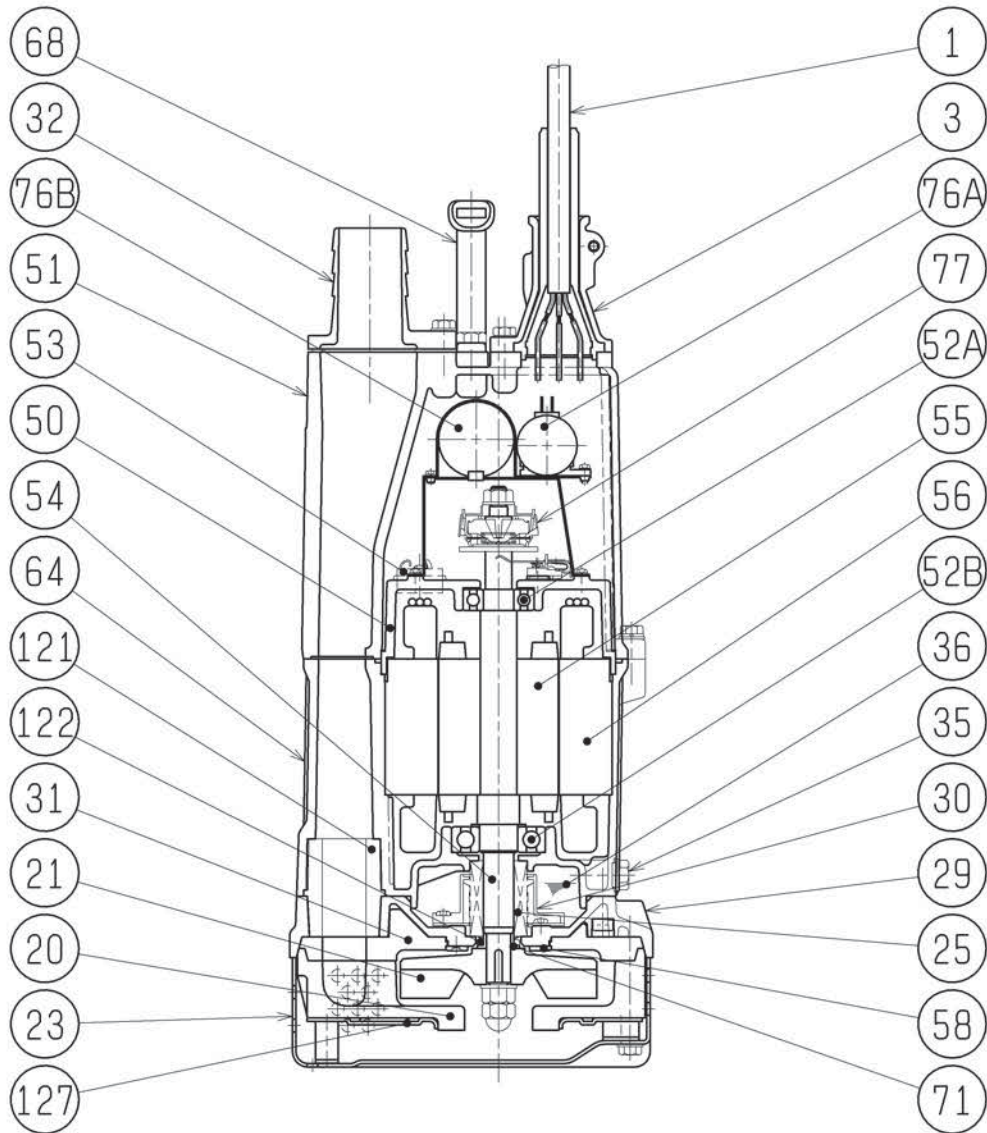


SECTIONAL DRAWING		No.	No. A-20634-2
TYPE	SUBMERSIBLE GENERAL DEWATERING TORQUE FLOW PUMP	MODEL	NK2-22



REQ. SPECIFICATION	

No.	DESCRIPTION	QTY	MATERIAL / NOTE	No.	DESCRIPTION	QTY	MATERIAL / NOTE
1	Cabtyre Cable	1	Chloroprene Sheath	53	Motor Protector	1	
3	Stuffing Box	1	Aluminium Die Casting	54	Shaft	1	Stainless Steel 403
20	Pump Casing	1	Butadiene Rubber + Natural Rubber	55	Rotor	1	
21	Impeller	1	Ductile Iron Casting	56	Stator	1	
23	Strainer	1	Steel Sheet	58	Protection Plate	1	Stainless Steel 304
25	Mechanical Seal	1	H-20T	64	Motor Frame	1	Aluminium Die Casting
29	Oil Casing	1	Aluminium Die Casting	68	Handle	1	Steel Sheet & Rubber
30	Oil Lifter	1	Plastic	71	Shaft Sleeve	1	Stainless Steel 304
31	Rear Liner	1	Butadiene Rubber	76A	Capacitor	1	
32	Hose Coupling	1	Aluminium Die Casting	76B	Capacitor	1	
35	Oil Plug	1	Stainless Steel 304	77	Centrifugal Switch	1	
36	Lubricant		Turbine Oil (ISO VG32)	121	Packing	1	Styrene Butadiene Rubber
50	Motor Bracket	1	Gray Iron Casting	122	V-ring	1	Nitrile Butadiene Rubber
51	Head Cover	1	Aluminium Die Casting	127	Fittings	1	Steel Sheet
52A	Upper Bearing	1	6204ZZC3				
52B	Lower Bearing	1	6305ZZC3				