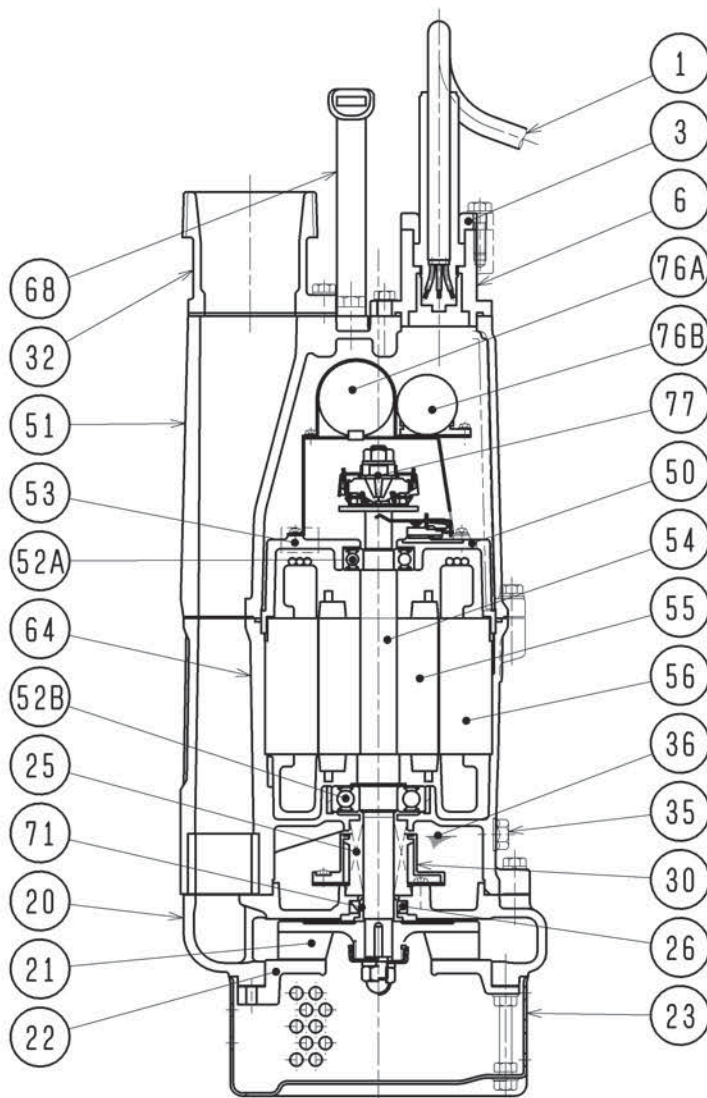


SECTIONAL DRAWING		No.	No. J4-35295-1
TYPE	SUBMERSIBLE PUMP	MODEL	NK2-22L



REQ. SPECIFICATION	

No.	DESCRIPTION	Q <sup>r</sup> TY	MATERIAL / NOTE	No.	DESCRIPTION	Q <sup>r</sup> TY	MATERIAL / NOTE
1	Cable	1	H07RN-F 3G 2.5mm <sup>2</sup> ×20m	51	Motor Head Cover	1	Aluminium Alloy Casting
3	Gland	1	Aluminium Die Casting	52A	Upper Bearing	1	6204ZC3
6	Stuffing Box	1	Aluminium Alloy Casting	52B	Lower Bearing	1	6305ZC3
20	Pump Casing	1	Gray Iron Casting	53	Motor Protector	1	
21	Impeller	1	Chromium Iron Casting	54	Shaft	1	Stainless Steel 420J2
22	Suction Cover	1	Ductile Iron Casting	55	Rotor	1	
23	Strainer Stand	1	Steel Plate	56	Stator Complate	1	
25	Mechanical Seal	1	H-20T	64	Motor Frame	1	Aluminium Alloy Casting
26	Oil Seal	1	TC25388	68	Handle	1	Steel Plate & Rubber
30	Oil Lifter	1	Plastic	71	Shaft Sleeve	1	Stainless Steel 304
32	Hose Coupling	1	Gray Iron Casting	76A	Capacitor	1	
35	Oil Plug	1	Stainless Steel 304	76B	Capacitor	1	
36	Lubricant		Turbine Oil (ISO VG32)	77	Centrifugal Switch	1	
50	Motor Bracket	1	Gray Iron Casting				